

US00D822939S

(12) **United States Design Patent** (10) **Patent No.:** **US D822,939 S**  
**Rabu** (45) **Date of Patent:** **\*\* Jul. 10, 2018**

(54) **WINCH HANDLE**

D374,535 S \* 10/1996 Feider ..... D13/168  
D709,102 S \* 7/2014 Tokuda ..... D15/28  
D760,057 S \* 6/2016 Bertani ..... D8/309  
2018/0016123 A1\* 1/2018 Bruno ..... B66D 1/7478

(71) Applicant: **CHRYSADDEV**, Villeurbanne (FR)

(72) Inventor: **Bruno Rabu**, Villeurbanne (FR)

(\*\*) Term: **15 Years**

(21) Appl. No.: **35/503,118**

(22) Filed: **May 19, 2017**

(80) **Hague Agreement Data**

Int. Filing Date: **May 19, 2017**

Int. Reg. No.: **DM/096189**

Int. Reg. Date: **May 19, 2017**

Int. Reg. Pub. Date: **Jun. 9, 2017**

(51) **LOC (11) Cl.** ..... **12-05**

(52) **U.S. Cl.**  
USPC ..... **D34/35**

(58) **Field of Classification Search**  
USPC ..... D34/33, 35; D8/309  
CPC ..... B66D 1/7478; B66D 1/12  
See application file for complete search history.

(56) **References Cited**

**U.S. PATENT DOCUMENTS**

D231,741 S \* 6/1974 Tompkins ..... D12/174  
D305,544 S \* 1/1990 Ganter ..... 74/557  
D346,739 S \* 5/1994 Tinz ..... D15/142  
D369,965 S \* 5/1996 Decursu ..... D8/308  
D373,299 S \* 9/1996 Hall ..... D8/309

**FOREIGN PATENT DOCUMENTS**

FR 2 833 252 \* 6/2003  
FR 2 848 201 \* 6/2004  
WO WO 94/03390 \* 2/1994 ..... B66D 1/12

**OTHER PUBLICATIONS**

“L’ewincher, la manivelle de winch électrique et connectée”, by R. Yhuel, dated Oct. 31, 2016. 3 pages. Found online May 2, 2018 at <https://mersebateaux.com/lewincher-manivelle-de-winch-electrique-connecte/> (Year: 2016).\*

\* cited by examiner

*Primary Examiner* — Robert Middleton Spear

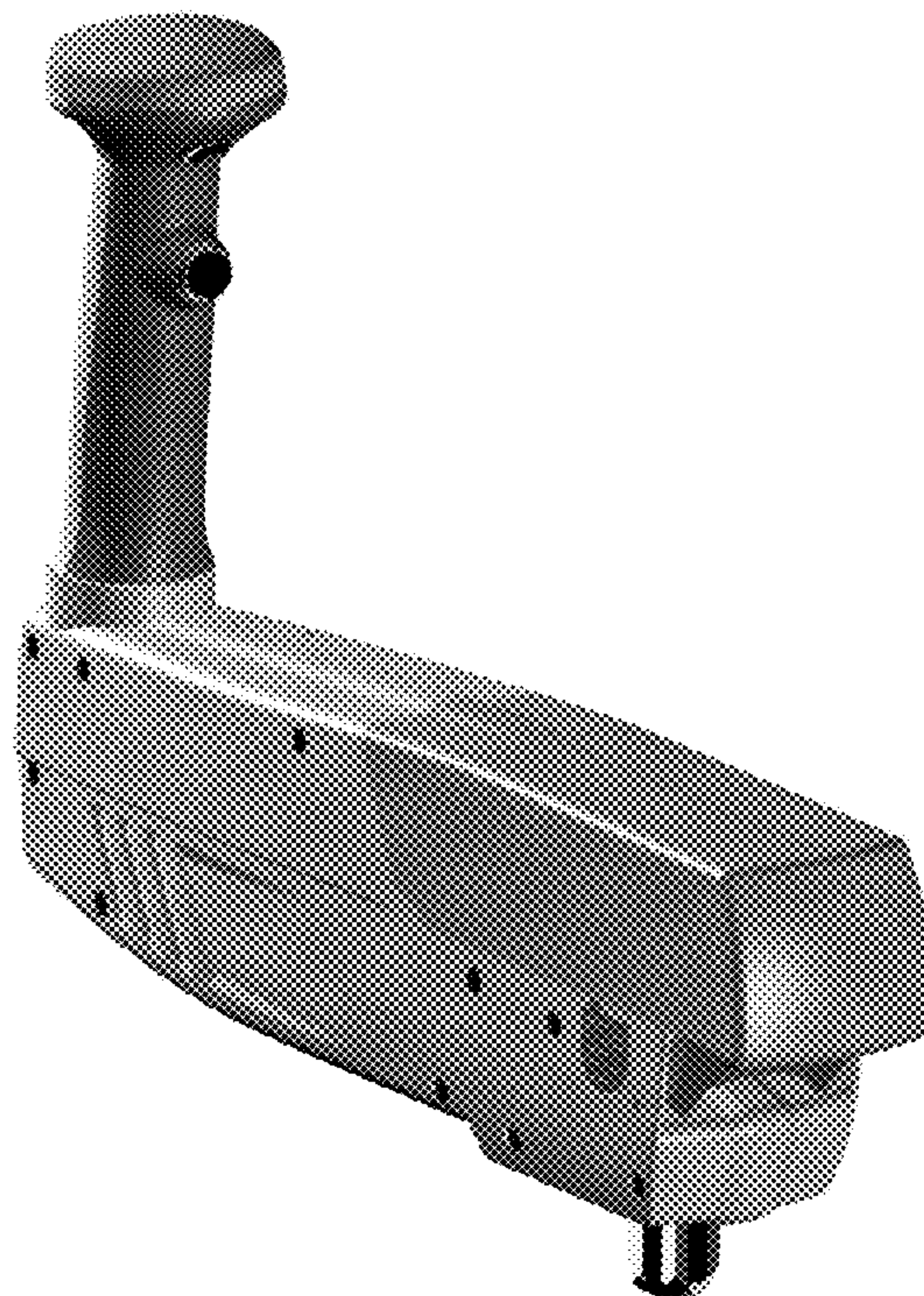
(57) **CLAIM**

The ornamental design for a winch handle, as shown and described.

**DESCRIPTION**

- 1. Winch handle
- 1.1 perspective view.
- 1.2: Left side view.
- 1.3: Right side view.
- 1.4: Front view.
- 1.5: Rear view.
- 1.6: Top view.
- 1.7: Bottom view.

**1 Claim, 7 Drawing Sheets**



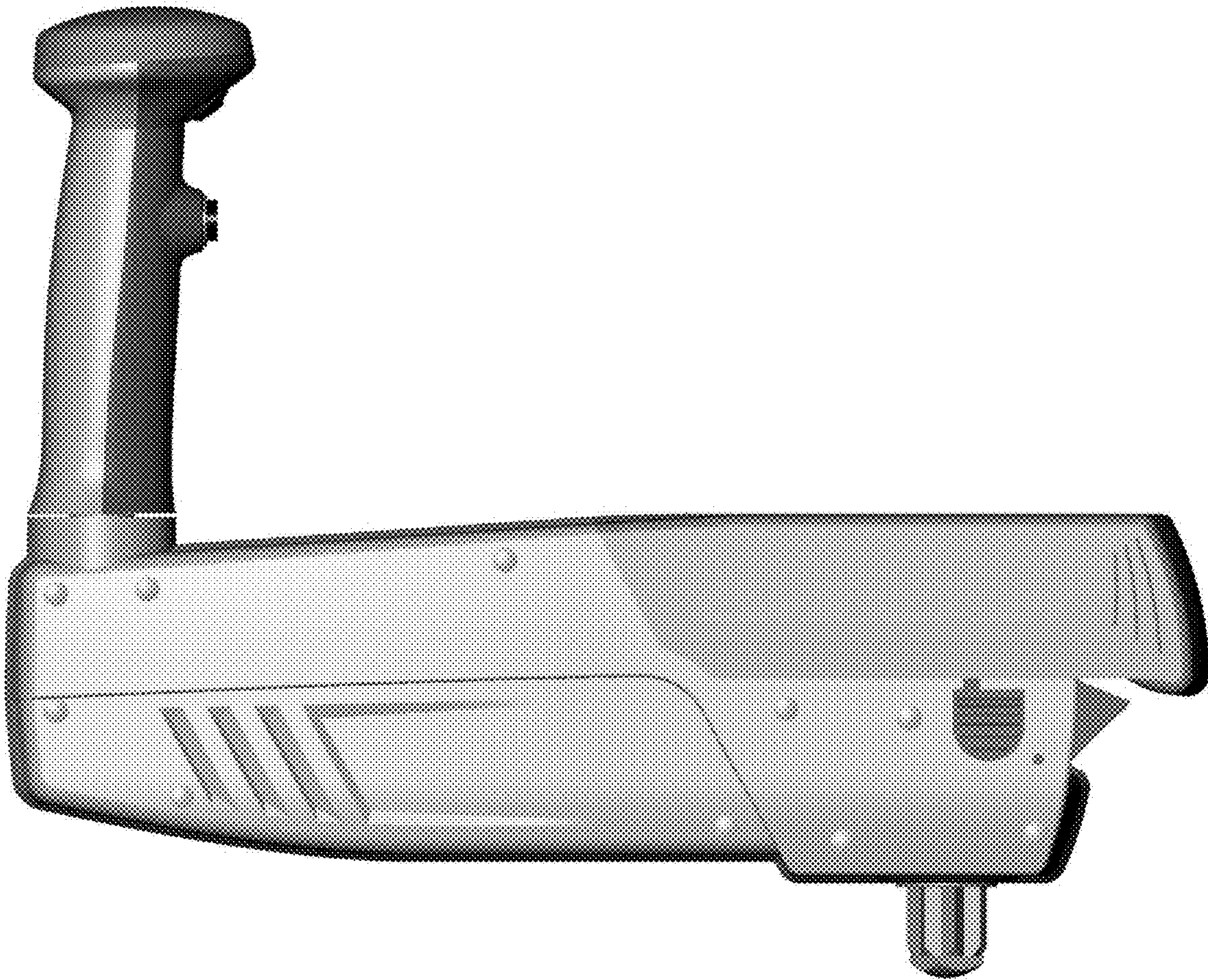


1.1





1.2

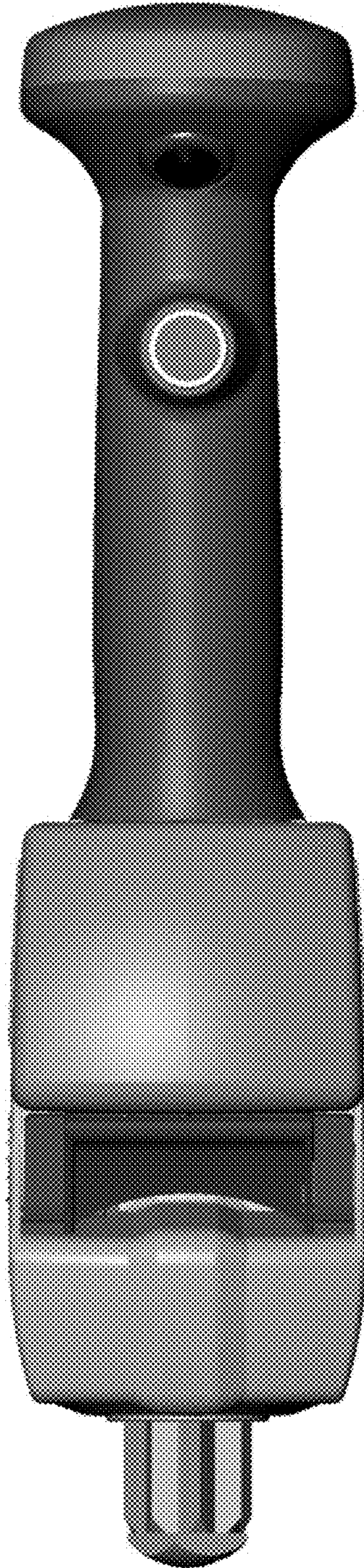


1.3



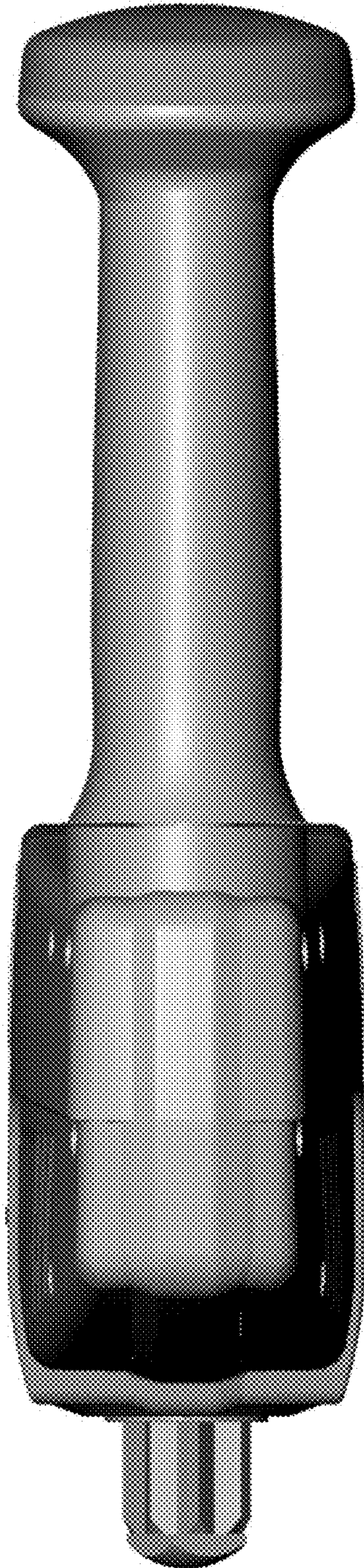


1.4

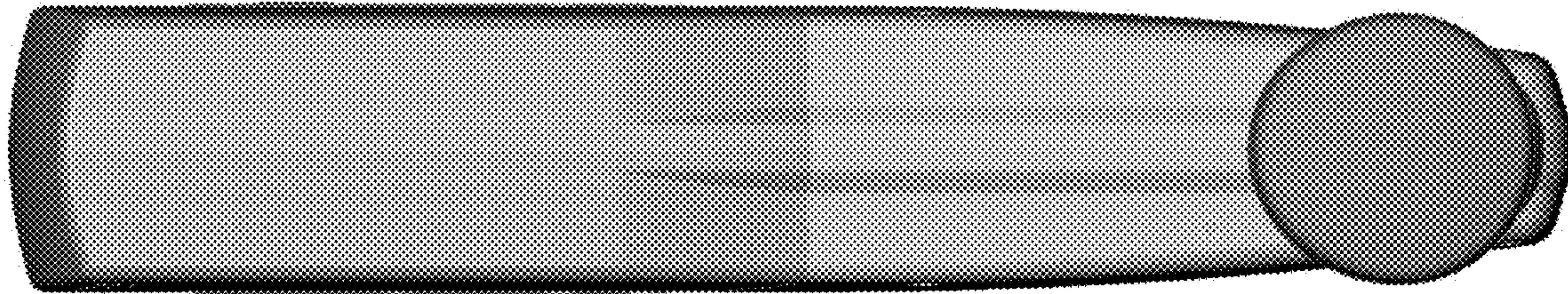




1.5



1.6





1.7

