



US00D822938S

(12) **United States Design Patent**
Hoock et al.

(10) **Patent No.:** **US D822,938 S**
(45) **Date of Patent:** **** Jul. 10, 2018**

- (54) **FORKLIFT**
- (71) Applicant: **Hyster-Yale Group, Inc.**, Fairview, OR (US)
- (72) Inventors: **Michael Hoock**, Wuppertal (DE); **Nikke Hyvonen**, Turku (FI); **Heidi Hautala**, Turku (FI); **Matti Makkonen**, Turku (FI); **Harri Alanen**, Turku (FI)
- (73) Assignee: **HYSTER-YALE GROUP, INC.**, Fairview, OR (US)

D640,855 S	6/2011	Ruppert	
D684,333 S	6/2013	Knie	
D717,514 S	11/2014	Miggels	
D720,114 S	12/2014	Stark	
D730,614 S	5/2015	Wu	
D733,389 S	6/2015	Wu	
D734,915 S	7/2015	Nopper	
D769,567 S *	10/2016	Hoock	D34/34
2007/0080024 A1	4/2007	Langenkamp	
2008/0202858 A1	8/2008	Borchers	
2012/0275892 A1	11/2012	Allerdig	

(**) Term: **15 Years**

(21) Appl. No.: **29/576,864**

(22) Filed: **Sep. 7, 2016**

Related U.S. Application Data

(62) Division of application No. 29/487,022, filed on Apr. 4, 2014, now Pat. No. Des. 769,567.

(51) **LOC (11) Cl.** **12-05**

(52) **U.S. Cl.**
USPC **D34/35**

(58) **Field of Classification Search**
USPC D34/34, 35
CPC B60N 2/4693; B66F 9/06; B66F 9/07554;
B66F 9/07545; B66F 9/12; B66F 17/003
See application file for complete search history.

(56) **References Cited**

U.S. PATENT DOCUMENTS

- 5,890,563 A 4/1999 Bartels
- D539,503 S 3/2007 Quinlan, Jr.

* cited by examiner

Primary Examiner — Cynthia Ramirez

(74) *Attorney, Agent, or Firm* — Schwabe Williamson & Wyatt

(57) **CLAIM**

We claim the ornamental design for forklift, as shown and described.

DESCRIPTION

FIG. 1 is a rear view of a configuration for a forklift; FIG. 2 is a right view of the forklift of FIG. 1; FIG. 3 is a left view of the forklift of FIG. 1; FIG. 4 is a right, rear isometric view of the forklift of FIG. 1; and, FIG. 5 is a left, rear isometric view of the forklift of FIG. 1. In FIGS. 1-5, the broken lines indicate environmental features and form no part of the claimed design.

1 Claim, 5 Drawing Sheets

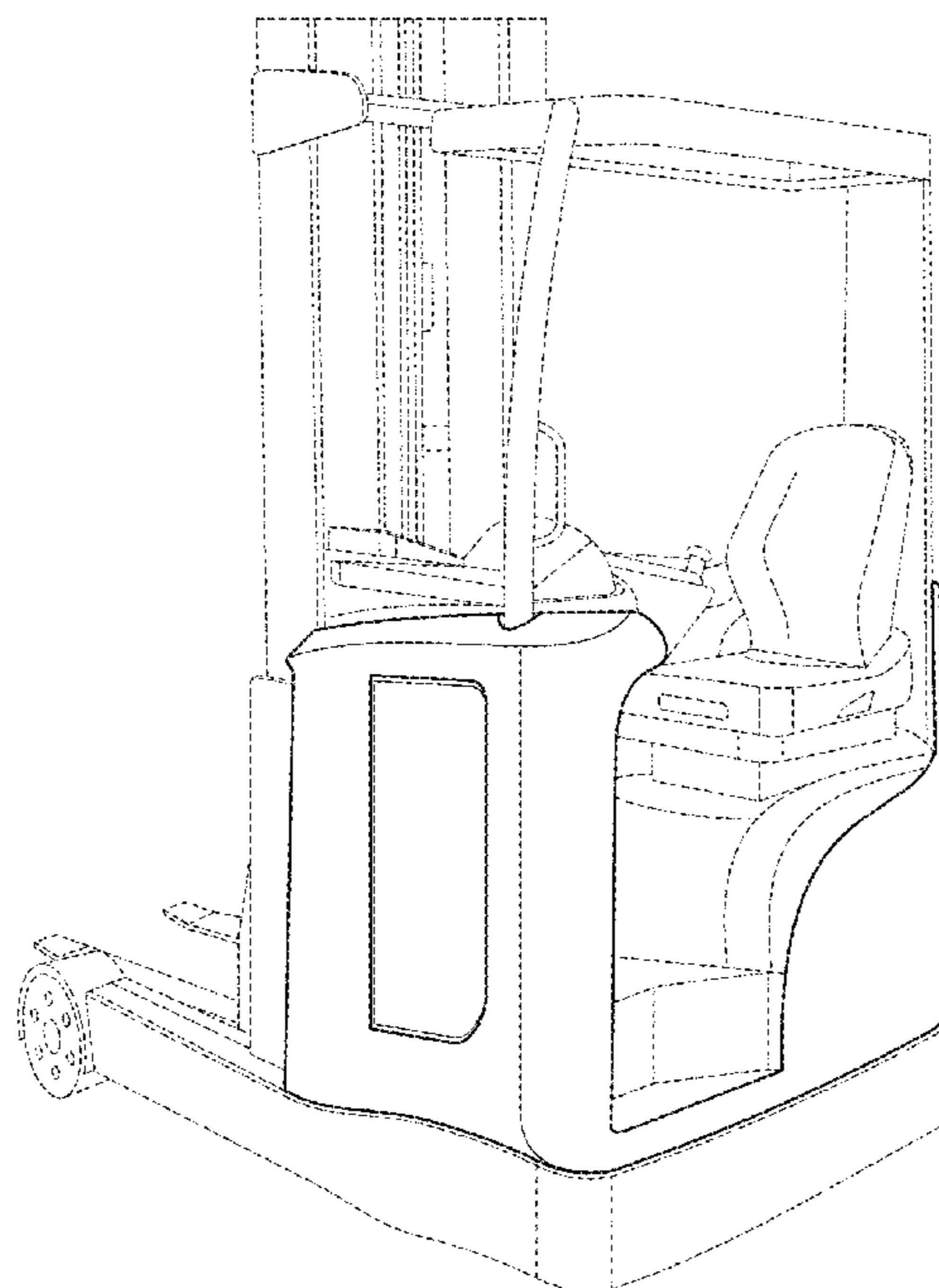


Fig. 1

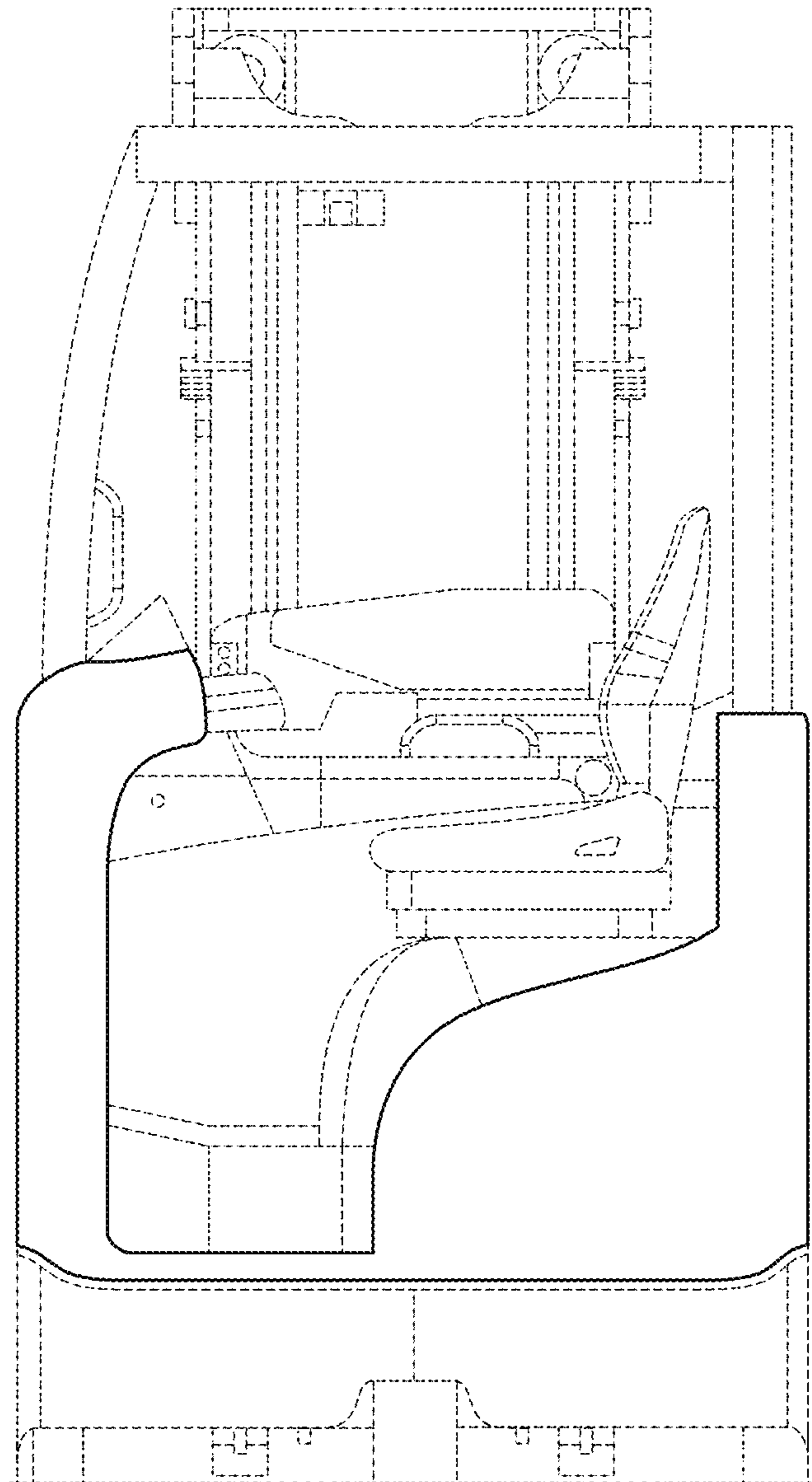


Fig. 2

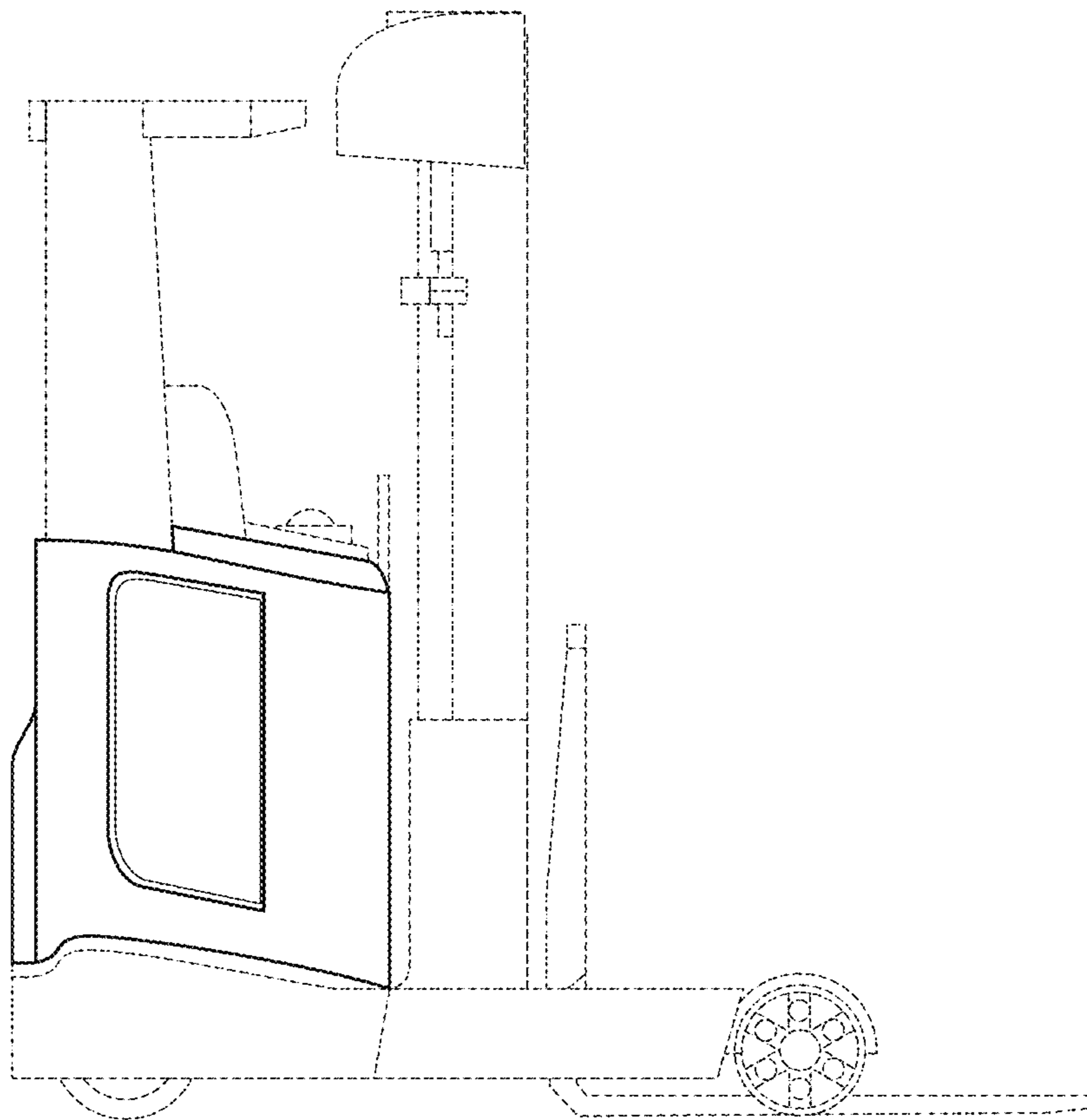


Fig. 3

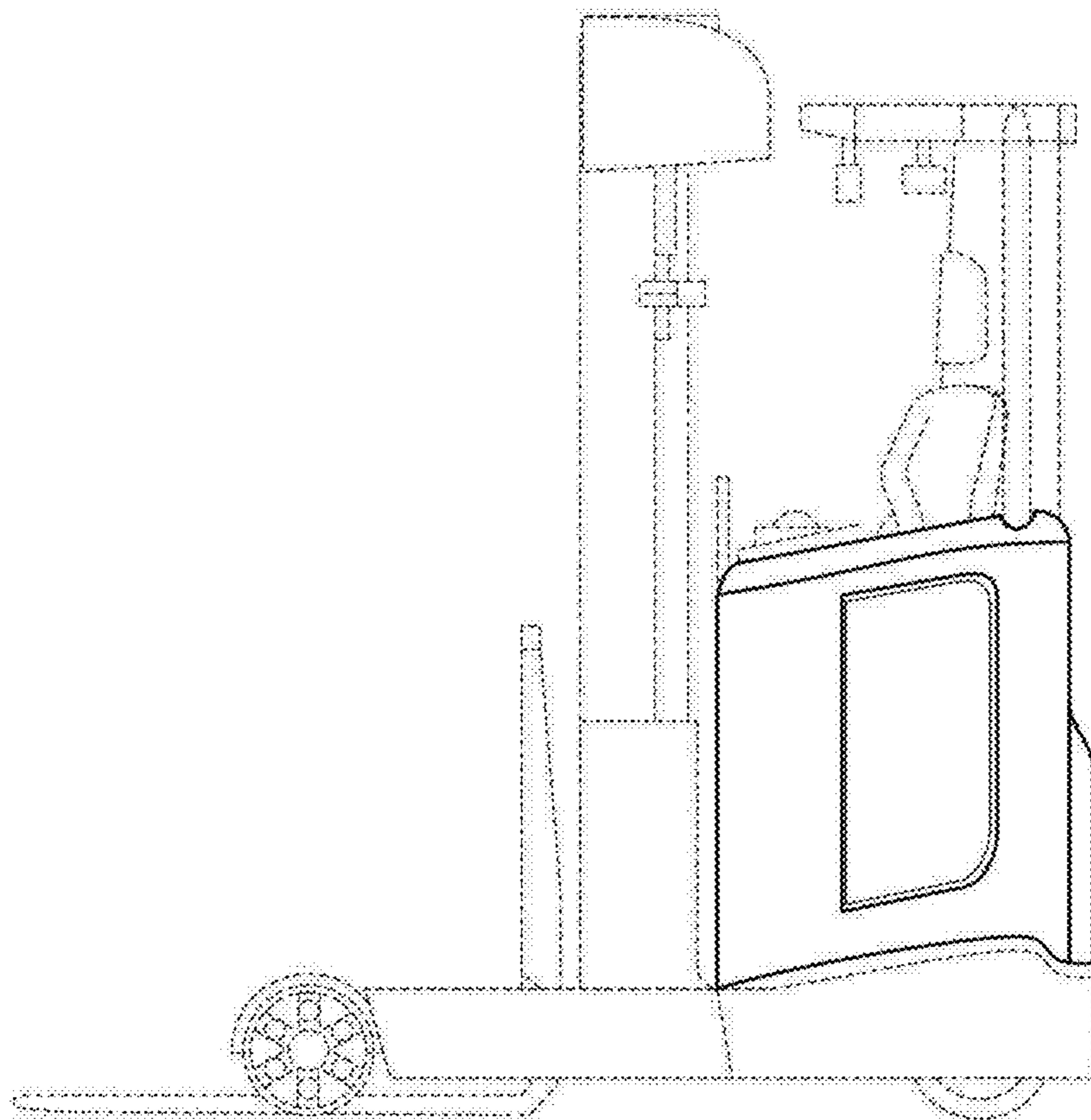


Fig. 4

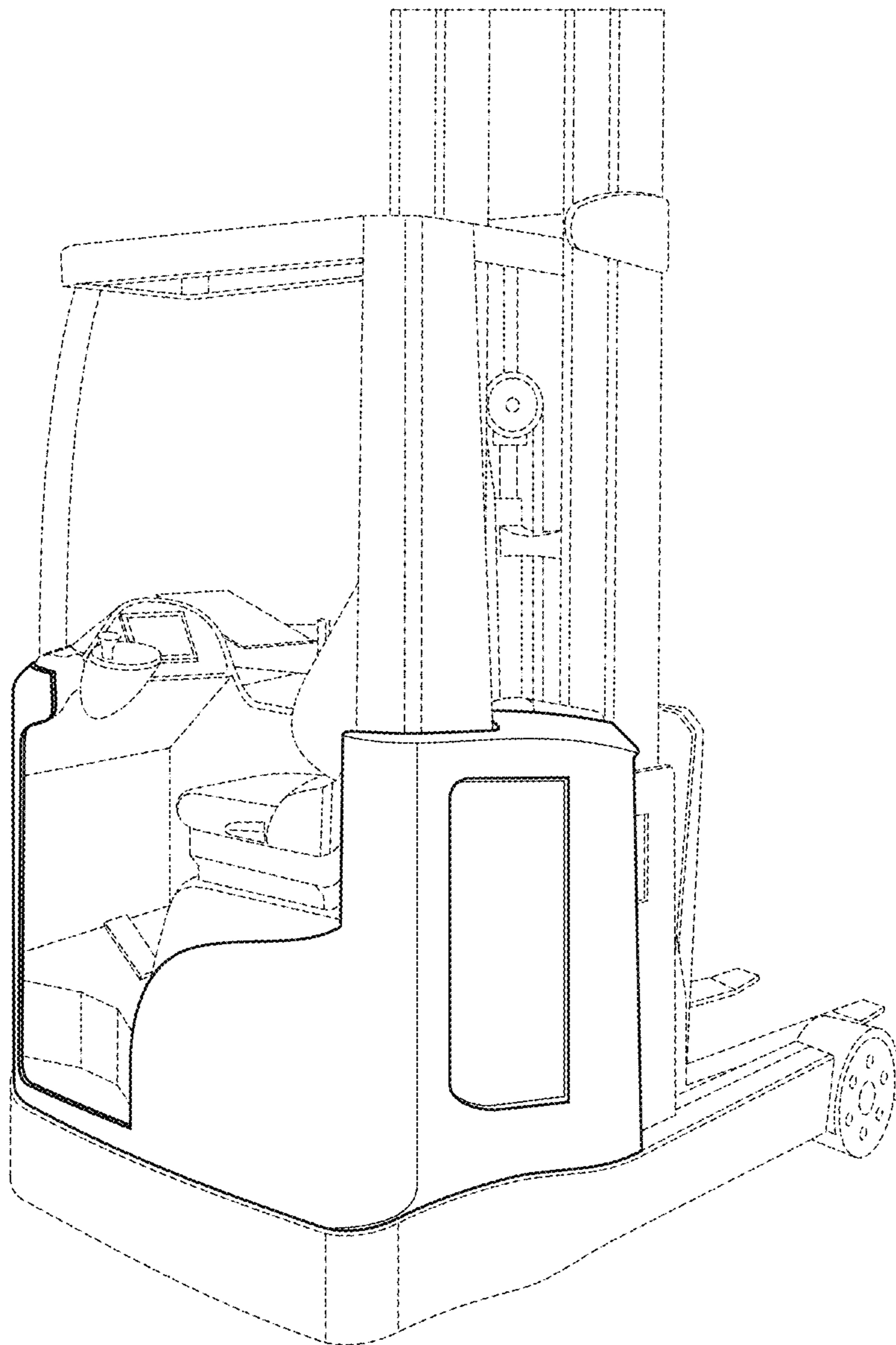


Fig. 5

