



US00D822937S

(12) **United States Design Patent**  
**Bettera**

(10) **Patent No.:** **US D822,937 S**

(45) **Date of Patent:** **\*\* Jul. 10, 2018**

(54) **APPARATUS FOR HANDLING LOADS**

(71) Applicant: **AUTOMHA S.r.l.**, Azzano S. Paolo (IT)

(72) Inventor: **Iriam Bettera**, Onore (IT)

(73) Assignee: **AUTOMHA S.r.l.**, Azzano San Paolo (IT)

(\*\*) Term: **15 Years**

(21) Appl. No.: **29/534,397**

(22) Filed: **Jul. 28, 2015**

(30) **Foreign Application Priority Data**

Jan. 29, 2015 (EM) ..... 002623355-0001

(51) **LOC (11) Cl.** ..... **12-05**

(52) **U.S. Cl.**  
USPC ..... **D34/29**

(58) **Field of Classification Search**  
USPC ..... D34/12, 17, 20, 21, 23, 26, 28, 29;  
280/79.11, 79.3, 33.997, 47.19, 47.34,  
280/47.35, 47.17; 414/426-429, 462;  
248/671, 676; 198/837, 860.1, 861.1,  
198/624, 643, 759, 860.3, 729; D15/147,  
D15/199; 209/241  
CPC .... B62B 3/10; B62B 3/00; B62B 3/04; B62B  
5/0093; B62B 5/0438

See application file for complete search history.

(56) **References Cited**

U.S. PATENT DOCUMENTS

3,228,517 A *	1/1966	Yeasting .....	B65G 27/20 198/759
7,152,730 B2 *	12/2006	Gerke .....	B65G 21/00 198/860.1
7,954,631 B1 *	6/2011	Weaver .....	B65G 19/10 198/465.3
D746,532 S *	12/2015	Meyer .....	D34/29
D776,733 S *	1/2017	Convery .....	D15/147
D777,397 S *	1/2017	Gediehn .....	D34/29

\* cited by examiner

*Primary Examiner* — Cynthia Ramirez

*Assistant Examiner* — Gino Colan

(74) *Attorney, Agent, or Firm* — Margaret Millikin

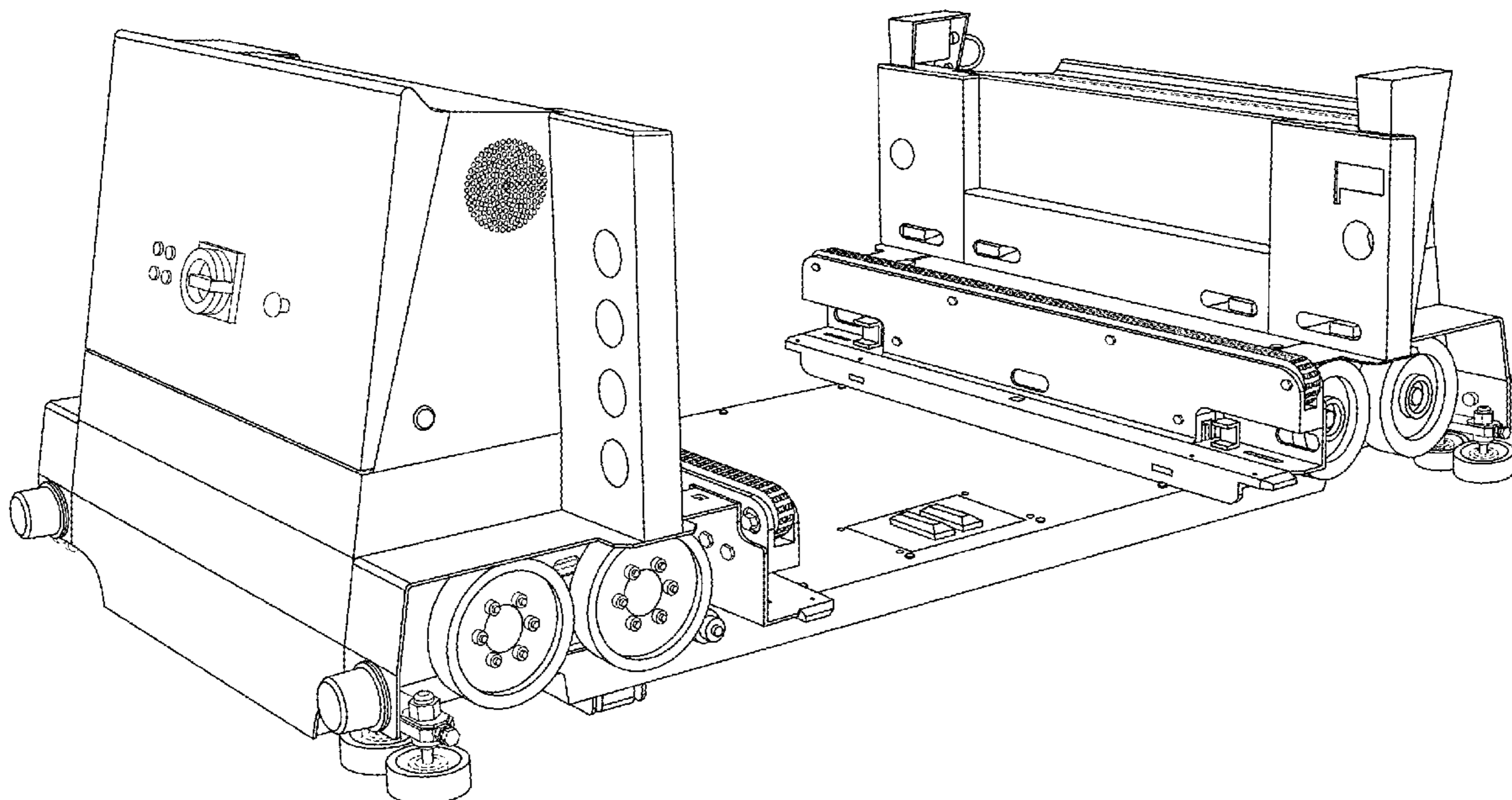
(57) **CLAIM**

The ornamental design for an apparatus for handling loads, as shown and described.

**DESCRIPTION**

FIG. 1 is a front left perspective view of an apparatus for handling loads showing my new design;  
FIG. 2 is left side perspective view thereof;  
FIG. 3 is a front elevation view thereof, shown in a larger scale;  
FIG. 4 is a rear elevation view thereof, shown in a larger scale;  
FIG. 5 is a left side view thereof;  
FIG. 6 is a right side view thereof; and,  
FIG. 7 is a top perspective view thereof.

**1 Claim, 7 Drawing Sheets**



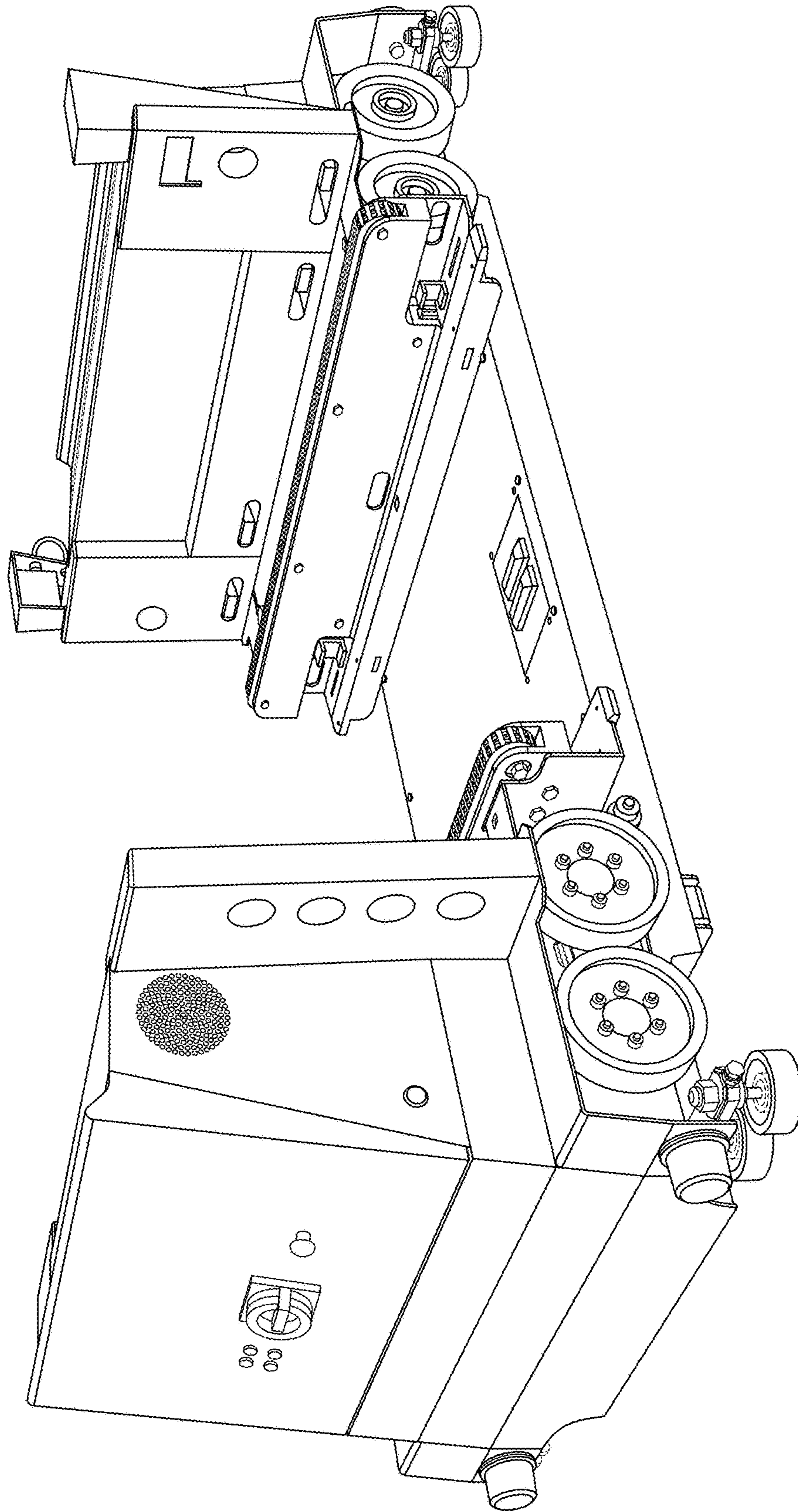


FIG. 1

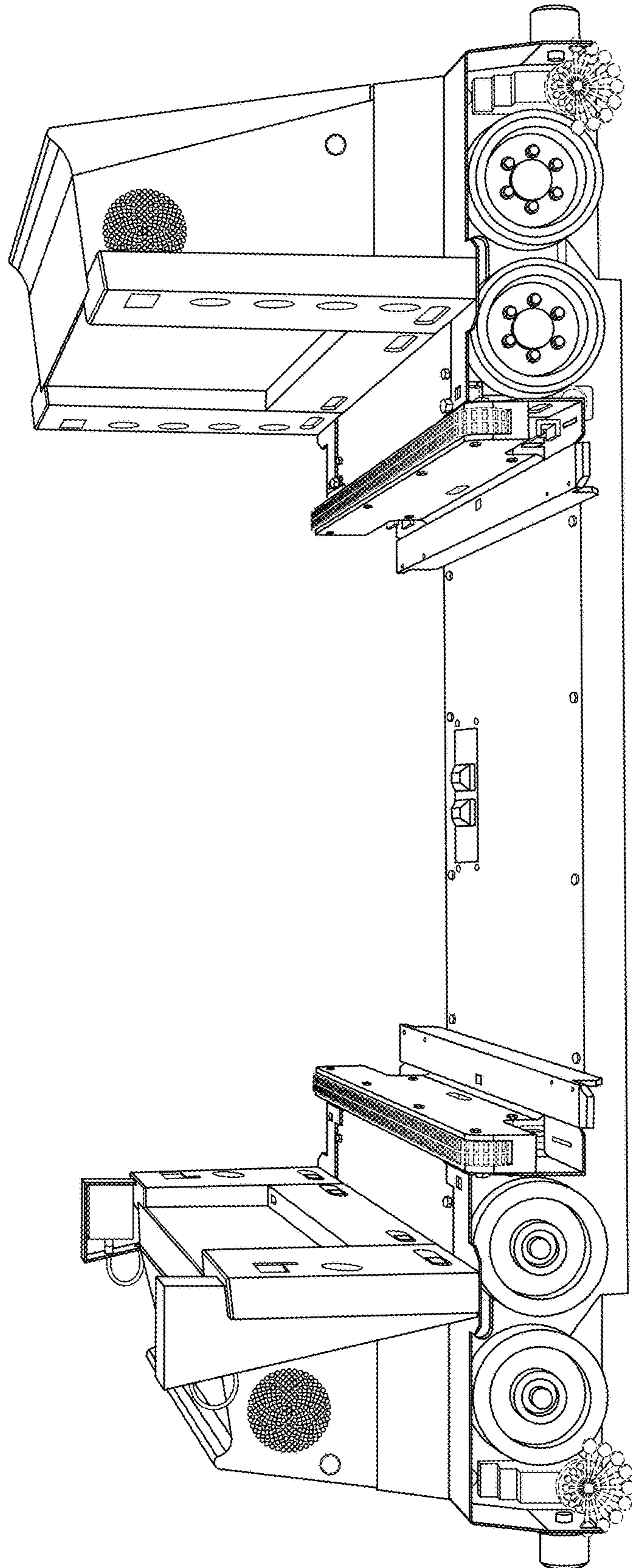


FIG. 2

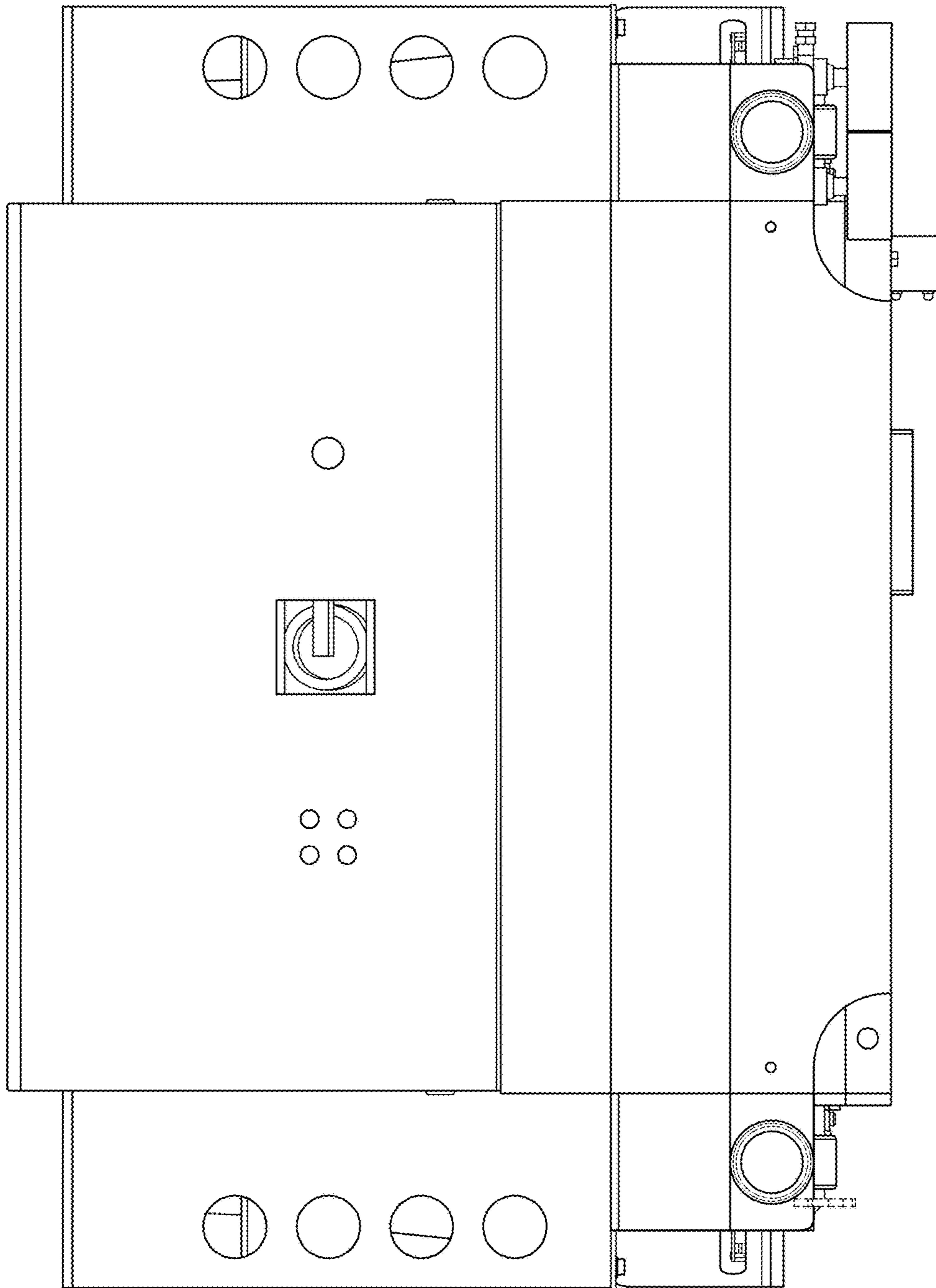


FIG. 3

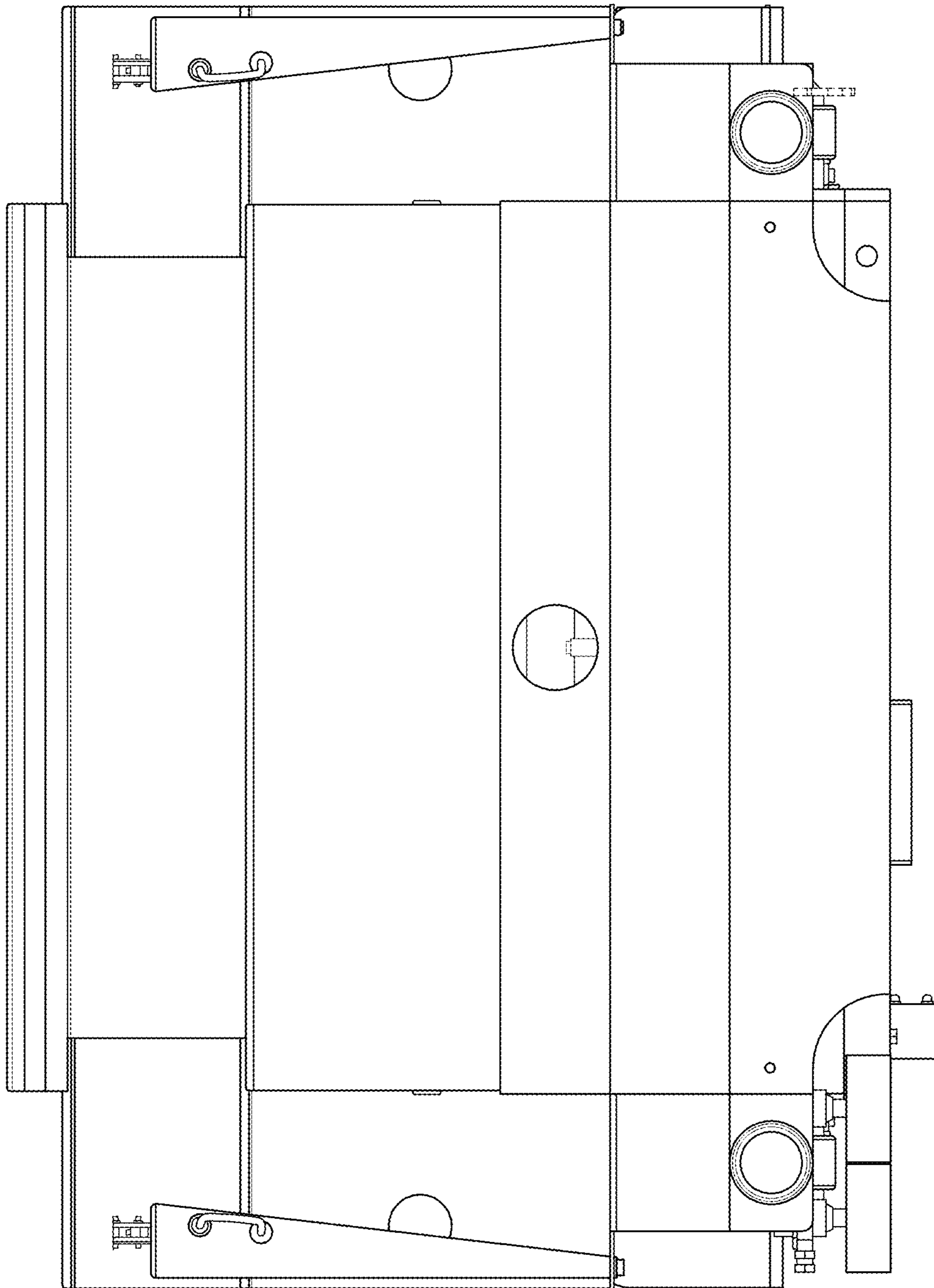


FIG. 4

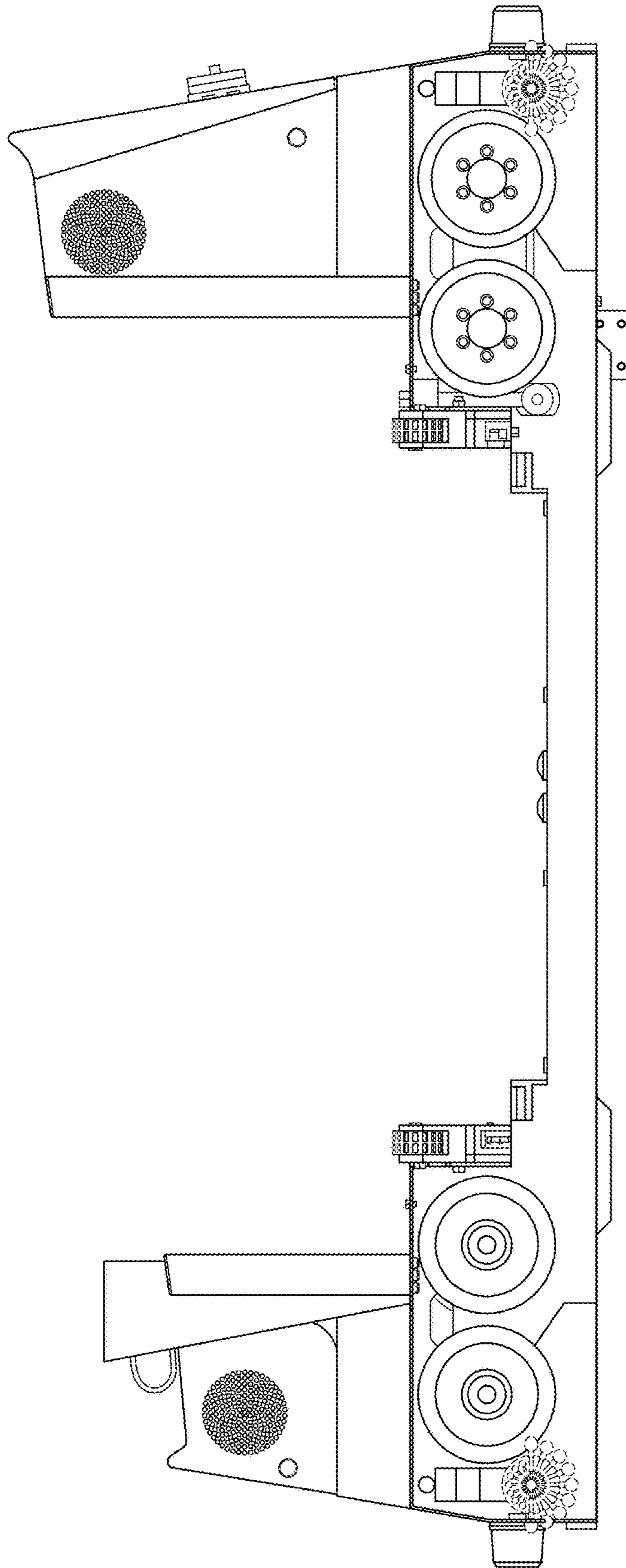


FIG. 5

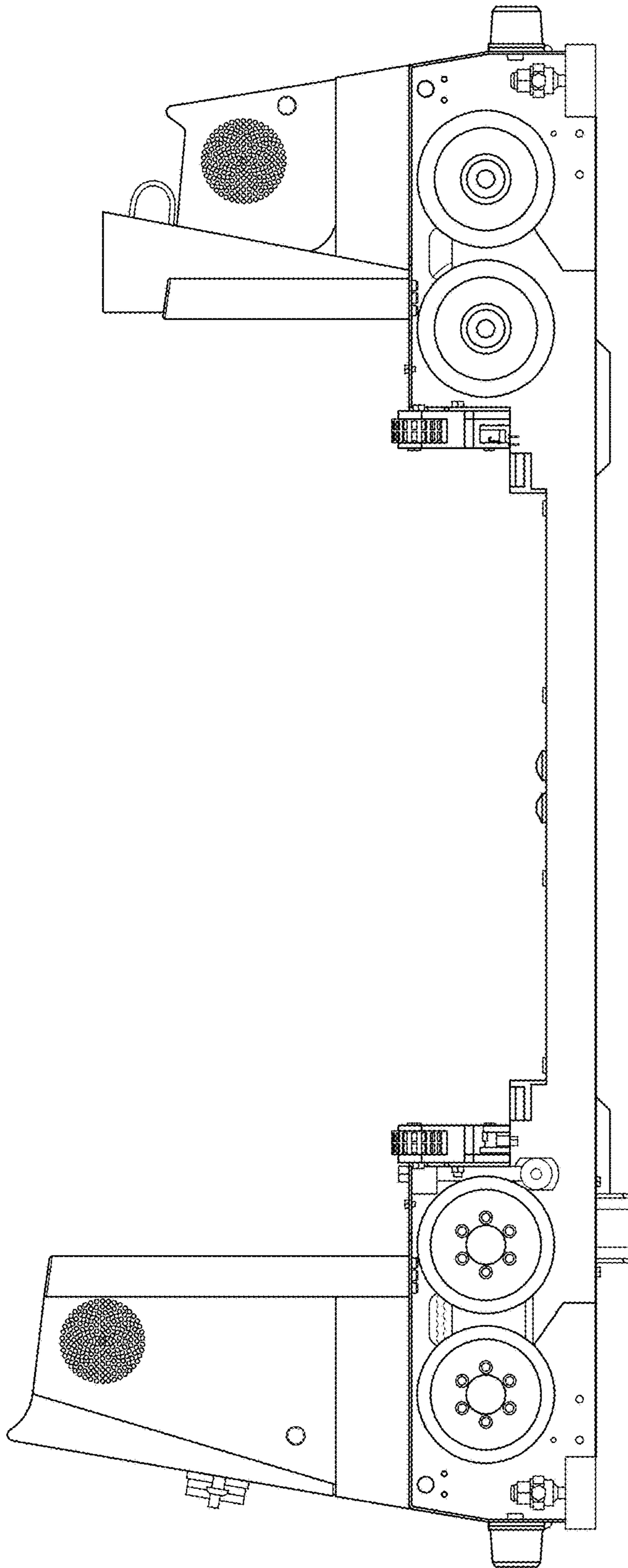


FIG. 6

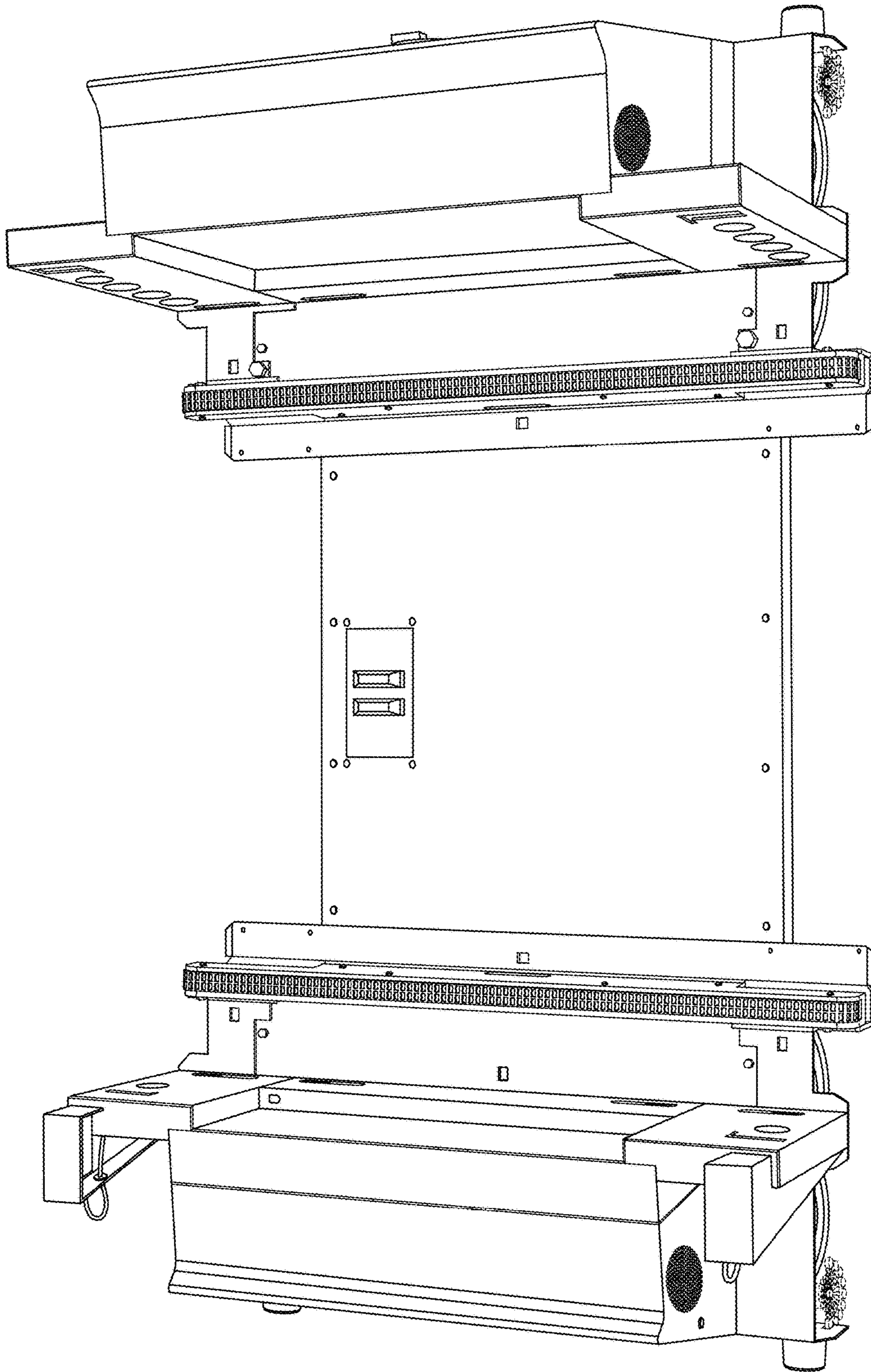


FIG. 7