



US00D822936S

(12) **United States Design Patent**  
**Yang et al.**

(10) **Patent No.:** **US D822,936 S**

(45) **Date of Patent:** **\*\* Jul. 10, 2018**

- (54) **HANDLE OF A BARROW**
- (71) Applicant: **Great Taiwan Material Handling Co., Taichung (TW)**
- (72) Inventors: **Cheng-Chiang Yang, Taichung (TW); Shih-Chiang Wang, Taichung (TW)**
- (73) Assignee: **Great Taiwan Material Handling Co., Taichung (TW)**

D492,829 S *	7/2004	Babkes	.....	D34/24
D552,257 S *	10/2007	Berry	.....	D25/68
D593,273 S *	5/2009	Hailston	.....	D34/27
D593,722 S *	6/2009	Hailston	.....	D34/27
D644,401 S *	8/2011	Dechant	.....	D34/26
D661,860 S *	6/2012	Ryan	.....	D34/26
D667,193 S *	9/2012	Ryan	.....	D34/26
D667,194 S *	9/2012	Ryan	.....	D34/26
D733,325 S *	6/2015	Robinson, Jr.	.....	D25/68
D749,813 S *	2/2016	Nyholm	.....	D34/27
D782,145 S *	3/2017	Bowen	.....	D34/12

(\*\*) Term: **15 Years**

(21) Appl. No.: **29/585,580**

(22) Filed: **Nov. 28, 2016**

(51) **LOC (11) Cl.** ..... **12-02**

(52) **U.S. Cl.**  
USPC ..... **D34/27**

(58) **Field of Classification Search**  
USPC ..... D34/12, 23, 24, 26, 27; D32/53, 54;  
D25/68, 69  
CPC ..... B62B 2202/406; B62B 1/262; B62B 1/14;  
B62B 1/002; B62B 1/1468  
See application file for complete search history.

(56) **References Cited**

**U.S. PATENT DOCUMENTS**

D174,307 S *	3/1955	Anderson	.....	280/47.27
2,835,503 A *	5/1958	Humphries	.....	A01G 1/12 211/70.6
D273,522 S *	4/1984	Zastera	.....	D34/17
5,490,688 A *	2/1996	Cheng	.....	B62B 1/12 280/47.29
D475,167 S *	5/2003	Hailston	.....	D34/27

\* cited by examiner

*Primary Examiner* — Cynthia Ramirez

(74) *Attorney, Agent, or Firm* — Alan D. Kamrath;  
Kamrath IP Lawfirm, P.A.

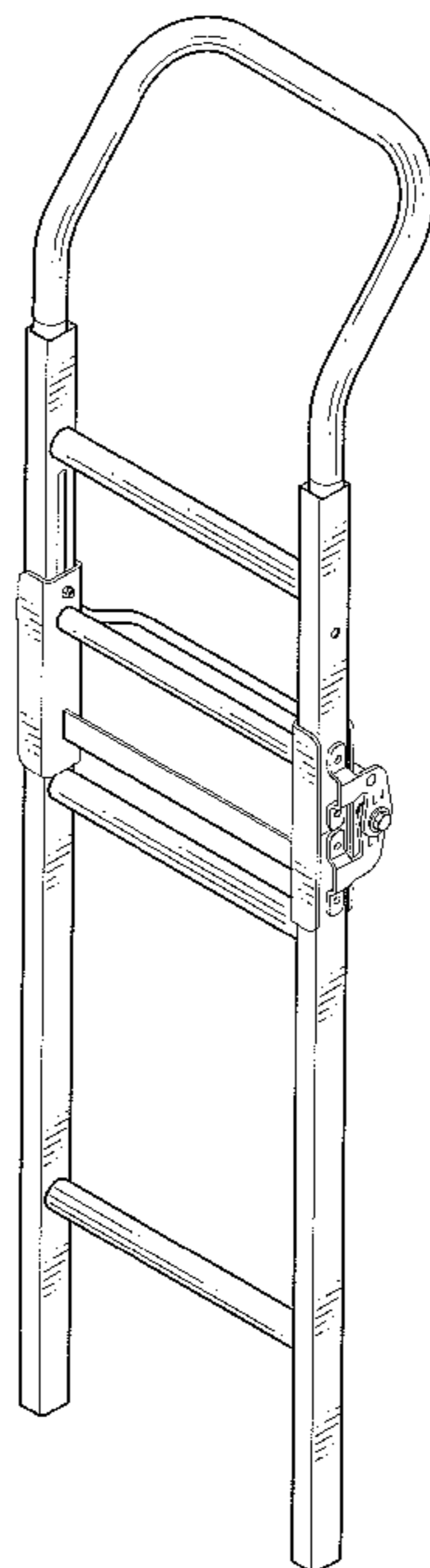
(57) **CLAIM**

The ornamental design for a handle of a barrow, as shown and described.

**DESCRIPTION**

FIG. 1 is a perspective view of a handle of a barrow showing our new design;  
FIG. 2 is a front view thereof;  
FIG. 3 is a rear view thereof;  
FIG. 4 is a left view thereof;  
FIG. 5 is a right view thereof;  
FIG. 6 is a top view thereof;  
FIG. 7 is a bottom view thereof;  
FIG. 8 is a perspective view in a condition of use; and,  
FIG. 9 is another perspective view shown in an alternate position.  
The broken lines in FIGS. 8 and 9 are to show environment and form no part of the claimed design.

**1 Claim, 9 Drawing Sheets**



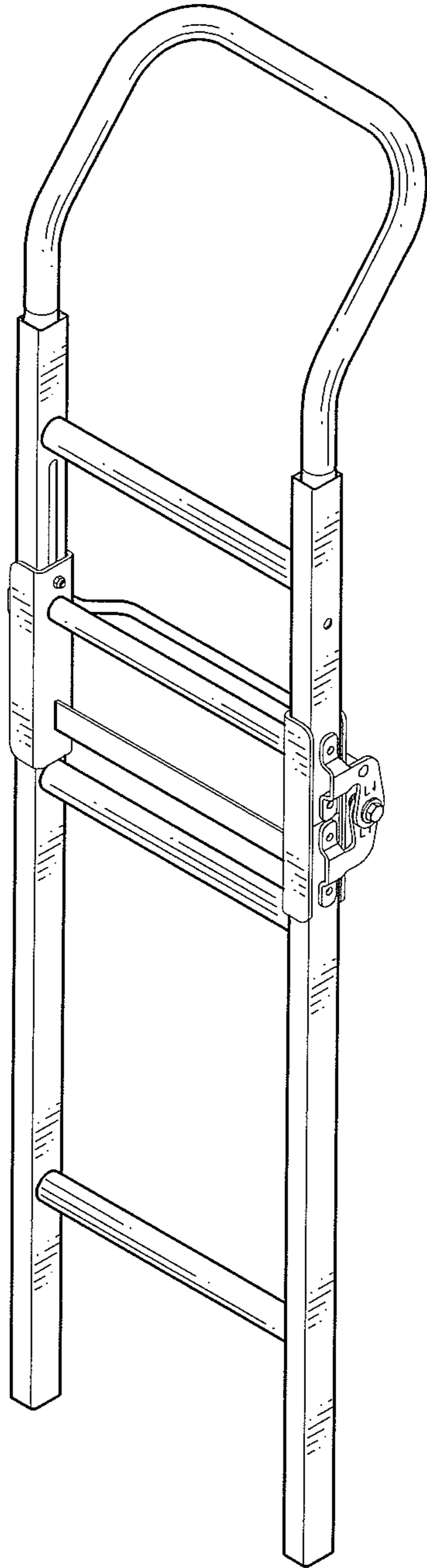


FIG. 1

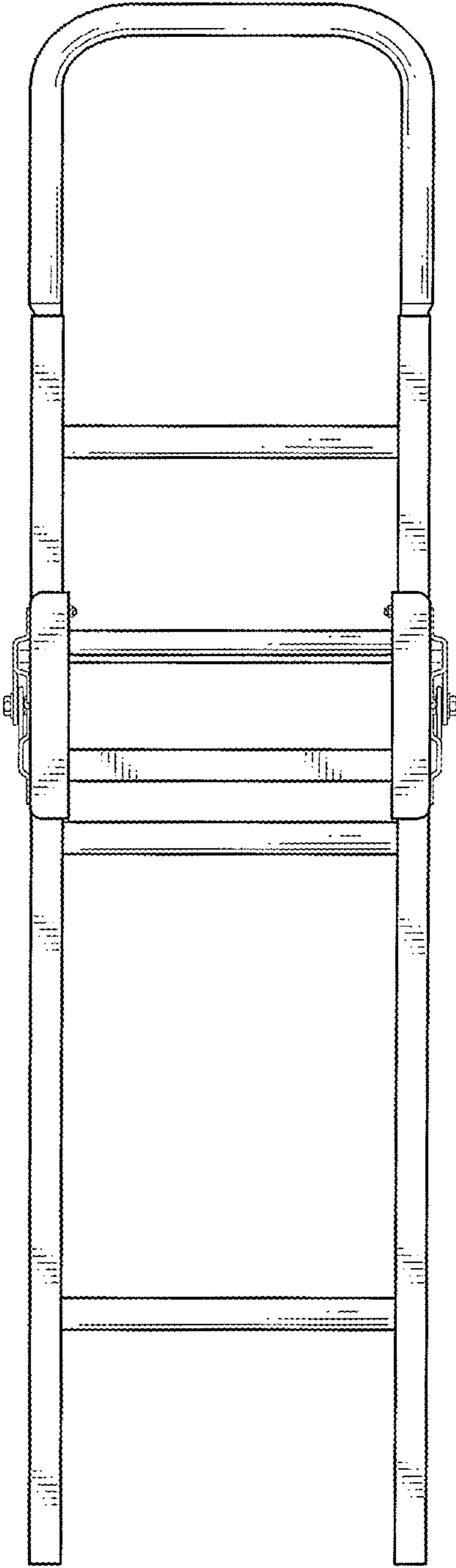


FIG. 2

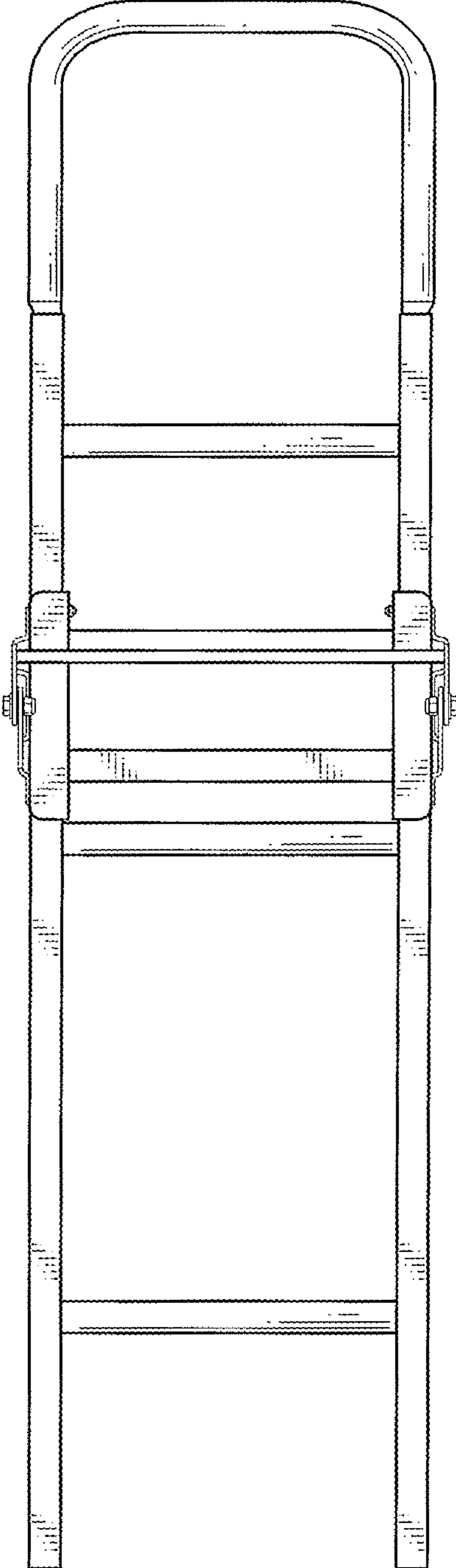


FIG. 3

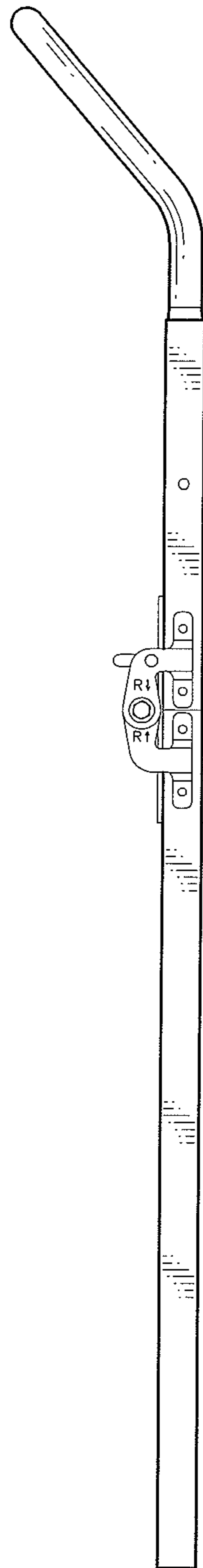


FIG. 4

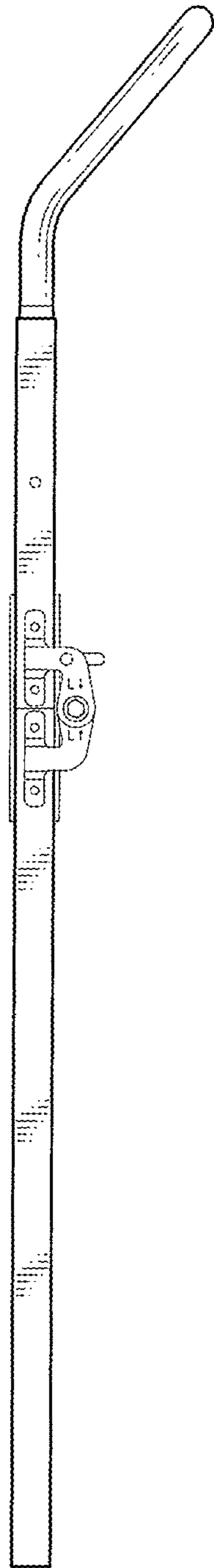


FIG. 5

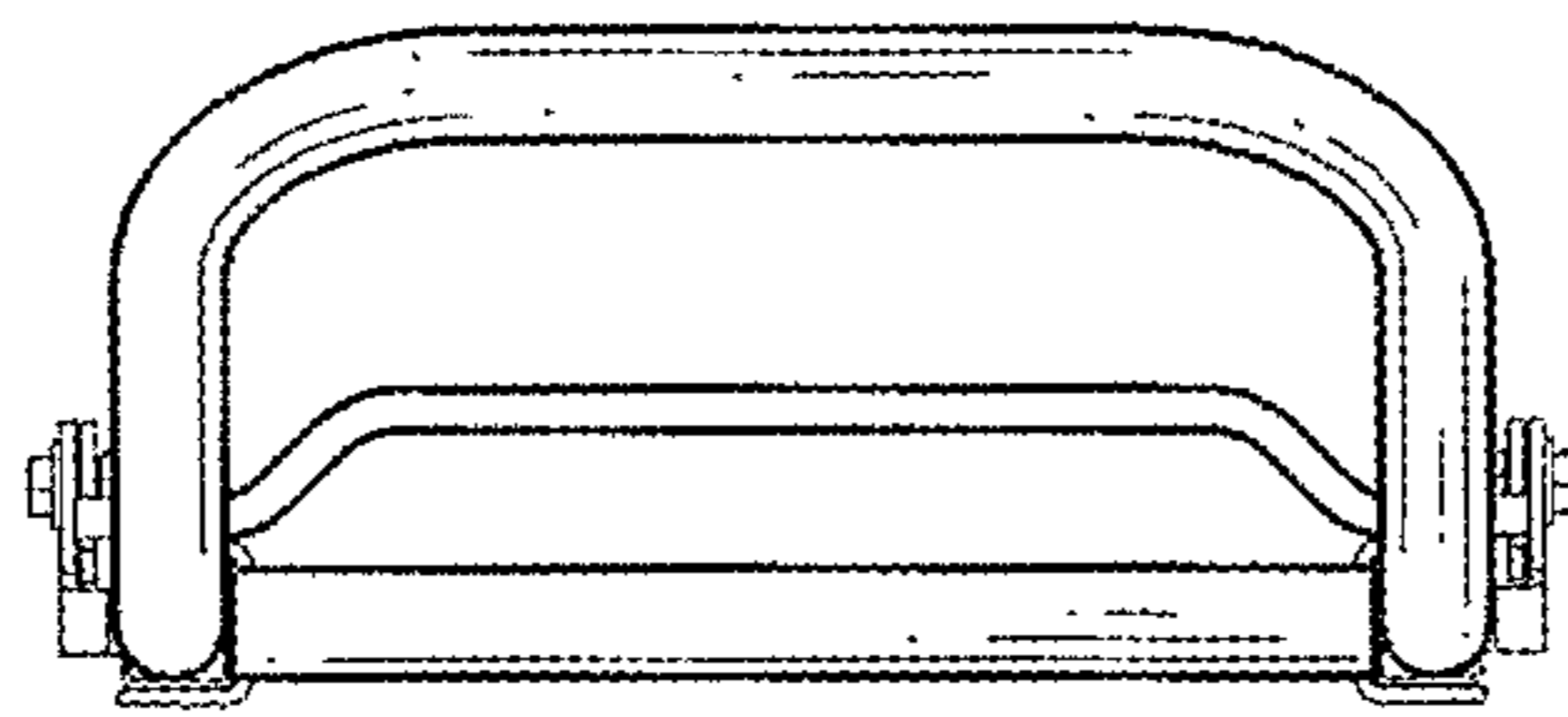


FIG. 6

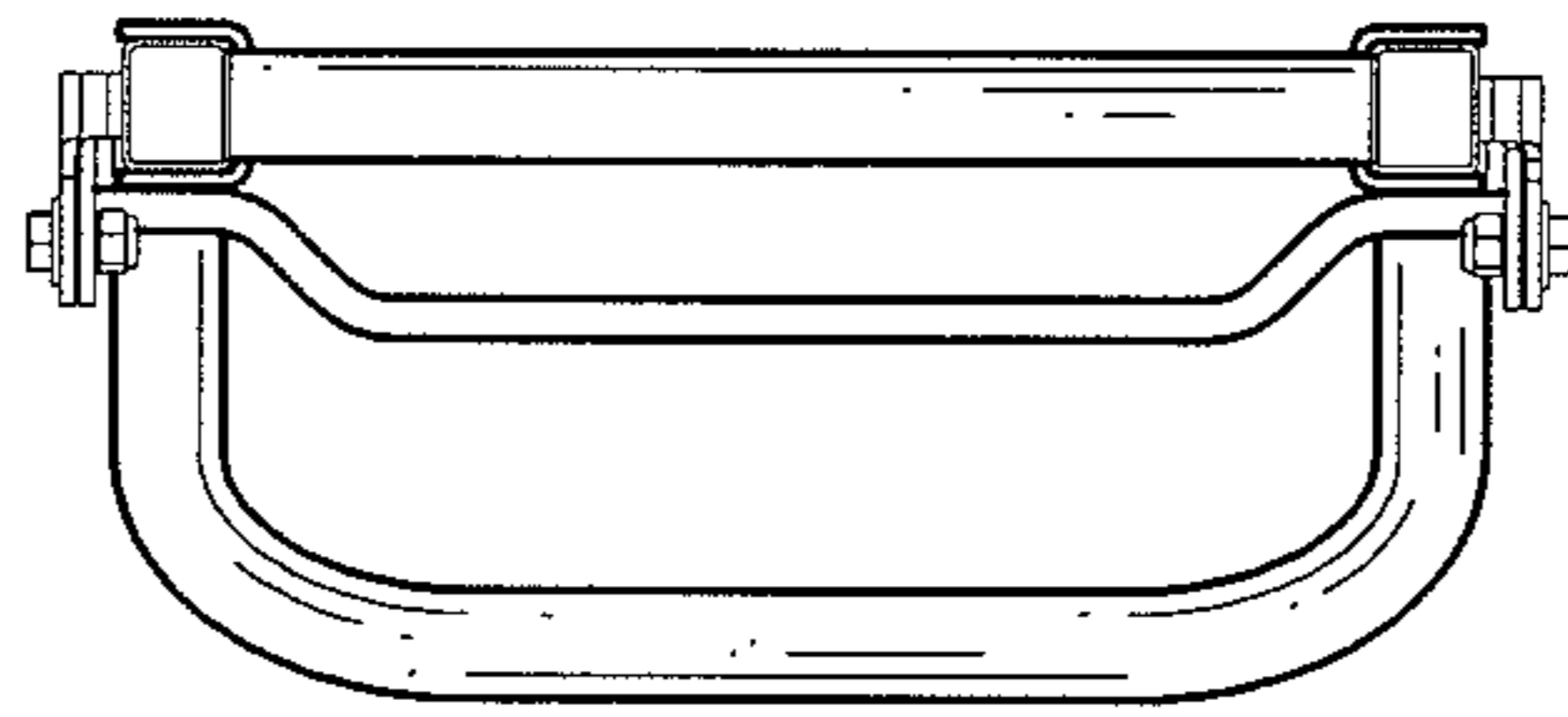


FIG. 7



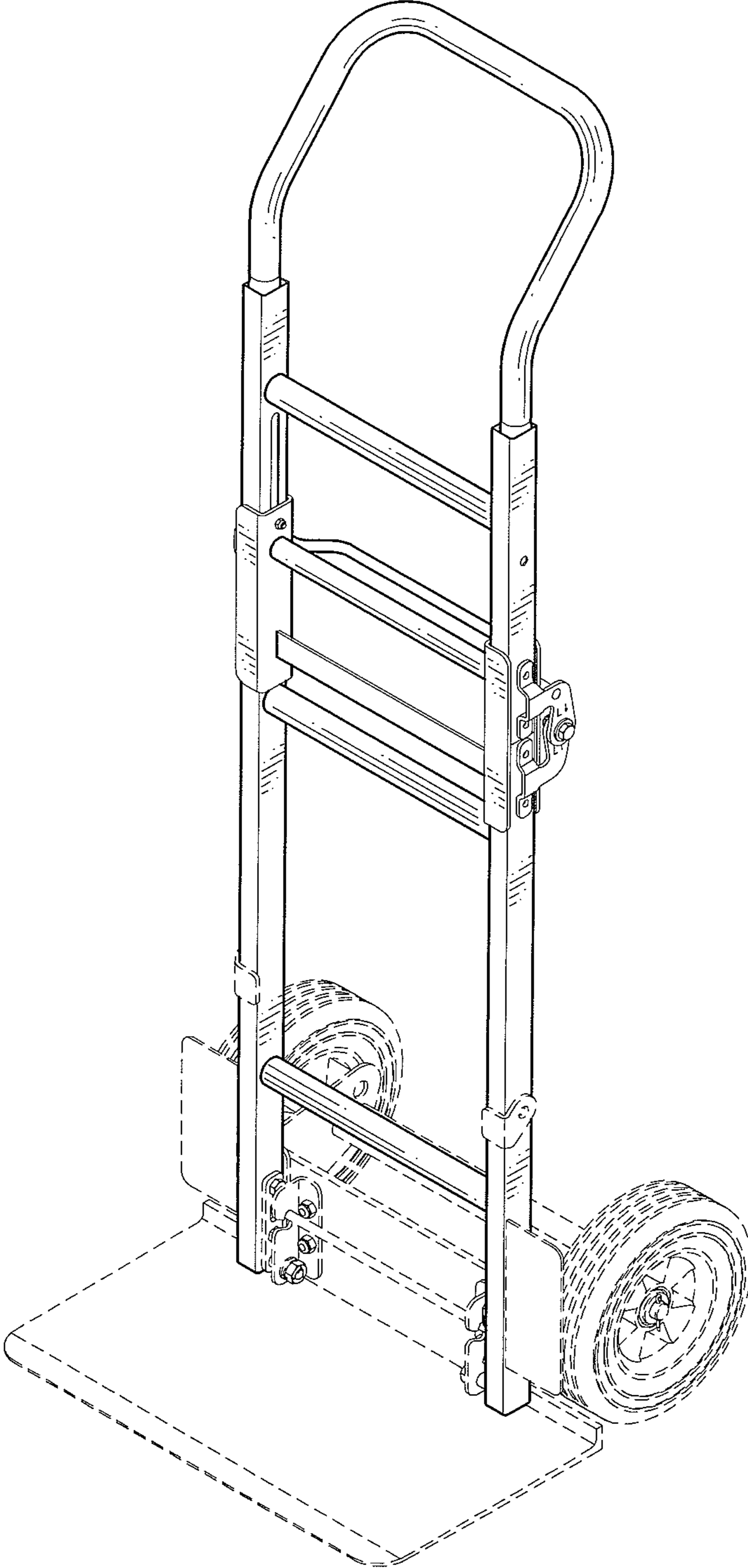


FIG. 8

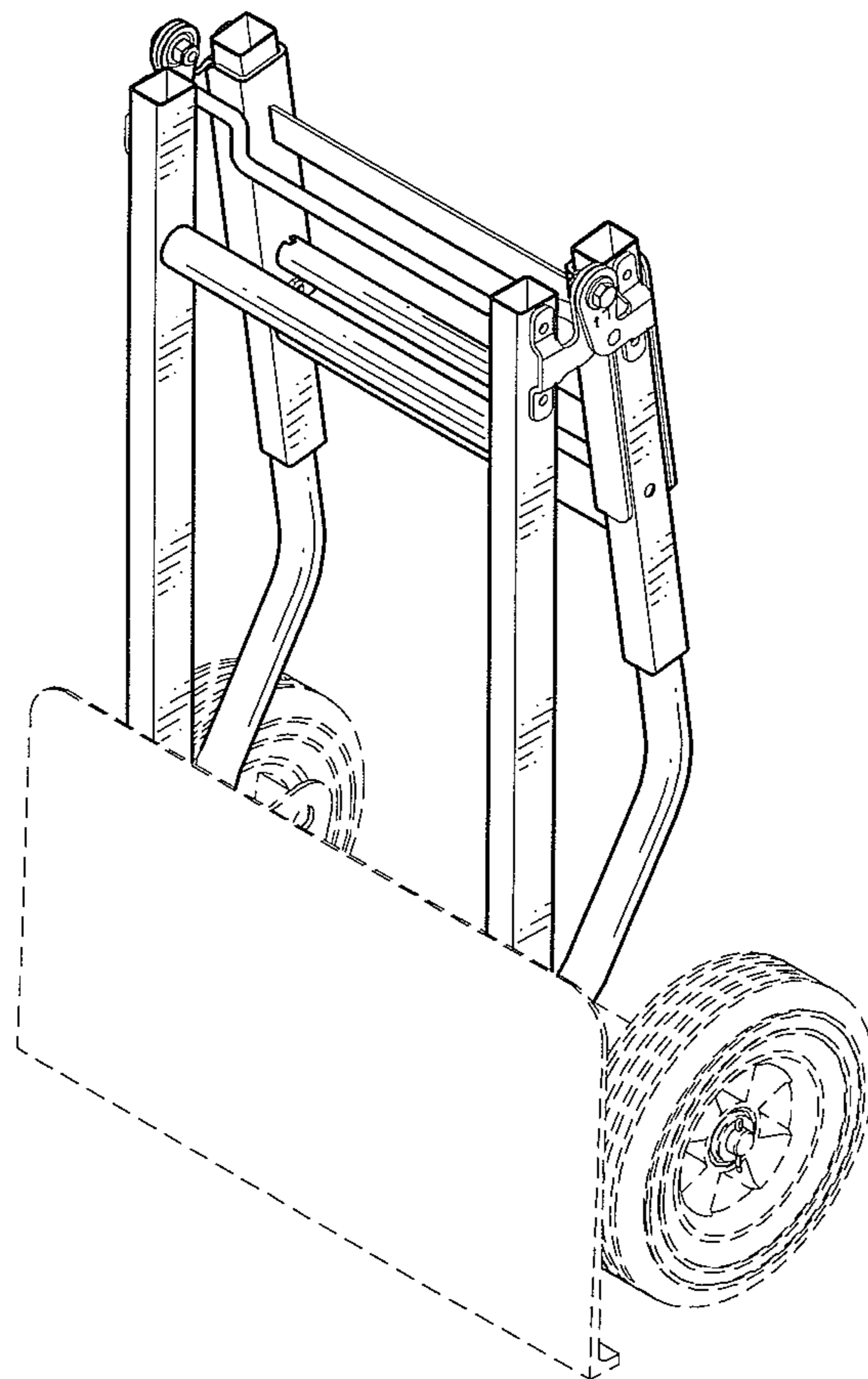


FIG. 9