



US00D822935S

(12) **United States Design Patent**
Kopp et al.

(10) **Patent No.:** **US D822,935 S**
(45) **Date of Patent:** **** Jul. 10, 2018**

(54) **CONTAINER DOLLY**

(71) Applicant: **Suncast Technologies, LLC**, Palm Beach Gardens, FL (US)

(72) Inventors: **Robert G. Kopp**, Elburn, IL (US);
Michael R. Vogler, Oswego, IL (US)

(73) Assignee: **Suncast Technologies, LLC**, Palm Beach Gardens, FL (US)

(**) Term: **15 Years**

(21) Appl. No.: **29/586,260**

(22) Filed: **Dec. 1, 2016**

(51) **LOC (11) Cl.** **12-02**

(52) **U.S. Cl.**
USPC **D34/23**

(58) **Field of Classification Search**
USPC D34/23
CPC B62B 3/02; B62B 3/04; B62B 3/14; B62B 3/00; B62B 3/16; B62B 5/0093; B62B 5/0083

See application file for complete search history.

(56) **References Cited**

U.S. PATENT DOCUMENTS

D150,264 S * 7/1948 Snyder 280/79.4
D333,899 S * 3/1993 Caceres D34/12

D609,423 S * 2/2010 Aldana D34/23
D725,337 S * 3/2015 Lentine D34/23
9,192,266 B2 * 11/2015 Starr A47J 47/16
2009/0230647 A1 * 9/2009 Taguchi B62B 5/0083
280/79.3

* cited by examiner

Primary Examiner — Cynthia Ramirez

(74) *Attorney, Agent, or Firm* — McHale & Slavin, P.A.

(57) **CLAIM**

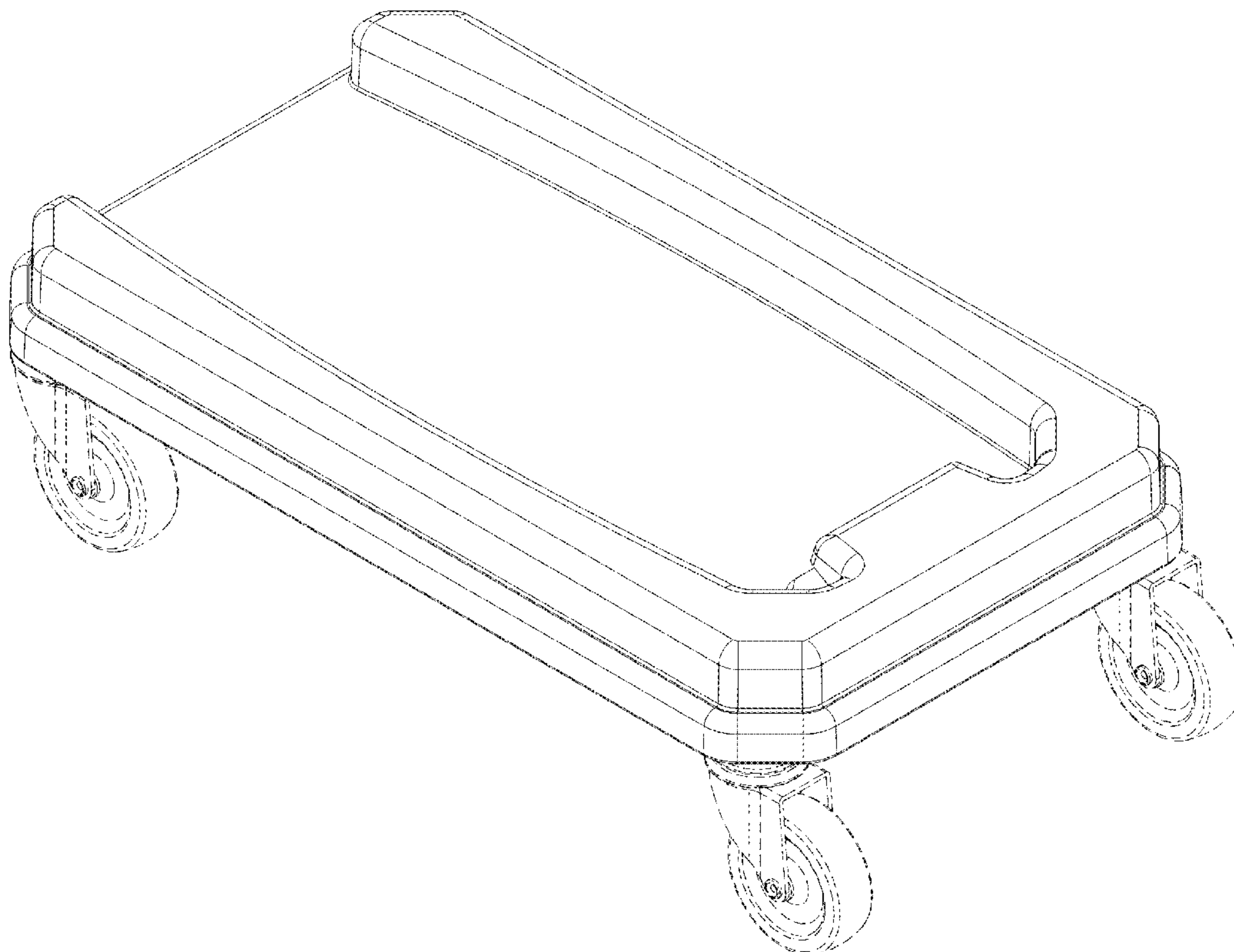
The ornamental design for a container dolly, as shown and described.

DESCRIPTION

FIG. 1 is a top right rear isometric view of the container dolly of the present invention;
FIG. 2 is a right side view thereof;
FIG. 3 is a left side view thereof;
FIG. 4 is a rear view thereof;
FIG. 5 is a front view thereof;
FIG. 6 is a top view thereof;
FIG. 7 is a bottom view thereof;
FIG. 8 is a top left front isometric view thereof; and,
FIG. 9 is a perspective view thereof.

The portions of the container dolly illustrated in broken lines form no part of the claimed design. The container shown in broken lines in FIG. 9 is to show environment and forms no part of the claimed design.

1 Claim, 9 Drawing Sheets



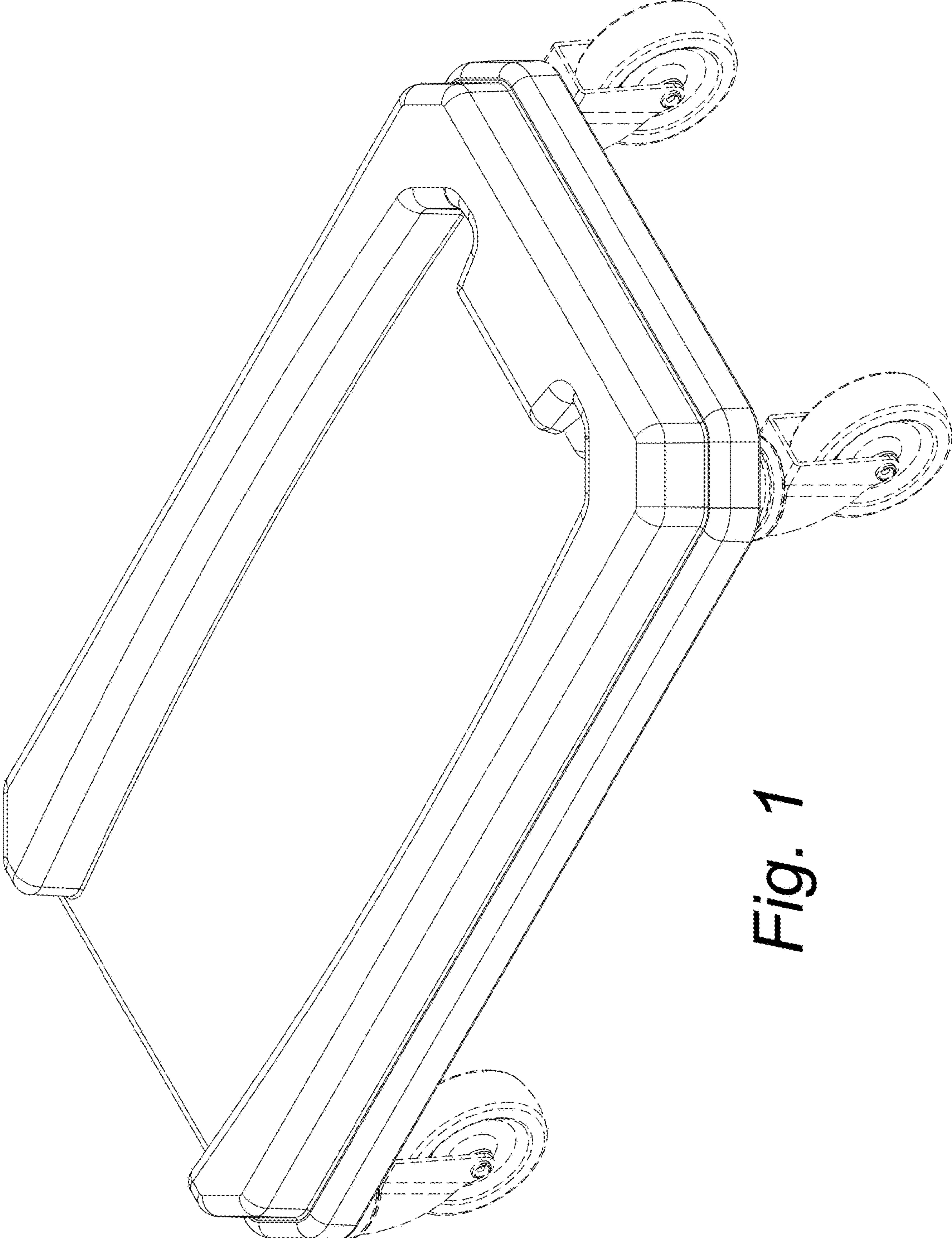


Fig. 1

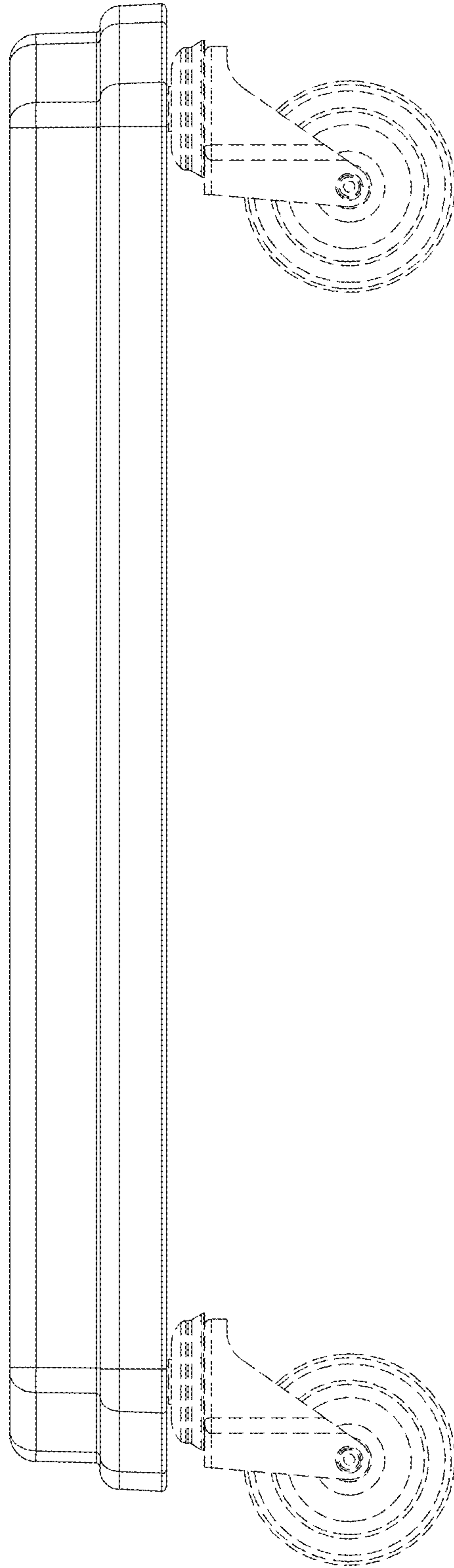


Fig. 2

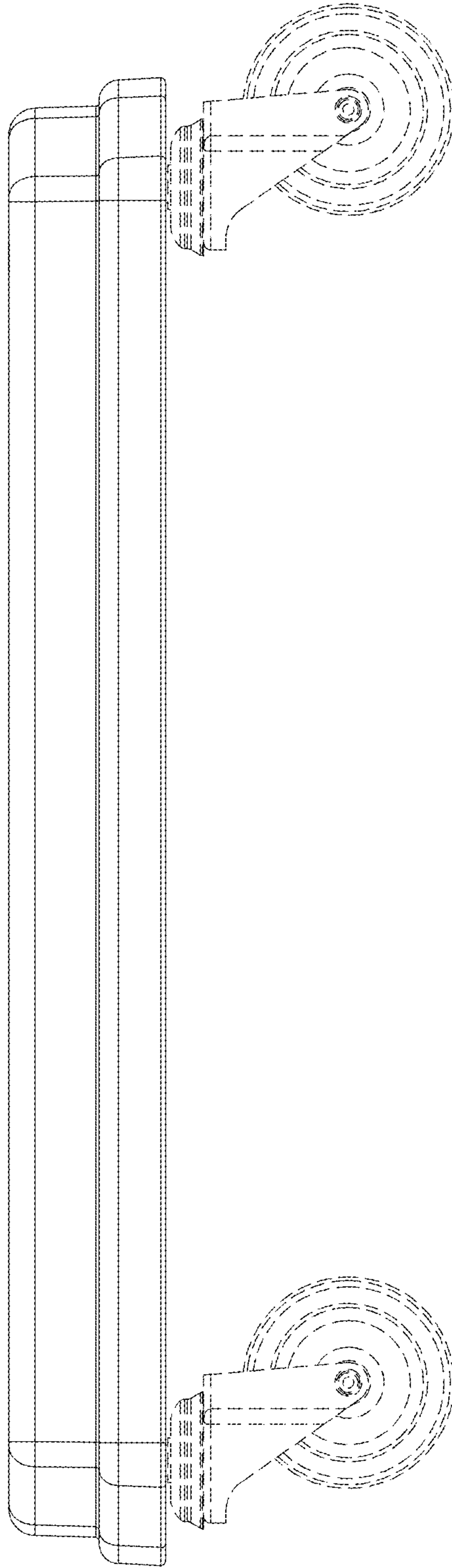


Fig. 3

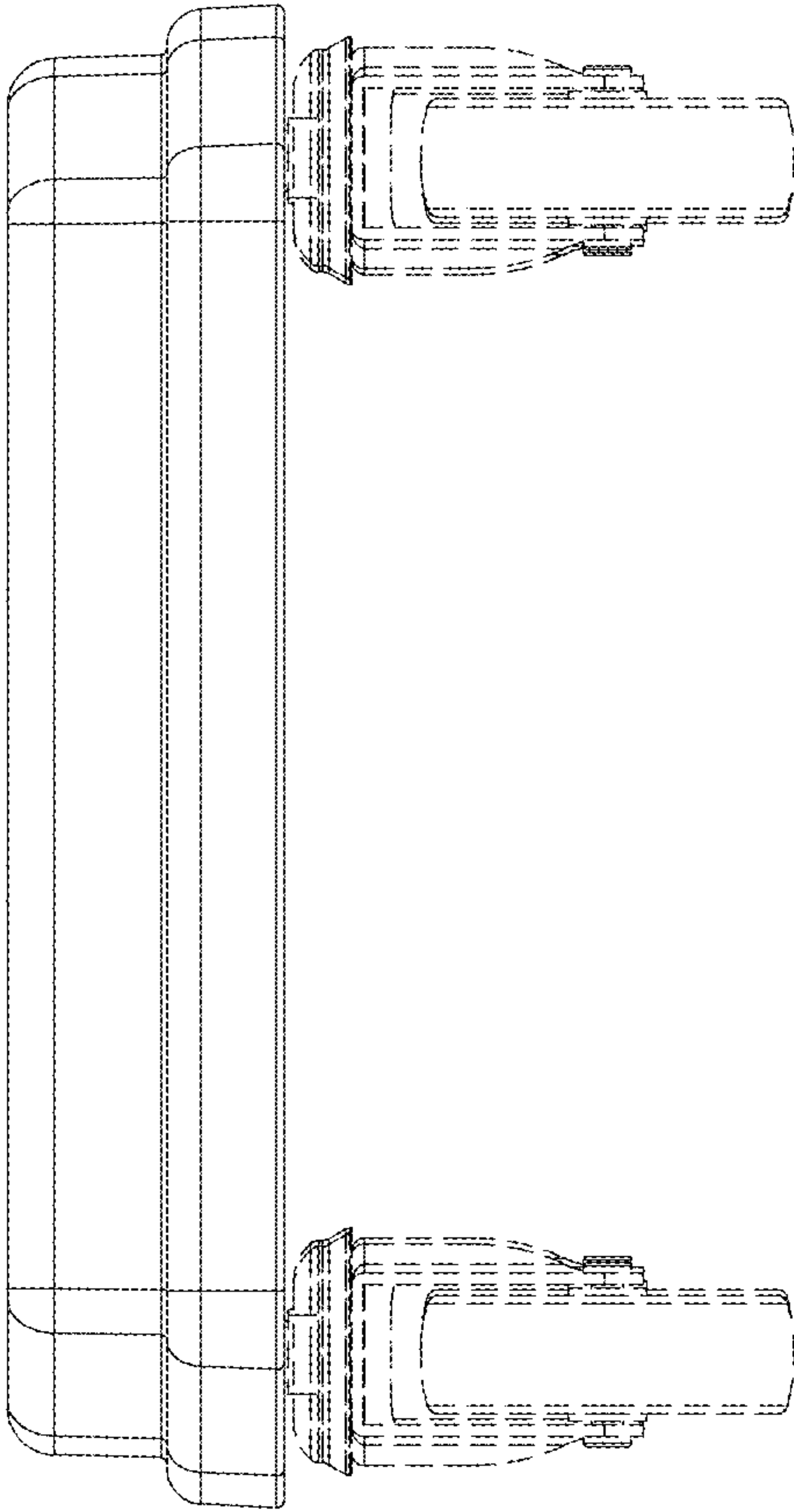


Fig. 4

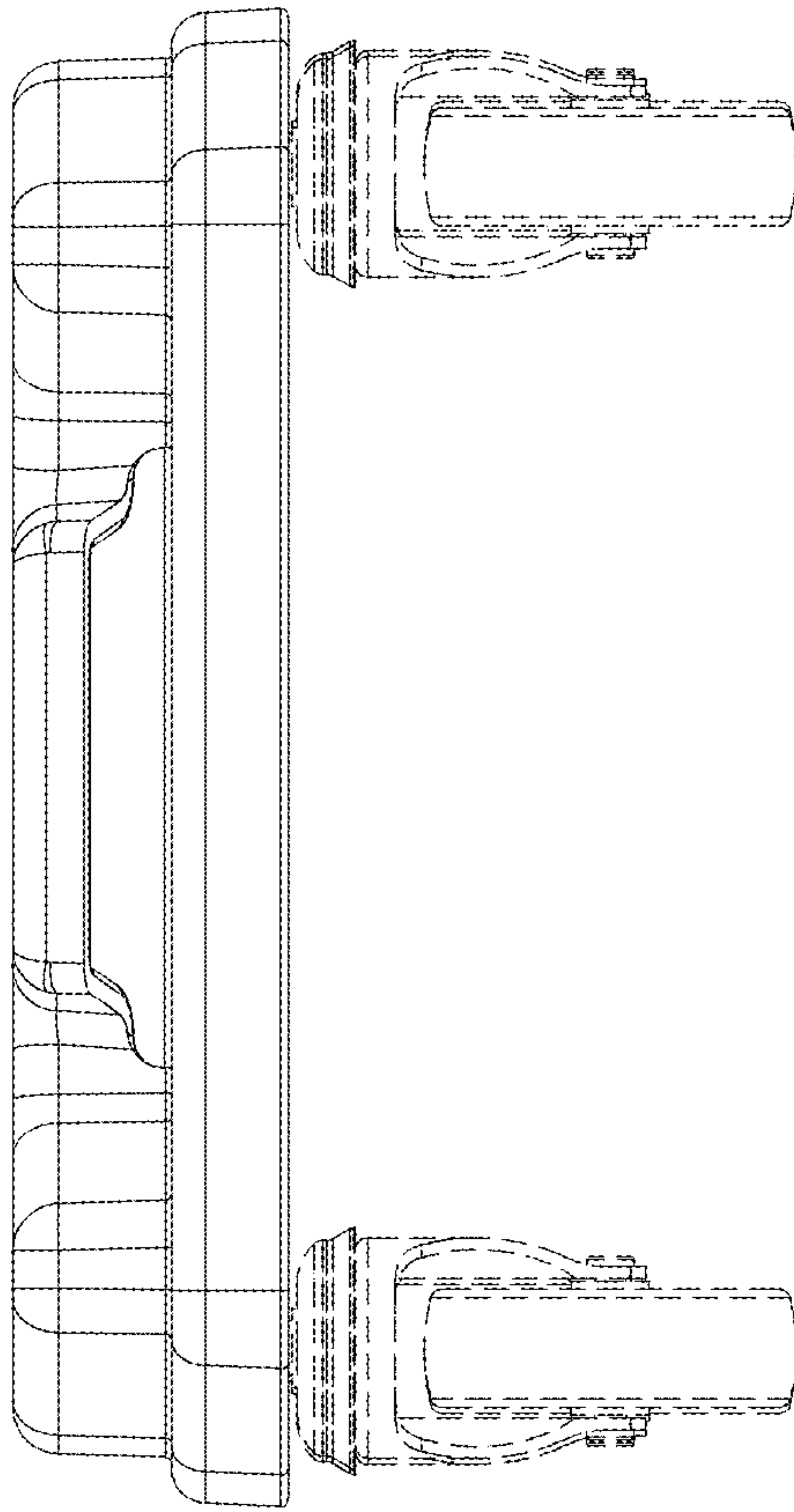


Fig. 5

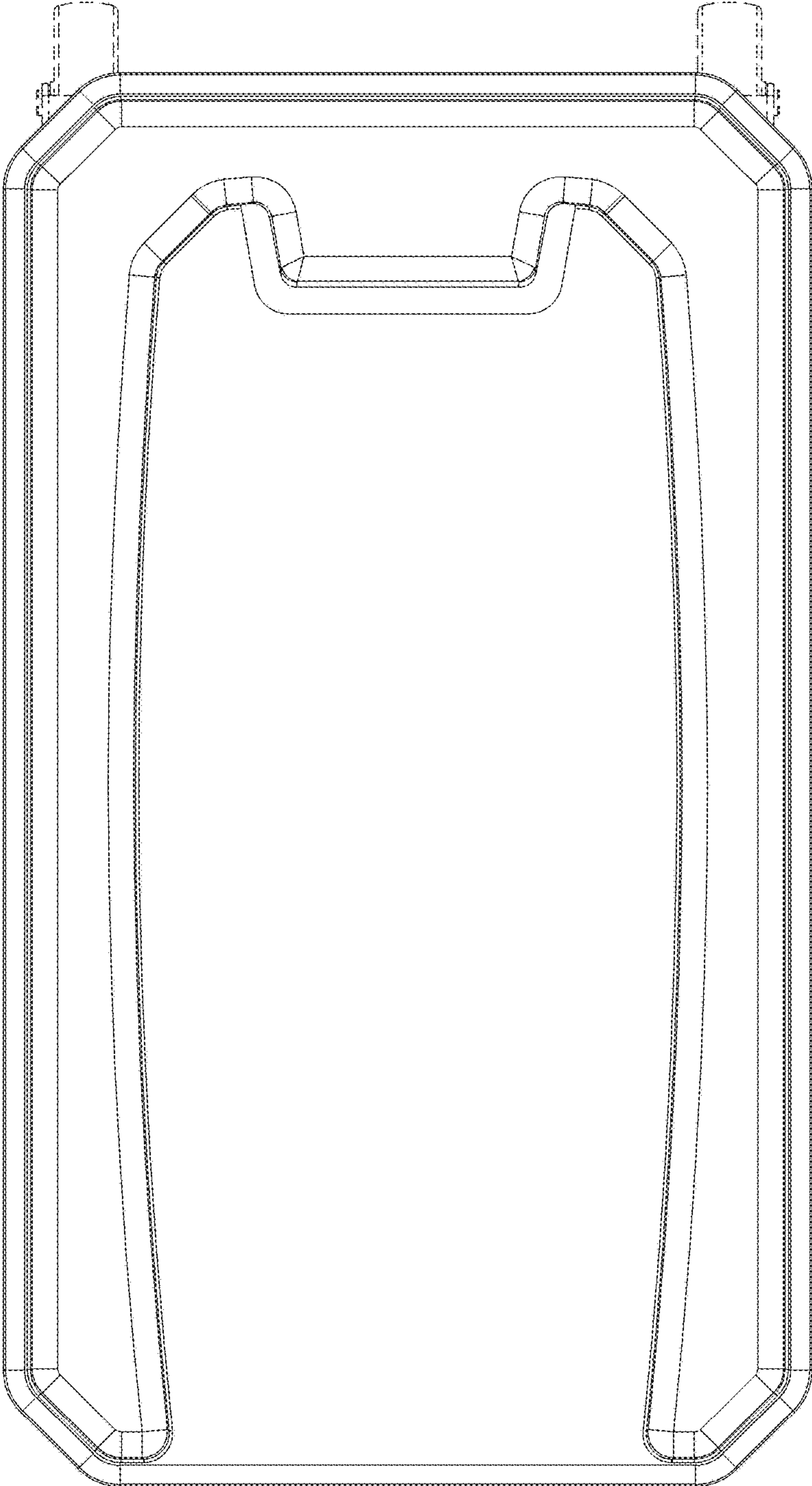


Fig. 6

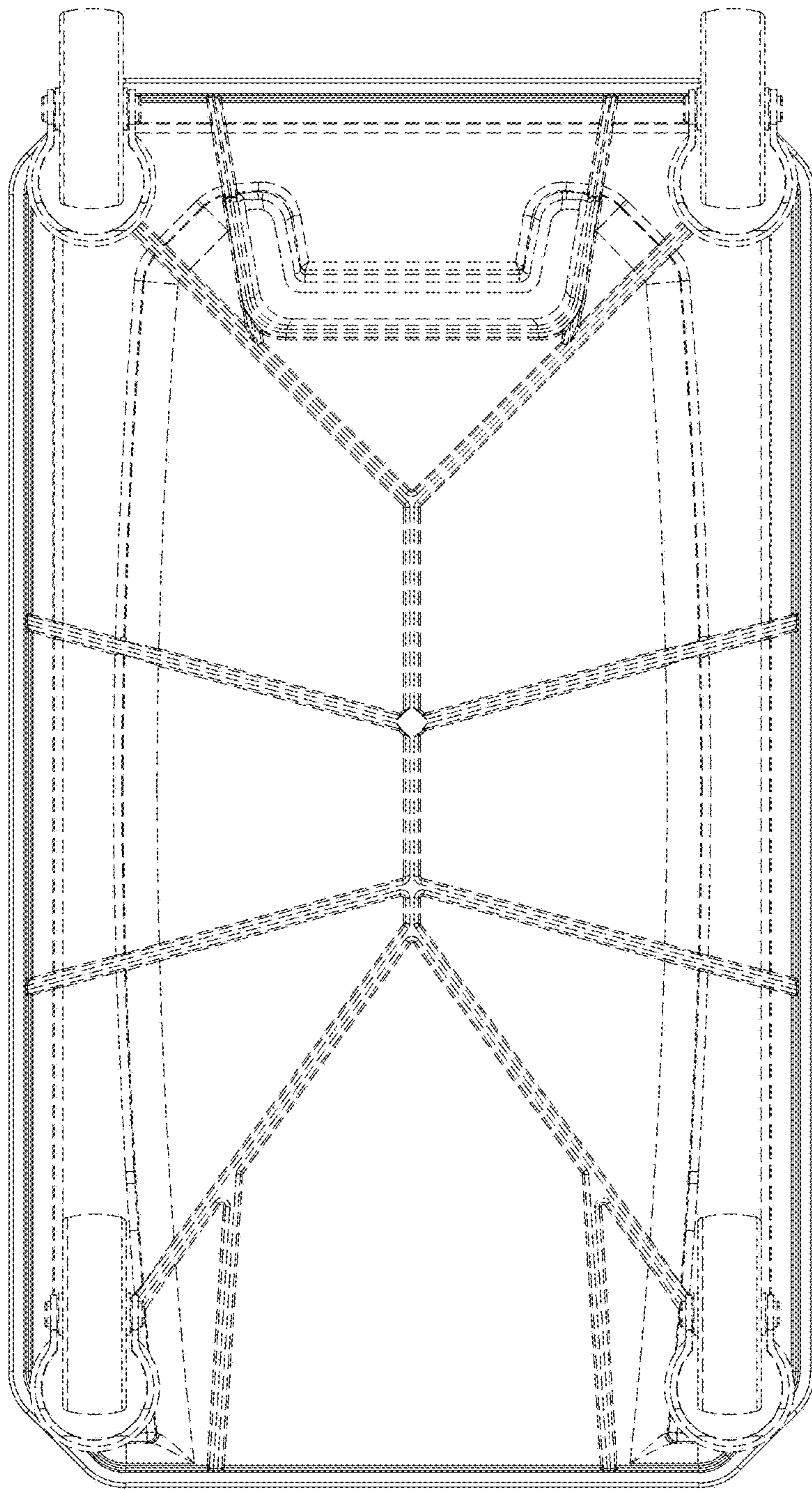


Fig. 7

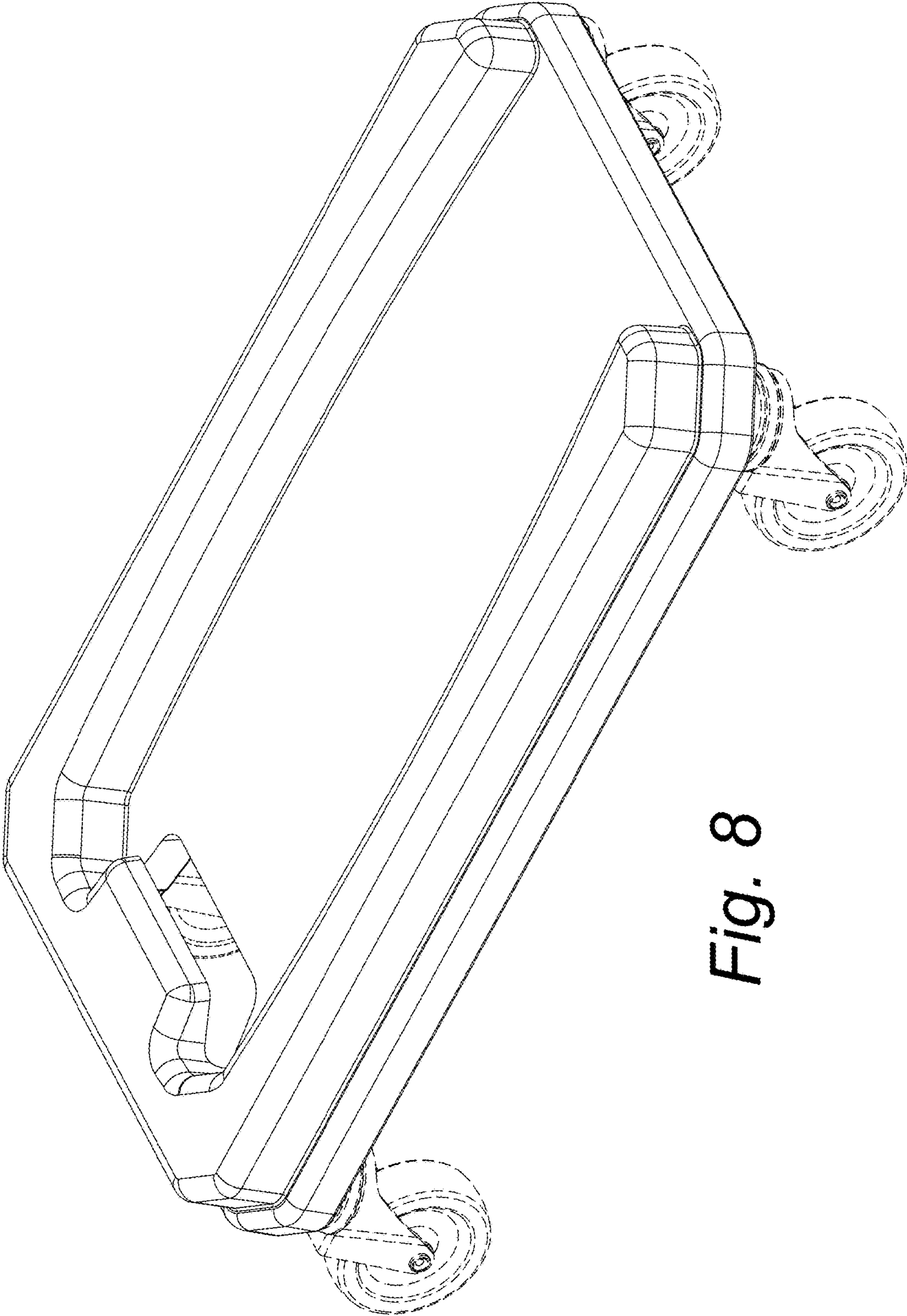


Fig. 8

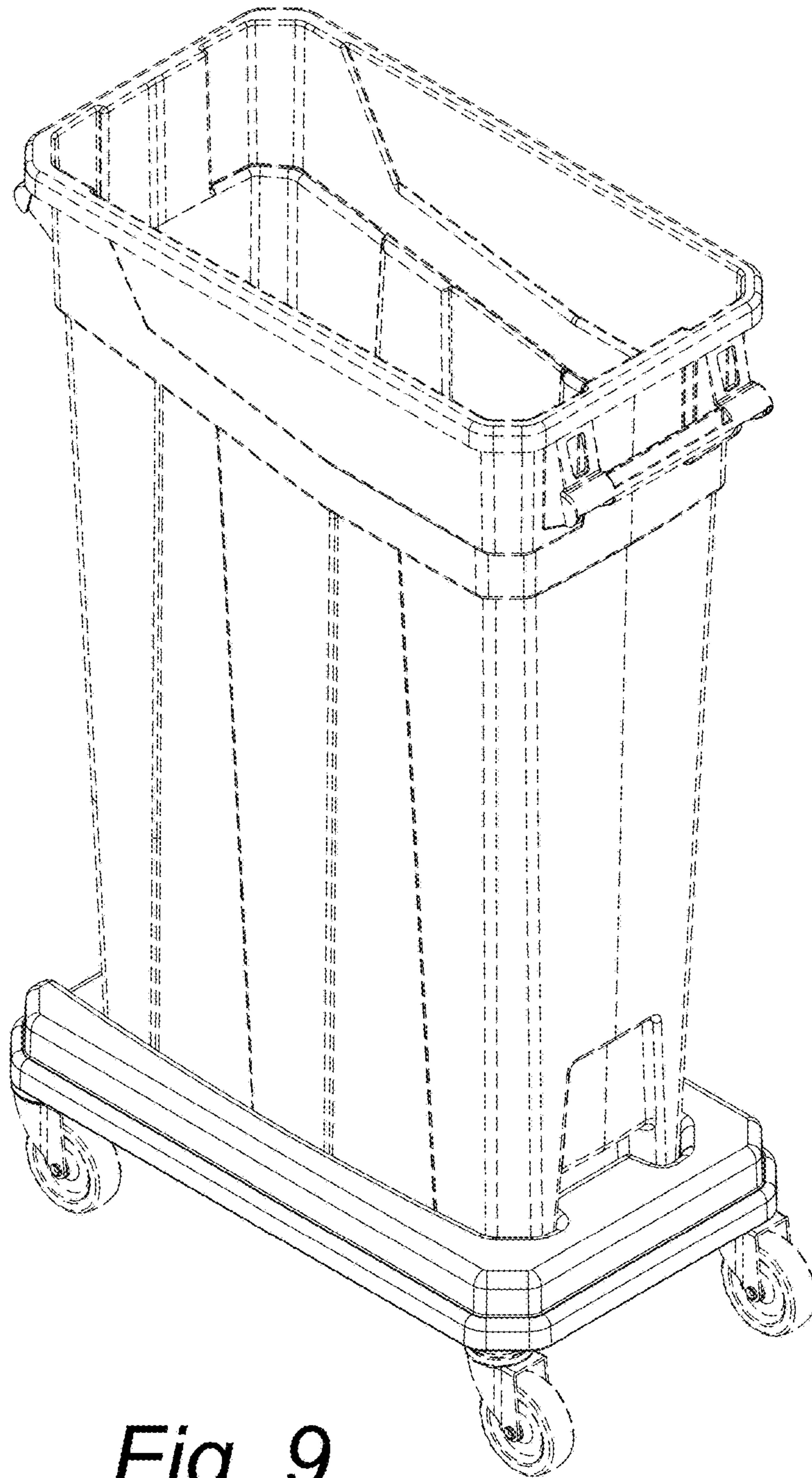


Fig. 9