



US00D822934S

(12) **United States Design Patent**
Duarte et al.

(10) **Patent No.:** **US D822,934 S**
(45) **Date of Patent:** **** Jul. 10, 2018**

- (54) **TOOL TRAY**
- (71) Applicant: **DELK, INC.**, Nashville, TN (US)
- (72) Inventors: **Eugenio Jose Duarte**, Mount Juliet, TN (US); **Luke William Michas**, Nashville, TN (US); **James Matthew Finney**, Nashville, TN (US)
- (73) Assignee: **Delk, Inc.**, Nashville, TN (US)
- (**) Term: **15 Years**
- (21) Appl. No.: **29/588,029**
- (22) Filed: **Dec. 16, 2016**
- (51) **LOC (11) Cl.** **12-02**
- (52) **U.S. Cl.**
USPC **D34/18; D34/23**
- (58) **Field of Classification Search**
USPC D34/12, 18, 23; 248/129
CPC B62B 5/0083; B62B 5/06; B62B 5/05;
B62B 3/00; B62B 3/10; B62B 3/002;
B62B 3/02
See application file for complete search history.

D461,614 S *	8/2002	Liu	D34/23
D494,335 S *	8/2004	Oberg	D34/23
D528,730 S *	9/2006	Genovese	D34/18
D573,774 S *	7/2008	Archer	D34/23
D711,614 S *	8/2014	Shitrit	D34/23
D717,377 S *	11/2014	Orenstein	D21/419
8,899,604 B2 *	12/2014	Orenstein	A63C 17/0026 280/200
D798,521 S *	9/2017	Huddy	D34/23

* cited by examiner

Primary Examiner — Cynthia Ramirez

(74) *Attorney, Agent, or Firm* — Hankin Patent Law, APC; Kevin Schraven; Anooj Patel

(57) **CLAIM**

The ornamental design for a tool tray, as shown and described.

DESCRIPTION

FIG. 1 is a top perspective view of a tool tray showing our new design.

FIG. 2 is a front elevational view thereof.

FIG. 3 is a rear elevational view thereof

FIG. 4 is a side elevational view thereof.

FIG. 5 is a top plan view thereof; and,

FIG. 6 is a bottom plan view thereof.

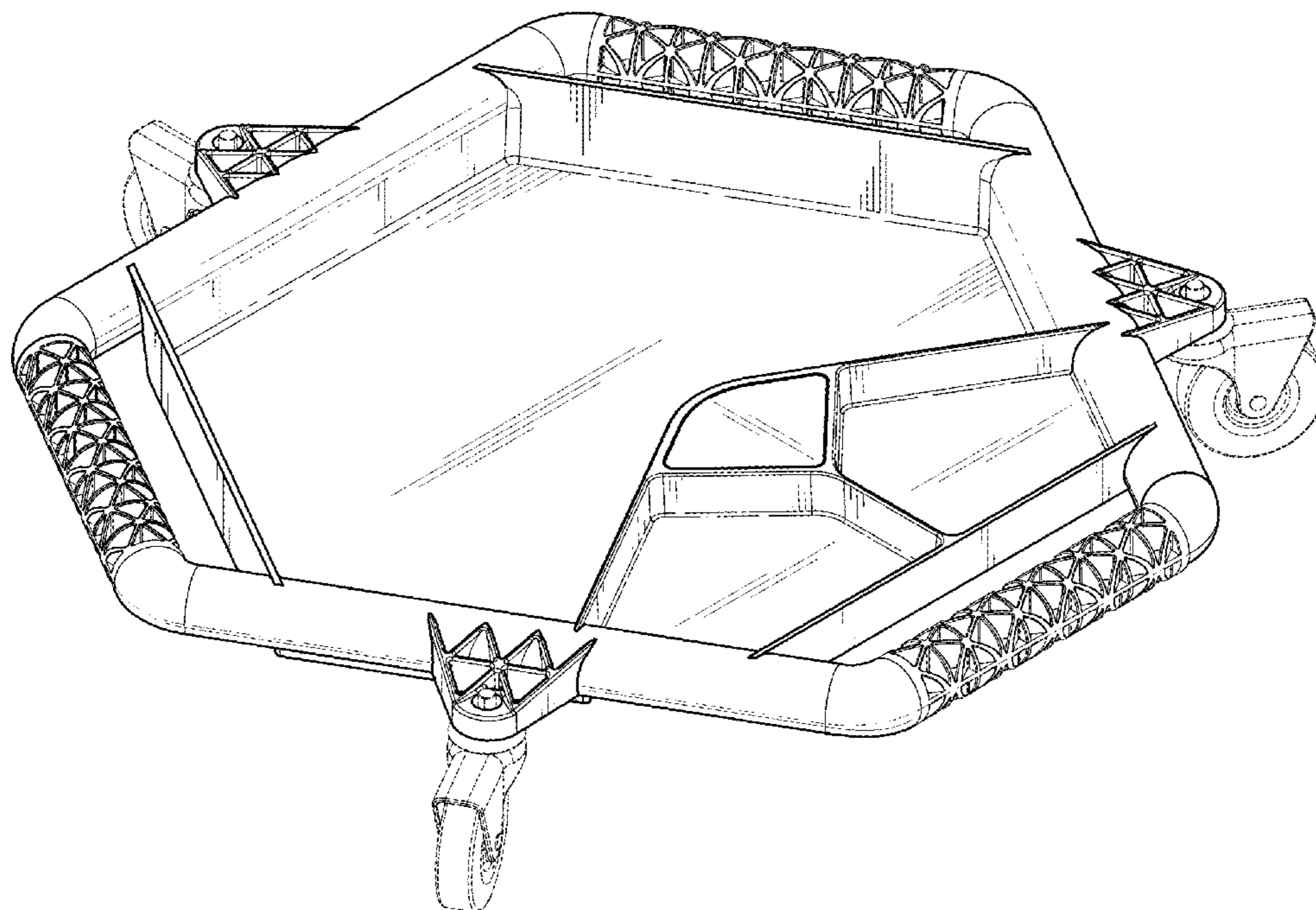
The broken lines showing underside support structure is to show portions of the tool tray that form no part of the claimed design. The wheels shown in broken lines in the figures are to show environment and form no part of the claimed design.

1 Claim, 5 Drawing Sheets

(56) **References Cited**

U.S. PATENT DOCUMENTS

D150,264 S *	7/1948	Snyder	280/79.4
D153,791 S *	5/1949	Gruettner	D34/21
D204,752 S *	5/1966	Tveten	D34/18
D237,872 S *	12/1975	Miller	D34/18
D324,598 S *	3/1992	Clark	D34/12



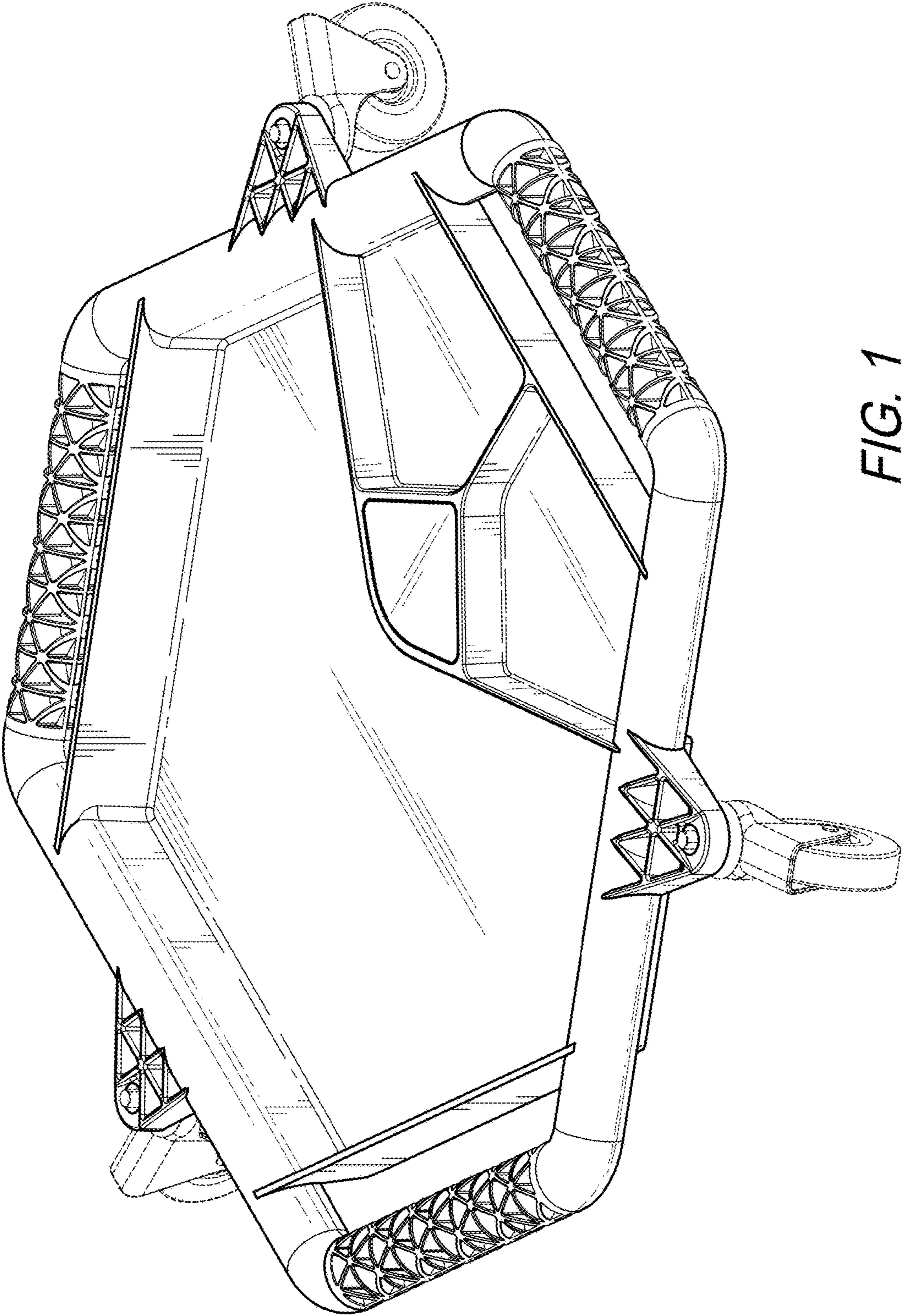


FIG. 1

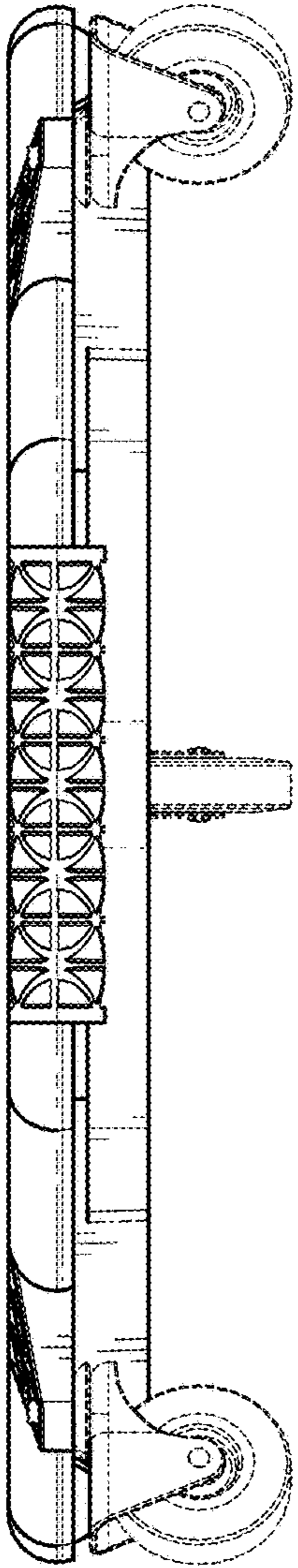


FIG. 2

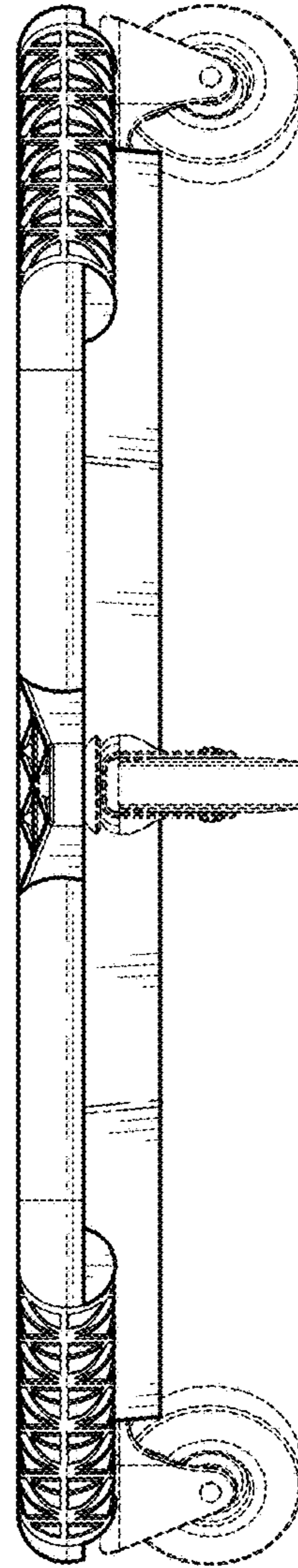


FIG. 3

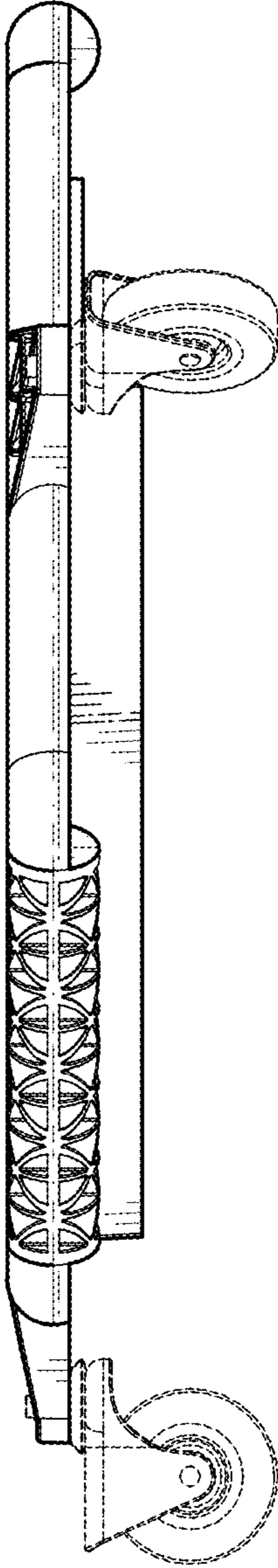


FIG. 4

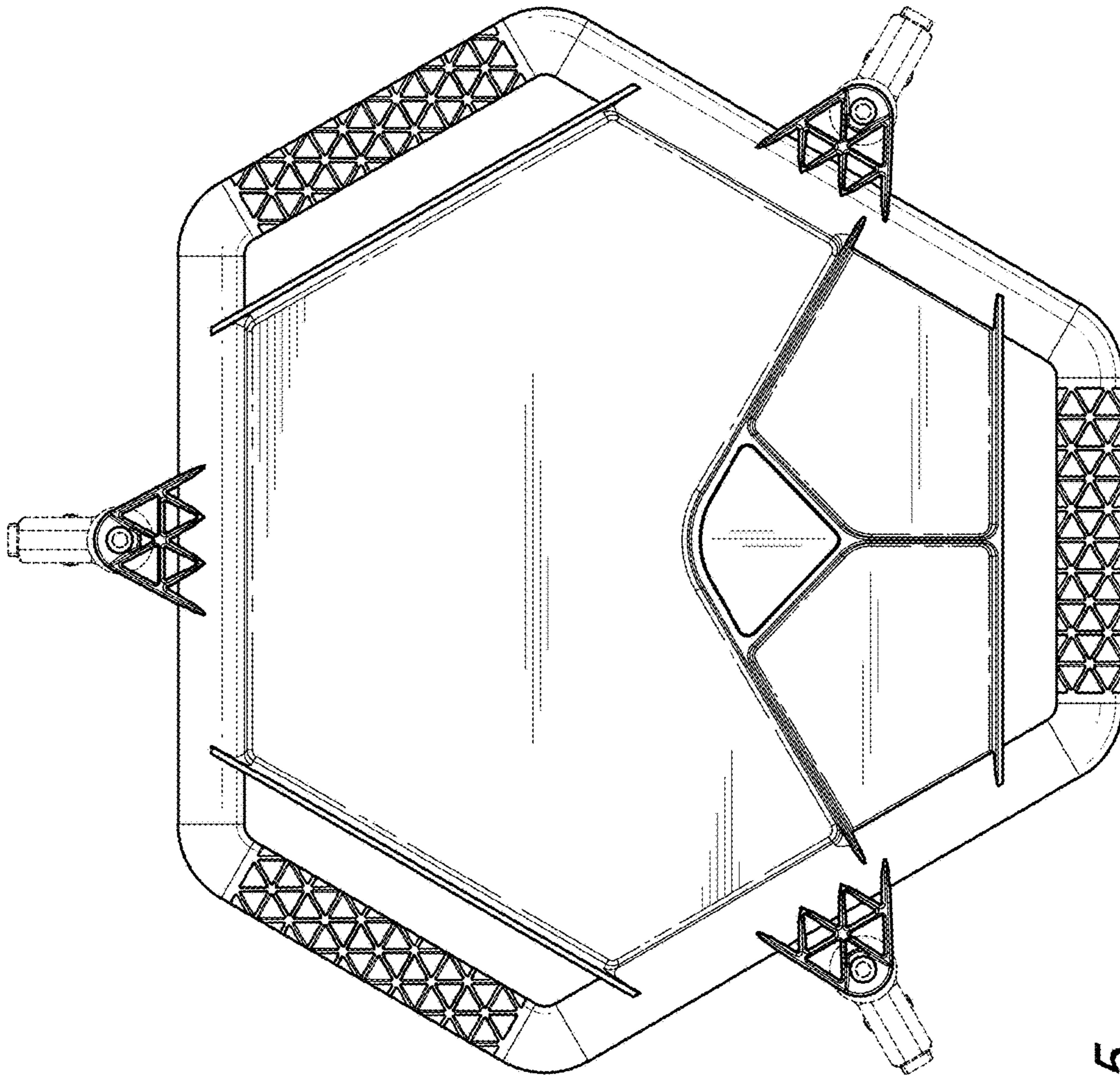


FIG. 5

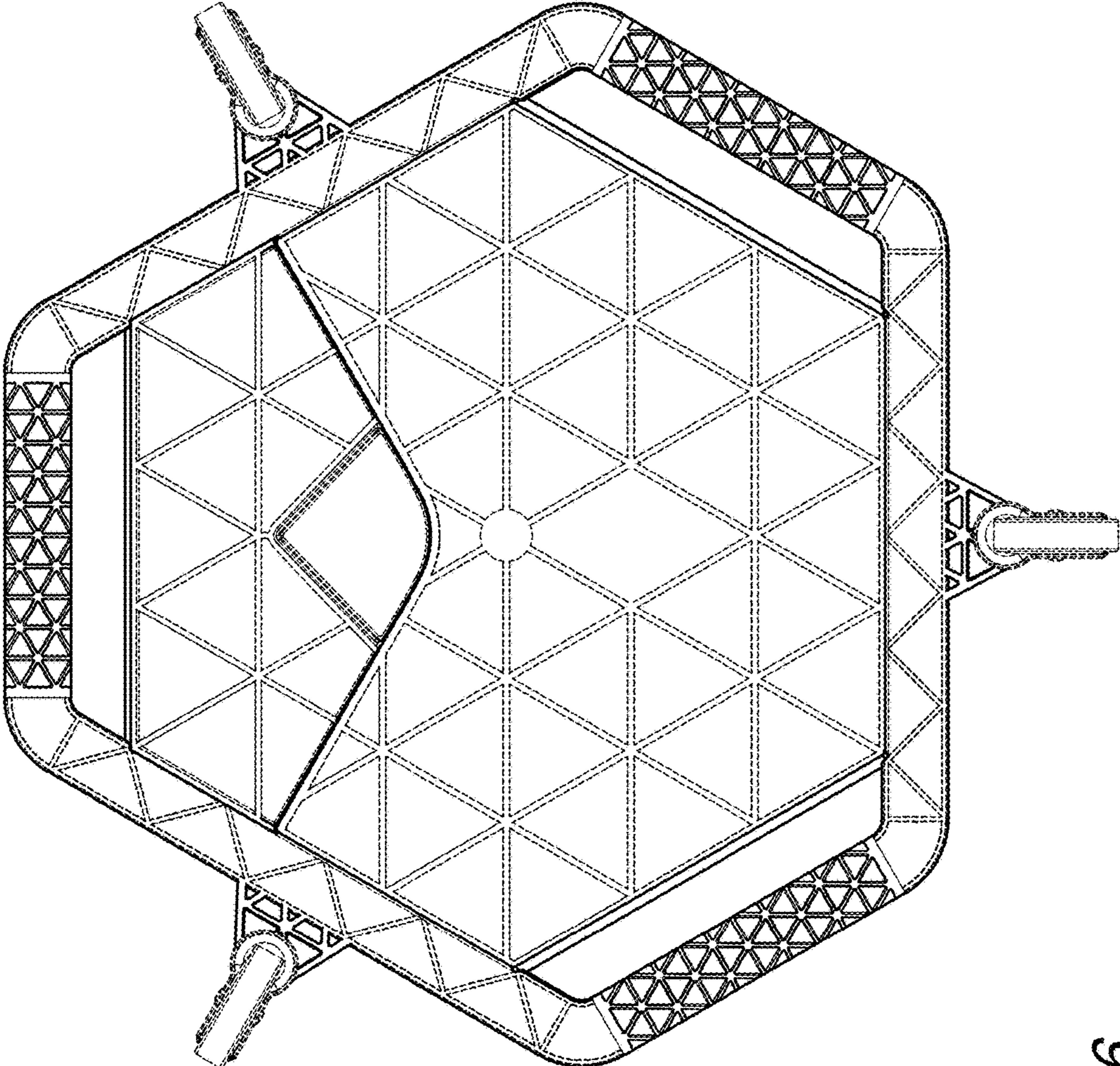


FIG. 6