



US00D822930S

(12) **United States Design Patent** (10) **Patent No.:** **US D822,930 S**
Green (45) **Date of Patent:** **** Jul. 10, 2018**

(54) **DISH DRYING RACK**

FOREIGN PATENT DOCUMENTS

(71) Applicant: **Umbra LLC**, Buffalo, NY (US)

CA 168652 S 3/2017
JP 2017113509 A 6/2017

(72) Inventor: **David Green**, Toronto (CA)

OTHER PUBLICATIONS

(73) Assignee: **Umbra LLC**, Buffalo, NY (US)

Handish Dish Drying Mat; B4Market Design; Available at: <https://www.youtube.com/watch?v=emBegADbSSQ>; Published Nov. 5, 2013. Last accessed Jan. 11, 2018.

(**) Term: **15 Years**

(Continued)

(21) Appl. No.: **29/607,656**

(22) Filed: **Jun. 15, 2017**

Primary Examiner — Austin Murphy

(51) **LOC (11) Cl.** **07-05**

(74) *Attorney, Agent, or Firm* — Simpson & Simpson, PLLC

(52) **U.S. Cl.**
USPC **D32/55**

(57) **CLAIM**

(58) **Field of Classification Search**
USPC D32/55, 276, 3; D6/510, 525; D30/133;
211/41.5, 41.4, 41.3, 41.8; 361/679.4;
312/311, 333, 334.4; D7/354, 629
CPC A47J 47/20; A47J 2201/00; A47J 47/00;
B65D 35/02; B65D 35/22; B65D 35/56
See application file for complete search history.

The ornamental design for a dish drying rack, as shown and described.

DESCRIPTION

(56) **References Cited**

U.S. PATENT DOCUMENTS

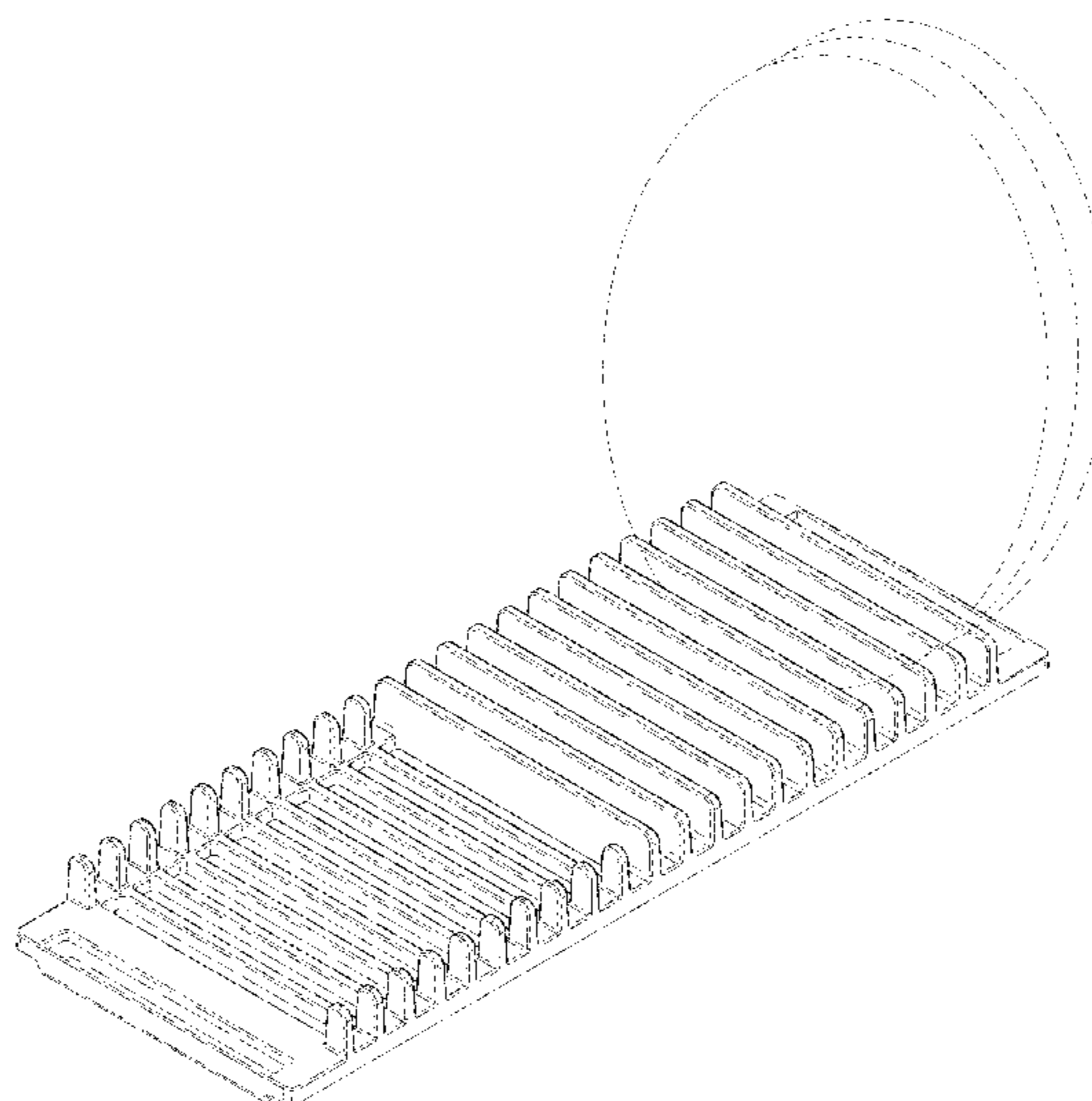
2,479,118 A	8/1949	Jeness	
4,531,641 A	7/1985	Archambault	
D347,717 S	6/1994	Chapin	
D353,921 S	12/1994	Lippisch et al.	
D398,725 S	9/1998	Merkel	
6,170,676 B1	1/2001	Patadia et al.	
6,357,605 B1	3/2002	Martorella	
6,502,704 B2	1/2003	Martorella et al.	
6,581,774 B1	6/2003	Galafassi et al.	
D490,198 S	5/2004	Jerstroem et al.	
D599,067 S *	8/2009	Yang	D32/55
D663,912 S *	7/2012	Le	D32/55
D690,069 S *	9/2013	Sofy	D32/55
D692,199 S	10/2013	Huang	

(Continued)

FIG. 1 is a perspective view of the dish drying rack of the present invention;
FIG. 2 is a top plan view of the invention shown in FIG. 1;
FIG. 3 is a bottom plan view of the invention shown in FIG. 1;
FIG. 4 is a left side elevational view of the invention shown in FIG. 1;
FIG. 5 is a right side elevational view of the invention shown in FIG. 1;
FIG. 6 is a front elevational view of the invention shown in FIG. 1; and,
FIG. 7 is a rear elevational view of the invention shown in FIG. 1.

The broken line illustrations shown in the drawings depict environmental subject matter for illustrative purposes only and form no part of the claimed design. In particular, the dishes illustrated in FIG. 1 in broken lines are to show the invention in context only and form no part of the claimed design.

1 Claim, 5 Drawing Sheets



(56)

References Cited

U.S. PATENT DOCUMENTS

D693,081 S * 11/2013 Yang D32/55
D693,082 S 11/2013 Evans et al.
8,573,410 B2 11/2013 Chalifoux
D695,482 S * 12/2013 Huang D32/55
D696,829 S * 12/2013 Huang D32/55
D732,256 S 6/2015 Huang
D736,488 S * 8/2015 Le D32/55
9,107,552 B2 8/2015 Micek et al.
D750,337 S * 2/2016 Duvigneau D32/55
D773,142 S * 11/2016 Green A47L 19/00
D32/55
D774,719 S 12/2016 Green
D776,386 S 1/2017 Green
D781,518 S * 3/2017 Green D32/55
D801,612 S 10/2017 Green
2008/0149644 A1 6/2008 Piacenza et al.
2008/0179264 A1 7/2008 Abrams
2008/0210648 A1 9/2008 Davis
2008/0283480 A1 11/2008 Segall et al.
2013/0105423 A1 5/2013 Chalifoux
2017/0172378 A1 6/2017 Green

OTHER PUBLICATIONS

Design U.S. Appl. No. 29/560,273 for Combination Drying Mat and Rack; Inventor: David Green; Application not yet published.

* cited by examiner

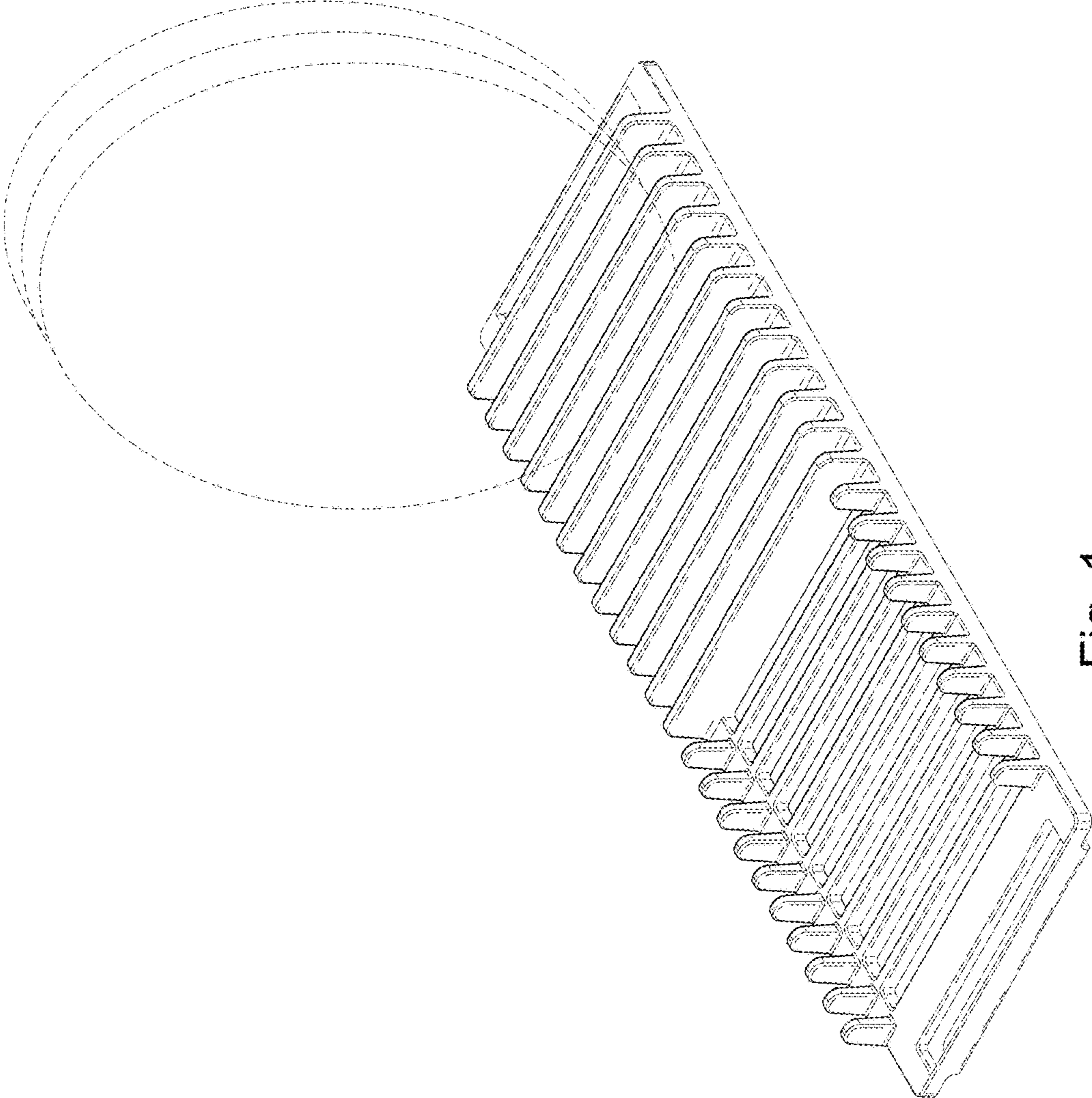


Fig. 1

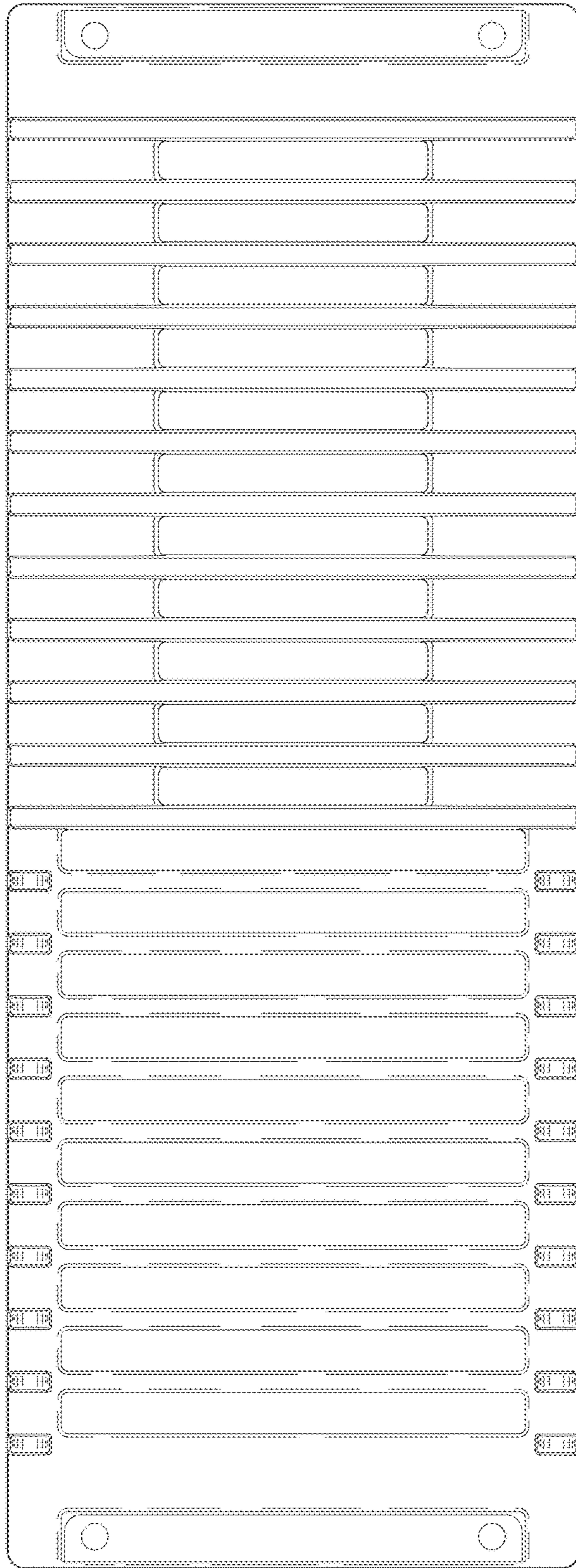


Fig. 2

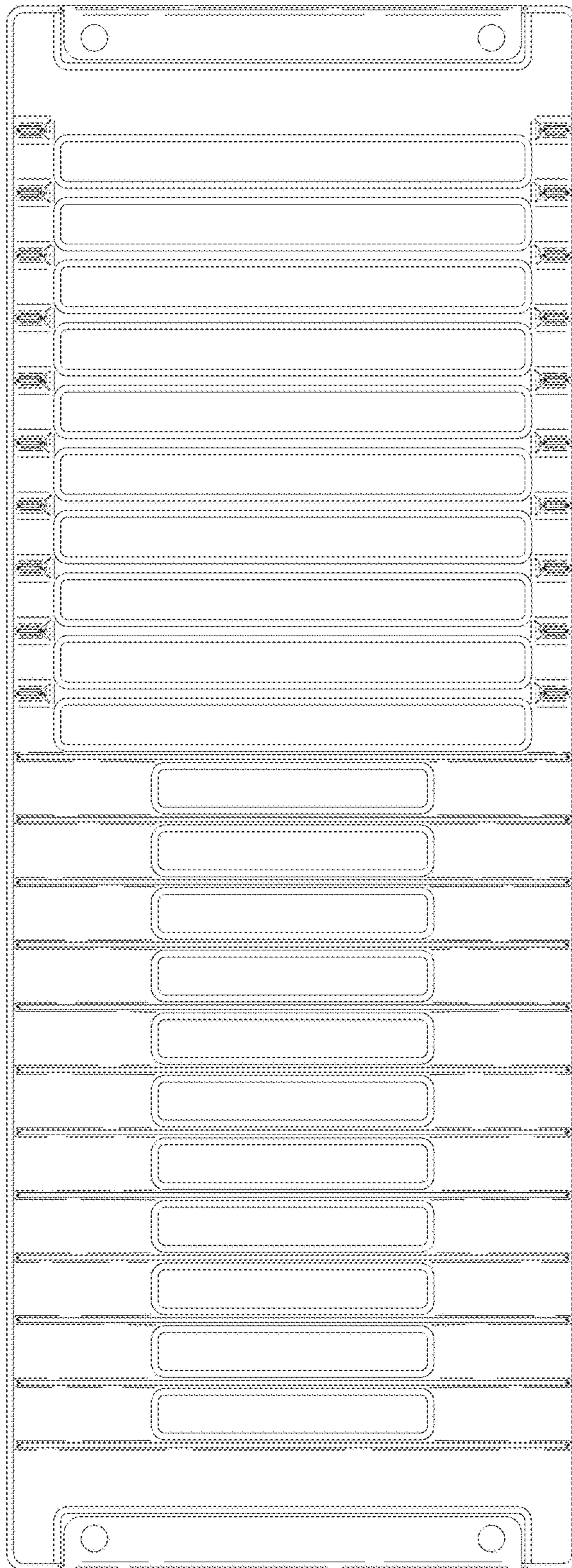


Fig. 3

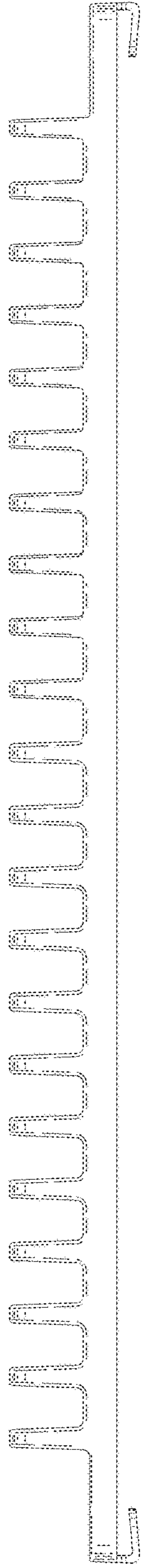


Fig. 4

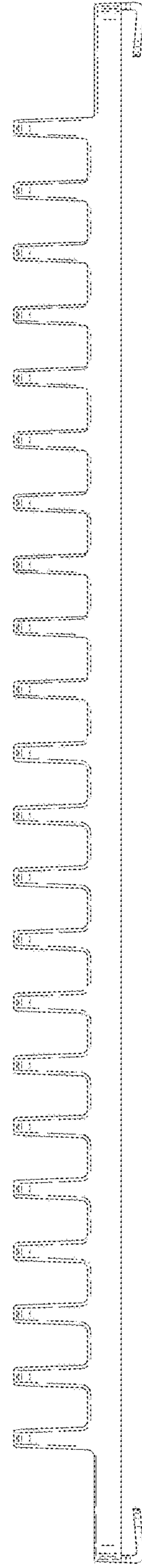


Fig. 5

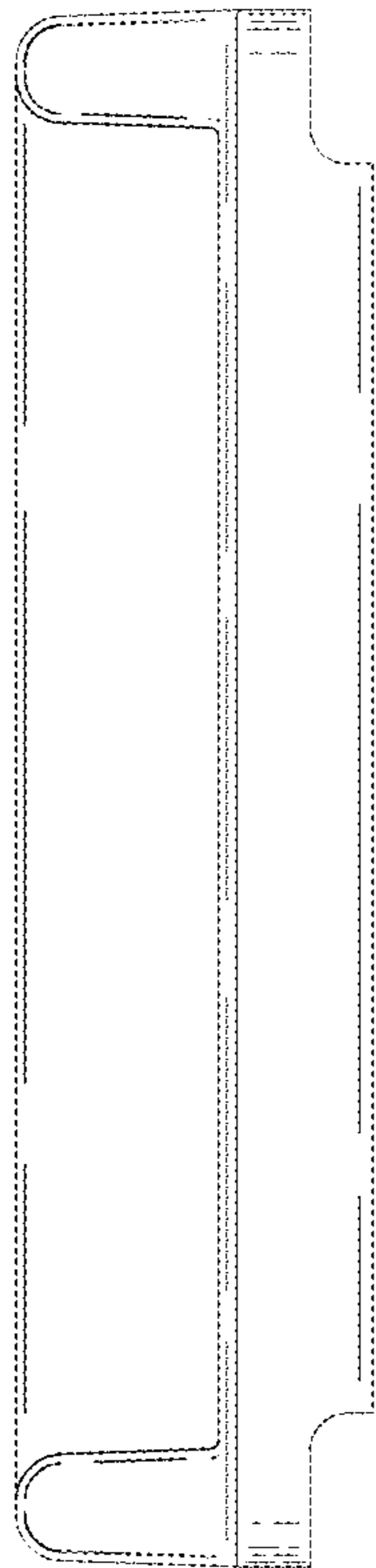


Fig. 6

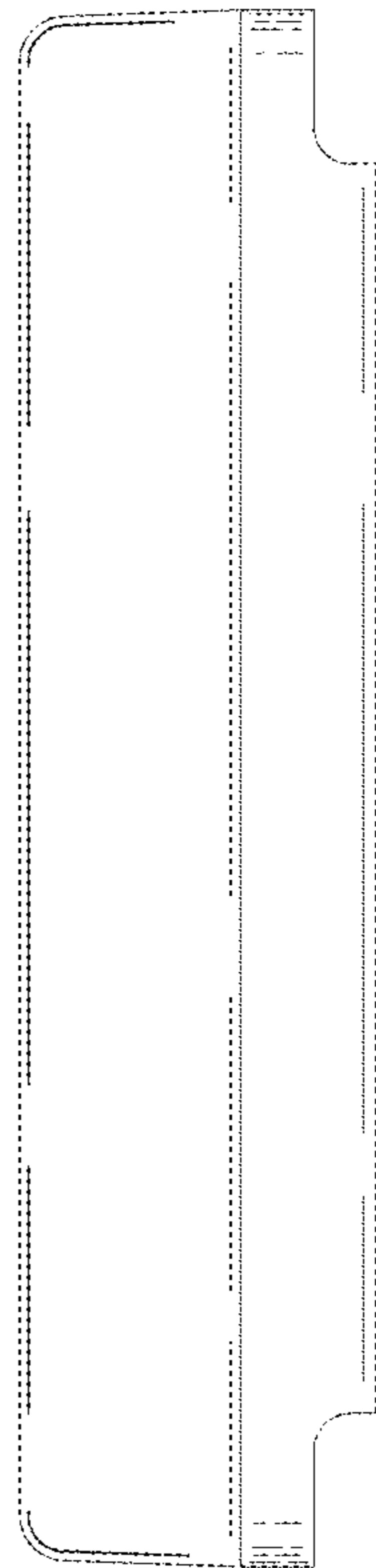


Fig. 7