



US00D822929S

(12) **United States Design Patent**  
**Kim**

(10) **Patent No.:** **US D822,929 S**  
(45) **Date of Patent:** **\*\* Jul. 10, 2018**

- (54) **DISH DRYER**
- (71) Applicant: **NINEWARE Co., Ltd**, Hwaseong-si (KR)
- (72) Inventor: **Heekyoung Kim**, Siheung-si (KR)
- (73) Assignee: **NINEWARE CO., LTD**, Mado-Ro, Mado-Myeon, Hwaseong-si (KR)

D599,069 S *	8/2009	Curtin	.....	D32/55
D624,721 S *	9/2010	Curtin	.....	D32/55
D667,190 S *	9/2012	Miller	.....	D32/55
D677,443 S *	3/2013	Urdaneta	.....	D32/55
D690,069 S *	9/2013	Sofy	.....	D32/55
D693,081 S *	11/2013	Yang	.....	D32/55
D699,413 S *	2/2014	Huang	.....	D32/55
D714,508 S *	9/2014	Joy	.....	D32/55
D750,337 S *	2/2016	Duvigneau	.....	D32/55
D766,530 S *	9/2016	Kent	.....	D32/55
D783,216 S *	4/2017	Huang	.....	D32/55

(\*\*) Term: **15 Years**

\* cited by examiner

(21) Appl. No.: **29/602,233**

*Primary Examiner* — Austin Murphy

(22) Filed: **Apr. 28, 2017**

(74) *Attorney, Agent, or Firm* — Heedong Chae; Lucem, PC

(51) **LOC (11) Cl.** ..... **07-05**

(52) **U.S. Cl.**

USPC ..... **D32/55**

(58) **Field of Classification Search**

USPC ..... D32/55, 276, 3; D6/510, 525; D30/133;  
 211/41.5, 41.4, 41.3, 41.8; 361/679.4;  
 312/311, 333, 334.4; D7/354, 629  
 CPC ..... A47J 47/20; A47J 2201/00; A47J 47/00;  
 B65D 35/02; B65D 35/22; B65D 35/56  
 See application file for complete search history.

(57) **CLAIM**

The ornamental design for a dish dryer, as shown and described.

**DESCRIPTION**

FIG. 1 is a front perspective view of a dish dryer showing my new design;  
 FIG. 2 is a front elevational view thereof;  
 FIG. 3 is a rear elevational view thereof;  
 FIG. 4 is a left side elevational view thereof;  
 FIG. 5 is a right side elevational view thereof;  
 FIG. 6 is a top plan view thereof; and,  
 FIG. 7 is a bottom plan view thereof.

(56) **References Cited**

U.S. PATENT DOCUMENTS

D586,061 S *	2/2009	Curtin	.....	D32/55
D599,067 S *	8/2009	Yang	.....	D32/55

**1 Claim, 5 Drawing Sheets**

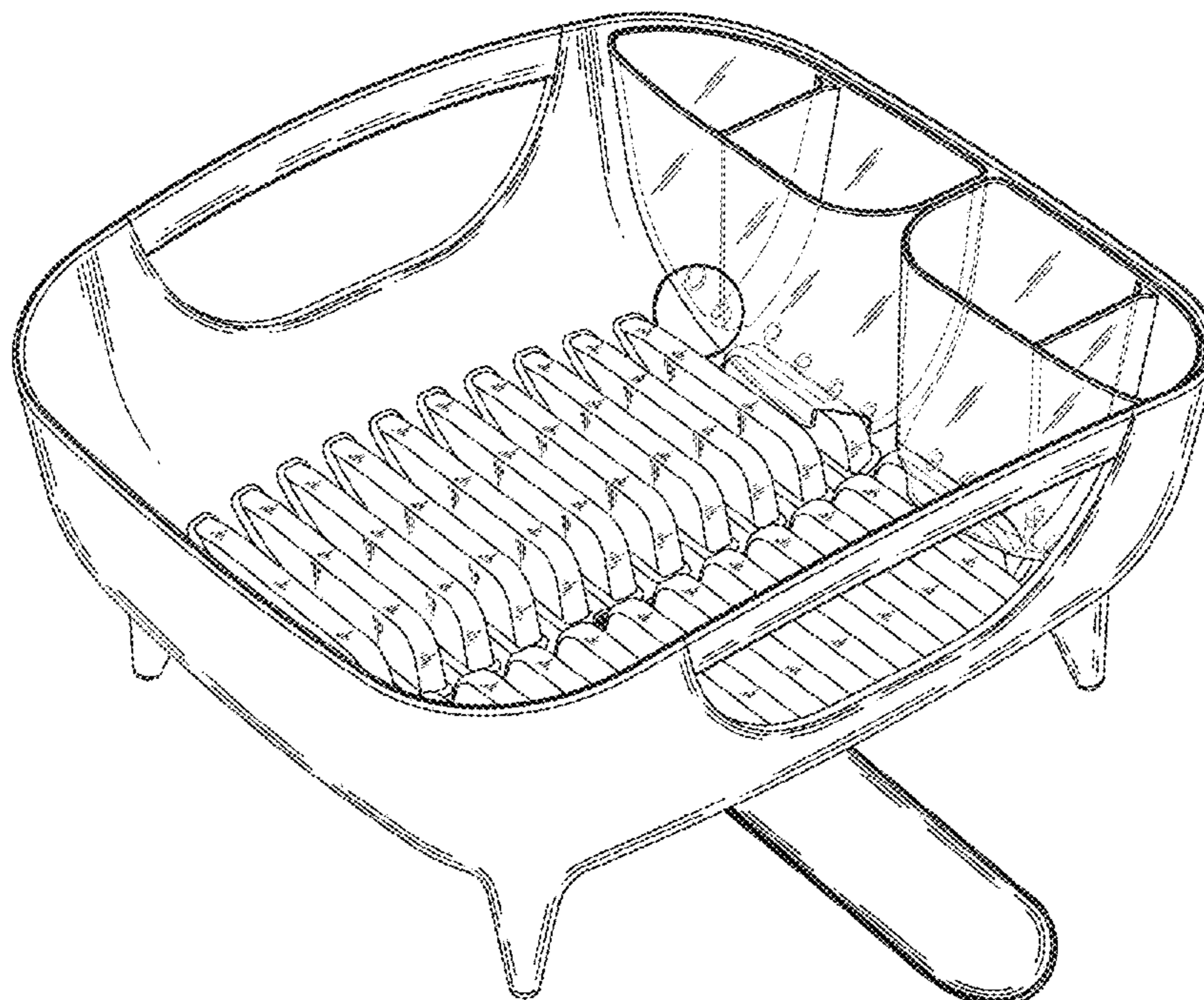


FIG. 1

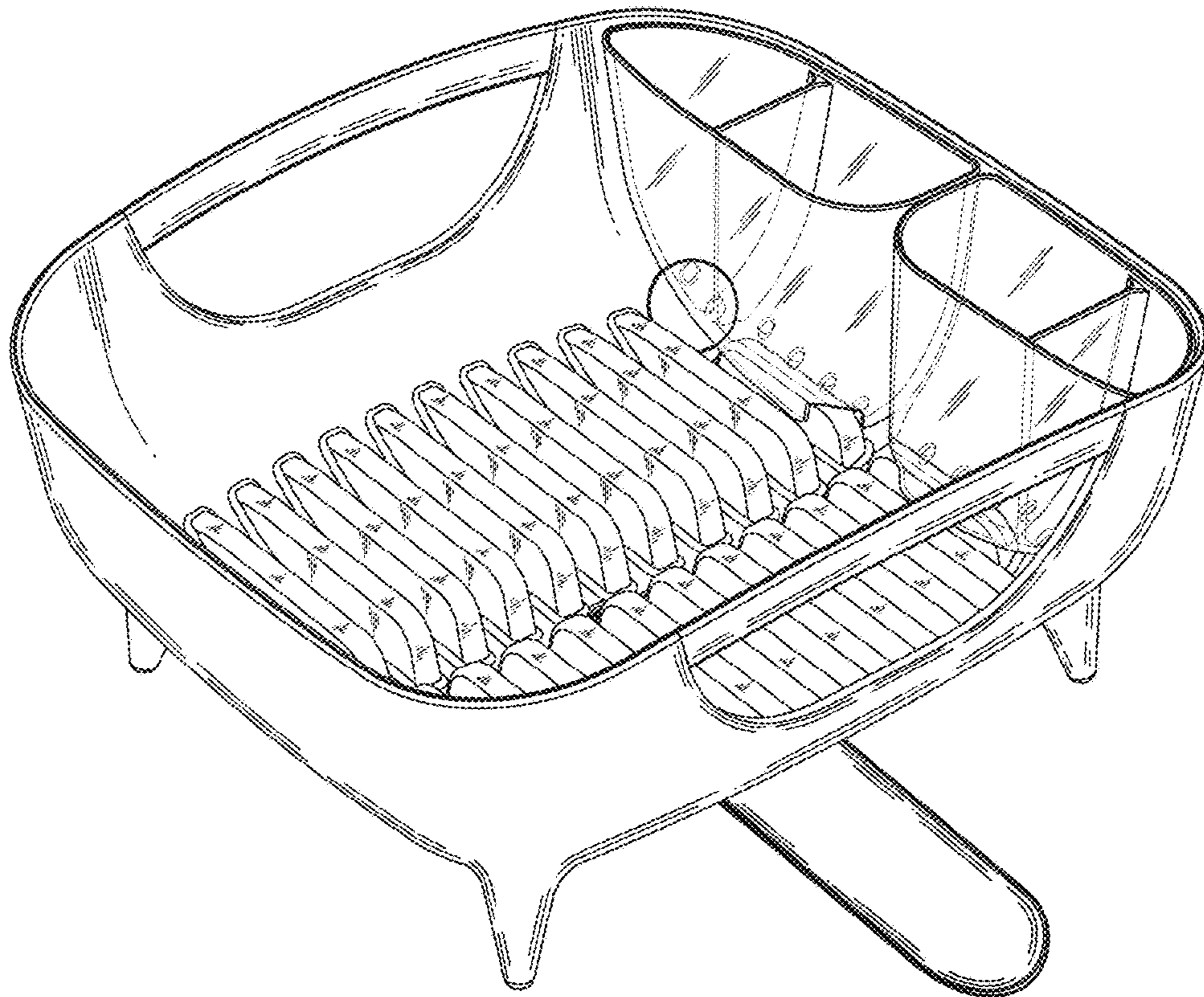


FIG. 2

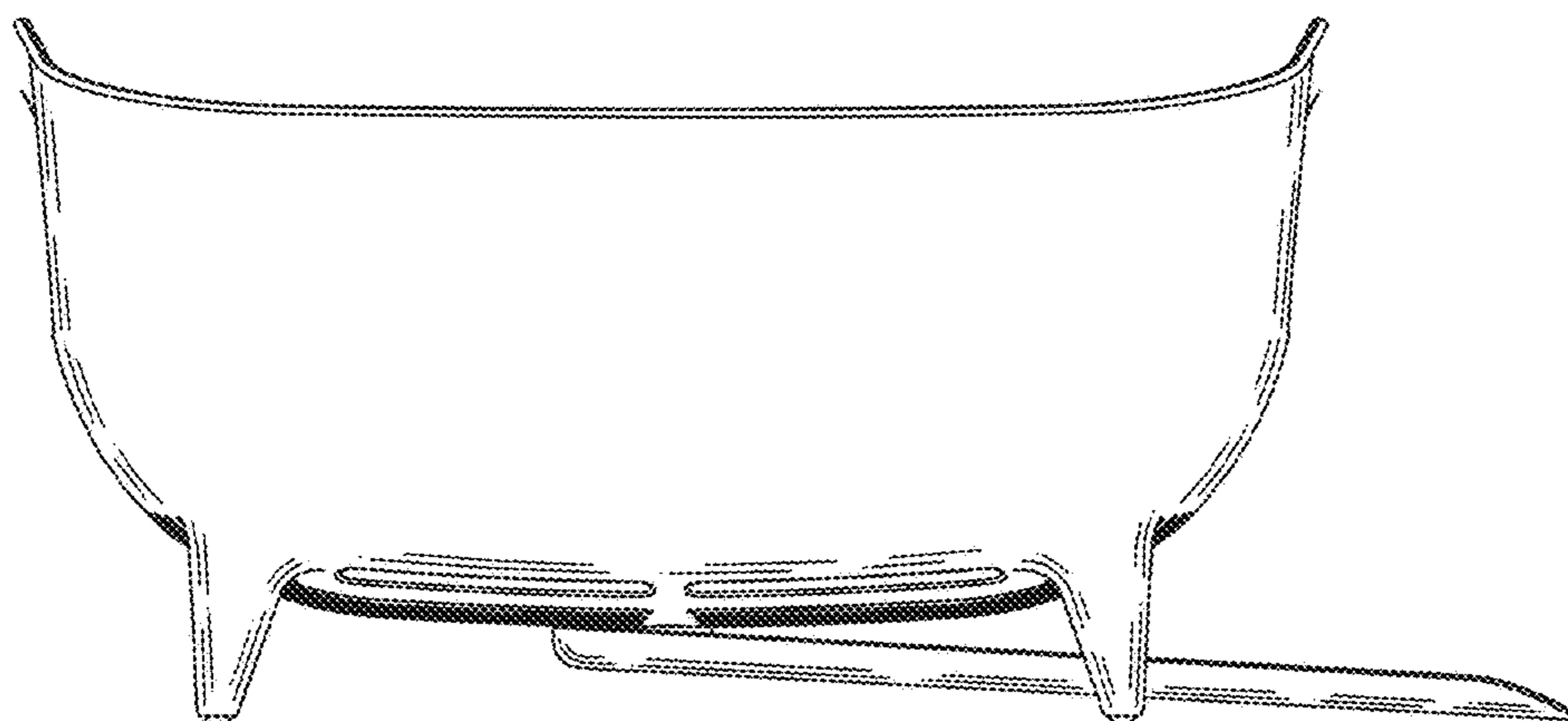




FIG. 3

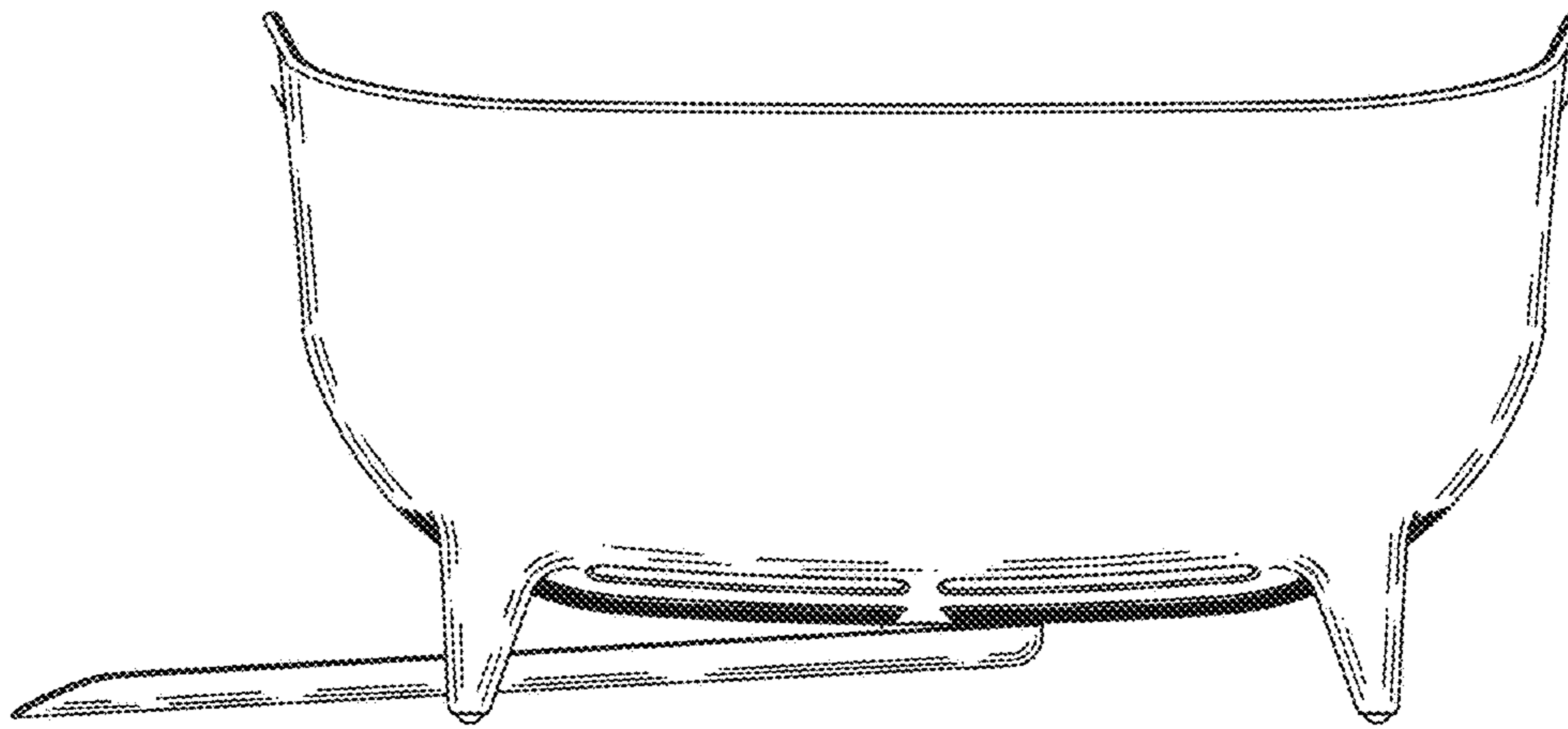


FIG. 4

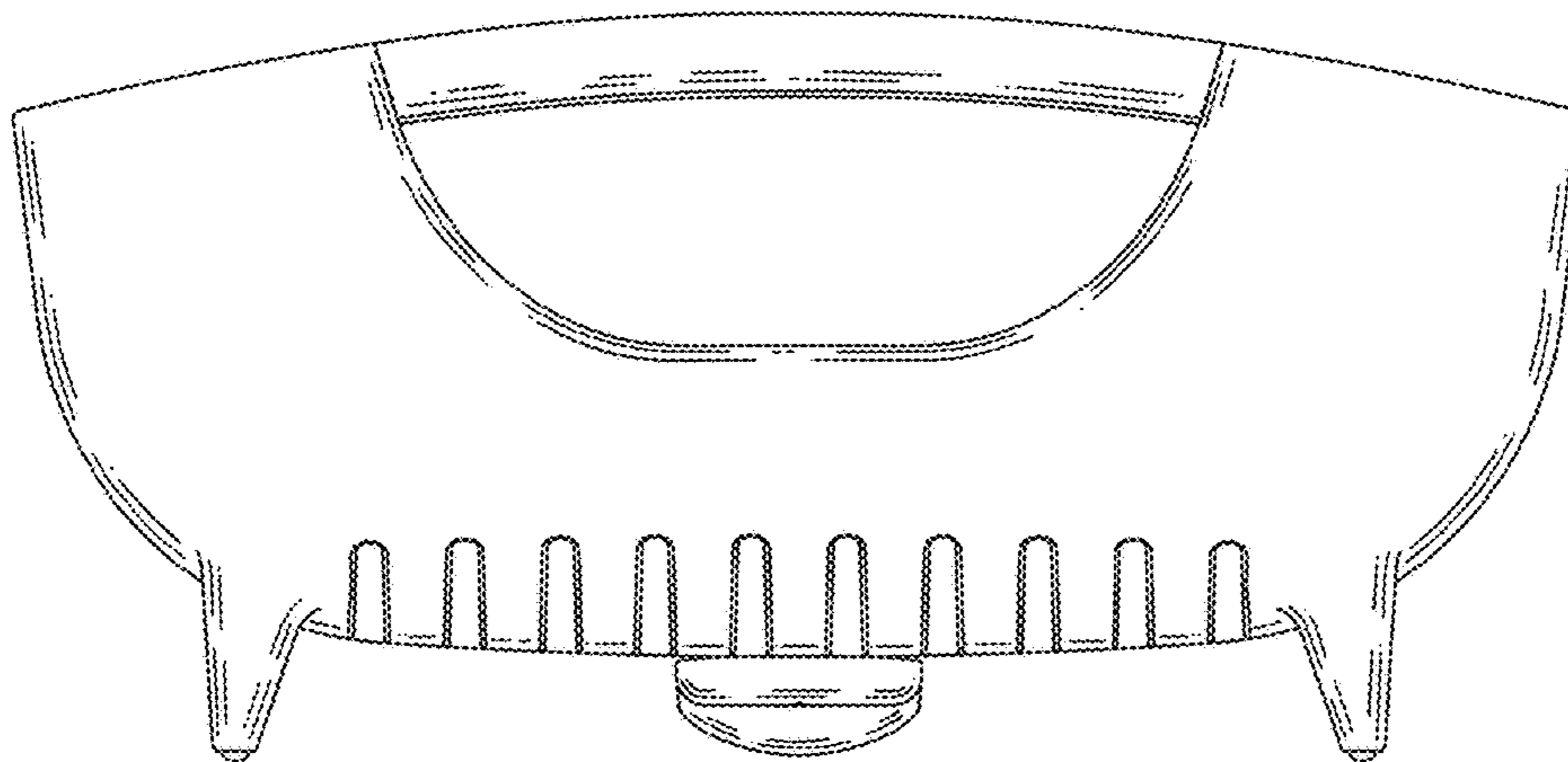


FIG. 5

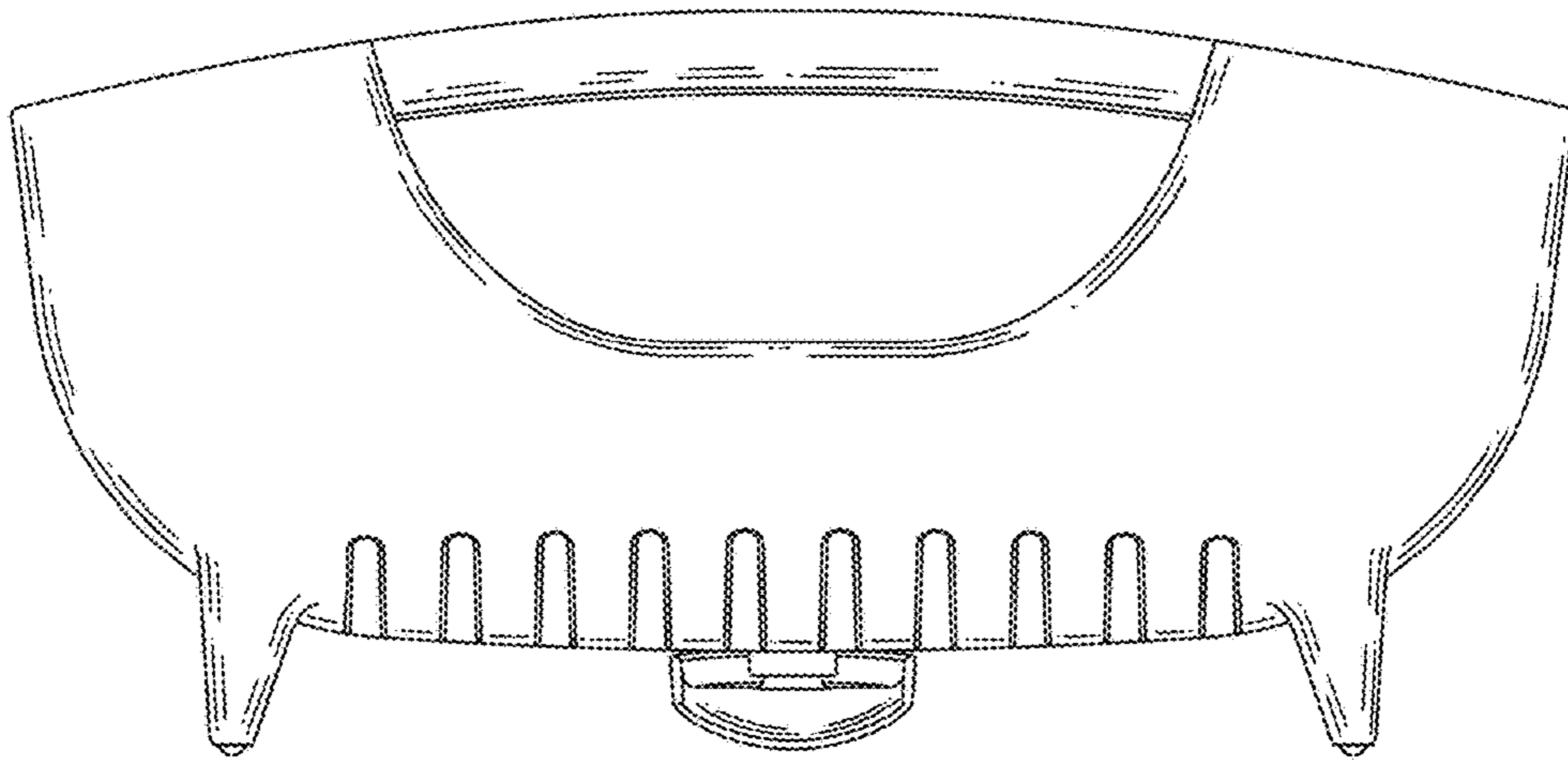


FIG. 6

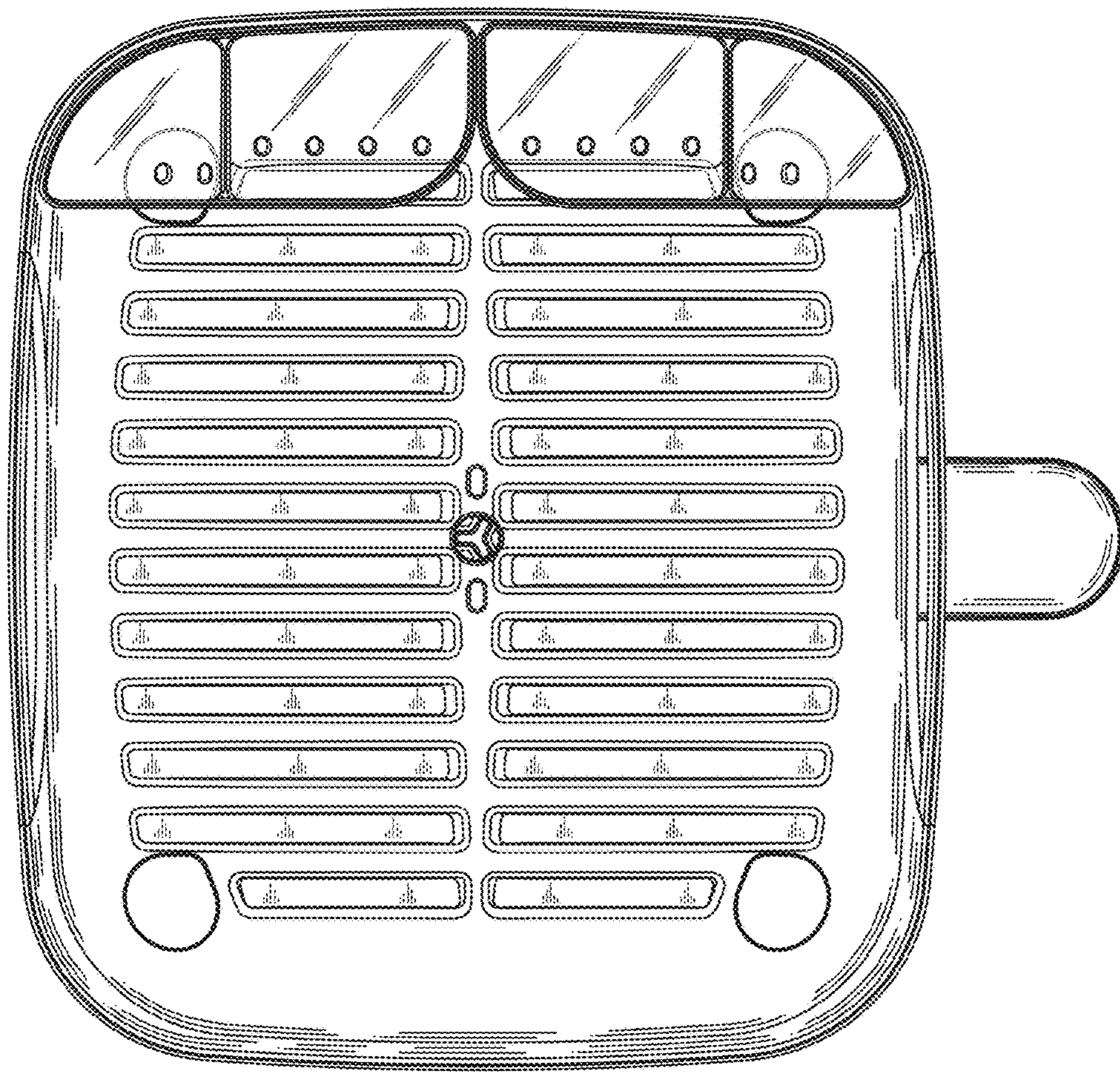




FIG. 7

