



US00D822926S

(12) **United States Design Patent**
Ishibashi

(10) **Patent No.:** **US D822,926 S**
(45) **Date of Patent:** **** Jul. 10, 2018**

(54) **SPONGE FOR SUBSTRATE CLEANING**

1,062,332 A * 5/1913 Harvey A47L 13/16
118/269

(71) Applicant: **Ebara Corporation**, Tokyo (JP)

D52,793 S 12/1918 Hoffman
1,345,904 A * 7/1920 Wishart B29C 44/0415

(72) Inventor: **Tomoatsu Ishibashi**, Tokyo (JP)

252/182.17

(Continued)

(73) Assignee: **EBARA CORPORATION**, Tokyo (JP)

FOREIGN PATENT DOCUMENTS

(**) Term: **15 Years**

CN 3476130 9/2005
CN 302400866 S 4/2013

(21) Appl. No.: **29/613,980**

(Continued)

(22) Filed: **Aug. 15, 2017**

OTHER PUBLICATIONS

Related U.S. Application Data

Alibaba website 2018, Diesel Particulate Filter Dpf Metallic Honeycomb Substrate Cleaning, <https://www.alibaba.com/product-detail/Diesel-particulate-filter-DPF-metallic-honeycomb...> site visited Apr. 16, 2018 (Year: 2018).*

(62) Division of application No. 29/562,164, filed on Apr. 22, 2016, now Pat. No. Des. 799,129.

(Continued)

(30) **Foreign Application Priority Data**

Primary Examiner — John Windmuller

Oct. 28, 2015 (JP) 2015-023967

Assistant Examiner — John R Yeh

Oct. 28, 2015 (JP) 2015-023968

(74) *Attorney, Agent, or Firm* — Pearne & Gordon LLP

(51) **LOC (11) Cl.** **07-05**

(57)

CLAIM

(52) **U.S. Cl.**

The ornamental design for a sponge for substrate cleaning, as shown and described.

USPC **D32/40**

DESCRIPTION

(58) **Field of Classification Search**

USPC D32/40, 42-43; D6/524, 551; D4/116, D4/121; D11/143-146, 149, 151

FIG. 1 is a bottom-right perspective view of a sponge for substrate cleaning showing my new design;

CPC A46B 15/00; A46B 11/02; A46B 11/06;

FIG. 2 is a top-right perspective view observed from a bottom thereof;

A46B 13/04; A47K 11/10; A47K 7/03;

FIG. 3 is a front view thereof, a rear view being identical thereto;

A61B 19/00; A61B 10/00; A47L 13/16;

FIG. 4 is a right-side view thereof, a left-side view being identical thereto;

A61F 13/02

FIG. 5 is a top view thereof; and,

See application file for complete search history.

FIG. 6 is a bottom view thereof.

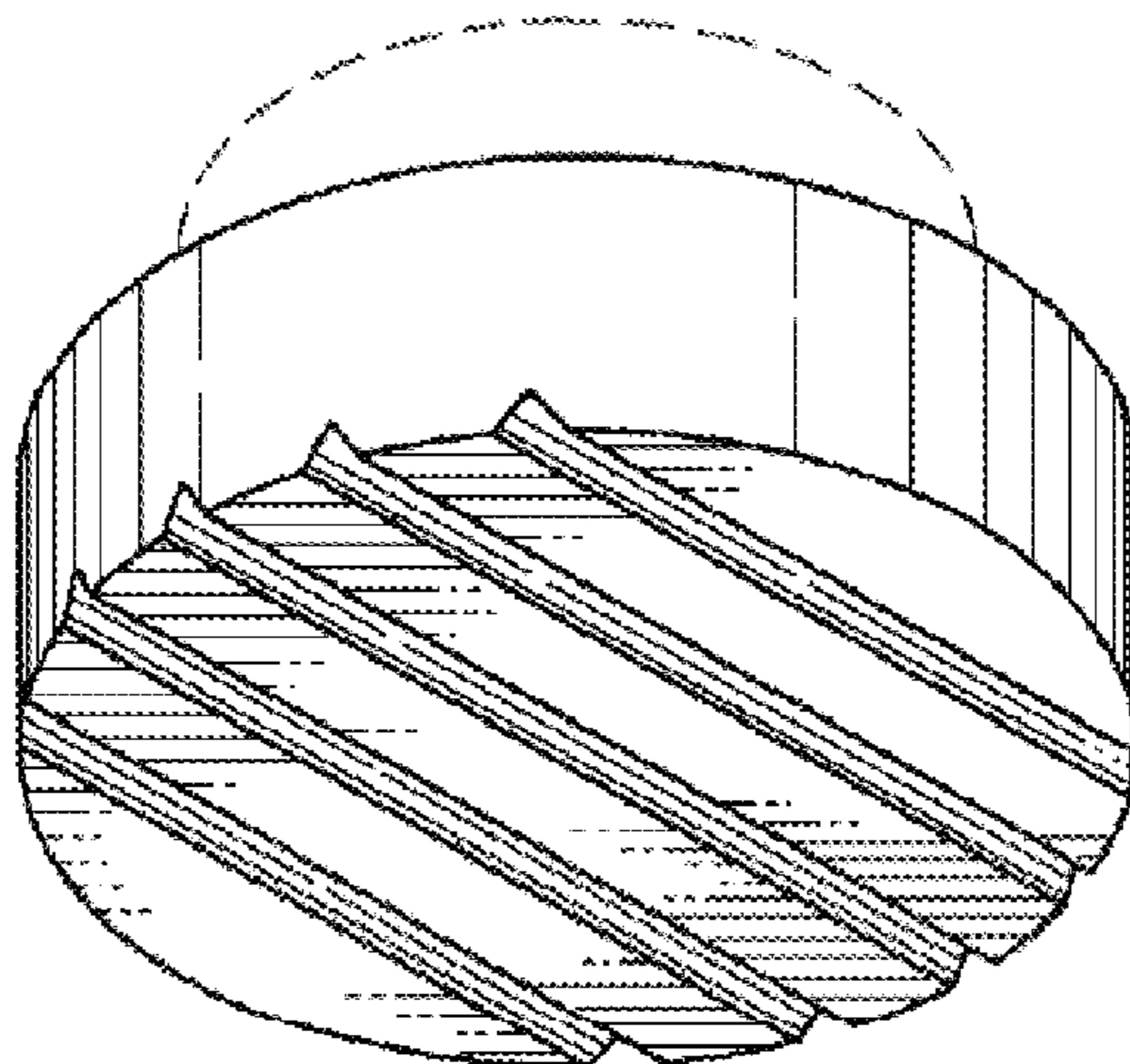
The broken lines represent portions of the sponge for substrate cleaning that form no part of the claimed design.

(56) **References Cited**

U.S. PATENT DOCUMENTS

737,066 A 8/1903 Bonar
819,369 A 5/1906 Nelson

1 Claim, 1 Drawing Sheet



(56)

References Cited

U.S. PATENT DOCUMENTS

1,371,472 A * 3/1921 Costello B60C 7/102
152/310
1,553,775 A * 9/1925 Hertz A47K 7/03
15/104.94
1,807,239 A * 5/1931 Guentzler B43M 11/04
118/270
D964,483 8/1935 Kurtz
2,425,966 A 8/1947 Tjomsland
2,854,286 A 9/1958 Salick
3,038,187 A 10/1959 Nathanson
3,067,450 A * 12/1962 Mirth A47K 7/028
15/118
3,075,222 A 1/1963 Miller
3,080,687 A * 3/1963 Gross A47L 13/16
15/118
3,135,003 A 6/1964 Wise
3,707,012 A * 12/1972 Lane A47K 7/03
15/104.93
D230,814 S 3/1974 Everts
3,949,137 A * 4/1976 Akrongold A47L 13/17
15/104.93
D260,408 S 8/1981 Ruffing
D274,383 S 6/1984 Banasiak
5,591,507 A 1/1997 Jones
D392,432 S * 3/1998 Henrie D32/40
D417,324 S * 11/1999 Farls D32/40
D545,971 S 7/2007 Eknoian et al.
D546,461 S 7/2007 Eknoian et al.
D578,718 S * 10/2008 Bettanin D32/40
D618,410 S 6/2010 Libman et al.
D669,678 S 10/2012 Legreca et al.
D670,469 S * 11/2012 Polk D32/40
D684,739 S 6/2013 Arnold
8,713,739 B1 * 5/2014 Alas A46B 5/0095
15/28
D739,106 S 9/2015 Hoying et al.
D765,328 S * 8/2016 Brown D32/40

D787,143 S * 5/2017 Ishibashi D32/40
D799,129 S * 10/2017 Ishibashi D32/40
D803,651 S * 11/2017 Umbrell D8/70
D804,923 S * 12/2017 Umbrell D8/70
D805,268 S * 12/2017 Ishibashi D32/40
2001/0051494 A1 12/2001 Sventek et al.
2009/0119862 A1 * 5/2009 Kakutani A47L 13/16
15/209.1
2011/0168206 A1 * 7/2011 Schaaf A47L 13/16
134/6
2014/0259502 A1 9/2014 Vitucci-Schneider
2014/0325781 A1 11/2014 Sauzek
2018/0035849 A1 * 2/2018 Vergara A47K 7/03

FOREIGN PATENT DOCUMENTS

CN 302719682 S 1/2014
CN 303171473 S 4/2015
CN 303924489 * 11/2016
JP 2000-173966 A1 6/2000
JP D1102095 2/2001
TW 129631 A 2/1990

OTHER PUBLICATIONS

Ebara Frex 300S Reflexion LK CMP pva brush pva brush roller, picture date 2008, site visited Apr. 16, 2018, <https://detail.en.china.cn/provide/p105200405.html> (Year: 2008).
Amazon.com: Quickie Soap Dispensing Dishwasher Refills, review Jan. 9, 2013, https://www.amazon.com/Quickie-Dispensing-Dishwasher-Refills-136MB/dp/B0012YL5S0/ref=sr_1_288?ie=UTF8&qid=14884993893&sr=8-288&keywords=soap+sponge, [site visited Mar. 2, 2017 7:15:58 PM].
Fliptop Lids—Images—Rieke Packaging, website 2017, <https://www.copybook.com/companies/rieke-packaging/pail-and-canclosures-gallery/fliptop-lids>, [site visited Mar. 8, 2017 1:13:54 PM].

* cited by examiner

FIG. 1

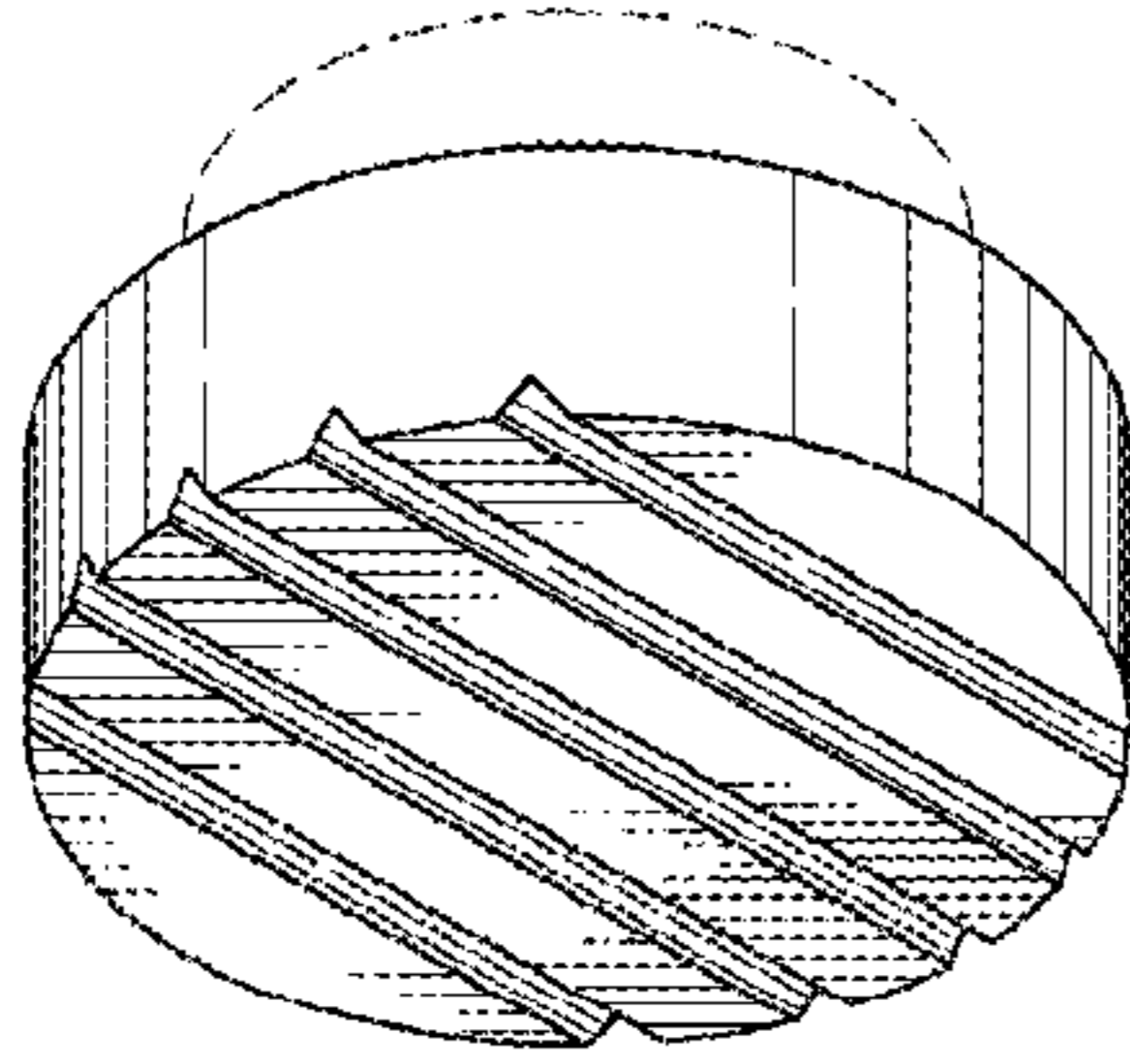


FIG. 2

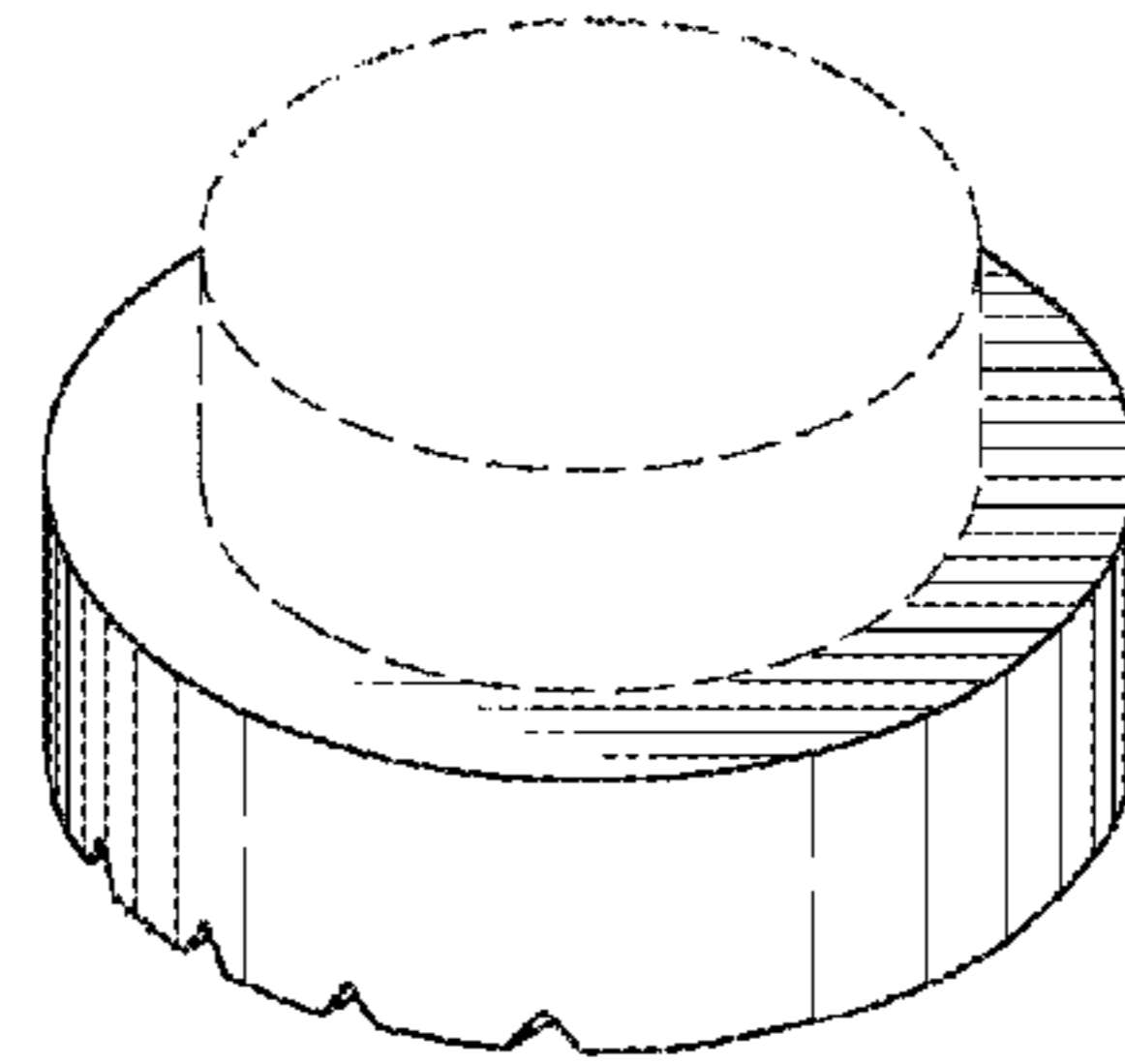


FIG. 3

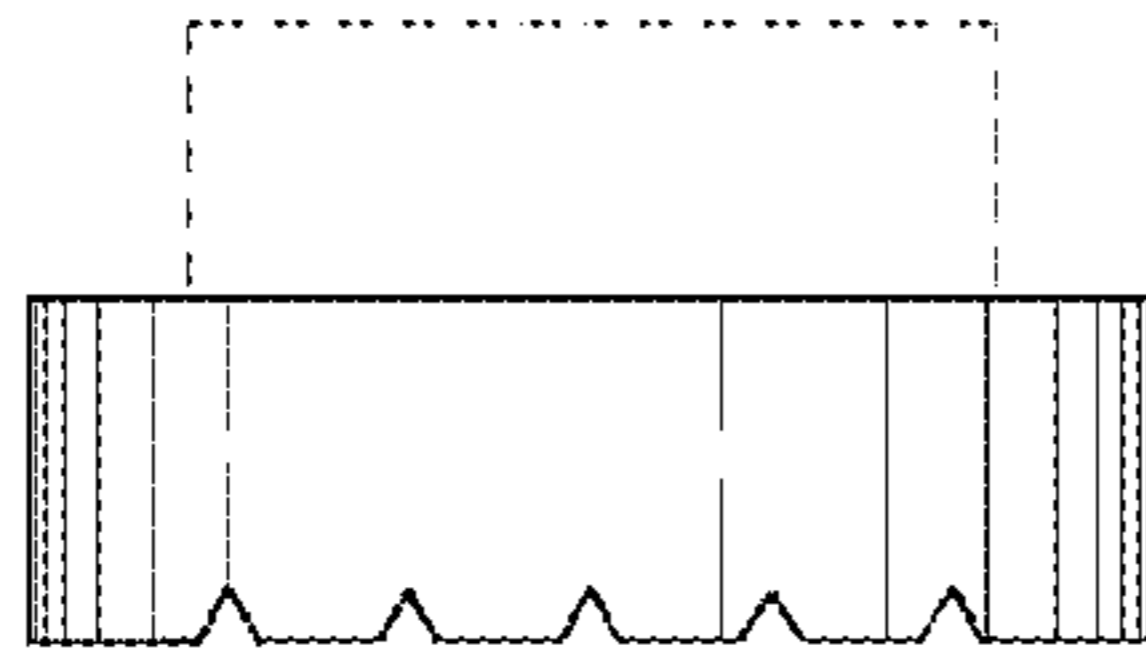


FIG. 4

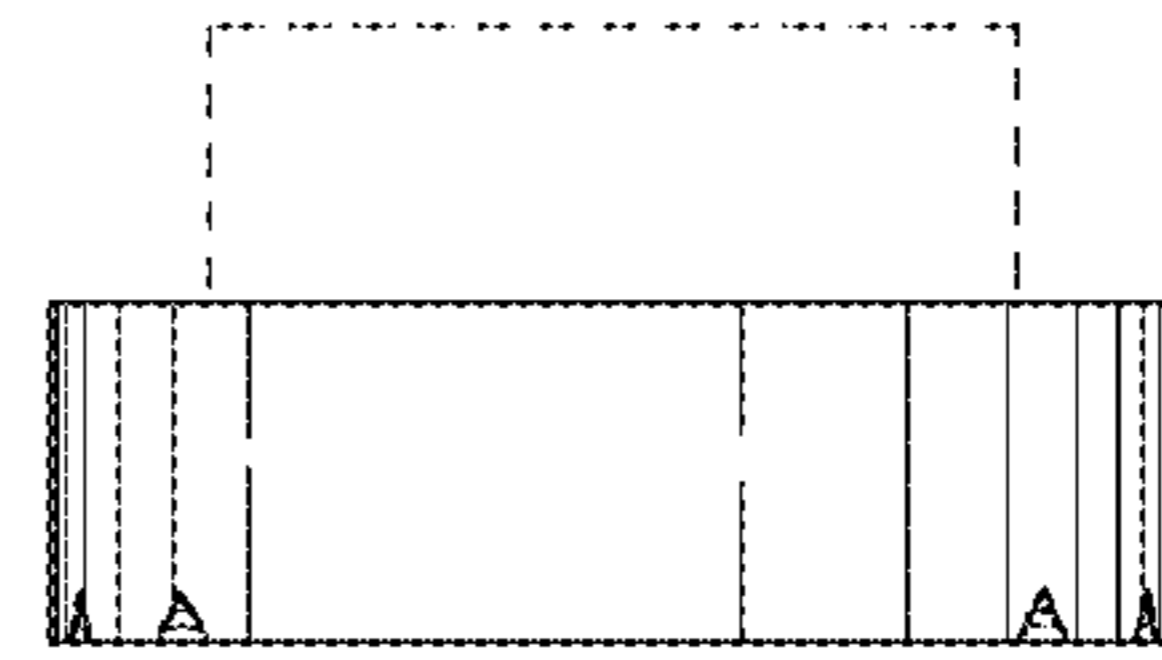


FIG. 5

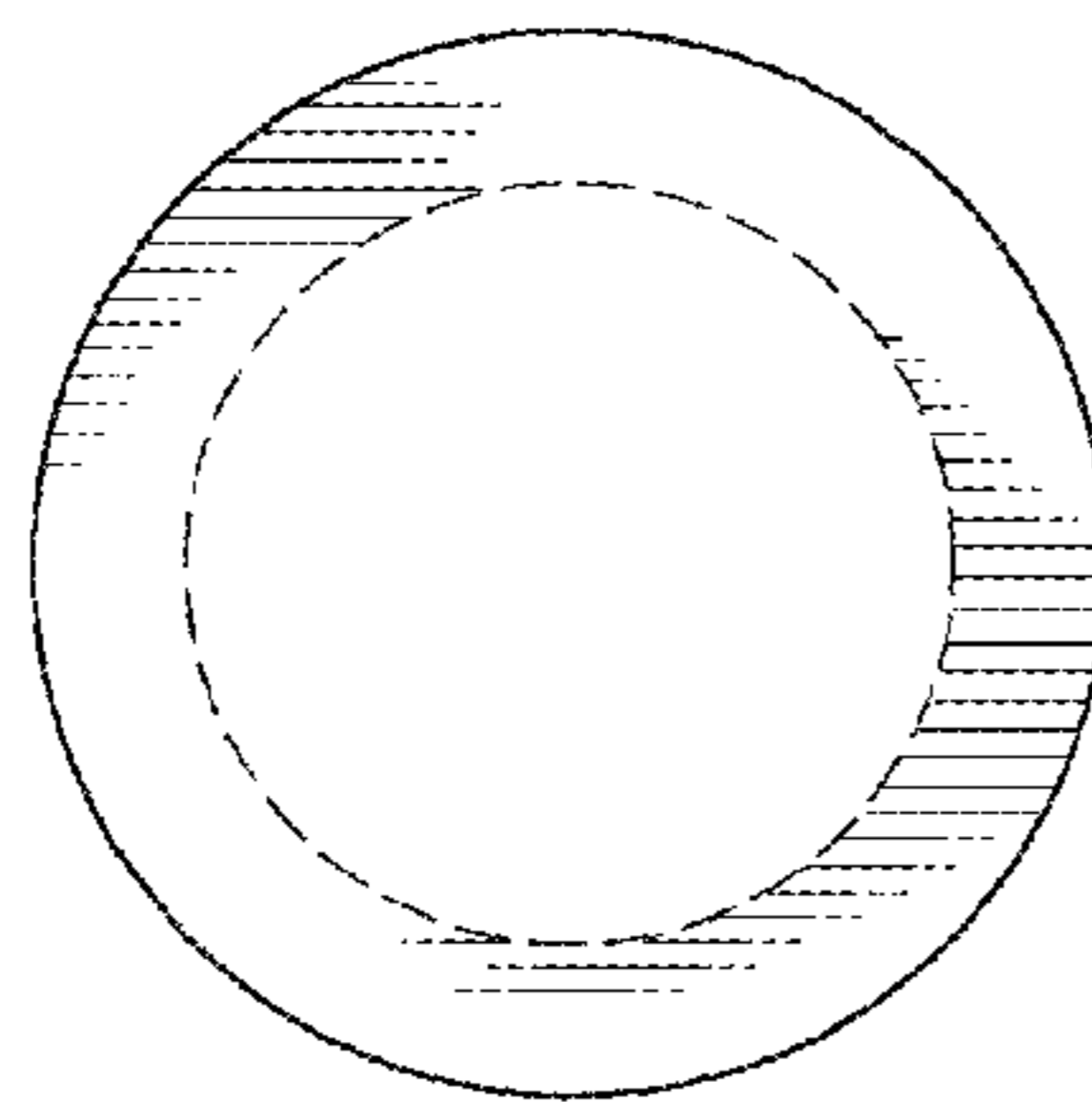


FIG. 6

