

US00D822925S

(12) **United States Design Patent** (10) **Patent No.:** **US D822,925 S**  
**Su** (45) **Date of Patent:** **\*\* Jul. 10, 2018**

(54) **CASING FOR A BLOWER**

(71) Applicant: **Wu-Chung Su**, Taichung (TW)

(72) Inventor: **Wu-Chung Su**, Taichung (TW)

(\*\*) Term: **15 Years**

(21) Appl. No.: **29/593,507**

(22) Filed: **Feb. 9, 2017**

(51) **LOC (11) Cl.** ..... **15-05**

(52) **U.S. Cl.**  
USPC ..... **D32/25**; D15/28

(58) **Field of Classification Search**  
USPC ..... D15/11, 12, 28; D12/2, 231, 340-343;  
D14/230; D32/1, 5, 15, 16, 17, 18, 21,  
D32/25

CPC ..... A47L 5/24; A47L 5/28; A47L 7/0038  
See application file for complete search history.

(56) **References Cited**

**U.S. PATENT DOCUMENTS**

D361,414 S	*	8/1995	Trautloff	.....	D32/15
D417,044 S	*	11/1999	Ohi	.....	D32/15
D728,876 S	*	5/2015	Scarpellini	.....	D32/25
D733,981 S	*	7/2015	Sechere	.....	D32/8
D751,685 S	*	3/2016	Wanezaki	.....	D23/386
D781,011 S	*	3/2017	Bu	.....	D32/18
D796,760 S	*	9/2017	Tucker	.....	D32/18
D802,236 S	*	11/2017	Gammack	.....	D32/34
D803,496 S	*	11/2017	Gammack	.....	D32/34

D803,497 S	*	11/2017	Gammack	.....	D32/34
2016/0113455 A1	*	4/2016	Horvath	.....	A47L 9/12 15/344
2018/0008110 A1	*	1/2018	Peace	.....	A47L 5/24
2018/0020892 A1	*	1/2018	Rukavina	.....	A47L 9/0422

\* cited by examiner

*Primary Examiner* — Garth Rademaker

*Assistant Examiner* — Benjamin M Weeks

(74) *Attorney, Agent, or Firm* — Alan D. Kamrath;  
Kamrath IP Lawfirm, P.A.

(57) **CLAIM**

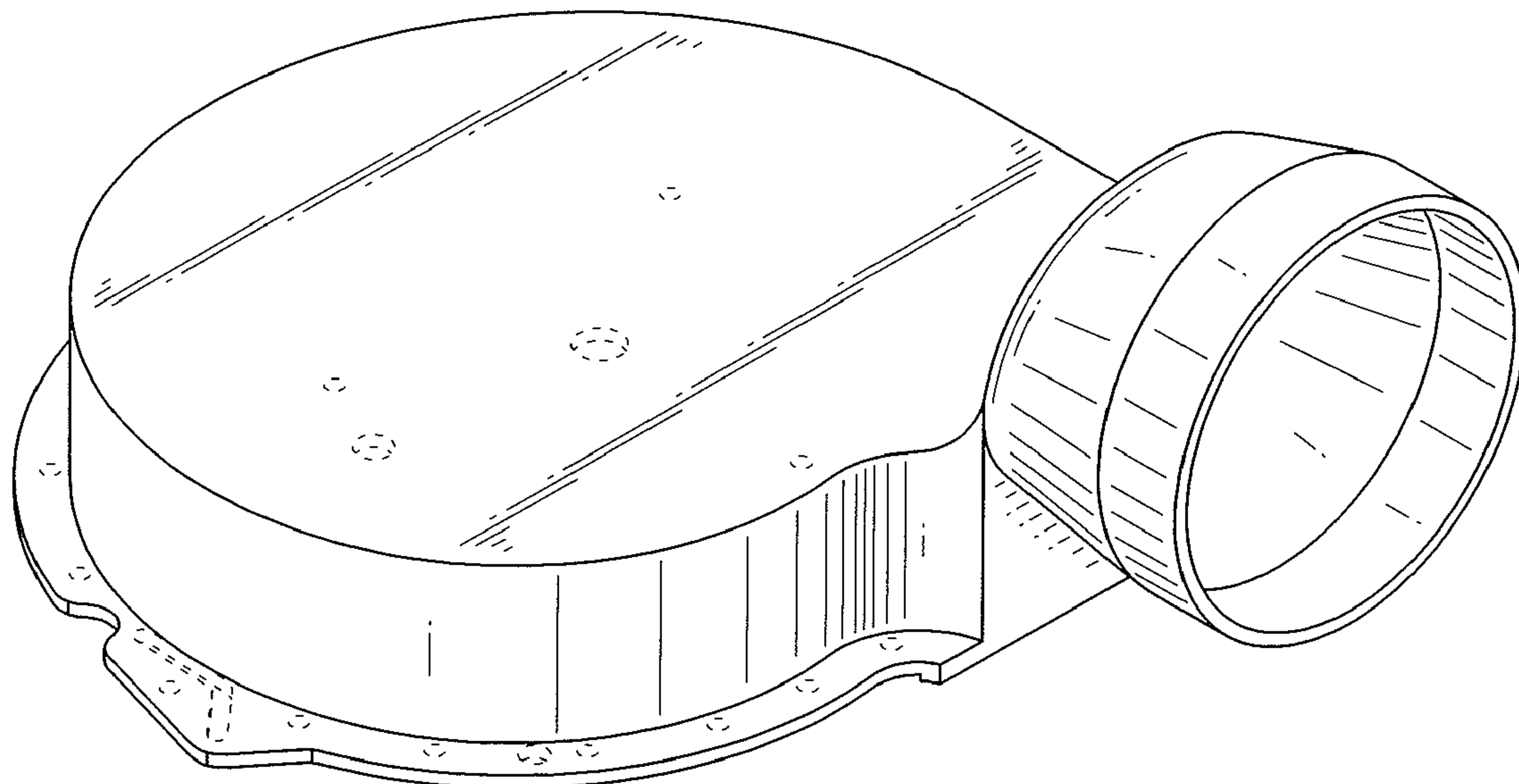
The ornamental design for a casing for a blower, as shown and described.

**DESCRIPTION**

FIG. 1 is a perspective view of a casing for a blower, showing my new design;  
FIG. 2 is another perspective view thereof;  
FIG. 3 is a front view thereof;  
FIG. 4 is a rear view thereof;  
FIG. 5 is a left side view thereof;  
FIG. 6 is a right side view thereof;  
FIG. 7 is a top view thereof; and,  
FIG. 8 is a bottom view thereof.

The broken lines in the figures depict portions of the casing for a blower that form no part of the claimed design.

**1 Claim, 8 Drawing Sheets**



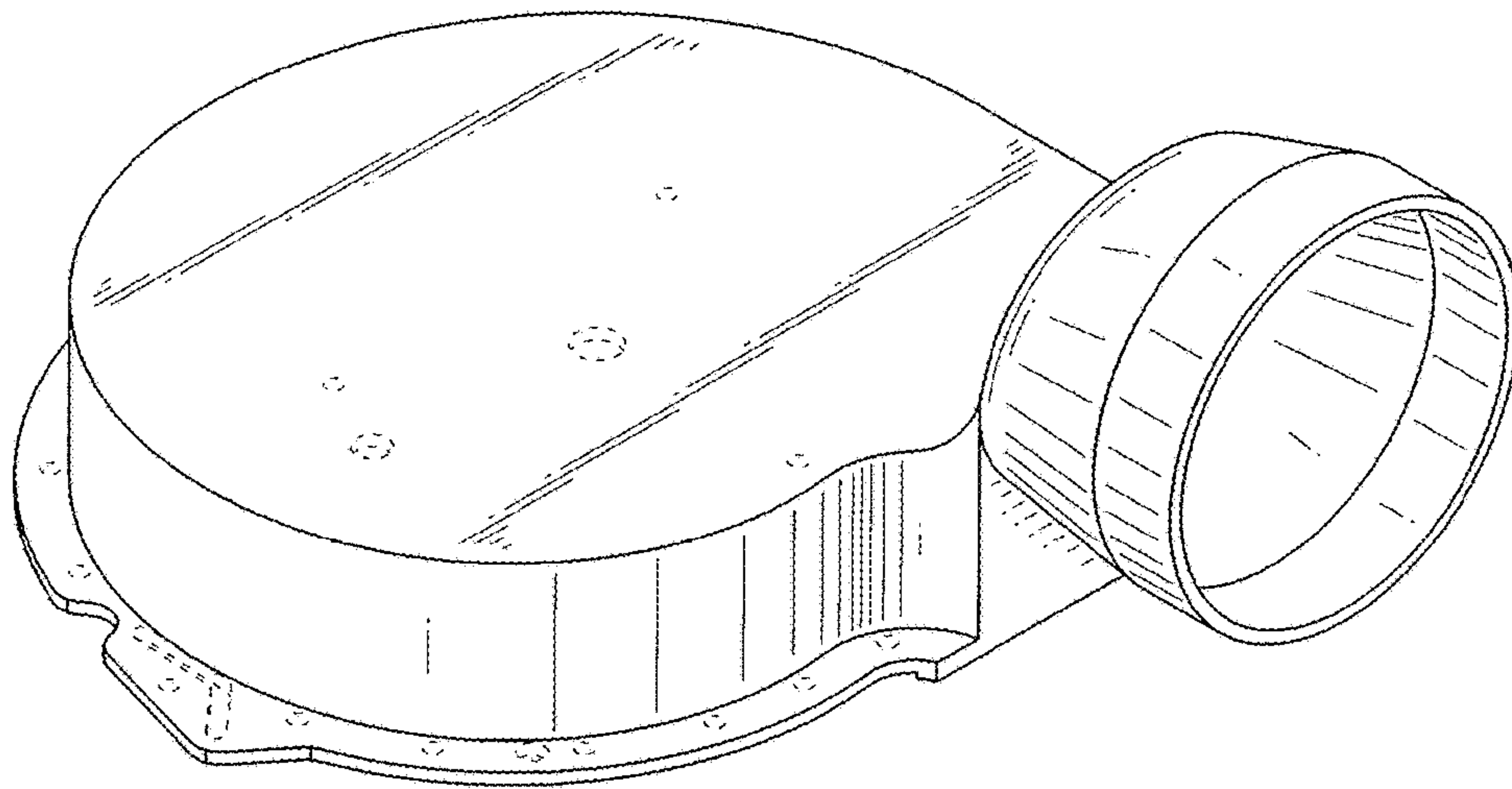


FIG.1

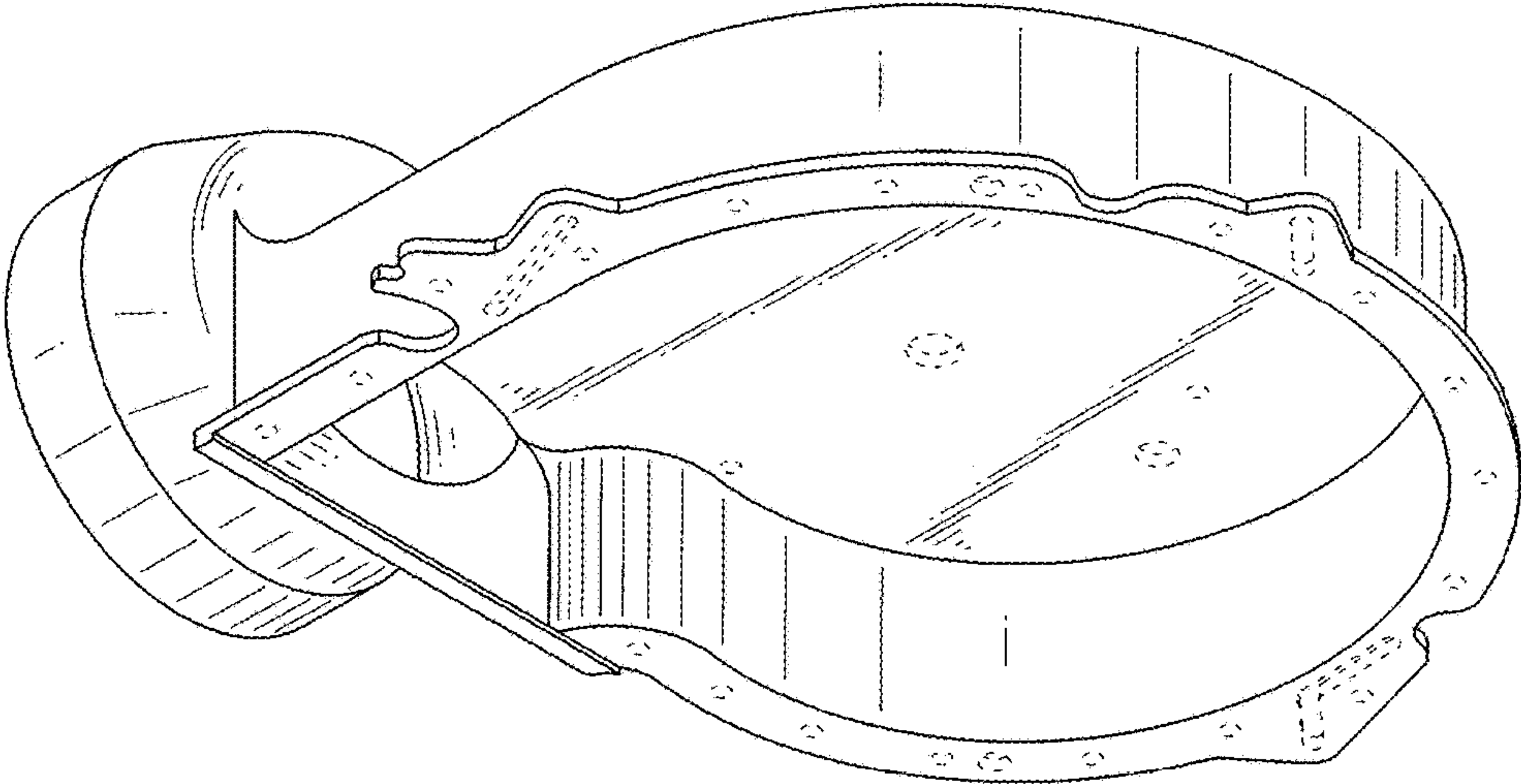


FIG.2

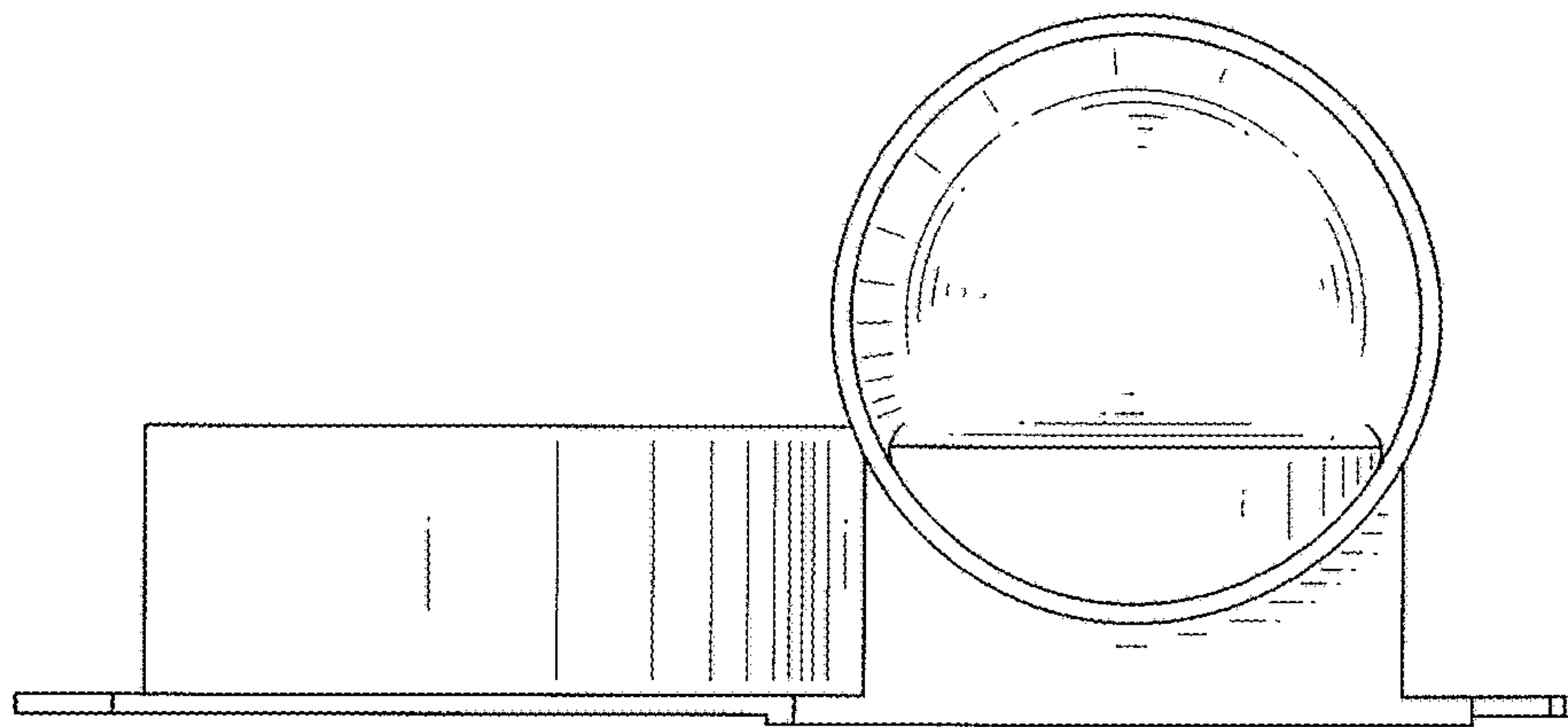


FIG.3

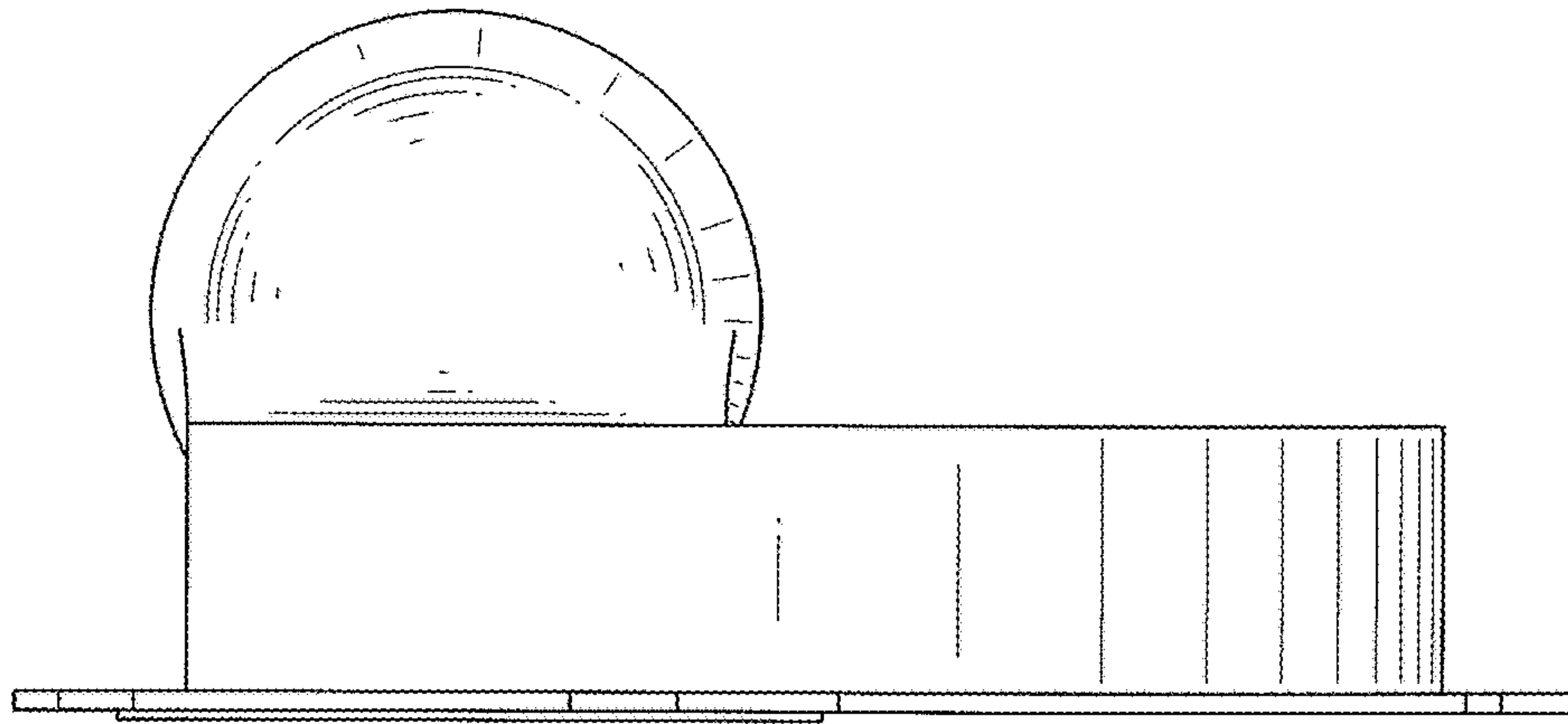


FIG.4

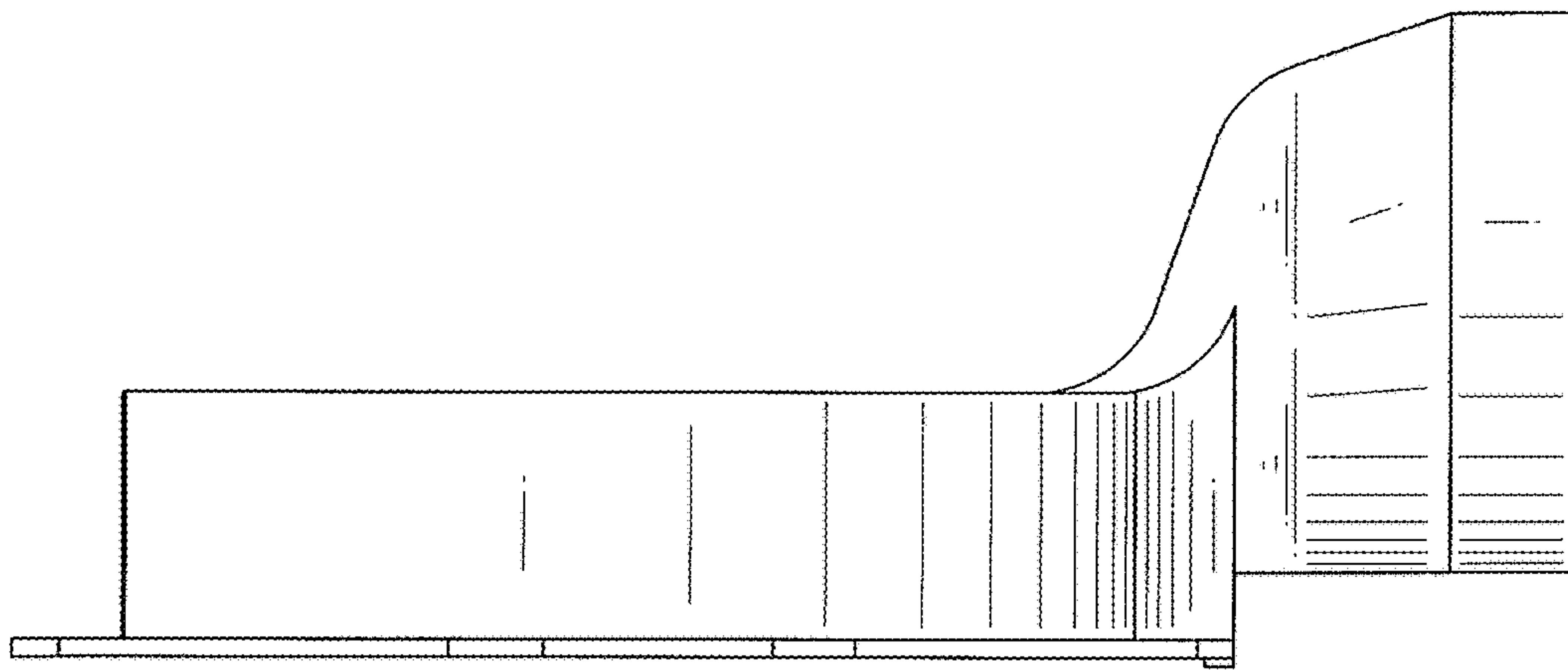


FIG. 5

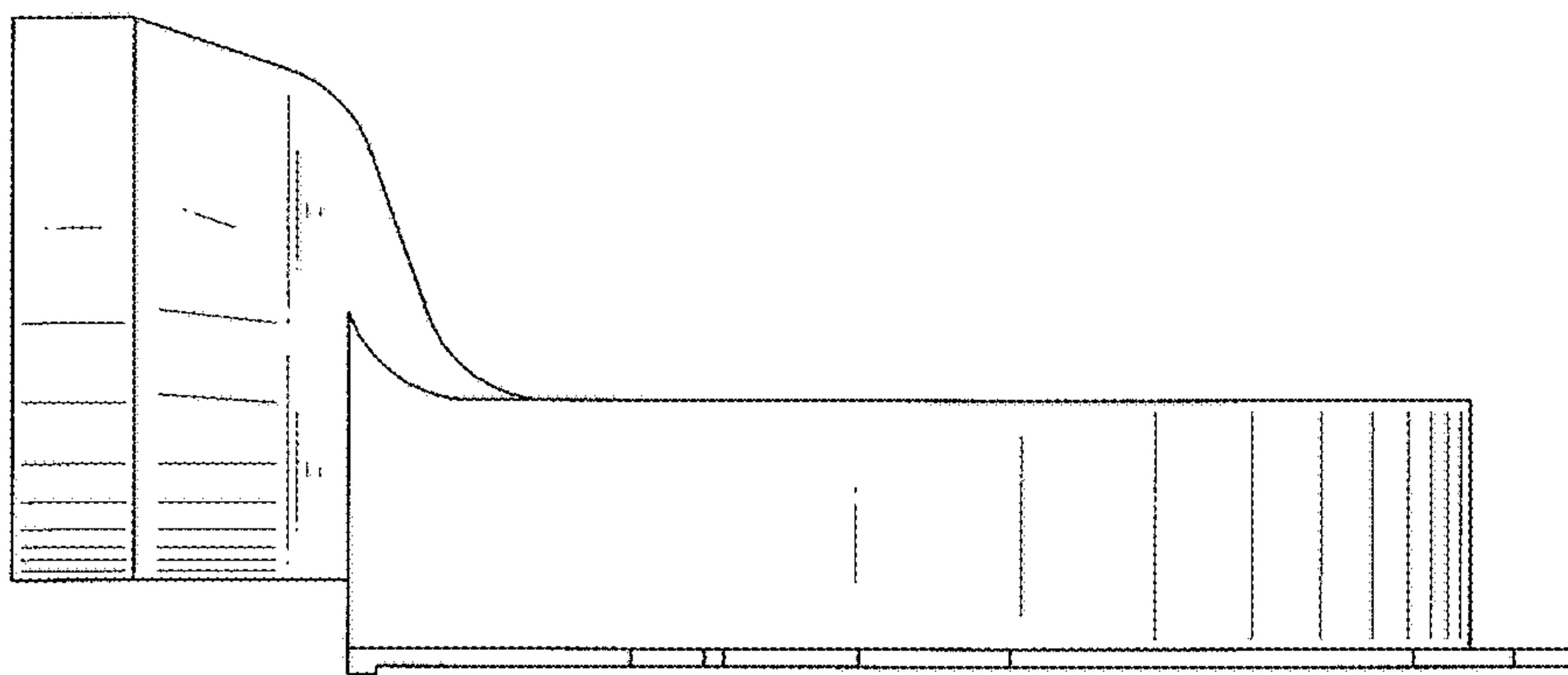


FIG.6

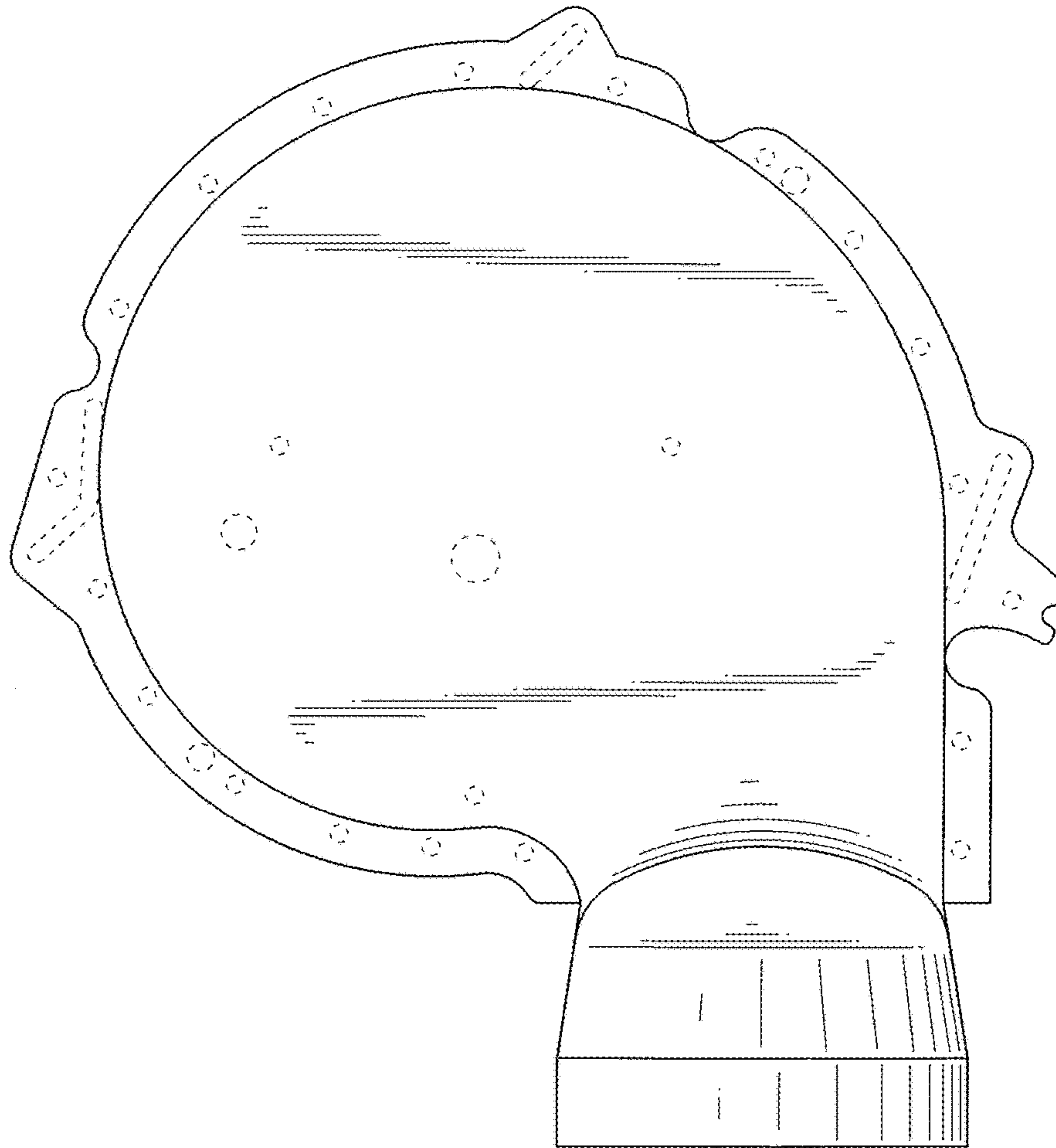


FIG.7



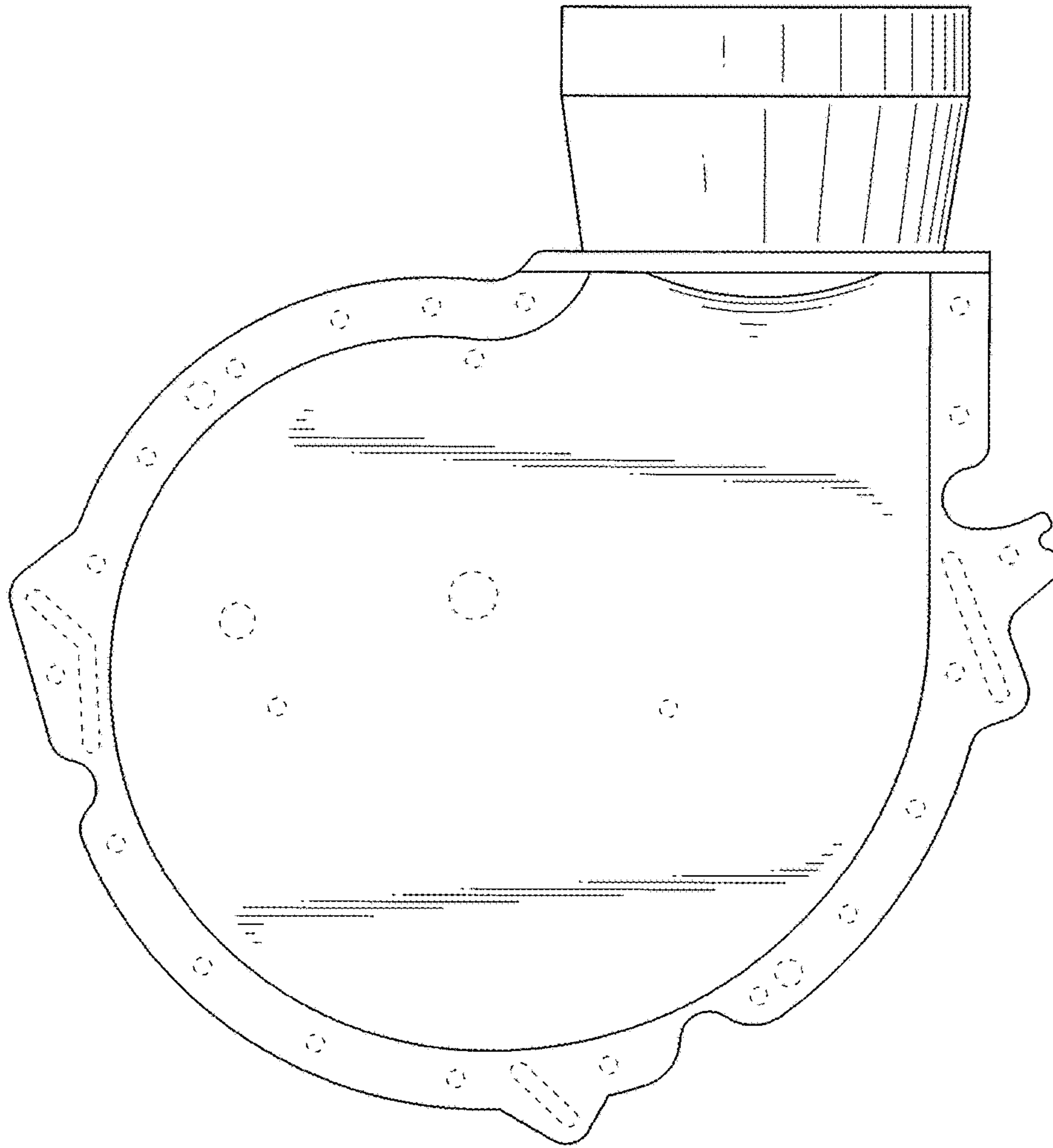


FIG.8