



US00D822924S

(12) **United States Design Patent** (10) **Patent No.:** **US D822,924 S**
Ayers et al. (45) **Date of Patent:** **** Jul. 10, 2018**

(54) **WASHING MACHINE**

(71) Applicant: **Whirlpool Corporation**, Benton Harbor, MI (US)

(72) Inventors: **Kevin B. Ayers**, St. Joseph, MI (US); **Abhijeet Bhattacharya**, Lehi, UT (US); **Seth E. Bixby**, Stevensville, MI (US); **Andrew Kubasiak**, St. Joseph, MI (US); **Michael R. Mackay**, St. Joseph, MI (US); **David Miller**, Zeeland, MI (US)

(73) Assignee: **Whirlpool Corporation**, Benton Harbor, MI (US)

(**) Term: **15 Years**

(21) Appl. No.: **29/539,917**

(22) Filed: **Sep. 18, 2015**

(51) **LOC (11) Cl.** **15-05**

(52) **U.S. Cl.**
USPC **D32/25**

(58) **Field of Classification Search**
USPC D32/1-6, 8, 10, 25, 28; 312/228, 228.1, 312/236, 294, 326; 220/810; 68/3 R, 68/5 R, 235 R, 196, 212; 34/108, 130, 34/131, 132, 595, 596, 597; 8/137
CPC A47B 77/08; A47B 96/00; D06F 39/14; D06F 39/028; D06F 33/02; D06F 37/28; D06F 58/00

See application file for complete search history.

(56) **References Cited**

U.S. PATENT DOCUMENTS

- D589,215 S 3/2009 Cho et al.
- D618,865 S 6/2010 Cline et al.
- D627,115 S 11/2010 Jeon et al.
- D631,623 S 1/2011 Chung et al.
- D648,084 S * 11/2011 Browne D32/28
- D681,892 S 5/2013 Meda et al.

- D704,907 S * 5/2014 Yoo D32/6
- D708,800 S 7/2014 Choi et al.
- D718,505 S 11/2014 Hyungsub et al.
- D739,096 S * 9/2015 Qin D32/6
- D748,355 S * 1/2016 Sim D32/6
- D754,937 S * 4/2016 Kim D32/8

(Continued)

Primary Examiner — Ian Simmons
Assistant Examiner — Yolanda Robinson
(74) *Attorney, Agent, or Firm* — Price Heneveld LLP

(57) **CLAIM**

The ornamental design for a washing machine, as shown and described.

DESCRIPTION

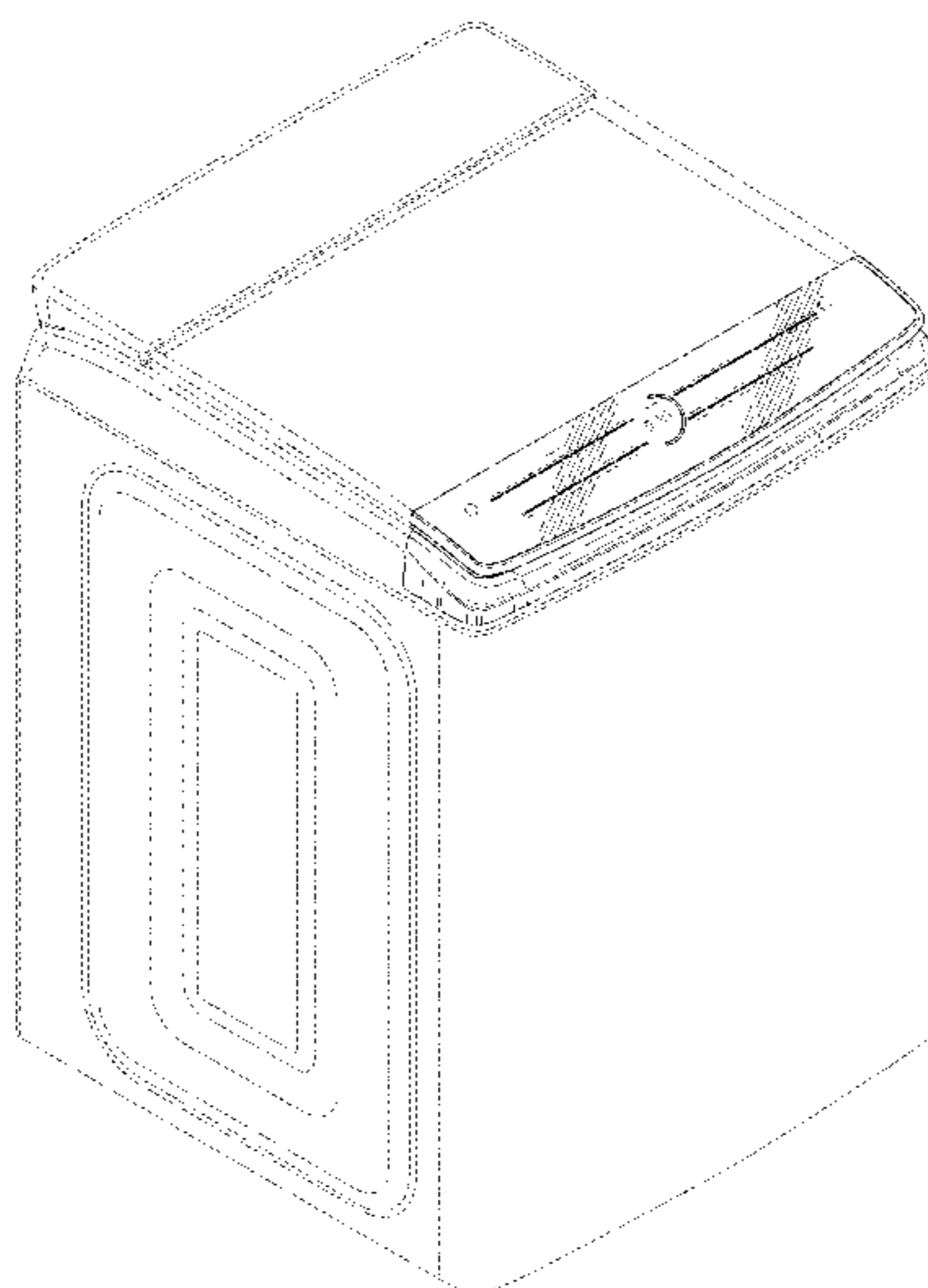
FIG. 1 is a front-left perspective view of a washing machine according to our design in a closed configuration; FIG. 2 is a front elevation view thereof; FIG. 3 is a back elevation view thereof; FIG. 4 is a left side elevation view thereof; FIG. 5 is a right side elevation view thereof; FIG. 6 is a top plan view thereof; FIG. 7 is a bottom plan view thereof; FIG. 8 is a front-left perspective view of the washing machine of our design in an open configuration; FIG. 9 is a front elevation view thereof; FIG. 10 is a back elevation view thereof; FIG. 11 is a right side elevation view thereof; FIG. 12 is a left side elevation view thereof; FIG. 13 is a top plan view thereof; and, FIG. 14 is a bottom plan view thereof.

The broken lines shown in the figures are for the purpose of illustrating unclaimed portions of the washing machine, and form no part of the claimed design.

Dash-dot lines adjacent un-shaded areas represent bounds of the claimed design and form no part thereof.

Diagonal shading is used to represent features that are at least transparent.

1 Claim, 14 Drawing Sheets



(56)

References Cited

U.S. PATENT DOCUMENTS

D758,028 S * 5/2016 Bixby D32/25
D758,680 S * 6/2016 Hoffman D32/8
D759,915 S * 6/2016 Choi D32/25
D760,454 S * 6/2016 Joo D32/6
D760,968 S * 7/2016 Choi D32/8
2004/0068951 A1* 4/2004 Bienick D06F 37/18
52/455
2009/0229320 A1* 9/2009 Yoo D06F 23/04
68/3 R
2011/0089793 A1* 4/2011 Kim D06F 39/14
312/228
2014/0210324 A1* 7/2014 Kilgore D06F 39/14
312/228.1
2014/0345063 A1* 11/2014 Cavalli D06F 37/40
8/137
2014/0373284 A1* 12/2014 Leibman D06F 39/022
8/137
2015/0076977 A1* 3/2015 Kim D06F 39/005
312/228
2015/0345069 A1* 12/2015 Leibman D06F 39/022
68/17 R
2016/0047077 A1* 2/2016 Leibman D06F 39/028
68/17 R
2016/0167858 A1* 6/2016 Sanfilippo B65D 75/5838
220/270

* cited by examiner

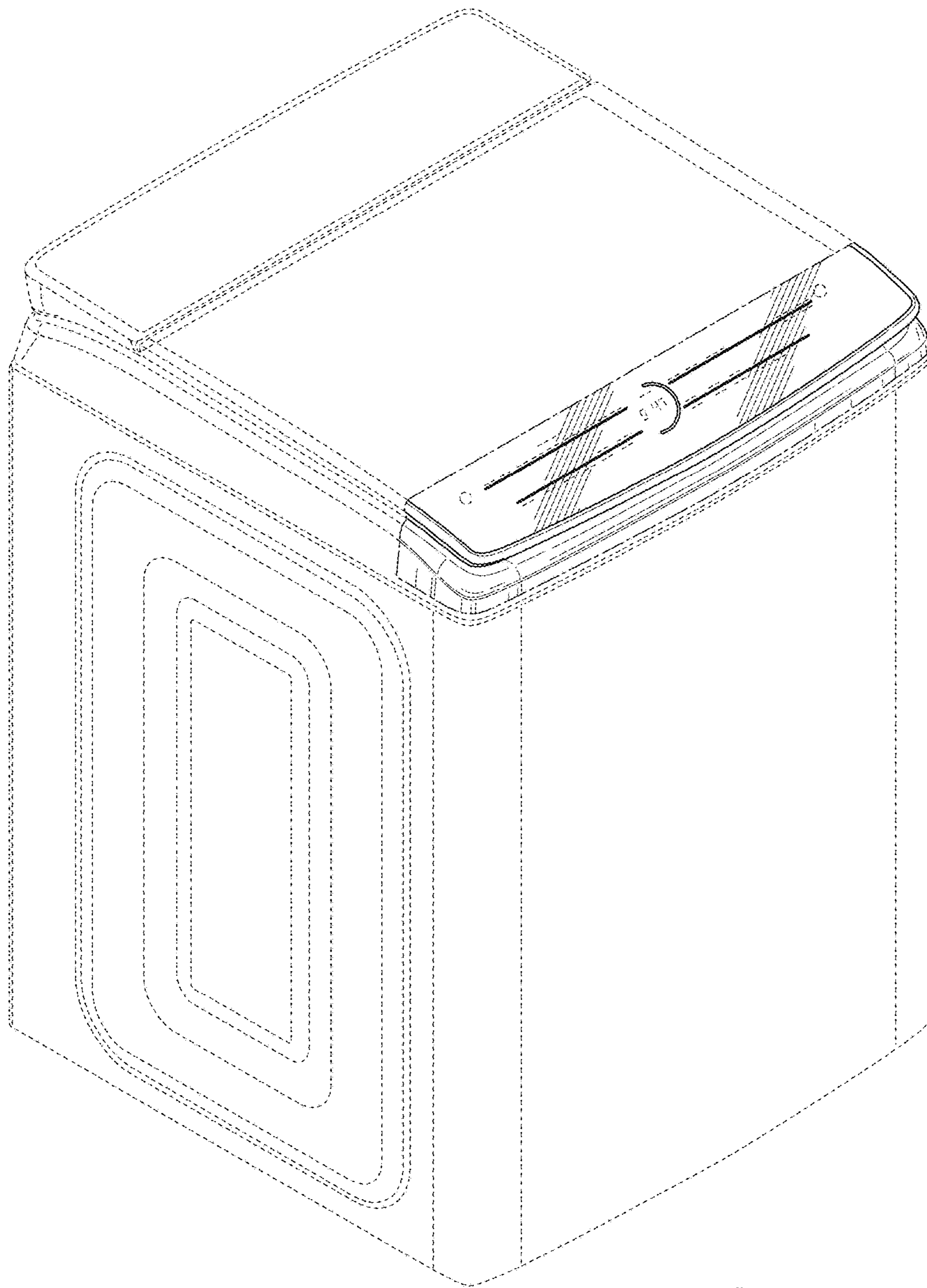


FIG. 1

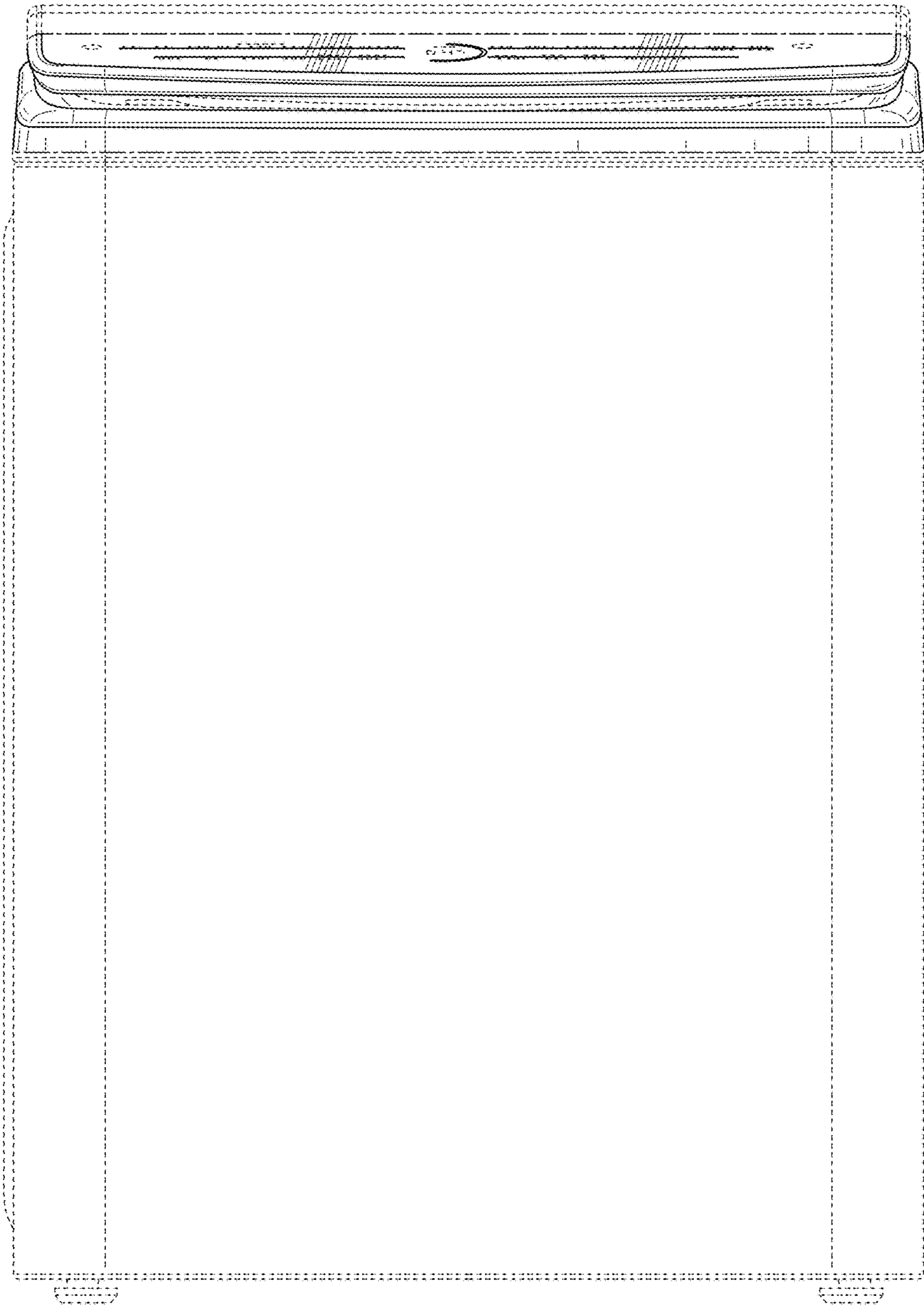


FIG. 2

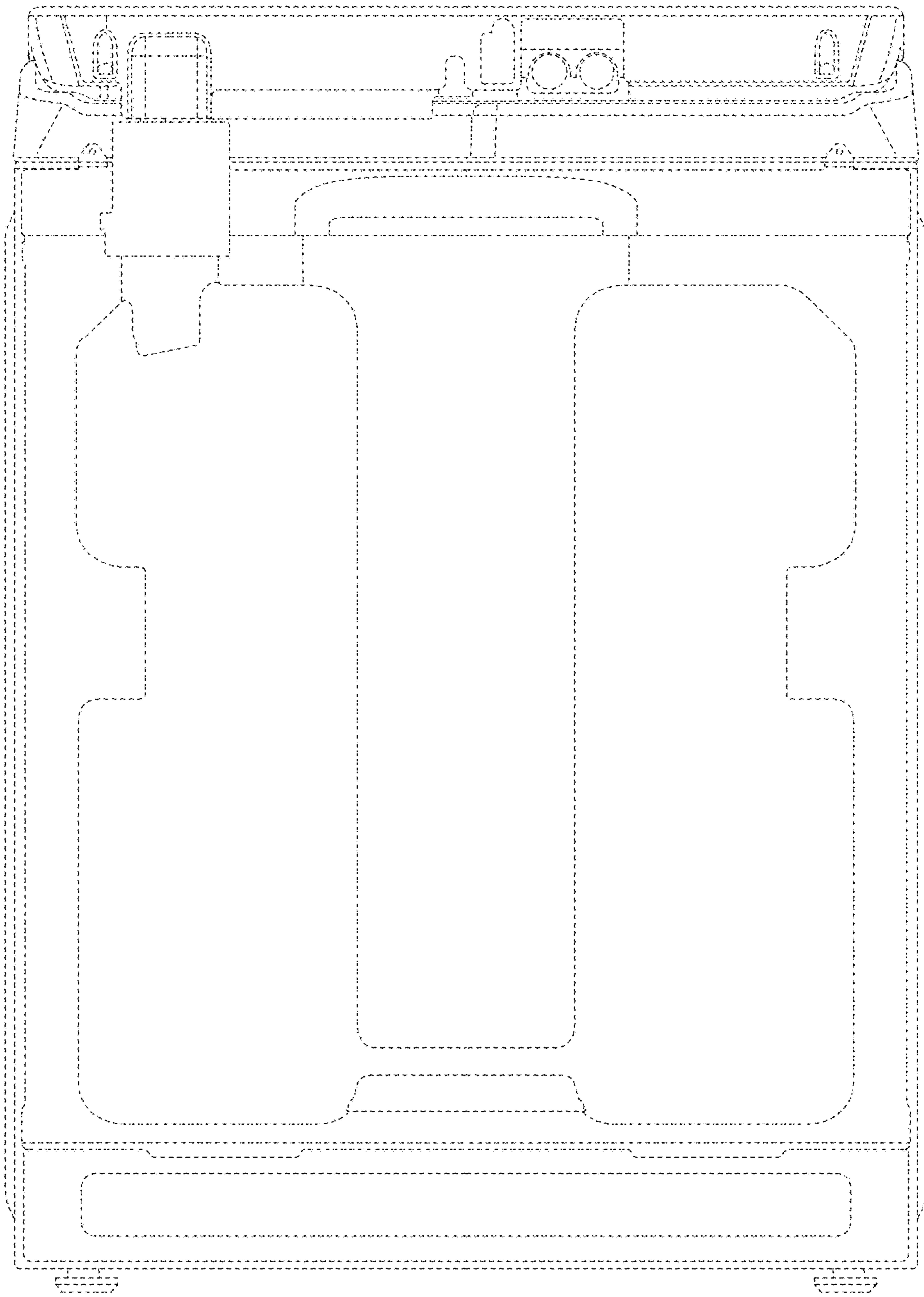


FIG. 3

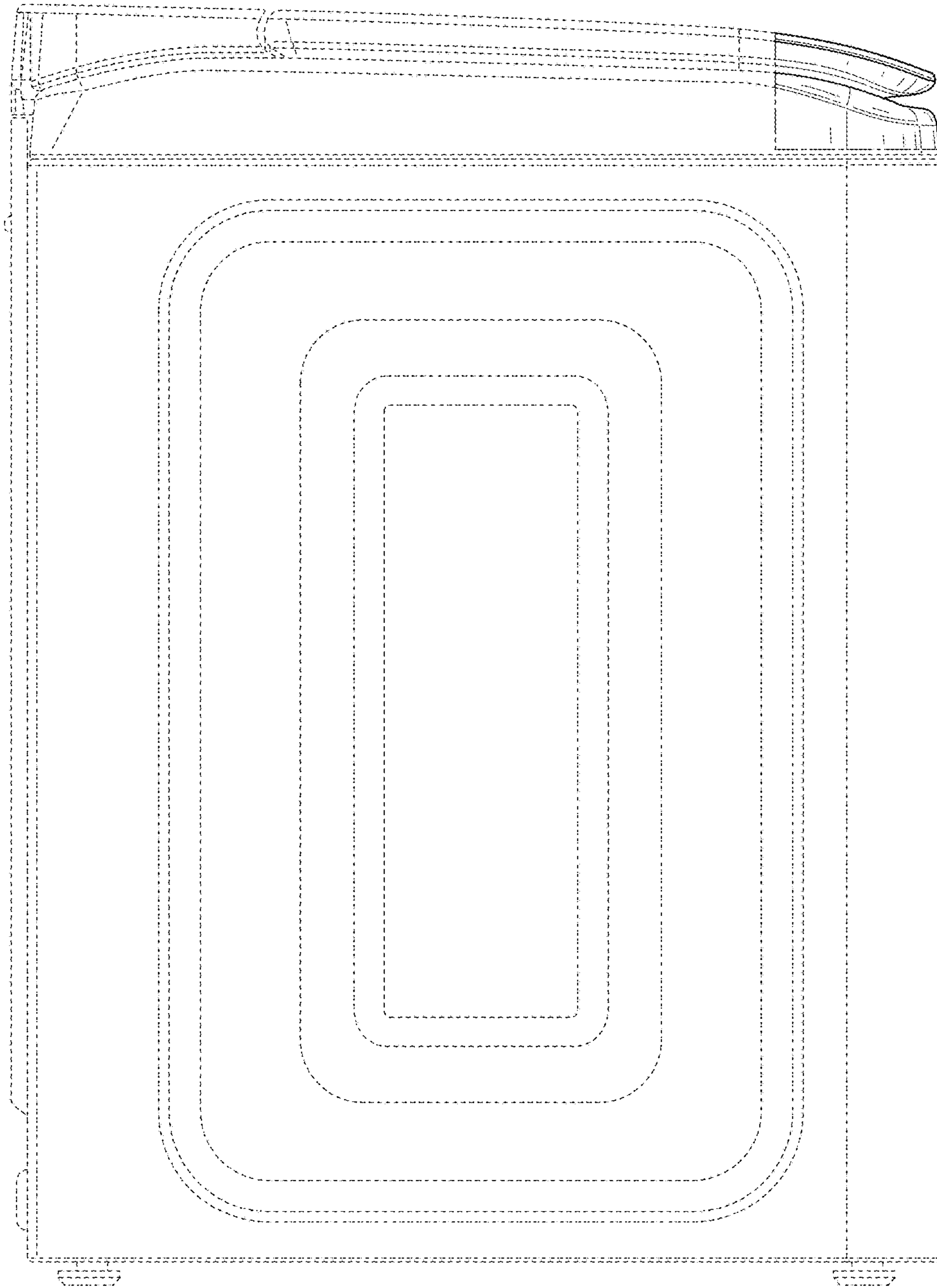


FIG. 4

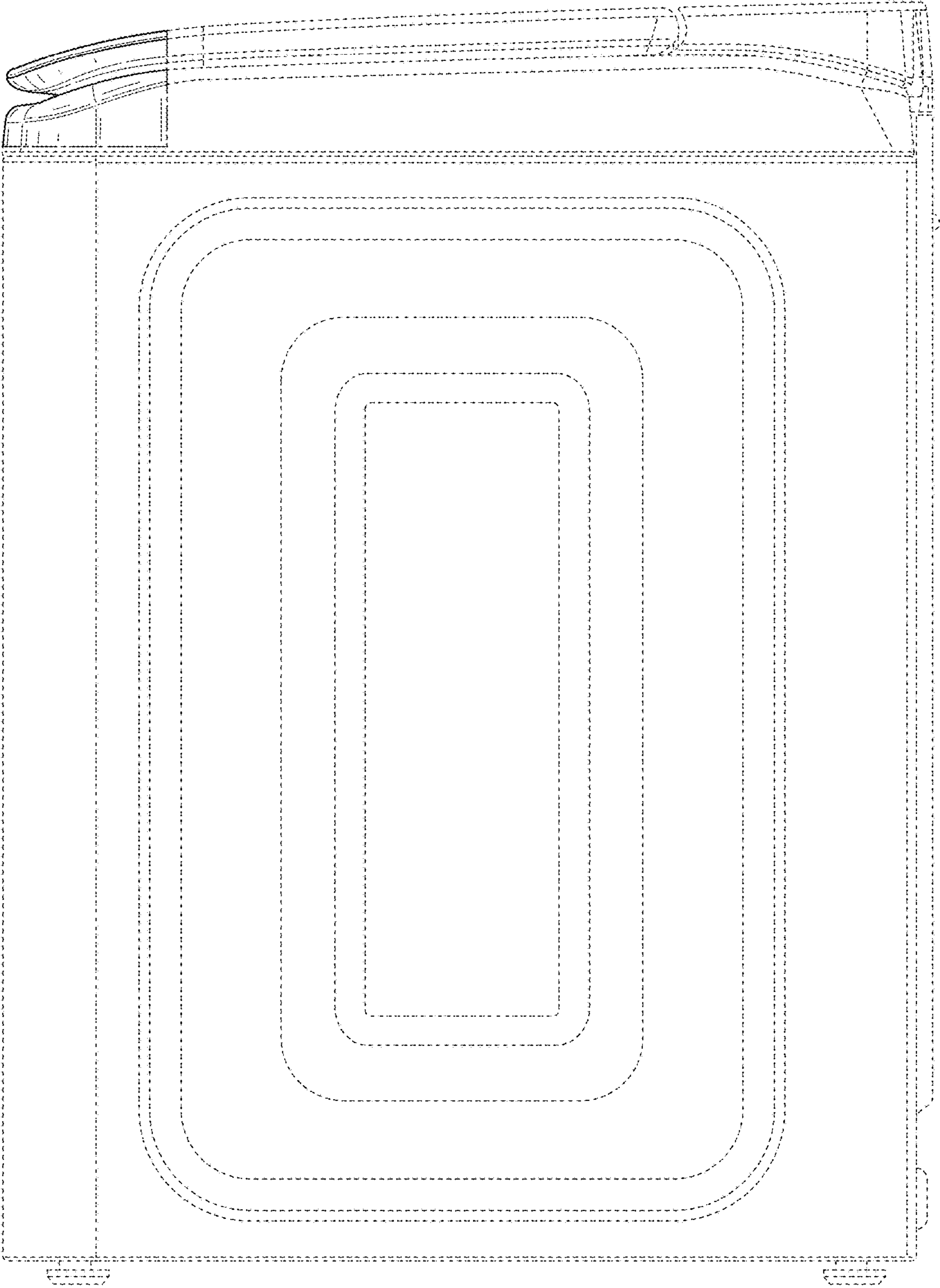


FIG. 5

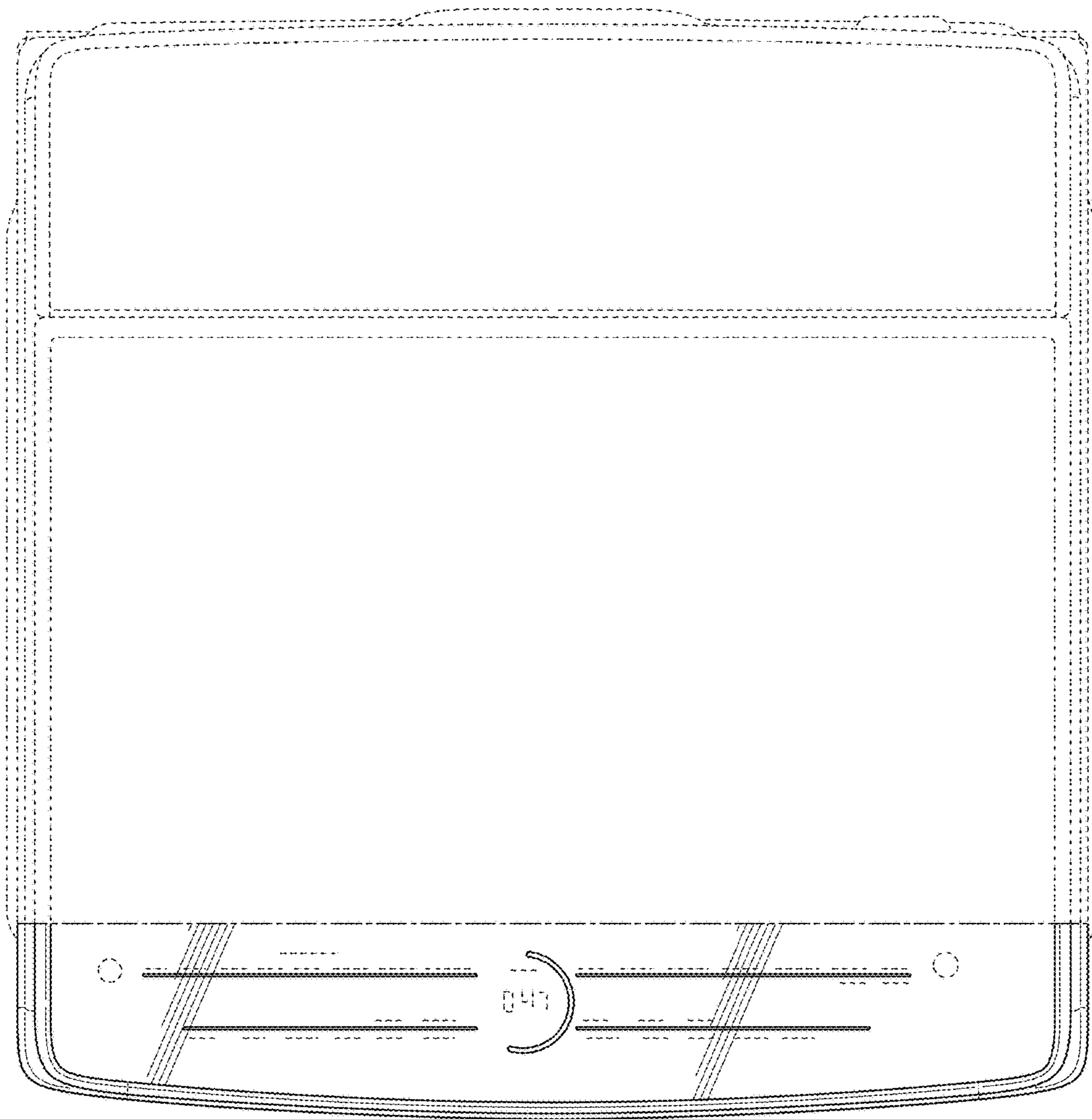


FIG. 6

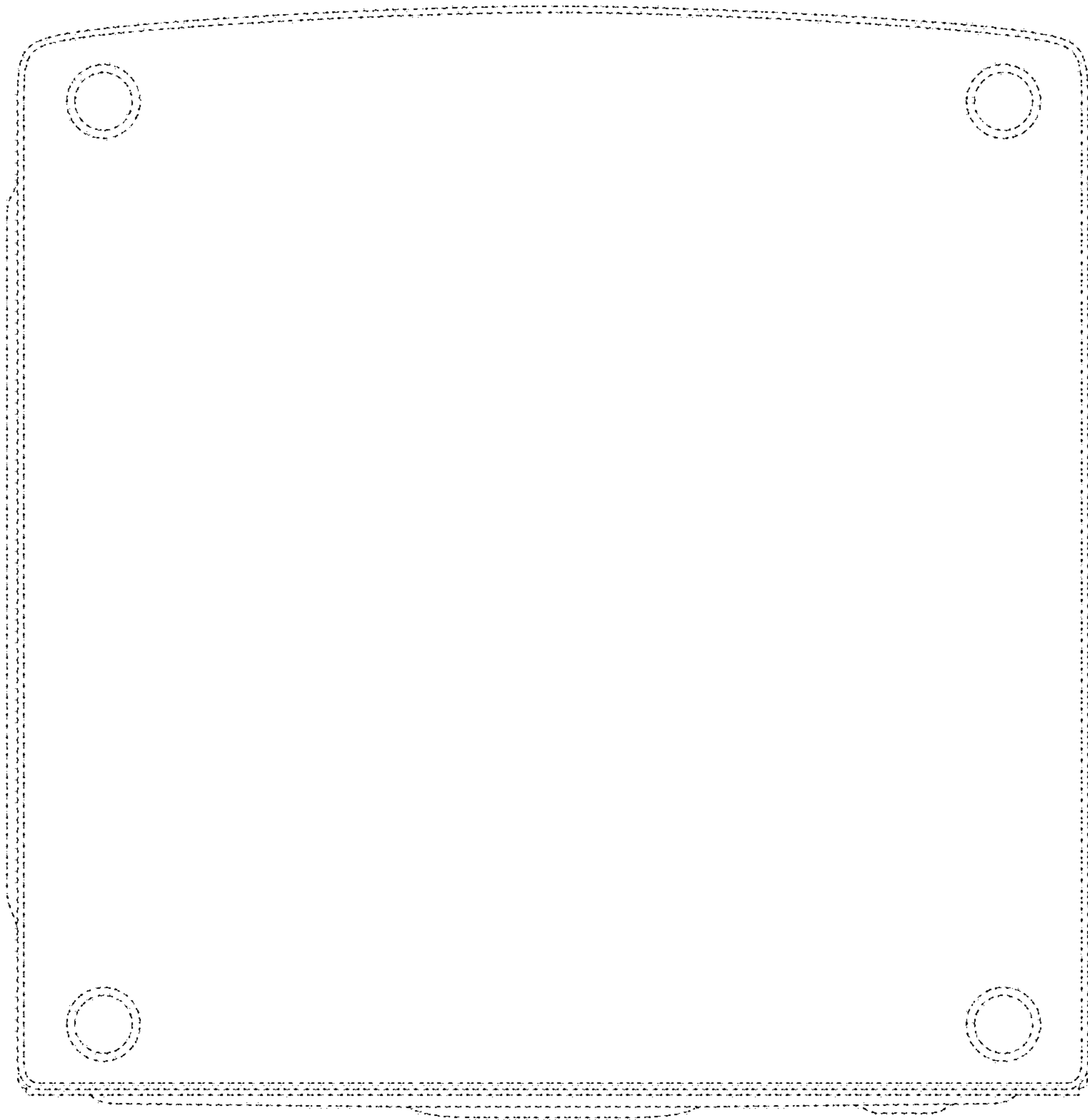


FIG. 7

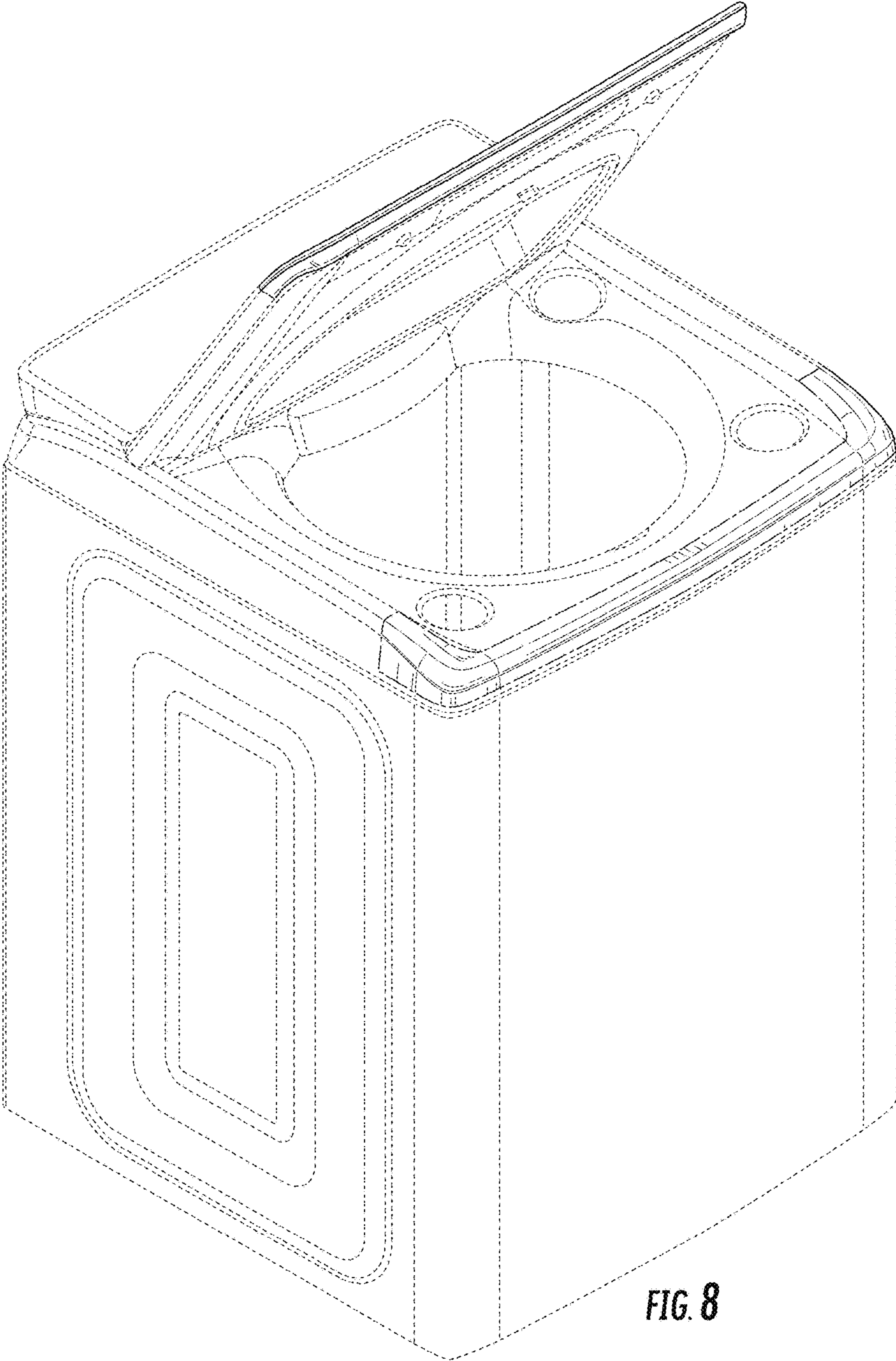


FIG. 8

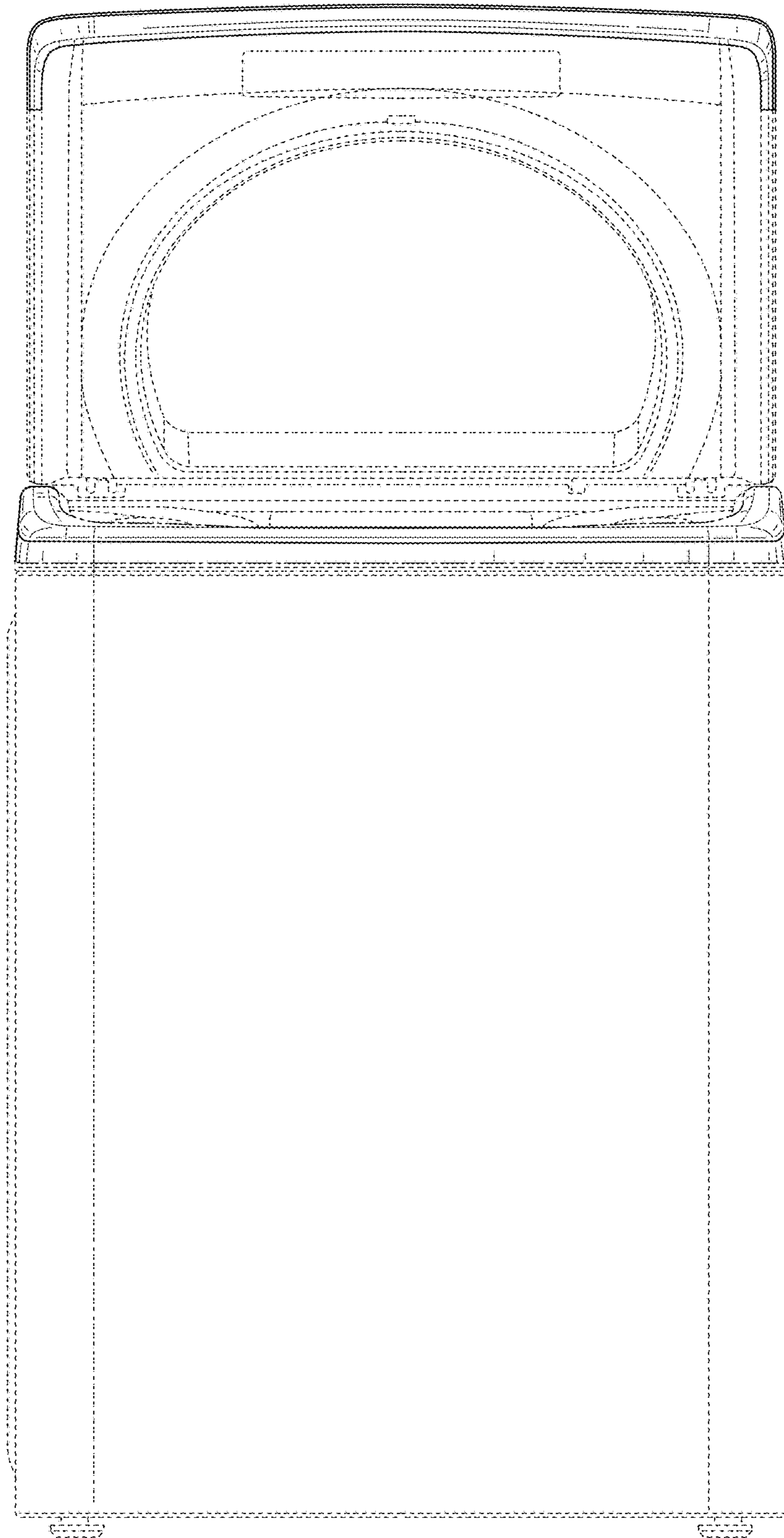


FIG. 9

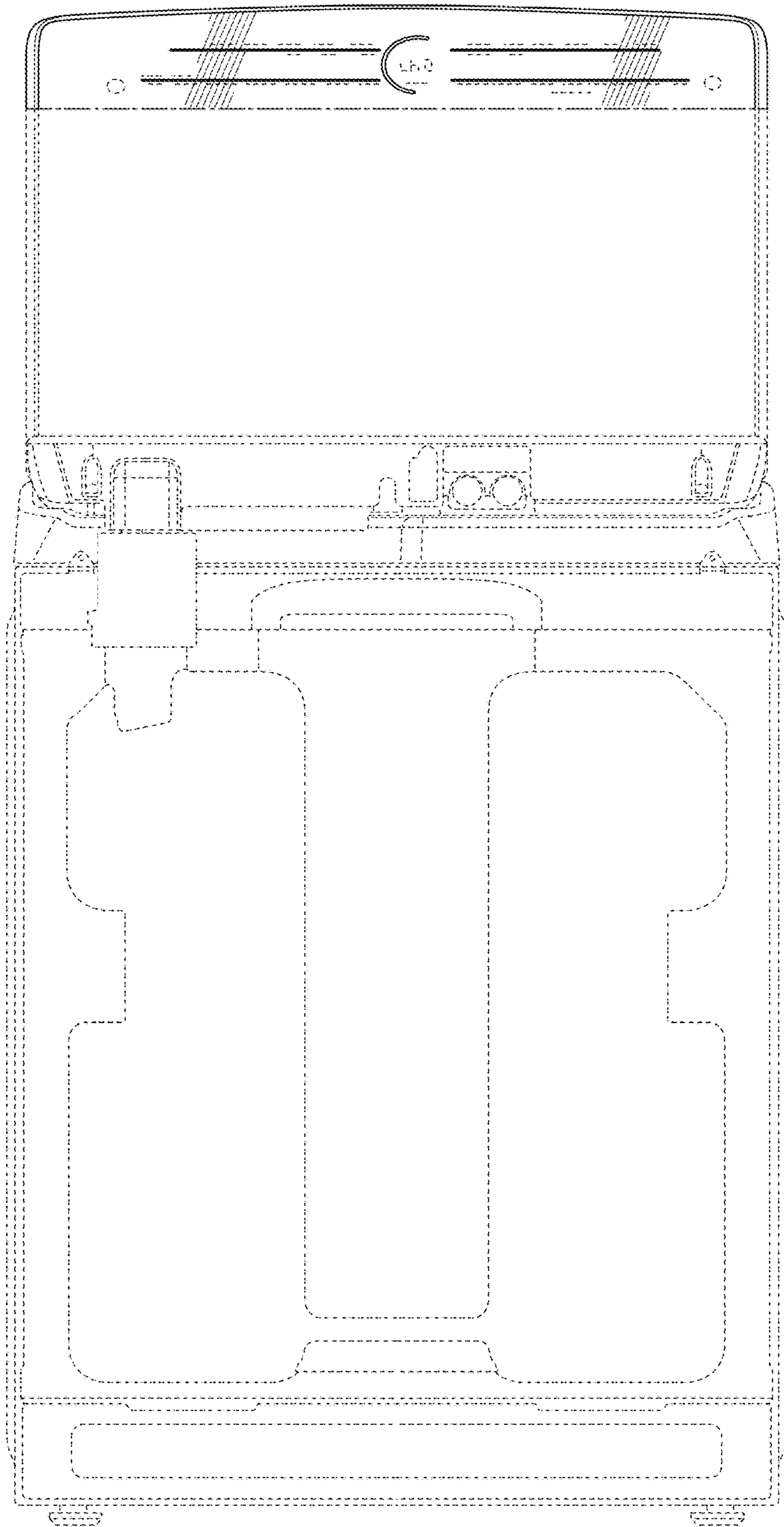


FIG. 10

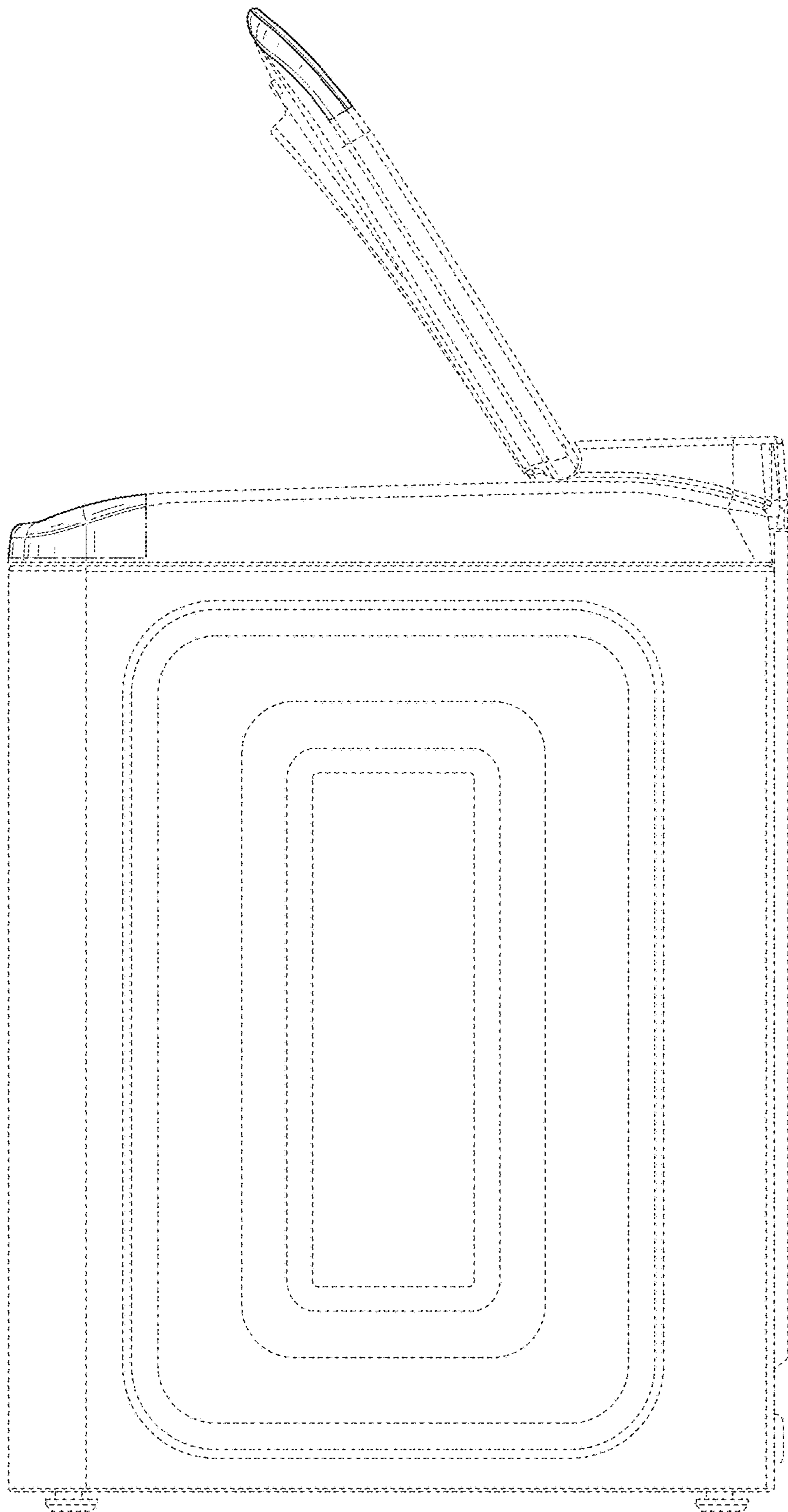


FIG. 11

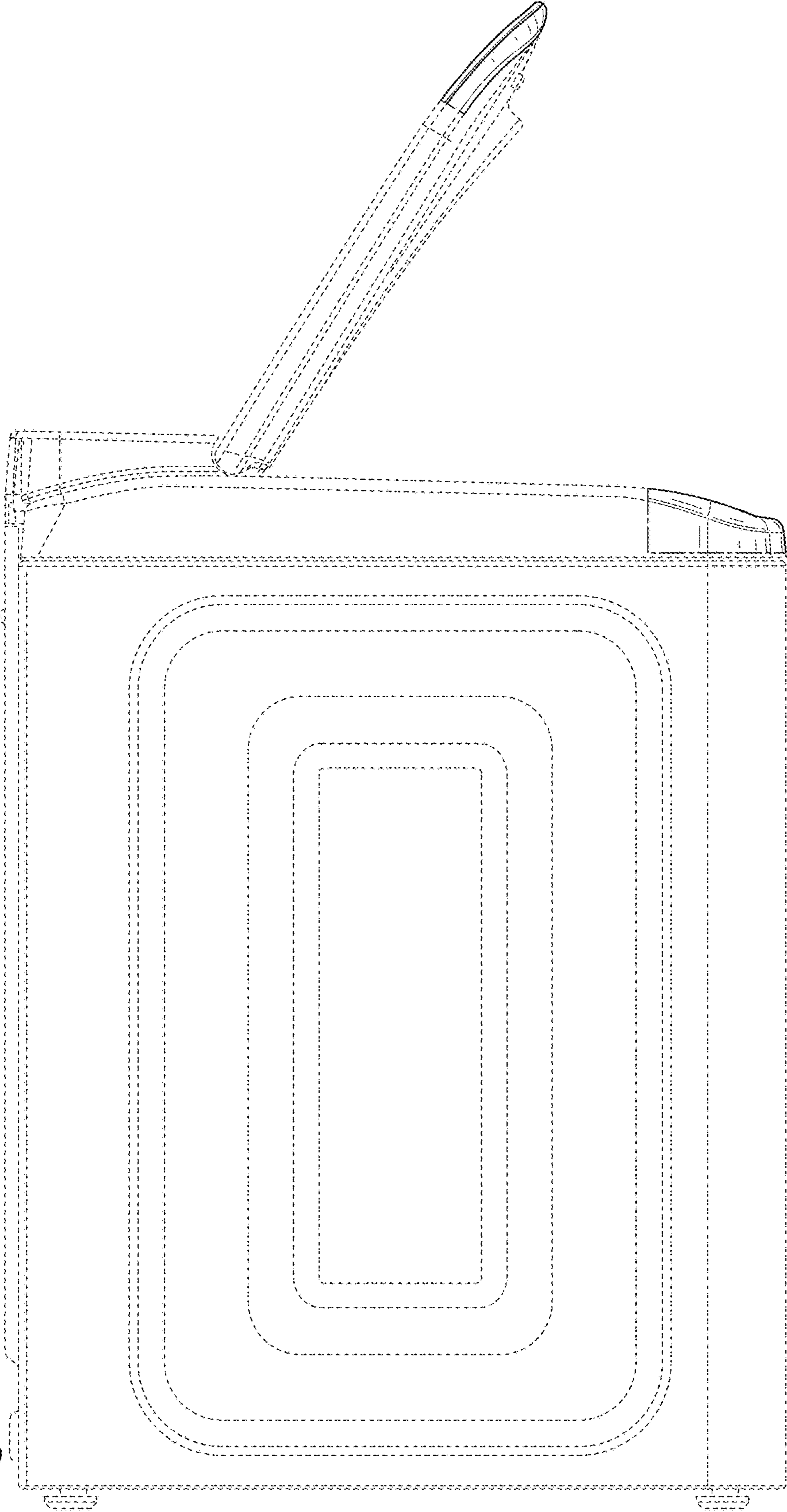


FIG. 12

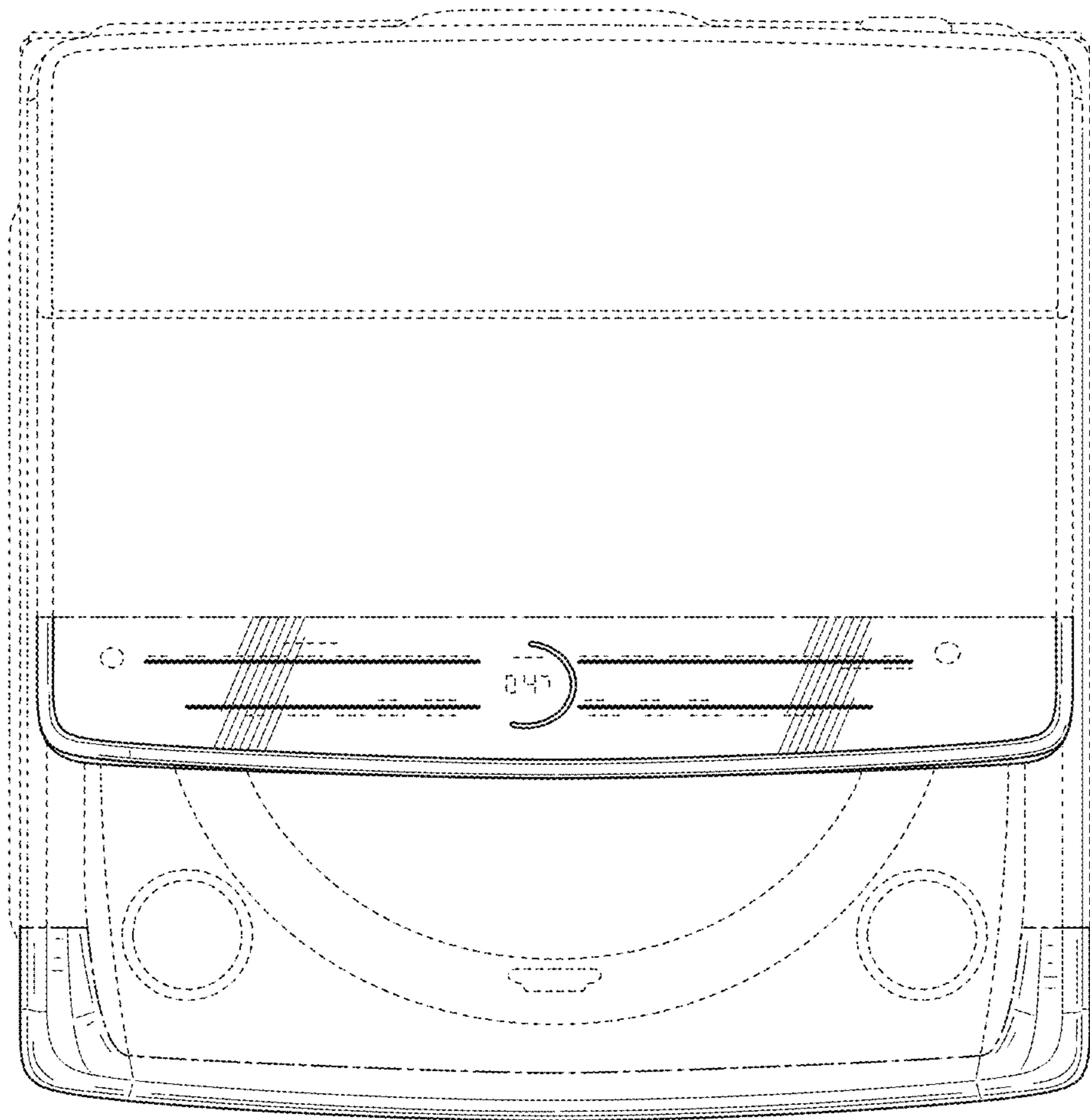


FIG. 13

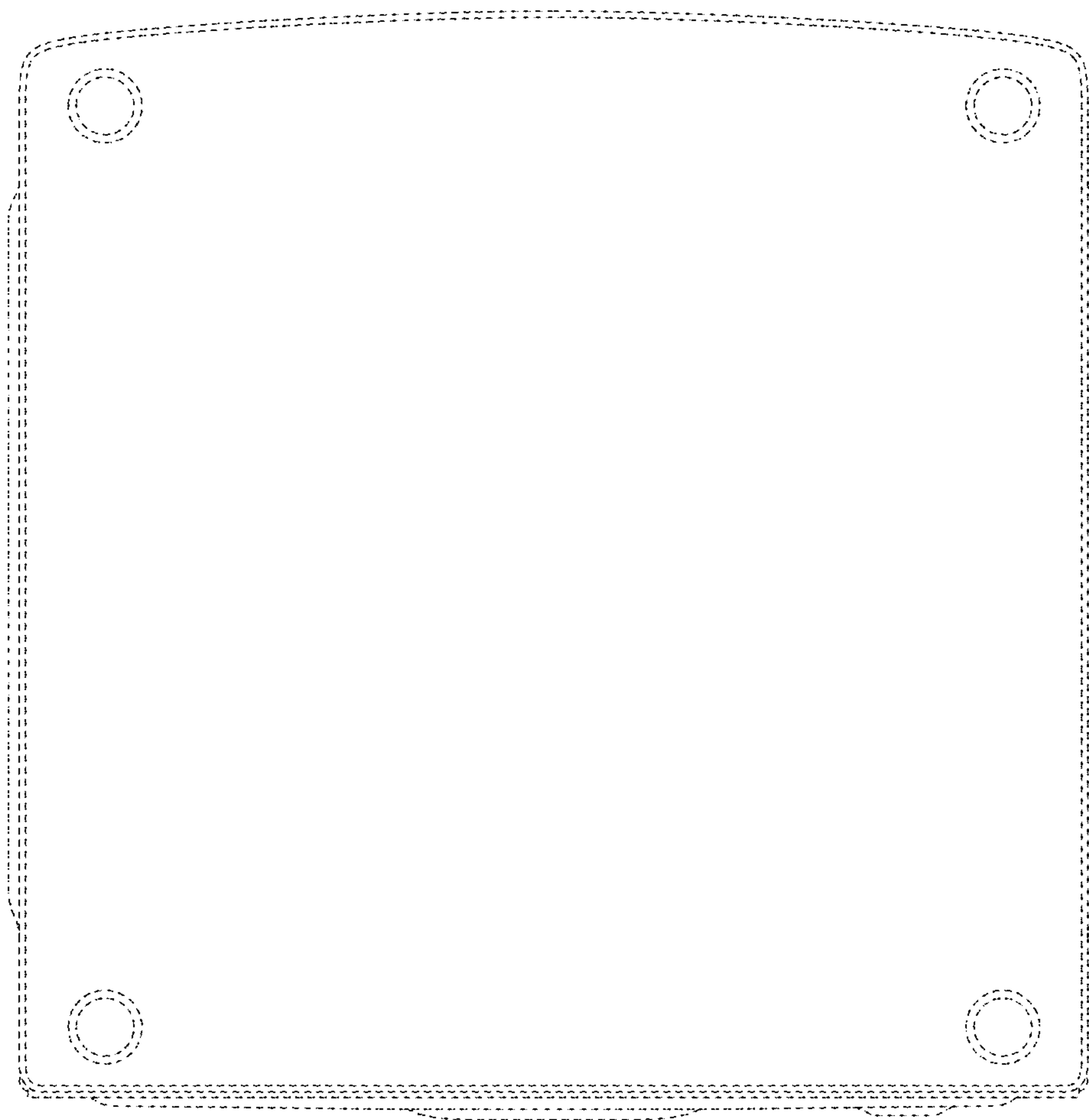


FIG. 14