



US00D822923S

(12) **United States Design Patent**
Casini

(10) **Patent No.:** **US D822,923 S**

(45) **Date of Patent:** **** *Jul. 10, 2018**

(54) **FLOOR CLEANING DEVICE**

(71) Applicant: **Carl Freudenberg KG**, Weinheim
(DE)

(72) Inventor: **Luca Casini**, Milan (IT)

(73) Assignee: **Carl Freudenberg KG**, Weinheim
(DE)

(*) Notice: This patent is subject to a terminal disclaimer.

(**) Term: **15 Years**

(21) Appl. No.: **29/586,934**

(22) Filed: **Dec. 8, 2016**

(30) **Foreign Application Priority Data**

Jun. 8, 2016 (EM) 003179662

(51) **LOC (11) Cl.** **15-05**

(52) **U.S. Cl.**
USPC **D32/21**

(58) **Field of Classification Search**
USPC D32/17, 21, 23, 24, 31
CPC G06N 3/008; A47L 9/2857; A47L 9/2842;
E04H 4/1654
See application file for complete search history.

(56) **References Cited**

U.S. PATENT DOCUMENTS

D548,411 S * 8/2007 Schroter D32/21
D551,815 S * 9/2007 Schroeter D32/21

D593,265 S * 5/2009 Carr D32/21
D625,059 S * 10/2010 Morenstein D32/21
D625,477 S * 10/2010 Morenstein D32/21
D691,337 S * 10/2013 Kim D32/21
D720,103 S * 12/2014 Haug D32/21
D743,647 S * 11/2015 Heck D32/21
D745,757 S * 12/2015 Choi D32/21
D746,005 S * 12/2015 Cheon D32/21
D751,777 S * 3/2016 Cheon D32/21
D778,514 S * 2/2017 Park D32/21
D785,879 S * 5/2017 Bu D32/21

* cited by examiner

Primary Examiner — Ruth McInroy

(74) *Attorney, Agent, or Firm* — Leydig, Voit & Mayer, Ltd.

(57) **CLAIM**

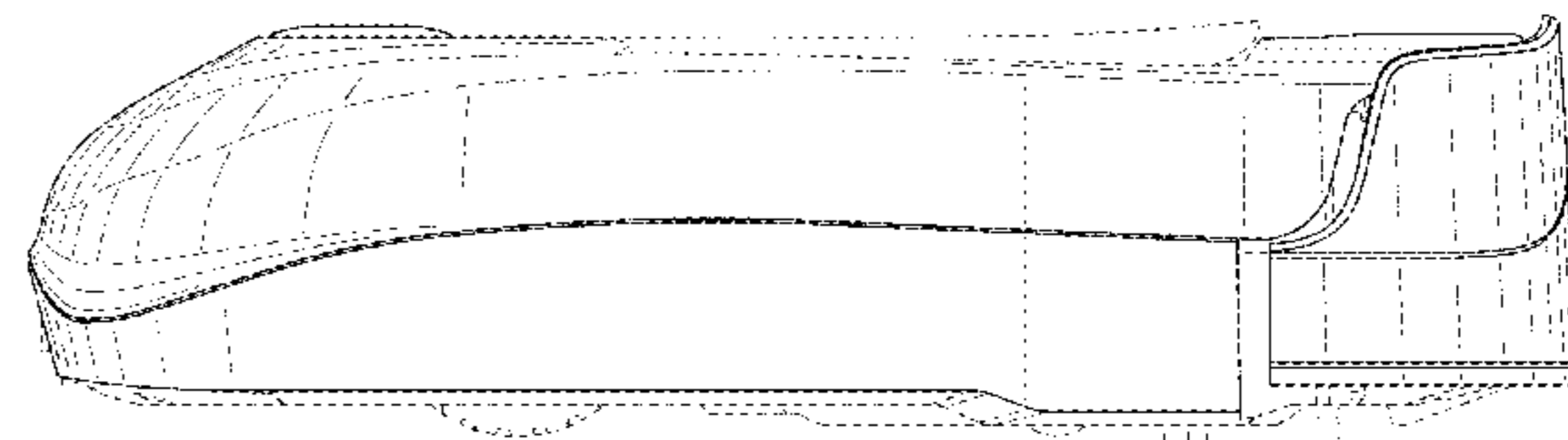
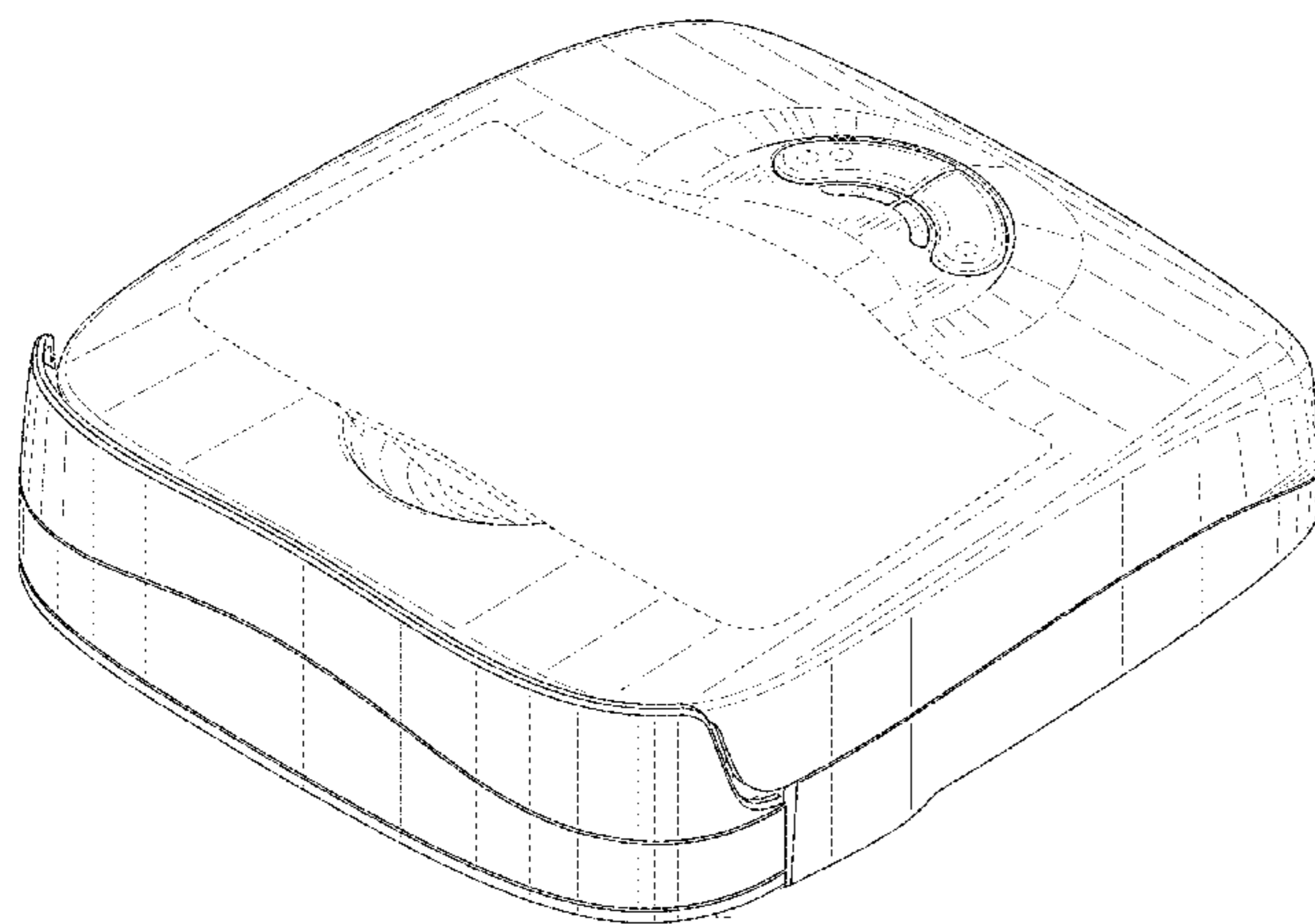
The ornamental design for a floor cleaning device, as shown.

DESCRIPTION

FIG. 1 is a top, front and right side perspective view of a floor cleaning device showing my new design; FIG. 2 is a front elevational view thereof; FIG. 3 is a top plan view thereof; FIG. 4 is a bottom plan view thereof; FIG. 5 is a right side elevational view thereof; FIG. 6 is a left side elevational view thereof; and, FIG. 7 is a rear elevational view thereof.

The details shown in broken lines form no part of the claimed design.

1 Claim, 7 Drawing Sheets



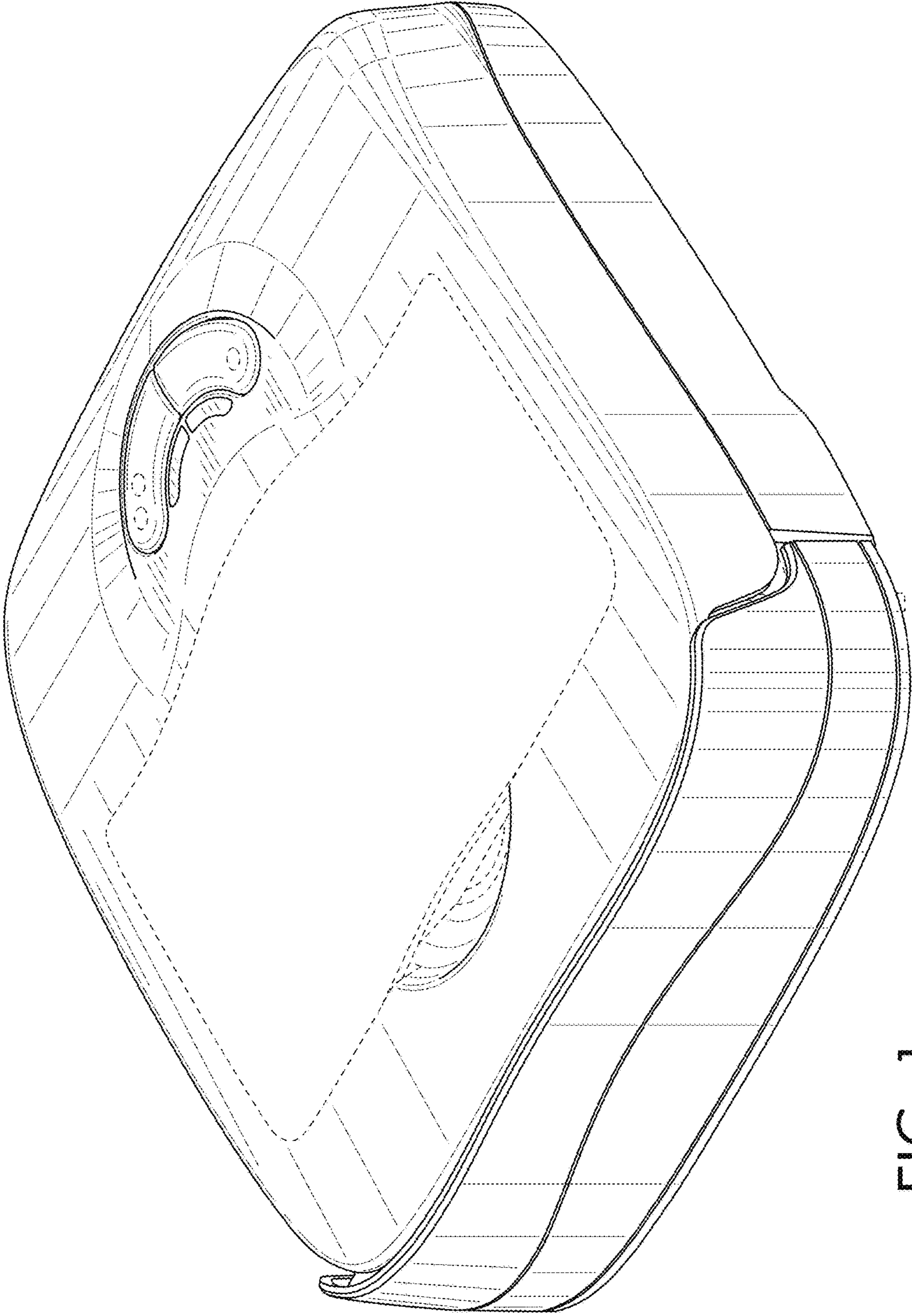


FIG. 1

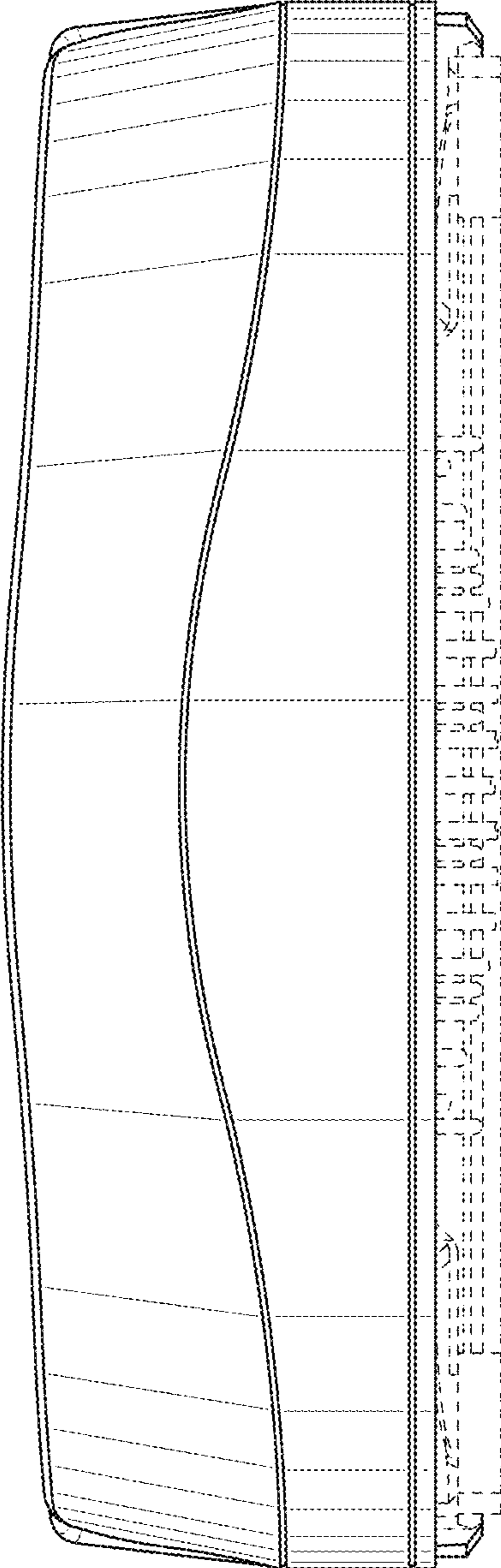


FIG. 2

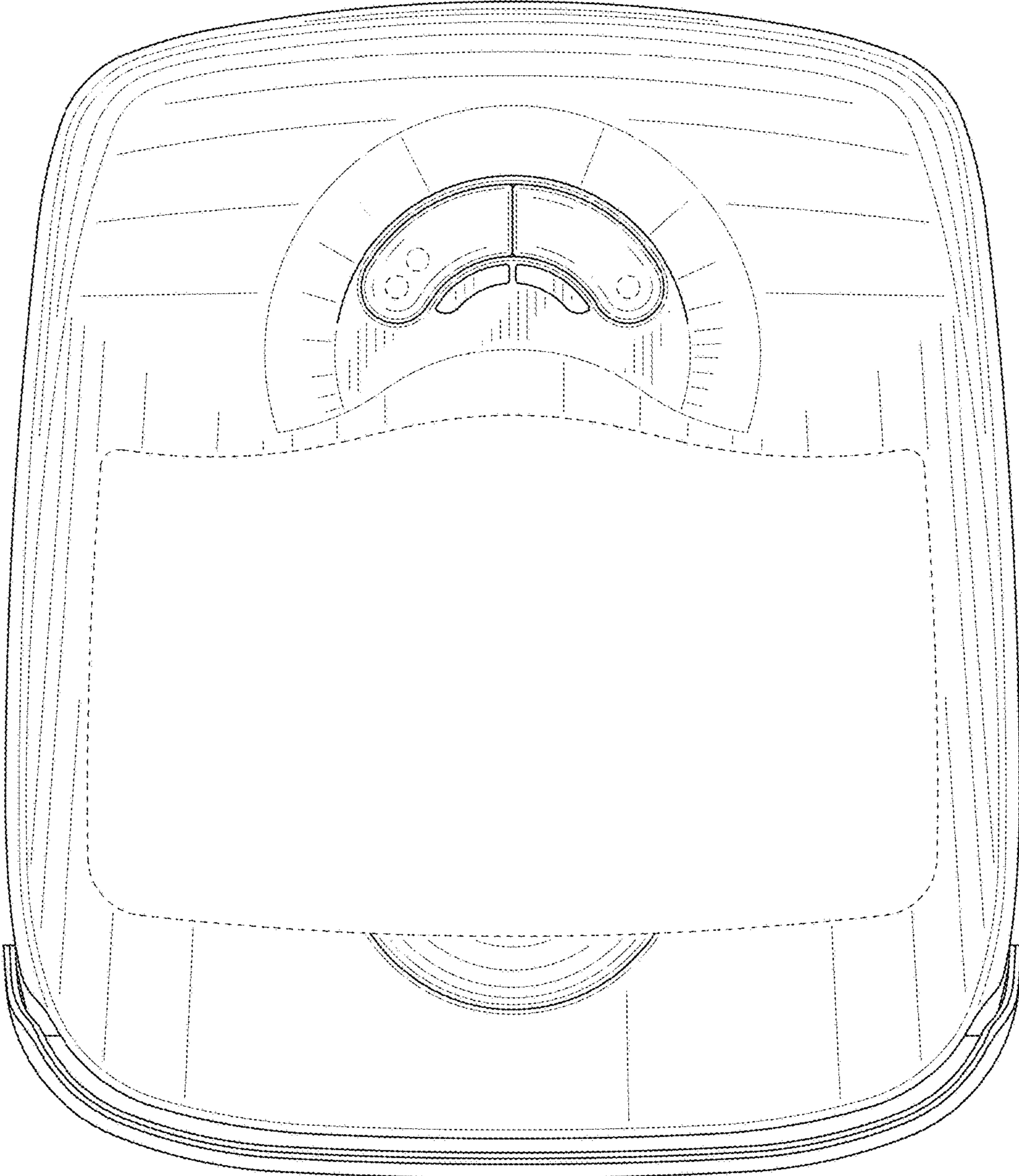


FIG. 3

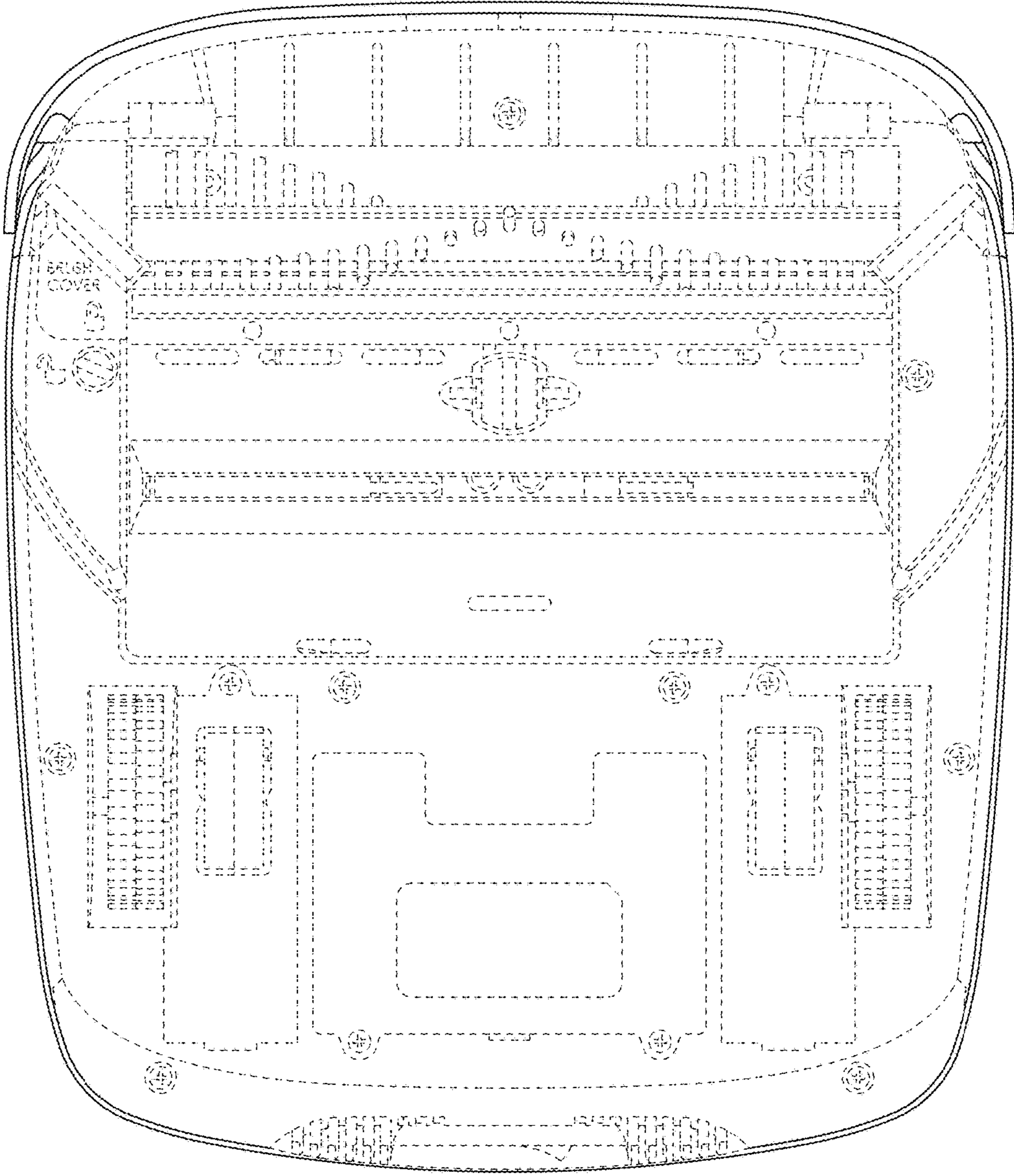


FIG. 4

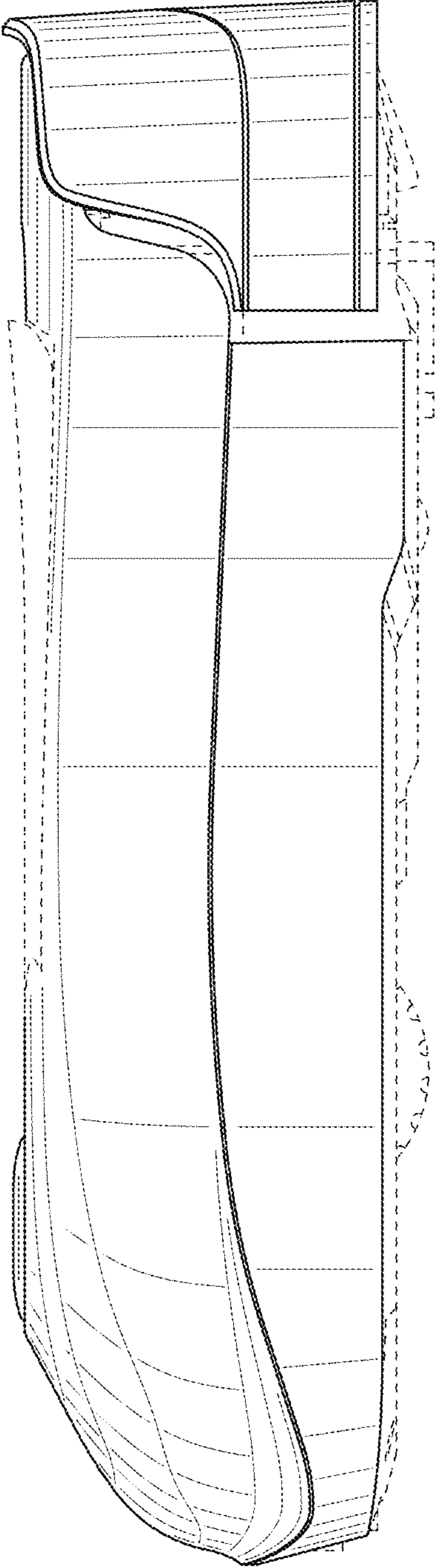


FIG. 5

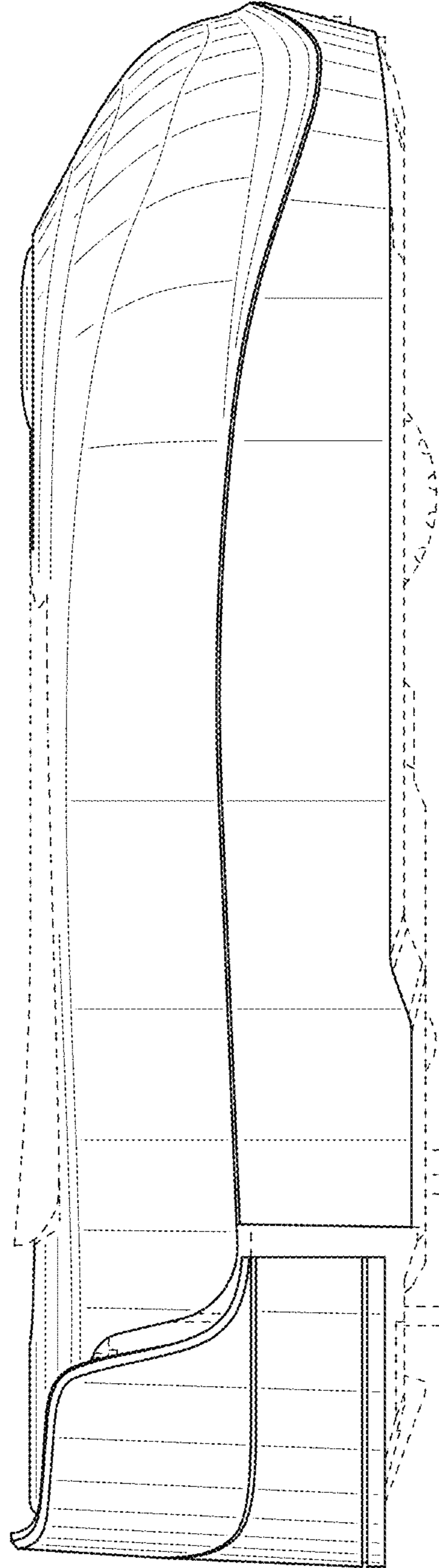


FIG. 6

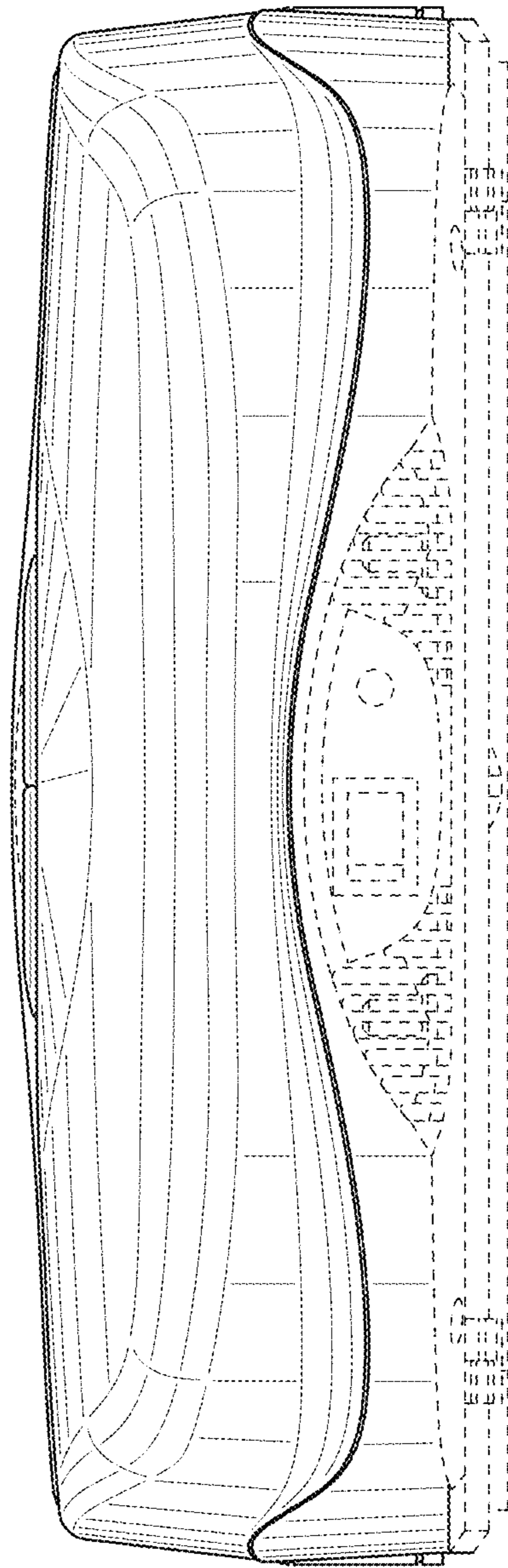


FIG. 7