



US00D822922S

(12) **United States Design Patent**
Wen

(10) **Patent No.:** **US D822,922 S**
(45) **Date of Patent:** **** Jul. 10, 2018**

(54) **BARK CONTROL**

(71) Applicant: **Jian Wen**, Shanghai (CN)

(72) Inventor: **Jian Wen**, Shanghai (CN)

(**) Term: **15 Years**

(21) Appl. No.: **29/604,315**

(22) Filed: **May 17, 2017**

(51) **LOC (11) Cl.** **30-99**

(52) **U.S. Cl.**

USPC **D30/199**; D30/152

(58) **Field of Classification Search**

USPC D30/151-155, 144, 199; 119/850, 119/855-860, 862-865, 654, 712-721, 119/725, 760, 762-776, 791-794, 815, 119/821, 724, 655, 51.02, 660, 174, 907, 119/908, 905; 24/16 R, 17 AP, 3.5 P, 24/188, 662, 324, 3.6, 307, 625, 616, 24/200, 196, 171, 169, 112, 614, 615, 24/115 F, 620, 681, 602, 306, 442, 274 R, 24/302, 300, 301, 298, 323, 16 PB, 24/265 H; D11/3, 12, 200, 7, 79-87, 97, D11/99, 107, 108, 137, 105, 103, 1, 2, D11/40-44, 46-49, 53, 56, 57, 59-61, 63, D11/65, 89, 90-92, 101, 106, 114-116, D11/201, 208-210, 212-218, 220, D11/230-234, 236, 237, 94, 6, 11, 93; D2/609, 627, 624, 632, 635, 976, 629, D2/631, 636, 614, 610, 639; 2/300, 2/311-319, 321, 322, 338, 339, 237, 170, 2/DIG. 11, 365, 307, 308, 910, 917; D24/195, 211, 189, 190, 192; D3/207-212, 270-271.3, 327; D26/38; 206/37.1, 38.1; D6/302-304; 70/456 R, 70/456 B, 458, 459, 18, 49, 58; D8/1, D8/34, 38, 18, 394, 382, 396; 54/19.1; 63/1.11, 3.1, 3.2, 3, 9, 37, 38, 18-20, 23, 63/12, 13, 14.1, 21, 31, 15.2, 15, 1.13,

63/5.1, 1.1, 501, 22; 59/85, 89, 80, 81, 59/82, 79.3; 424/409; 43/131; 446/314, 446/376; 428/28; 606/203, 204, 201; 602/62; 128/876, DIG. 15; 40/633; 473/212, 216; 604/20; 231/7; 361/232; 403/212, 213, 391; 256/57, 47; 410/97, 410/23, 7; 292/307 R; 340/573.3, 573.1, 340/384.2, 825.76, 538.16, 539.1, 539.11, 340/539.14-539.19, 572.7-572.9, 573.2, 340/573.4; D10/104.1, 104.2, 106.1, D10/106.3, 106.2; D13/103, 168, D13/162-164; 42/90; D14/137, 496, D14/218, 159, 217, 188, 225, 205, 155, D14/174, 388, 511; D21/566, 333, 516;
(Continued)

(56)

References Cited

U.S. PATENT DOCUMENTS

D207,442 S * 4/1967 Facel D2/616
D336,446 S * 6/1993 Browning D11/126
(Continued)

Primary Examiner — Susan Moon Lee

(57)

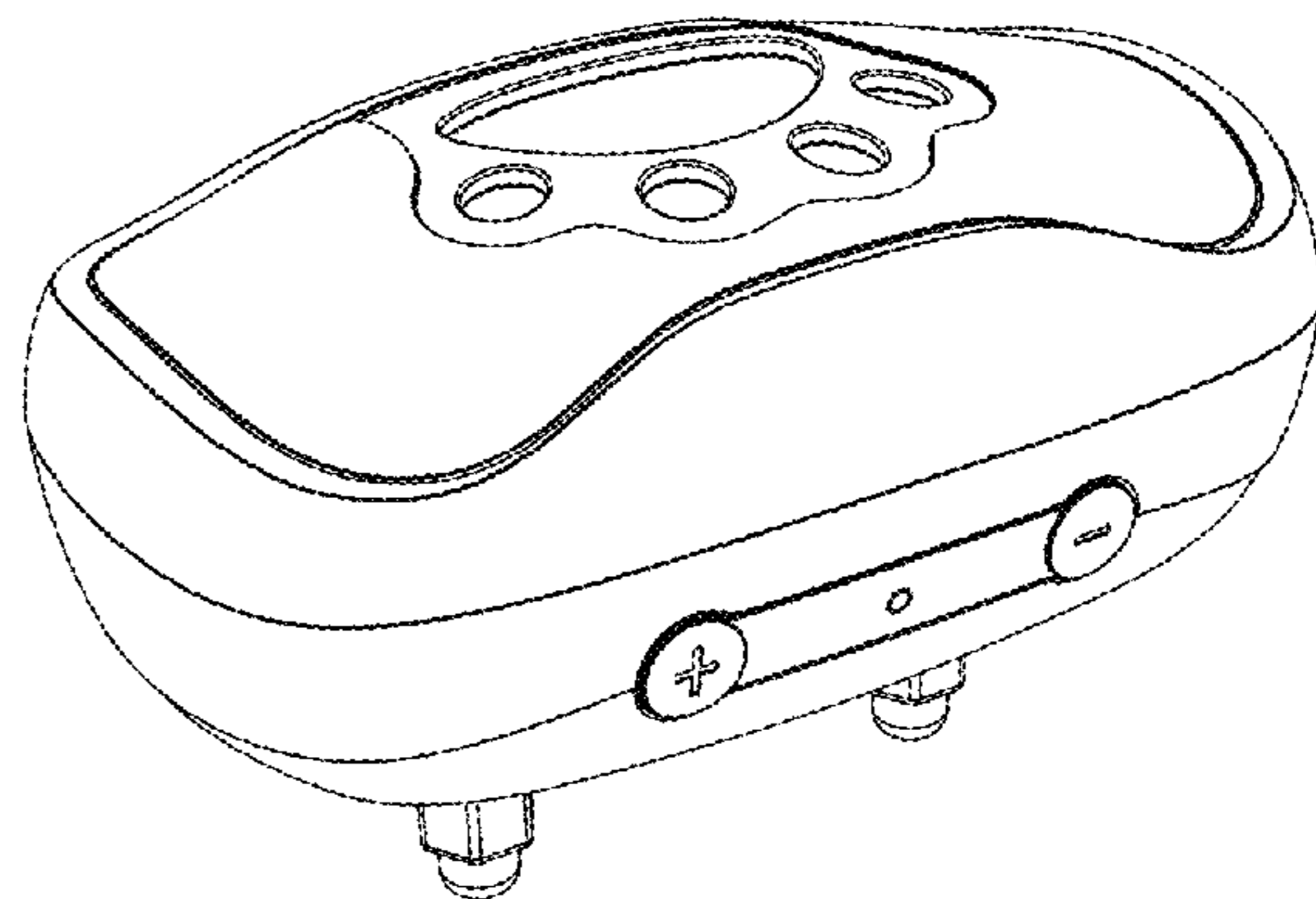
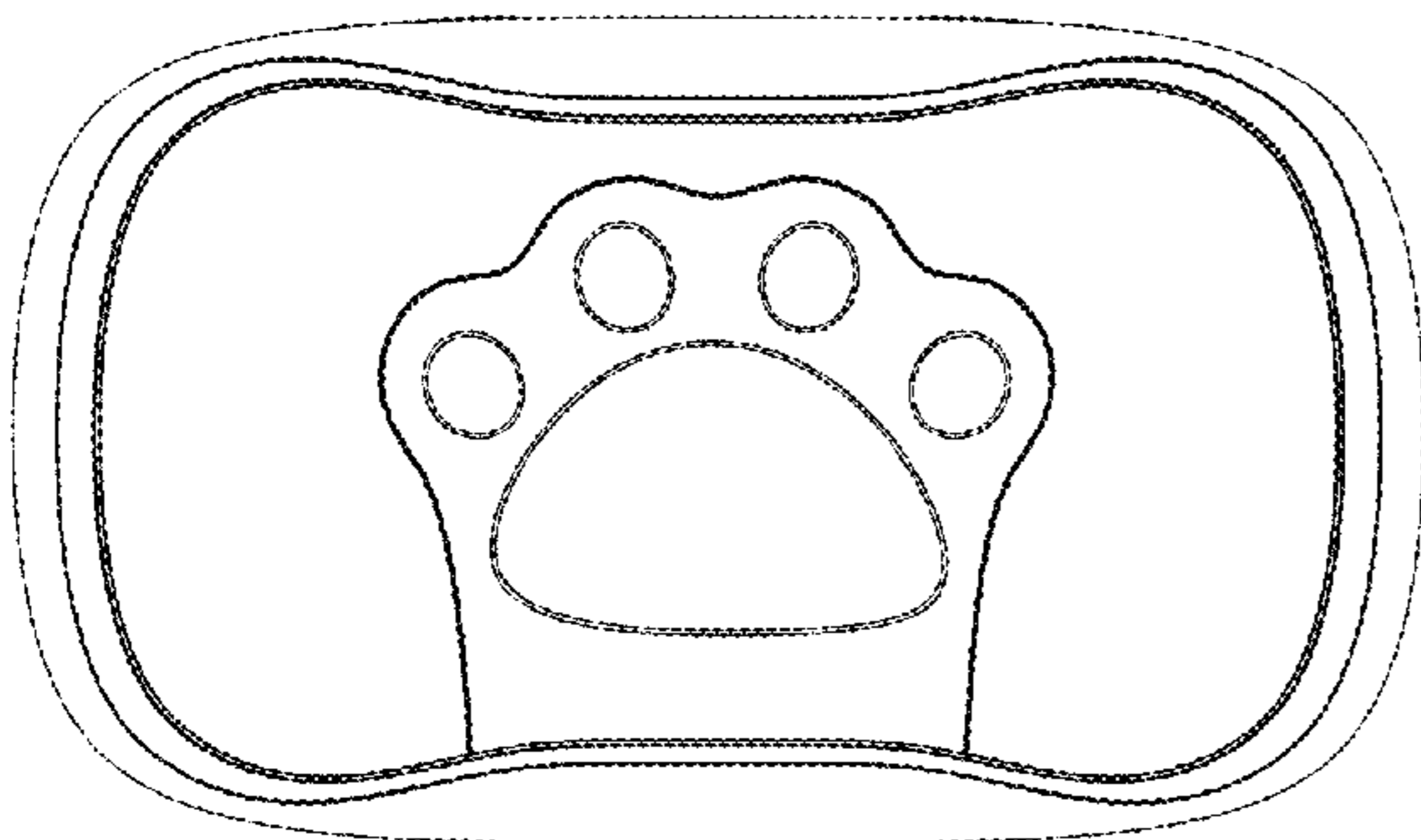
CLAIM

The ornamental design for a bark control, as shown.

DESCRIPTION

FIG. 1 is a front elevational view of a bark control showing my new design;
FIG. 2 is a rear elevational view thereof;
FIG. 3 is a left side view thereof;
FIG. 4 is a right side view thereof;
FIG. 5 is a top plan view thereof;
FIG. 6 is a bottom plan view thereof;
FIG. 7 is a perspective view thereof;
FIG. 8 is a second perspective view thereof; and,
FIG. 9 is a third perspective view thereof.

1 Claim, 3 Drawing Sheets



(58) **Field of Classification Search**

USPC 715/738; 434/350; 600/323;
 348/211.99, 14.05, 114, 734;
 341/175-176; 455/575.1; 343/788, 718,
 343/728, 895
 CPC A01K 15/021; A01K 15/02; A01K 15/022;
 A01K 15/023; A01K 15/029; A01K
 15/04; A01K 15/00; A01K 15/006; A01K
 12/022; A01K 27/009; A01K 27/00;
 A01K 27/001; A01K 27/006-27/008;
 A01K 29/005; A01K 29/00; H05K 5/03;
 H04B 10/00; H01H 9/02; G09G 5/00;
 G09D 1/10; G08C 23/04; G08C 19/12;
 G08C 19/00; H04N 5/44; H04N 5/445;
 H04N 7/00; H04L 17/02; G05B 11/01;
 G06F 3/02; H01Q 1/273; H01Q 1/362;
 H01Q 11/08; H01Q 7/08

See application file for complete search history.

(56) **References Cited**

U.S. PATENT DOCUMENTS

D357,588 S * 4/1995 Fachinger D6/302
 D360,304 S * 7/1995 Fachinger D6/302
 5,604,478 A * 2/1997 Grady A01K 15/02
 119/174
 D394,229 S * 5/1998 Curry D11/126
 D410,206 S * 5/1999 Slater D10/104.1
 D421,234 S * 2/2000 Hall D10/104.1
 D445,518 S * 7/2001 Warden D26/38
 D447,074 S * 8/2001 Chan D10/104.1
 6,341,578 B1 * 1/2002 Berube A01K 1/0121
 119/162
 D457,705 S * 5/2002 Haslet D28/63
 6,460,191 B1 * 10/2002 Lorkovic A47L 25/005
 15/227
 D476,767 S * 7/2003 Warden D26/38
 D504,223 S * 4/2005 Tamburri D3/211
 D507,119 S * 7/2005 Reeves, Jr. D6/304
 D531,364 S * 10/2006 Crane D30/118
 D543,036 S * 5/2007 Thompson D5/65
 D558,408 S * 12/2007 Khubani D30/199
 D560,862 S * 1/2008 Knuth D30/155
 D561,411 S * 2/2008 Pipenur D30/155
 D571,929 S * 6/2008 Palmer, III D25/2

D572,141 S * 7/2008 Slabaugh D9/414
 D585,727 S * 2/2009 Kelleghan D8/356
 D589,660 S * 3/2009 Tolentino-Swem D30/153
 D591,162 S * 4/2009 Slabaugh D9/414
 D591,478 S * 5/2009 Slusarczyk D1/107
 D591,914 S * 5/2009 Witham D30/199
 D598,279 S * 8/2009 Seehoff D8/395
 D598,613 S * 8/2009 Walston D30/146
 D602,656 S * 10/2009 Fuhrer D30/162
 D614,074 S * 4/2010 Castaline D11/79
 D622,028 S * 8/2010 Kerr D1/107
 D632,853 S * 2/2011 Hardi D30/144
 D640,151 S * 6/2011 Hill D10/65
 D640,564 S * 6/2011 Kerr D9/607
 D650,147 S * 12/2011 Kerr D1/106
 D654,245 S * 2/2012 School D99/5
 D661,846 S * 6/2012 Miller D30/152
 D665,000 S * 8/2012 Morelli D15/90
 D665,133 S * 8/2012 Haverstock D30/129
 D665,264 S * 8/2012 Kerr D9/607
 D666,367 S * 8/2012 Miller D30/152
 D667,562 S * 9/2012 Nguyen D24/224
 D682,442 S * 5/2013 Nguyen D24/224
 D687,616 S * 8/2013 Smith D1/107
 D693,862 S * 11/2013 Wirth, Jr. D15/140
 D694,299 S * 11/2013 Wirth, Jr. D15/140
 D702,437 S * 4/2014 Laboret D3/293
 8,732,919 B1 * 5/2014 Malueg-Ray A61G 17/08
 27/1
 D707,898 S * 6/2014 Ma D26/38
 D710,112 S * 8/2014 Dunn D4/125
 D715,675 S * 10/2014 Ma D11/3
 D725,317 S * 3/2015 Avalos Sartorio D30/121
 D727,032 S * 4/2015 Davis D30/158
 D756,826 S * 5/2016 Smith D10/104.1
 D757,374 S * 5/2016 Breit D30/133
 9,332,812 B2 * 5/2016 Ma A44C 15/0015
 D766,659 S * 9/2016 Laurain D30/130
 D798,003 S * 9/2017 Dong D30/199
 D811,016 S * 2/2018 Liu D30/152
 D811,622 S * 2/2018 Flood D25/113
 2008/0067193 A1 * 3/2008 Powers A45D 34/00
 222/175
 2013/0180467 A1 * 7/2013 Wong A01K 15/022
 119/718
 2015/0060205 A1 * 3/2015 Blackwell B60R 3/007
 182/223
 2016/0366859 A1 * 12/2016 Prasanna A01K 29/005

* cited by examiner

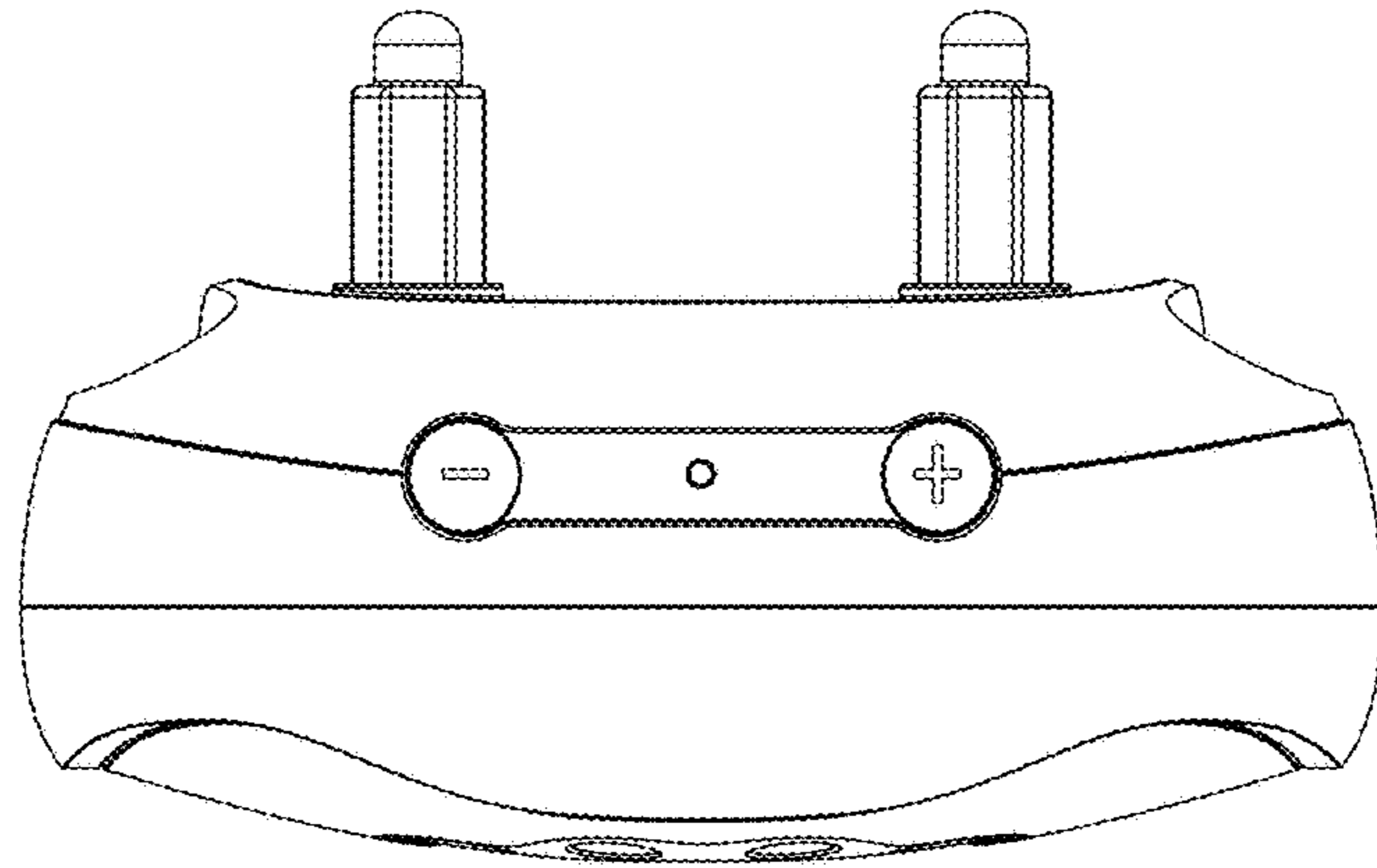


FIG. 1

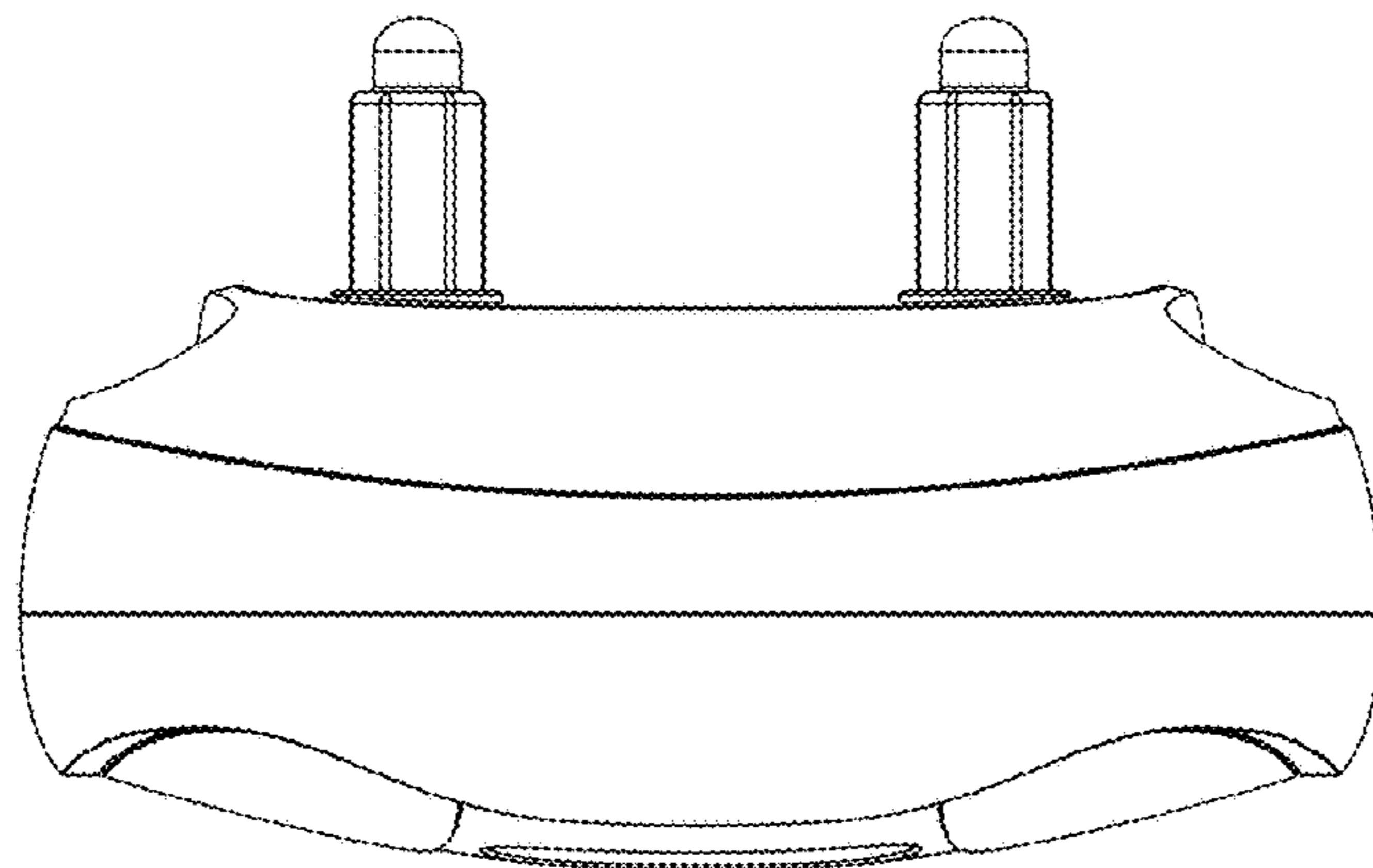


FIG. 2

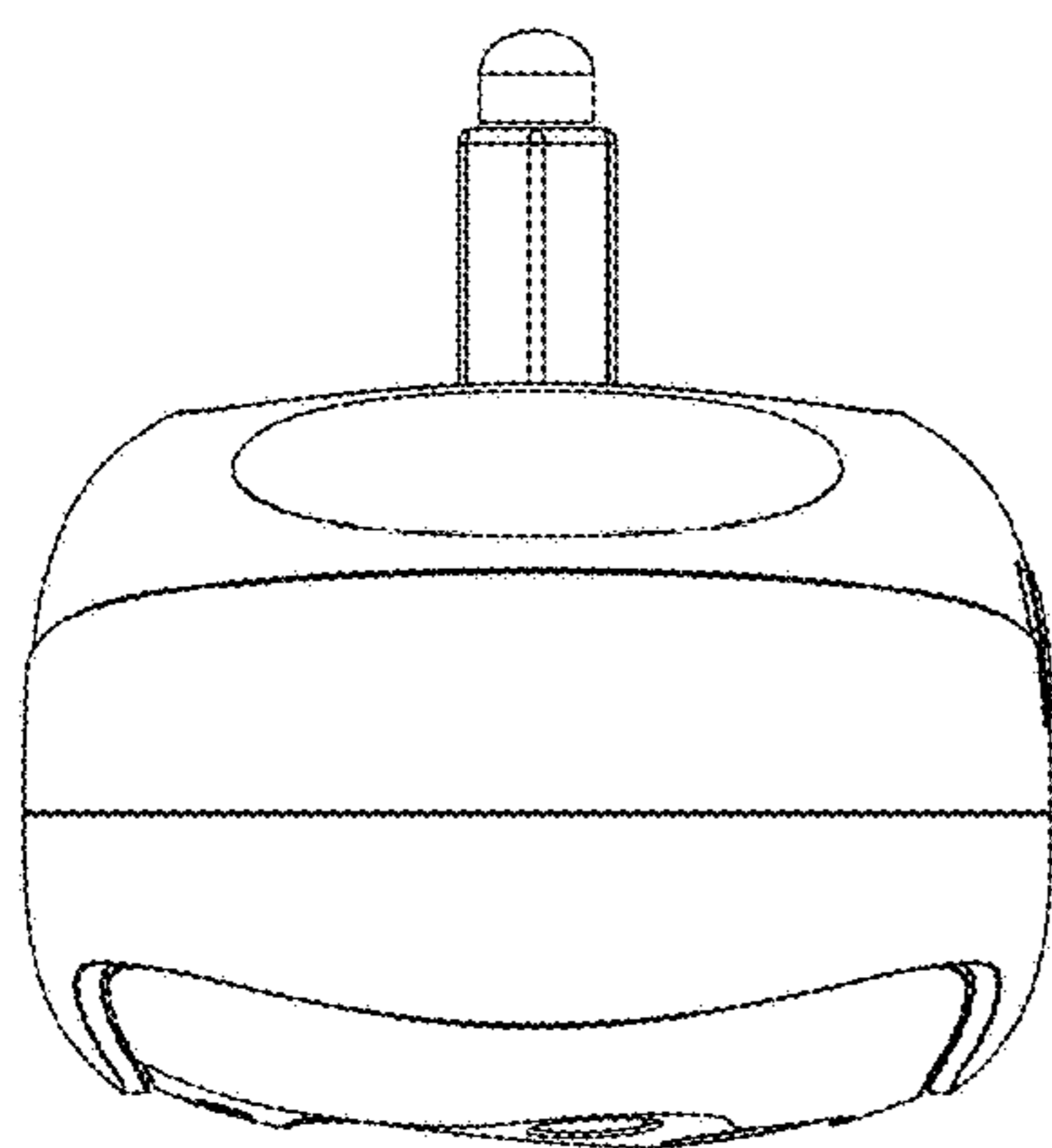


FIG. 3

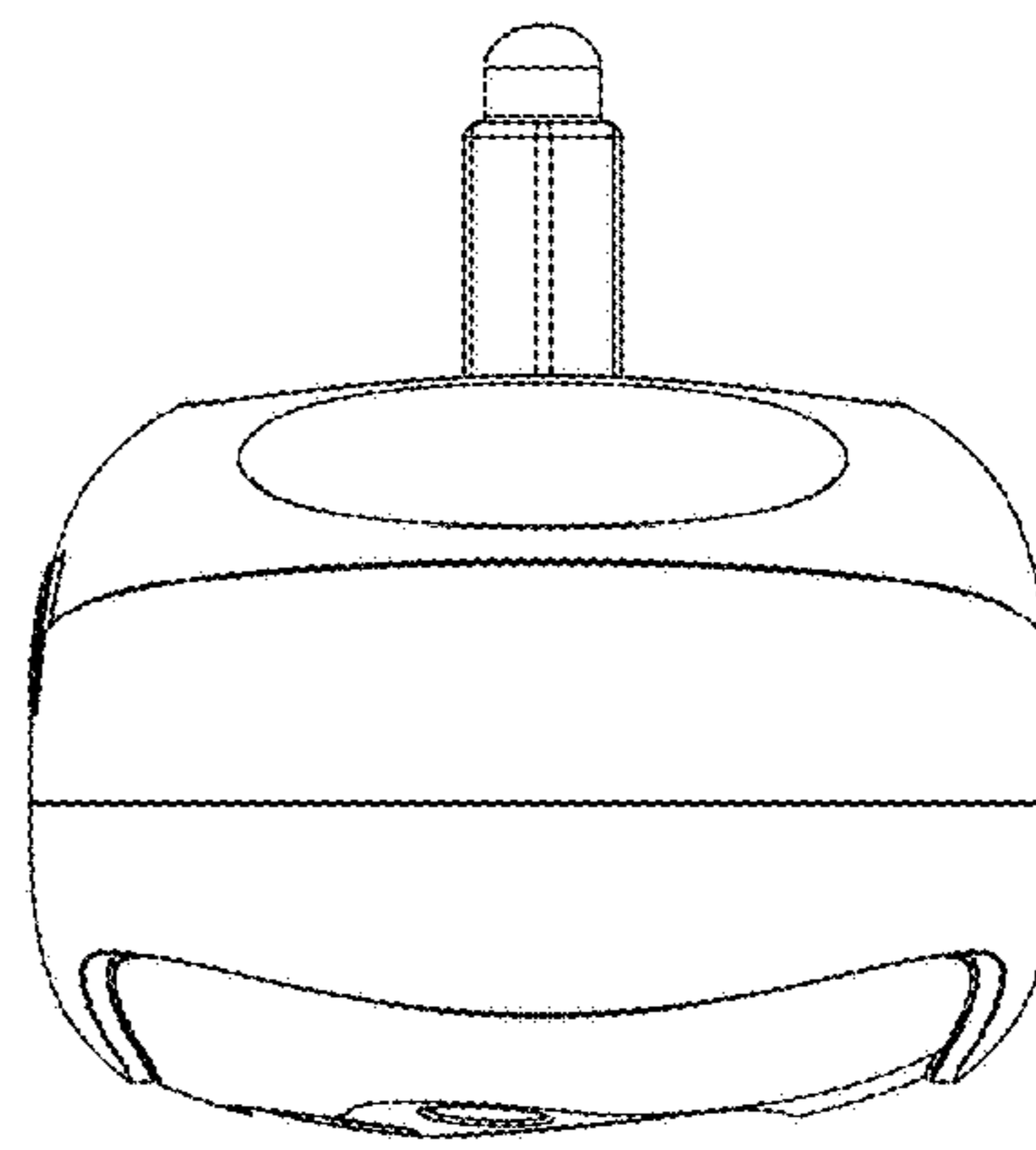


FIG. 4

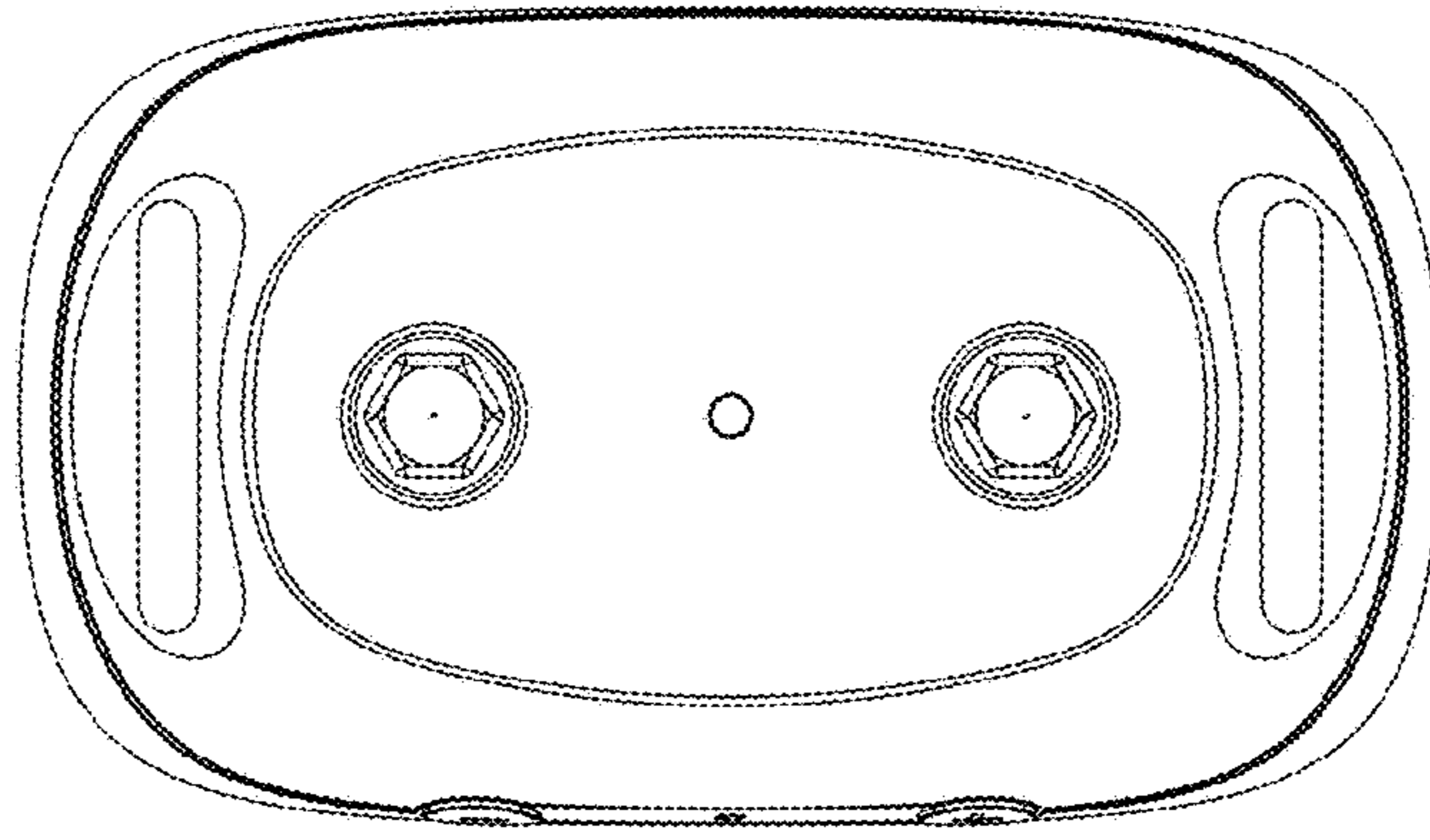


FIG. 5

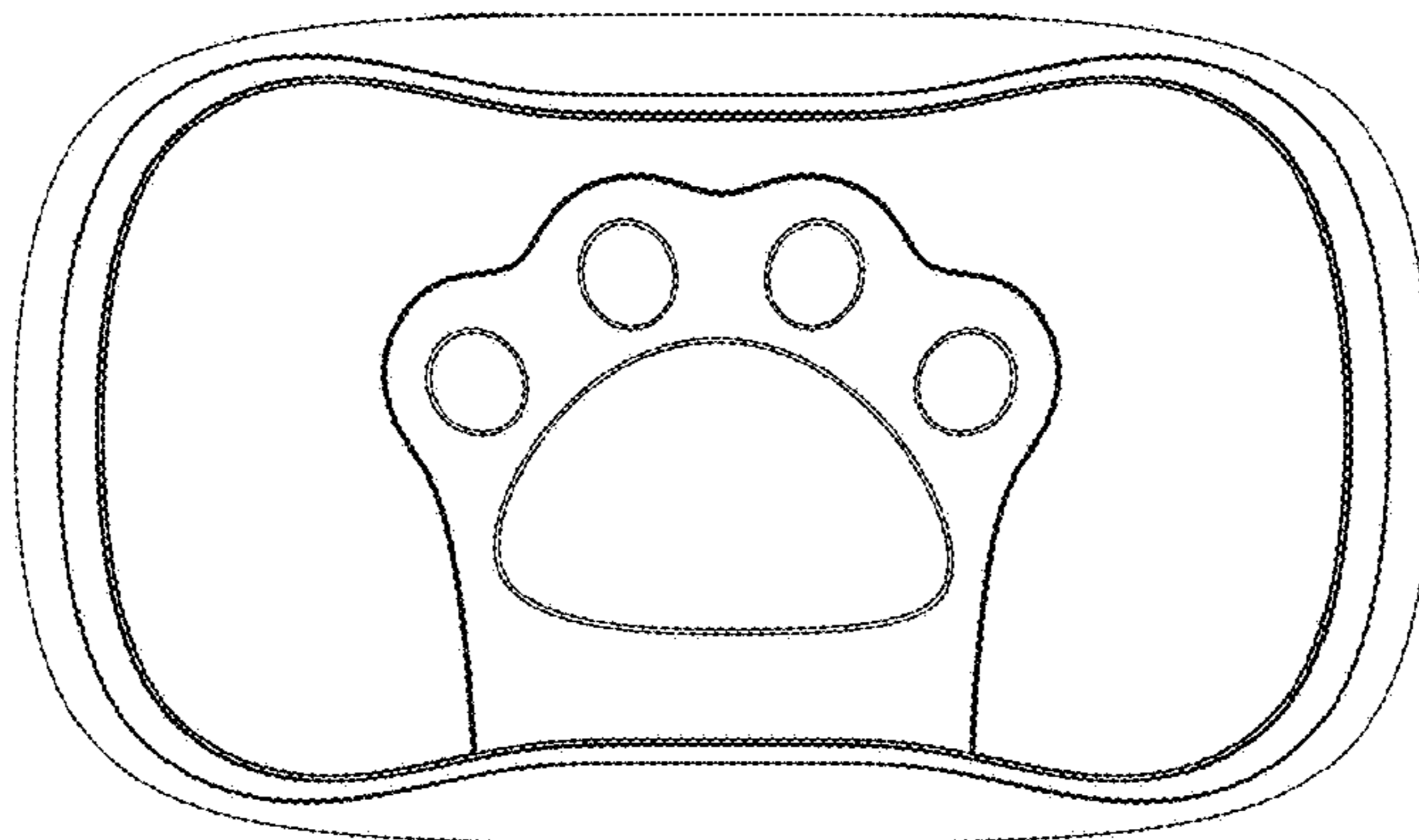


FIG. 6

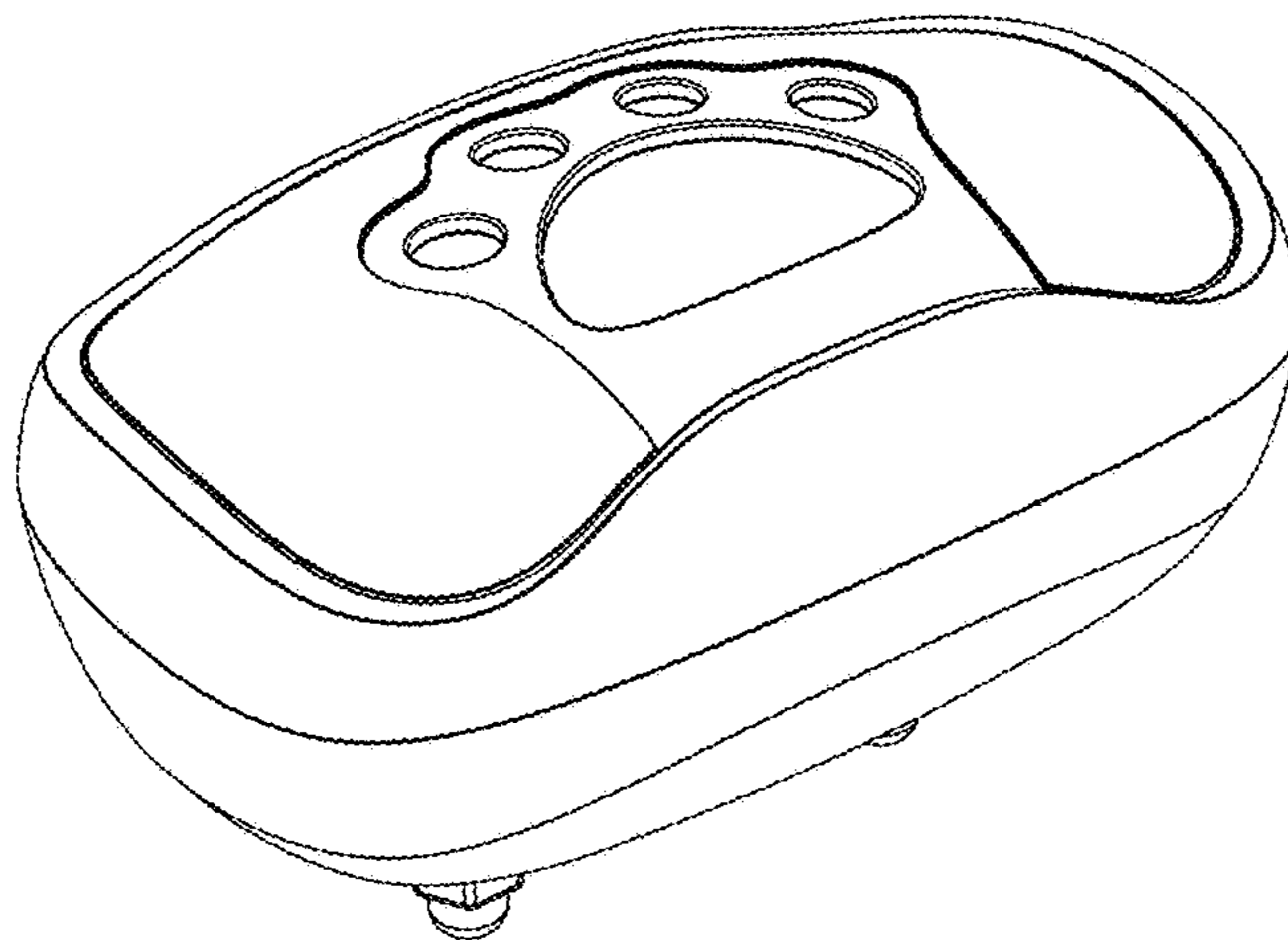


FIG. 7

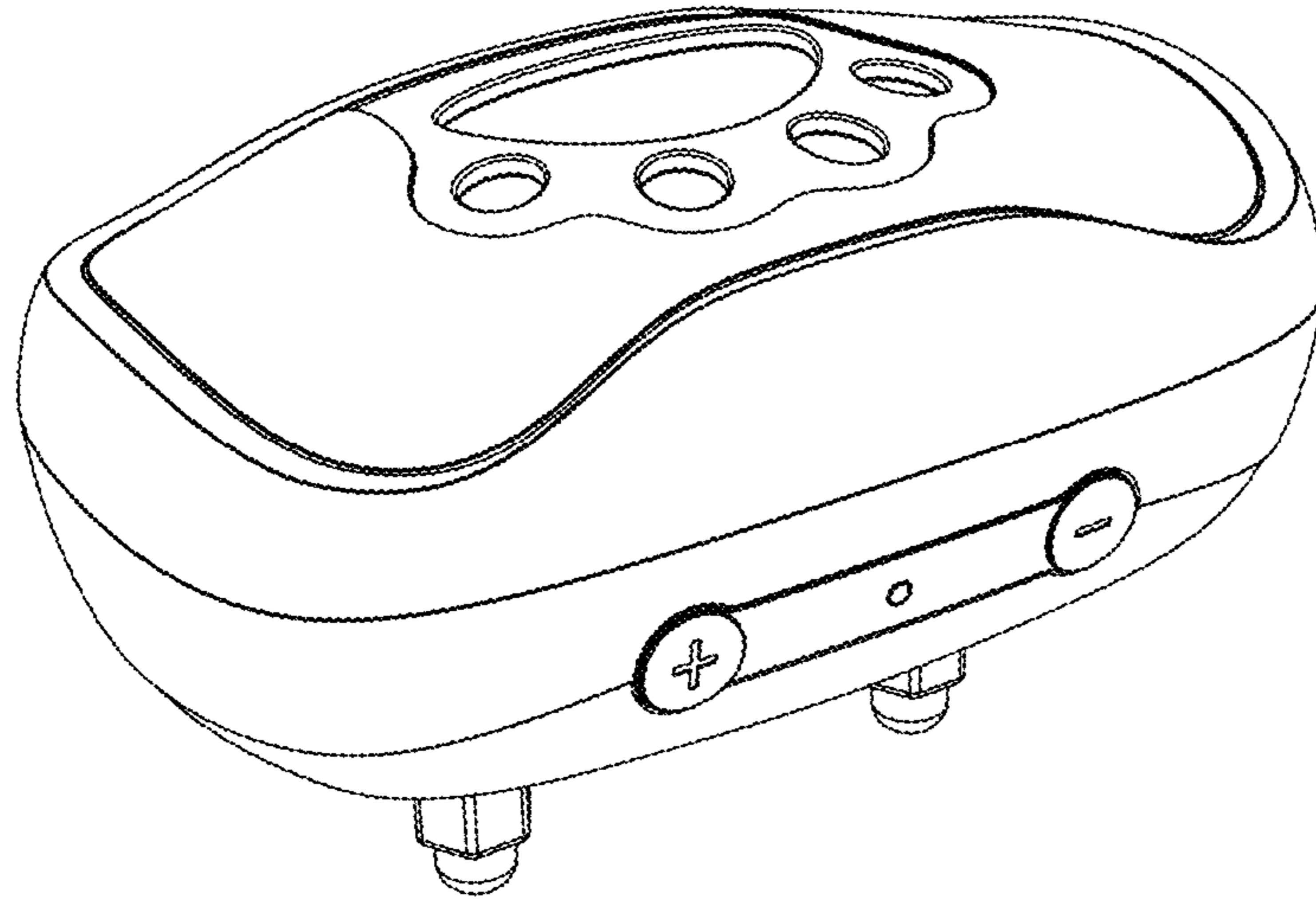


FIG. 8

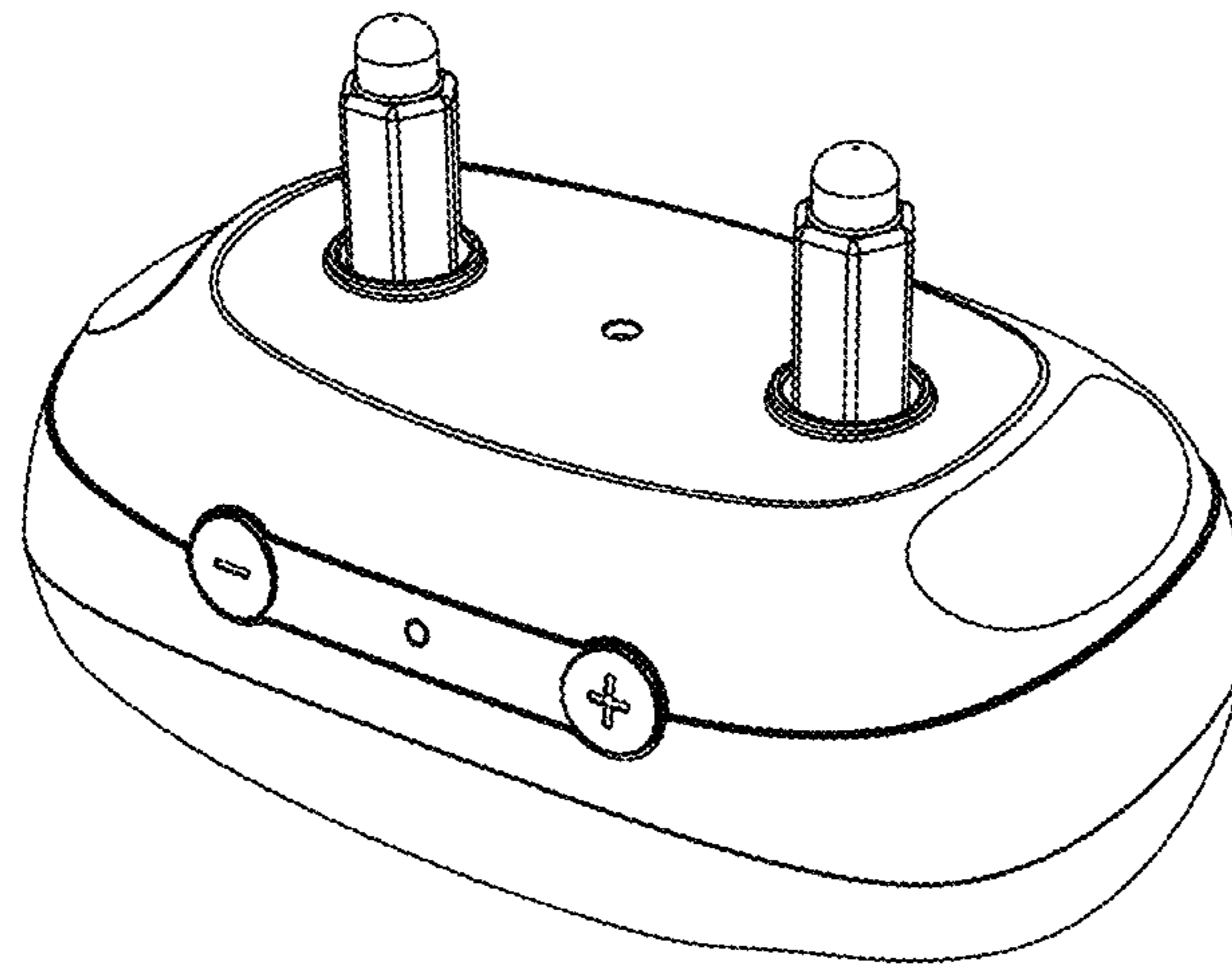


FIG. 9