



US00D822921S

(12) **United States Design Patent**
Wen

(10) **Patent No.:** **US D822,921 S**
(45) **Date of Patent:** **** Jul. 10, 2018**

(54) **BARK CONTROL**

(71) Applicant: **Jian Wen**, Shanghai (CN)

(72) Inventor: **Jian Wen**, Shanghai (CN)

(**) Term: **15 Years**

(21) Appl. No.: **29/604,314**

(22) Filed: **May 17, 2017**

(51) **LOC (11) Cl.** **30-99**

(52) **U.S. Cl.**
USPC **D30/199**

(58) **Field of Classification Search**
USPC D30/199, 152, 144, 151, 155;
D10/104.1, 104.2, 106.1, 106.3, 106.2;
119/856, 859, 720, 721, 719, 718, 712,
119/653, 654, 760-765, 792, 793, 822,
119/855, 858, 860-863, 772, 776, 795;
340/573.3, 573.1, 384.2, 825.76, 538.16,
340/539.1, 539.11, 539.14, 539.15,
340/539.16, 539.17, 539.18, 539.19,
340/572.7, 572.8, 572.9, 573.2, 573.4;
D13/103, 168, 162-164; 42/90;
D14/137, 496, 218, 159, 217, 188, 225,
D14/205, 155, 174, 388, 511; D21/566,
D21/333, 516; 715/738; 434/350;
600/323; 348/211.99, 14.05, 114, 734;
341/175-176; 455/575.1; 343/788, 718,
343/728, 895
CPC A01K 15/021; A01K 15/02; A01K 15/022;
A01K 15/023; A01K 15/029; A01K
15/04; A01K 15/00; A01K 15/006; A01K
12/022; A01K 27/009; A01K 27/00;
A01K 27/001; A01K 27/006-27/008;
A01K 29/005; A01K 29/00; H05K 5/03;
H04B 10/00; H01H 9/02; G09G 5/00;
G09D 1/10; G08C 23/04; G08C 19/12;

G08C 19/00; H04N 5/44; H04N 5/445;
H04N 7/00; H04L 17/02; G05B 11/01;
G06F 3/02; H01Q 1/273; H01Q 1/362;
H01Q 11/08; H01Q 7/08

See application file for complete search history.

(56) **References Cited**

U.S. PATENT DOCUMENTS

D410,206	S	*	5/1999	Slater	D10/104.1
D522,187	S	*	5/2006	Nottingham	D30/152
D523,998	S	*	6/2006	Nottingham	D10/104.1
D632,853	S	*	2/2011	Hardi	D30/144
D798,003	S	*	9/2017	Dong	D30/199
2013/0233252	A1	*	9/2013	Bellon	A01K 15/021 119/720
2015/0040839	A1	*	2/2015	Goetzl	A01K 15/023 119/720
2016/0100552	A1	*	4/2016	So	A01K 15/021 119/719

* cited by examiner

Primary Examiner — Susan Moon Lee

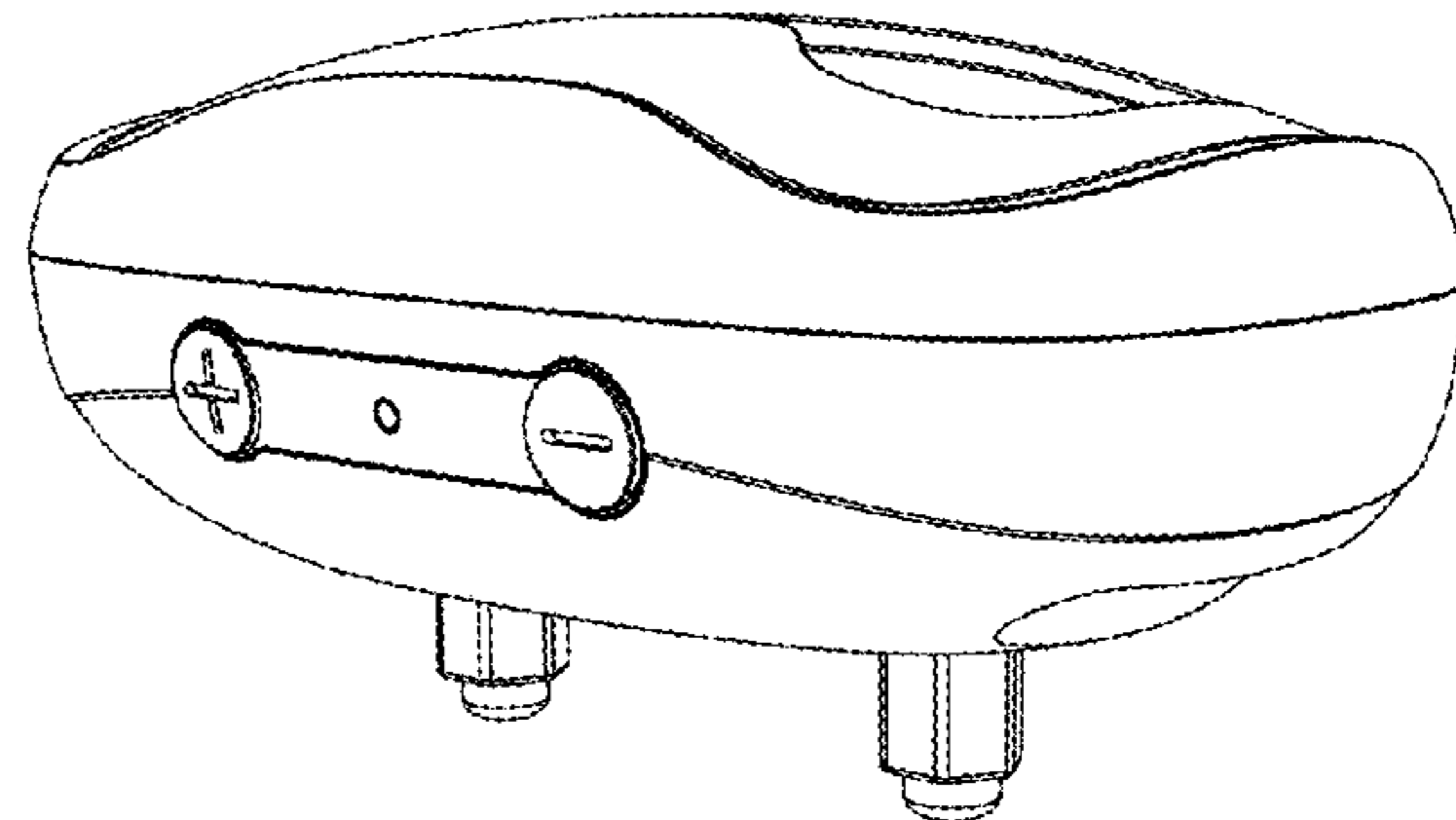
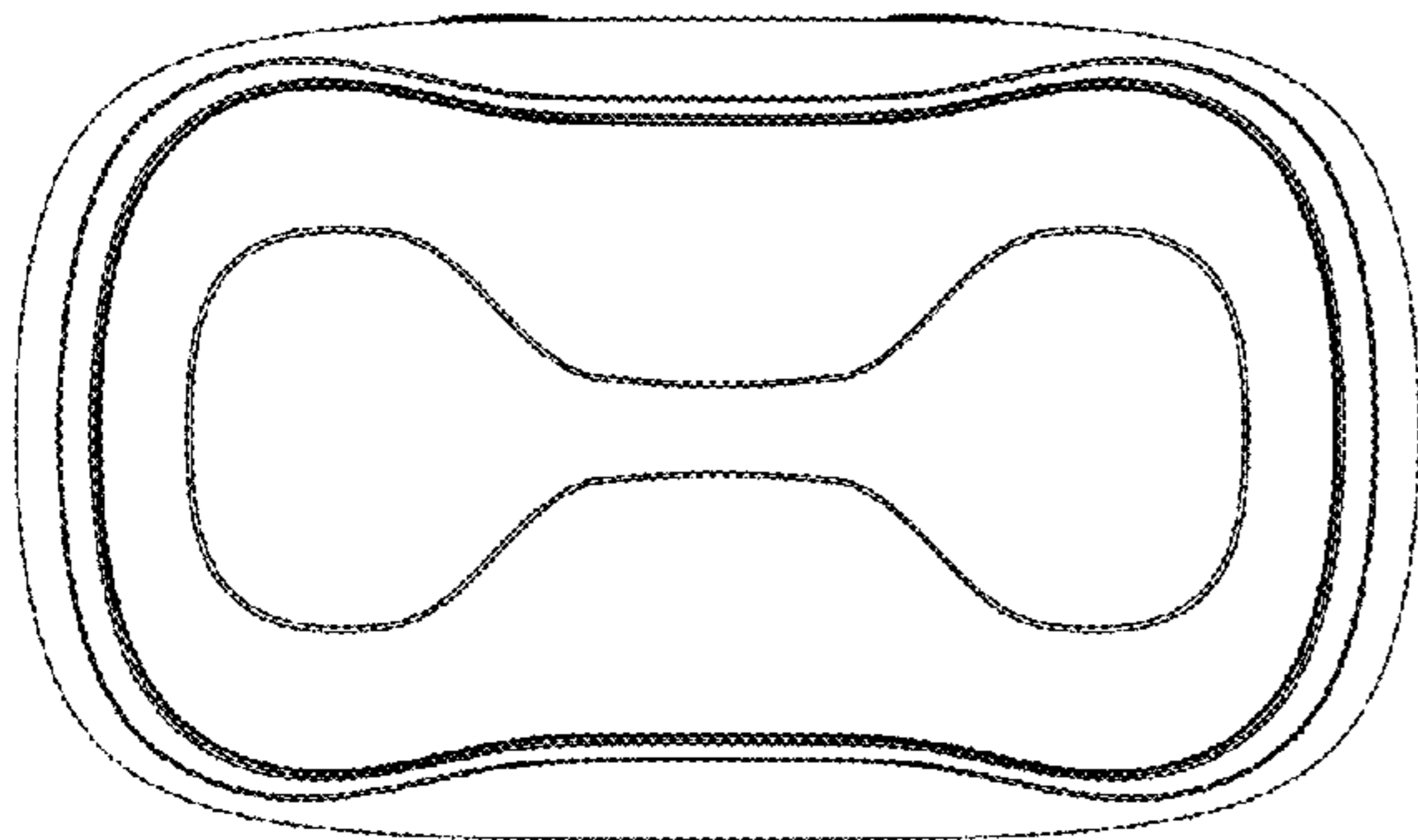
(57) **CLAIM**

The ornamental design for a bark control, as shown.

DESCRIPTION

FIG. 1 is a front elevational view of a bark control showing my new design;
FIG. 2 is a rear elevational view thereof;
FIG. 3 is a left side view thereof;
FIG. 4 is a right side view thereof;
FIG. 5 is a top plan view thereof;
FIG. 6 is a bottom plan view thereof;
FIG. 7 is a perspective view thereof;
FIG. 8 is a second perspective view thereof; and,
FIG. 9 is a third perspective view thereof.

1 Claim, 3 Drawing Sheets



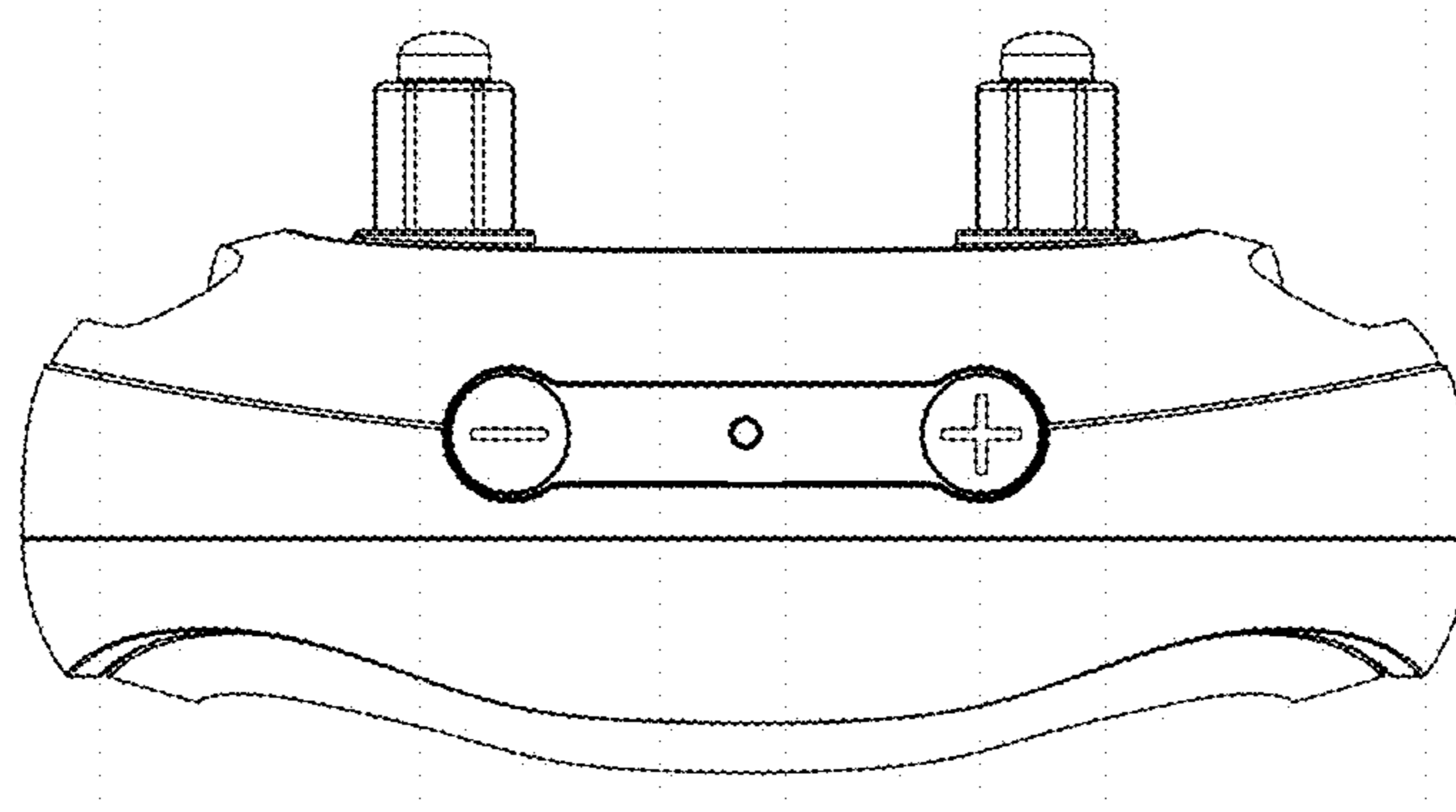


FIG. 1

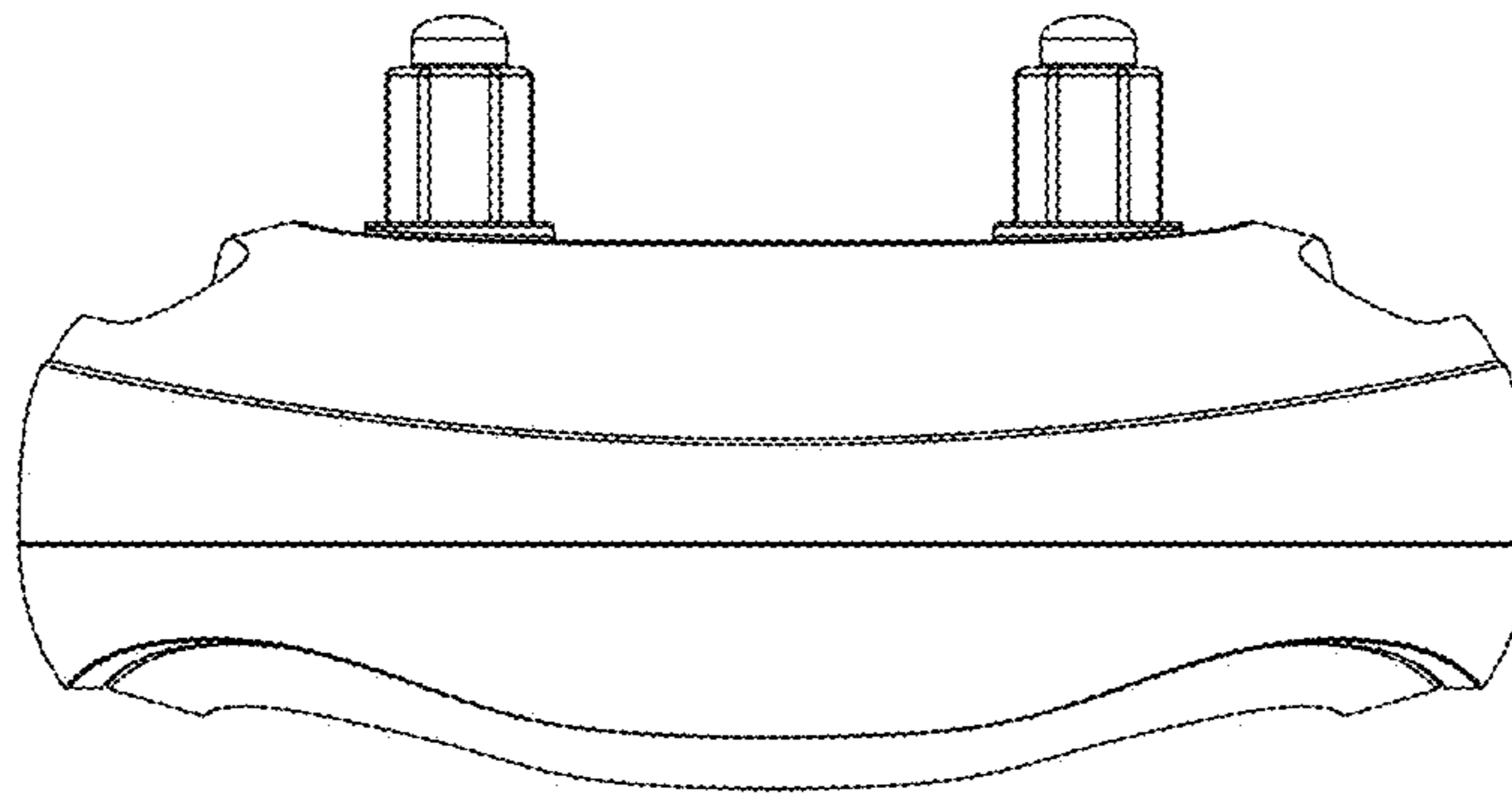


FIG. 2

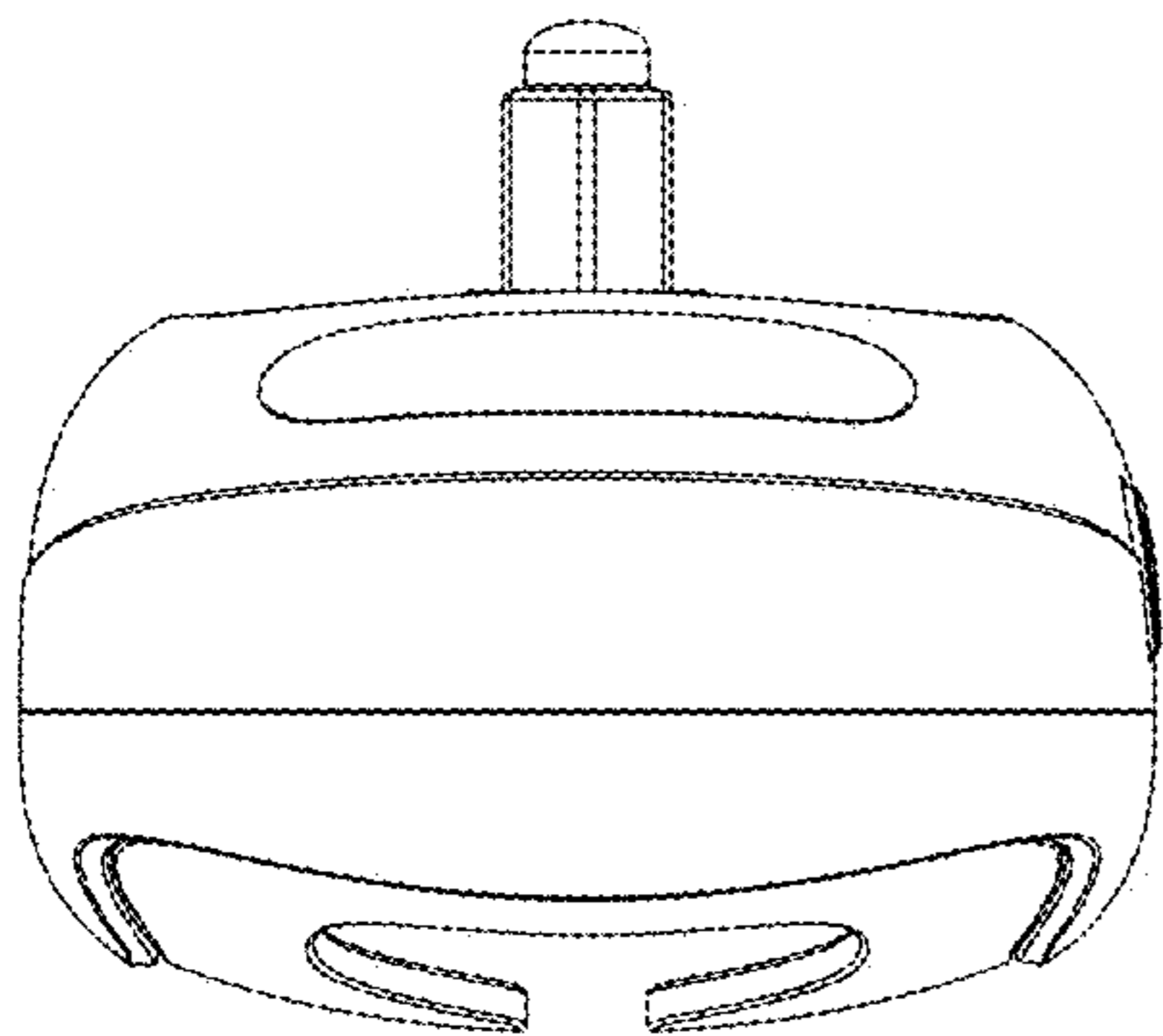


FIG. 3

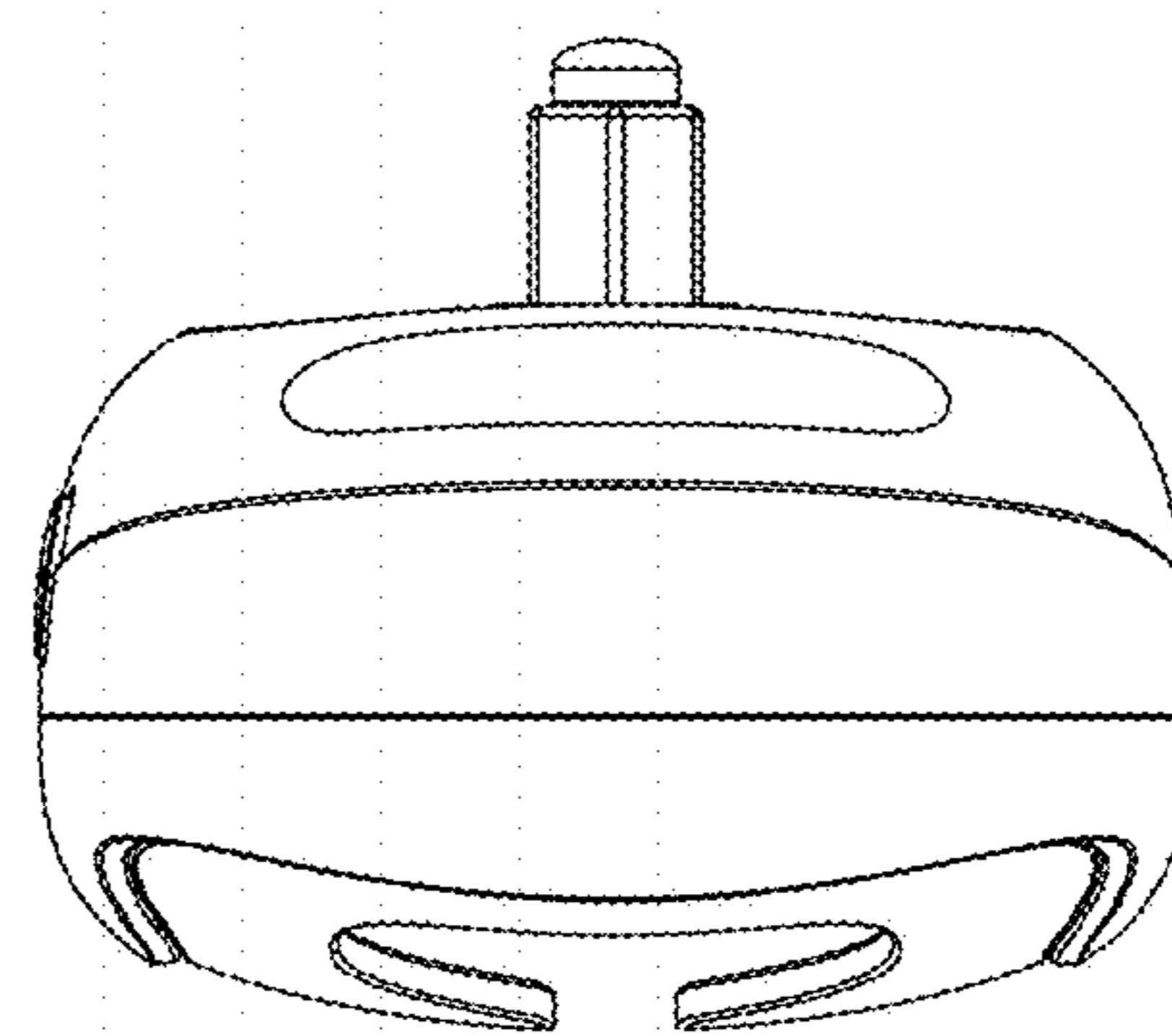


FIG. 4

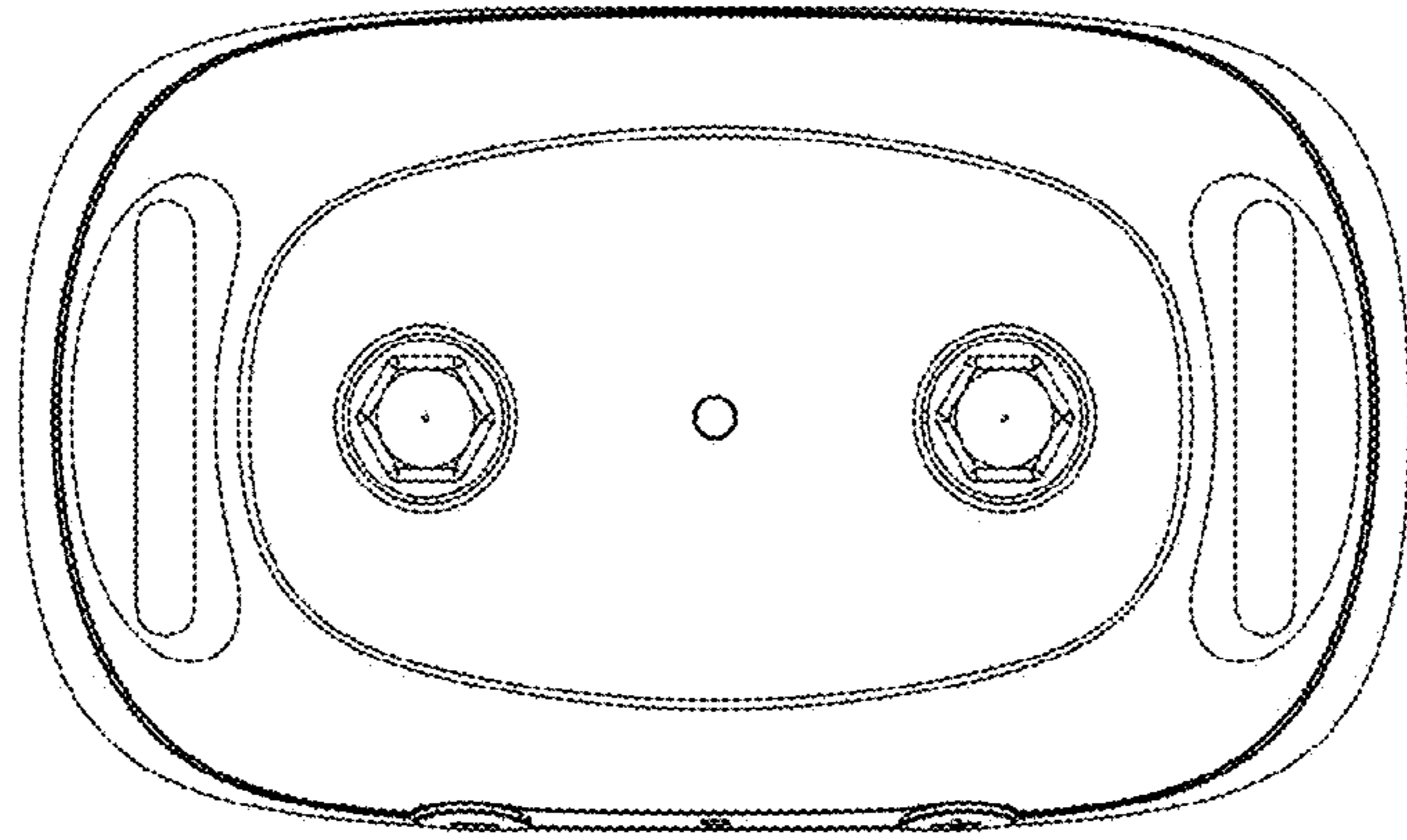


FIG. 5

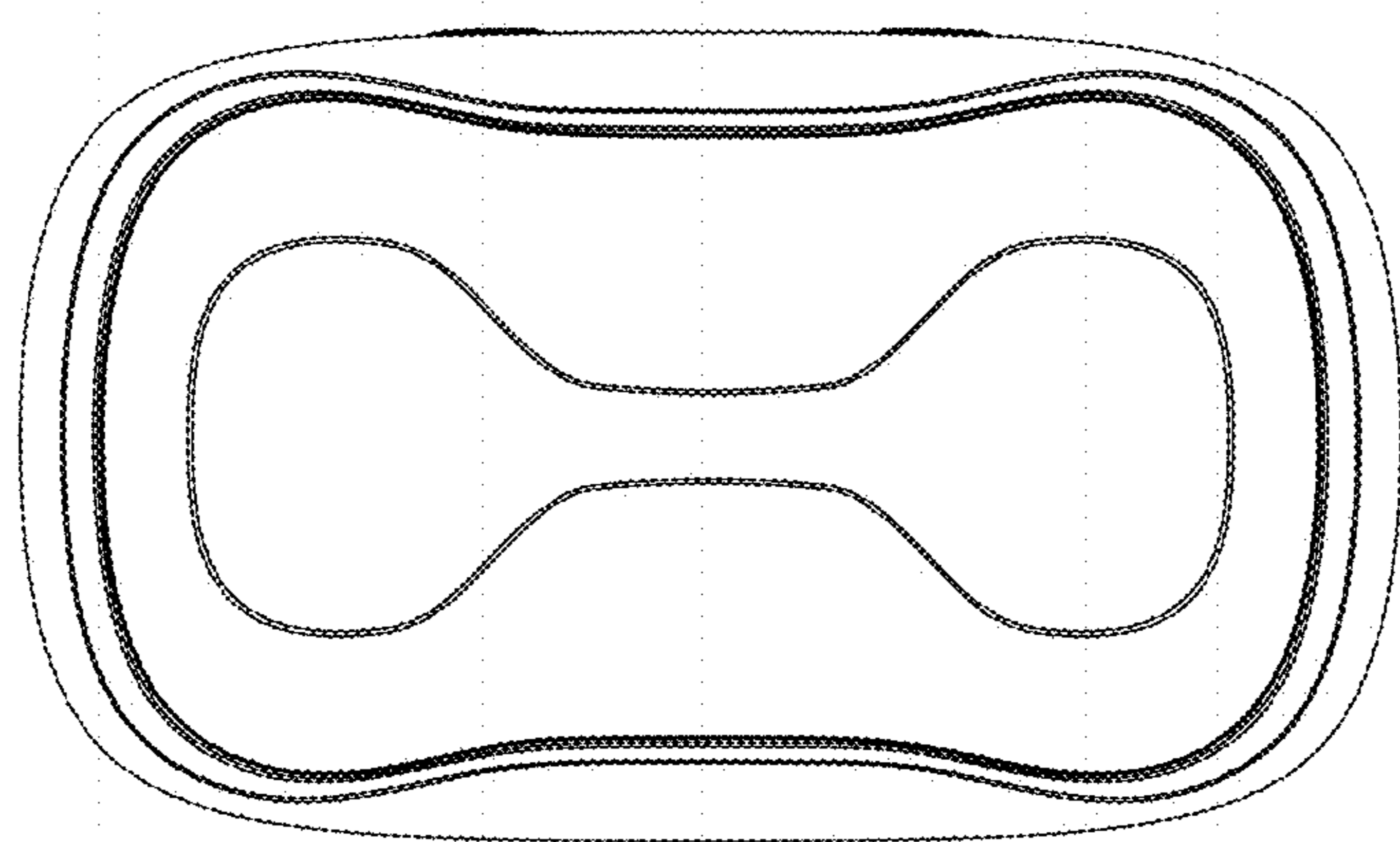


FIG. 6

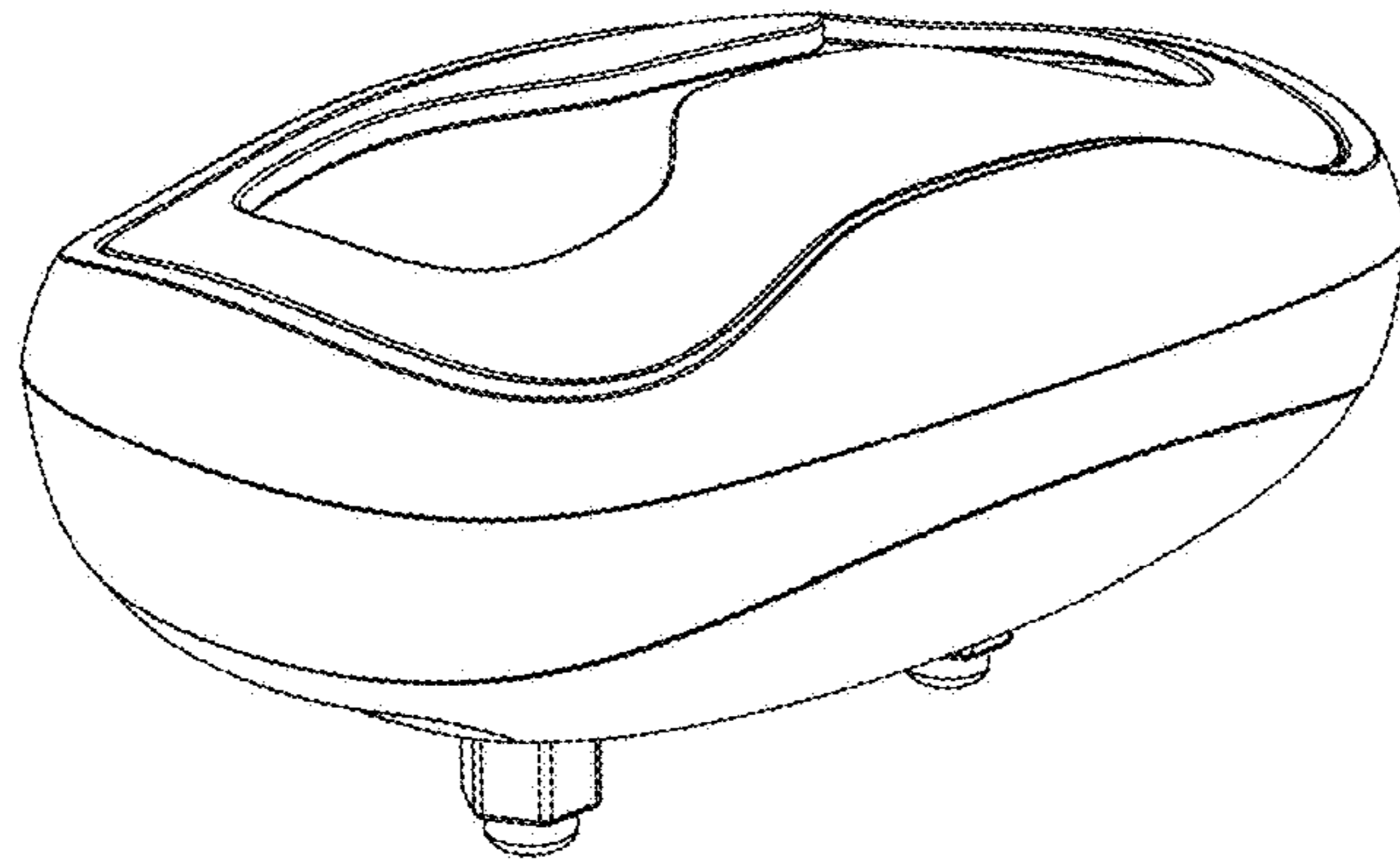


FIG. 7

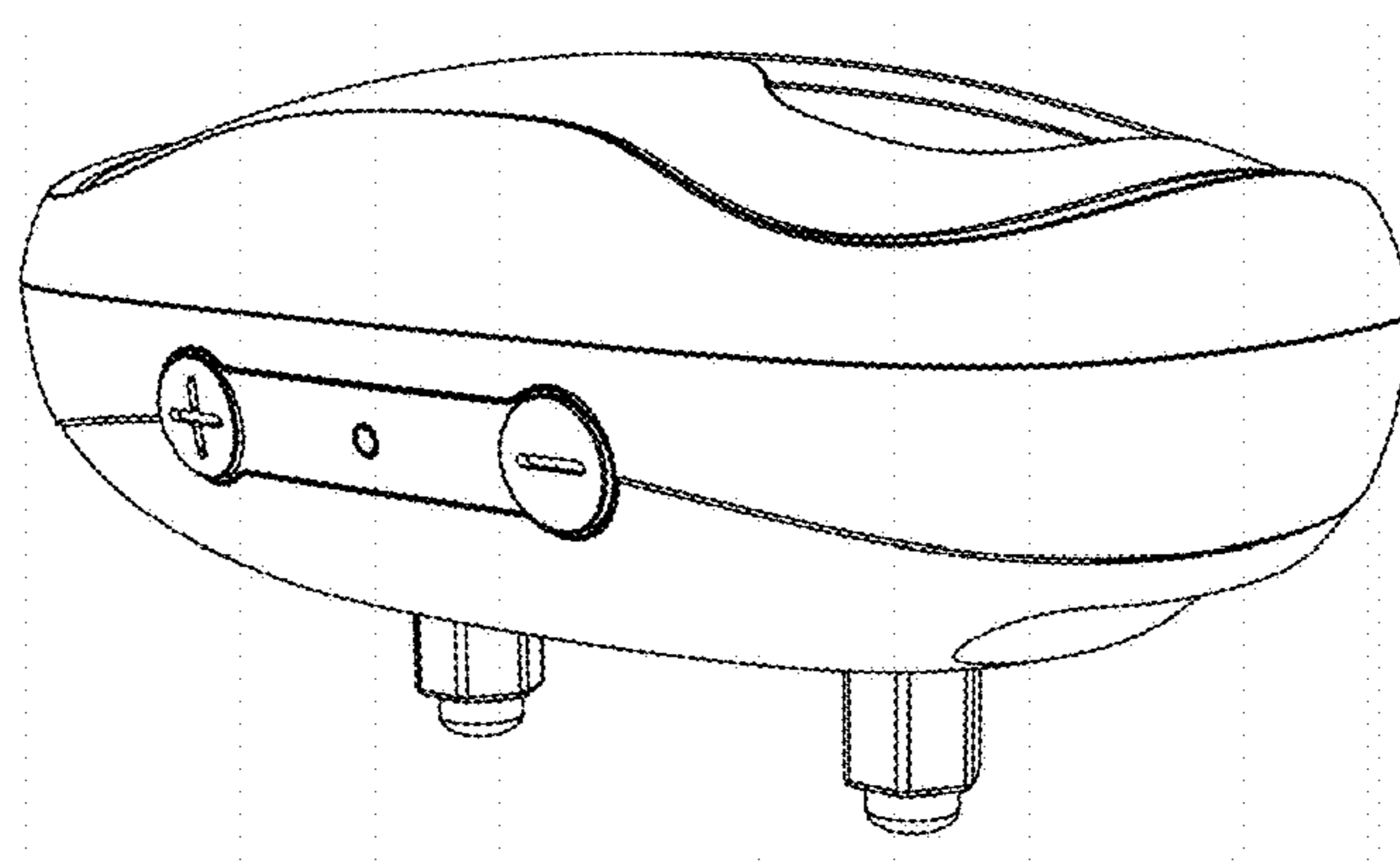


FIG. 8

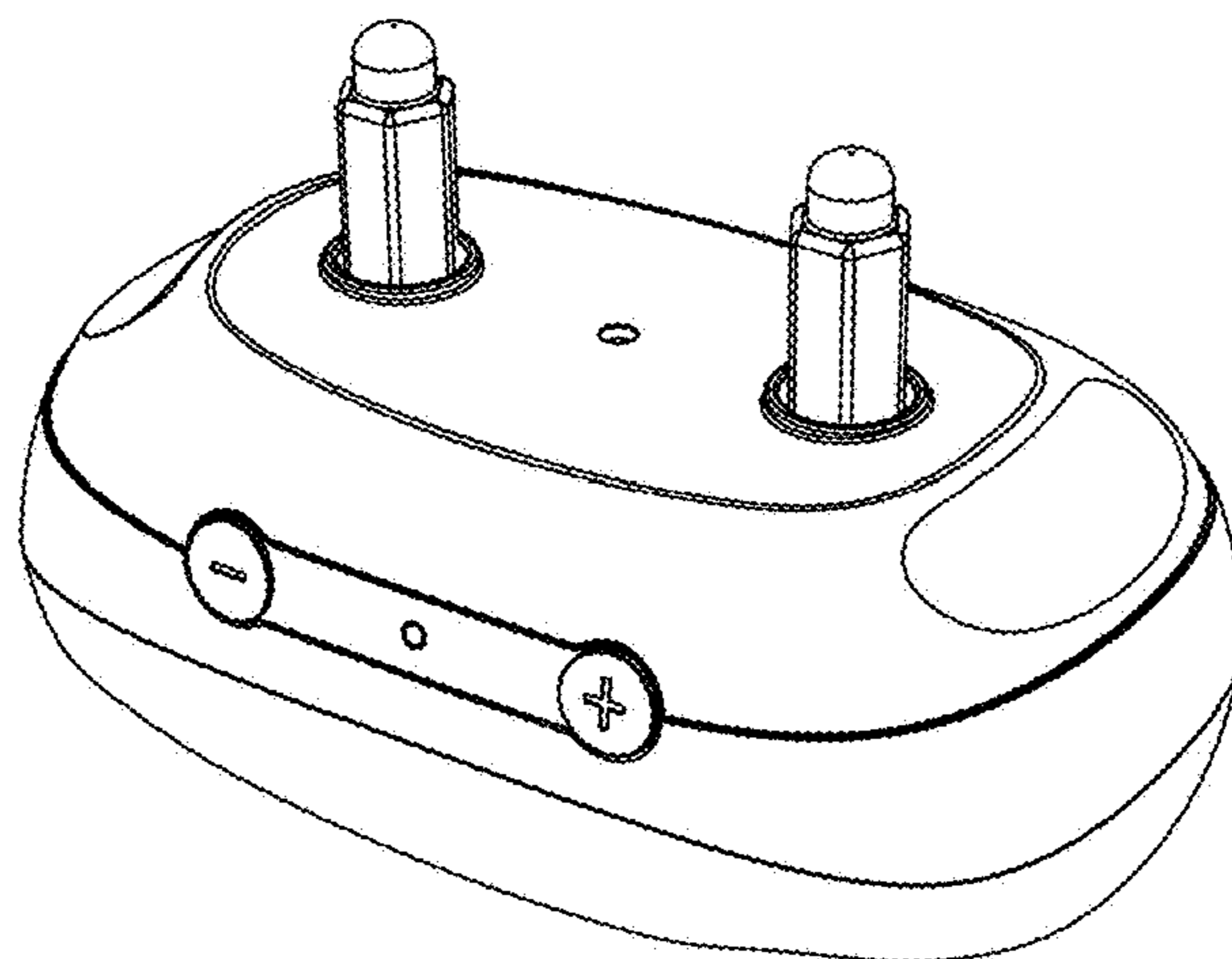


FIG. 9