



US00D822919S

(12) **United States Design Patent** (10) **Patent No.:** **US D822,919 S**  
**Woods et al.** (45) **Date of Patent:** **\*\* Jul. 10, 2018**

(54) **PET TOY**  
(71) Applicant: **HYPER PET LLC**, Wichita, KS (US)  
(72) Inventors: **Randall J. Woods**, Goddard, KS (US);  
**Sarah S. Bell**, Wichita, KS (US); **Sonia S. Cox**, Andover, KS (US)  
(73) Assignee: **Hyper Pet LLC**, Wichita, KS (US)  
(\*\*) Term: **15 Years**  
(21) Appl. No.: **29/551,874**  
(22) Filed: **Jan. 18, 2016**  
(51) **LOC (11) Cl.** ..... **30-99**  
(52) **U.S. Cl.**  
USPC ..... **D30/160**  
(58) **Field of Classification Search**  
USPC ..... D21/398, 400, 402, 412, 415, 426, 436,  
D21/439, 440, 441, 443, 455, 460, 461,  
D21/462, 466, 467, 468, 479, 495, 563,  
D21/656, 712, 713, 788, 799.1, 470, 681;  
D30/160; D24/211, 214, 215  
CPC ..... A01K 15/024; A01K 15/25; A01K 15/26;  
A01K 15/27; A63B 69/00; A63B 69/34;  
A63B 69/004; A63B 2208/12; A63H  
3/06; A63F 7/0652; A63F 7/0668  
See application file for complete search history.

D420,403 S \* 2/2000 Bart ..... D21/398  
D497,457 S \* 10/2004 Willinger ..... A01K 15/026  
D24/211  
D537,575 S \* 2/2007 Jager ..... D30/160  
D546,405 S \* 7/2007 Miller ..... D21/713  
D614,245 S \* 4/2010 Ujita ..... D21/460  
D615,134 S \* 5/2010 Nishimoto ..... D21/460  
D615,602 S \* 5/2010 Nishimoto ..... D21/460  
D626,706 S \* 11/2010 Ragonetti ..... D30/160  
D629,847 S \* 12/2010 Ujita ..... D21/460  
D650,537 S \* 12/2011 Oblack ..... D21/713  
D724,161 S \* 3/2015 Kuhne ..... D21/662  
D724,751 S \* 3/2015 Huang ..... D24/214  
D742,601 S \* 11/2015 Holterhaus ..... D30/121  
(Continued)

**OTHER PUBLICATIONS**

Pet Supplies \_ Hyper Pet Hyper Tennis Chewz Barbell, Green \_  
Amazon, [online], [site visited May 20, 2017]. Available from  
internet, <URL:https://www.amazon.com/Hyper-Pet-Tennis-  
Chewz-Barbell/dp/B01KVN74>.\*  
(Continued)

*Primary Examiner* — Caron D Veynar  
*Assistant Examiner* — Katrina N Gonzalez  
(74) *Attorney, Agent, or Firm* — Hovey Williams LLP

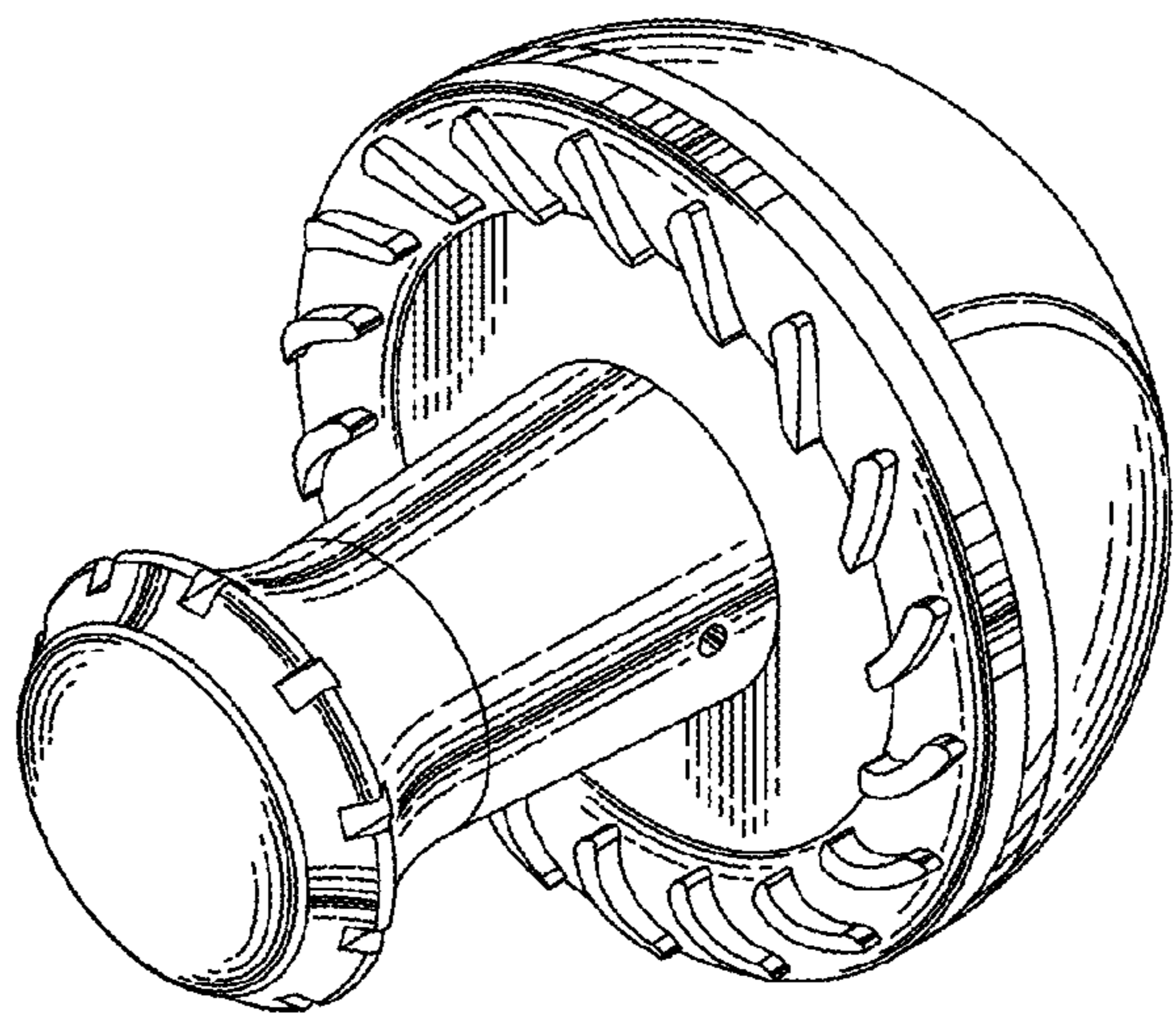
(57) **CLAIM**  
The ornamental design for a pet toy, as shown and described.

**DESCRIPTION**

FIG. 1 is a perspective view of one embodiment of the pet toy of the present invention;  
FIG. 2 is another perspective view of the pet toy;  
FIG. 3 is a side elevational view of the pet toy;  
FIG. 4 is another side elevational view of the pet toy;  
FIG. 5 is a top view of the pet toy;  
FIG. 6 is a rear end view of the pet toy; and,  
FIG. 7 is a front end view of the pet toy.

**1 Claim, 2 Drawing Sheets**

(56) **References Cited**  
**U.S. PATENT DOCUMENTS**  
D214,928 S \* 8/1969 Baldwin ..... 434/259  
D255,589 S \* 6/1980 Johnson ..... D21/461  
D285,462 S \* 9/1986 Fiihr ..... D21/461  
D349,512 S \* 8/1994 Law ..... 401/195  
D353,632 S \* 12/1994 Nonaka ..... D21/460  
D356,347 S \* 3/1995 Nonaka ..... D21/460  
D408,466 S \* 4/1999 Mintchenko ..... D21/436  
D408,948 S \* 4/1999 Huettner ..... D30/160  
D411,042 S \* 6/1999 Willinger ..... D30/160



(56)

**References Cited**

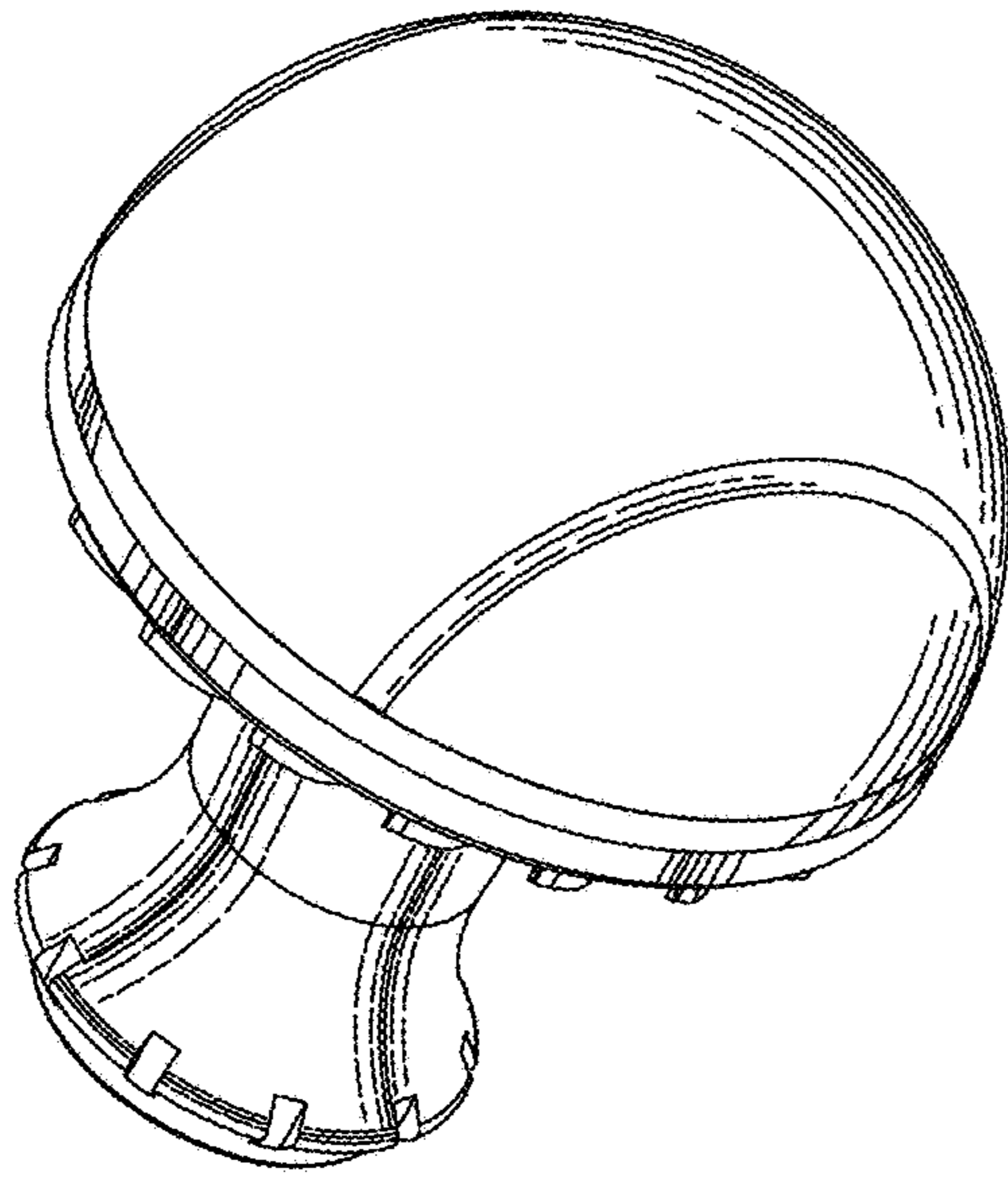
U.S. PATENT DOCUMENTS

D777,340 S \* 1/2017 Nelson ..... D24/211  
2007/0068464 A1\* 3/2007 Smith ..... A01K 15/025  
119/709

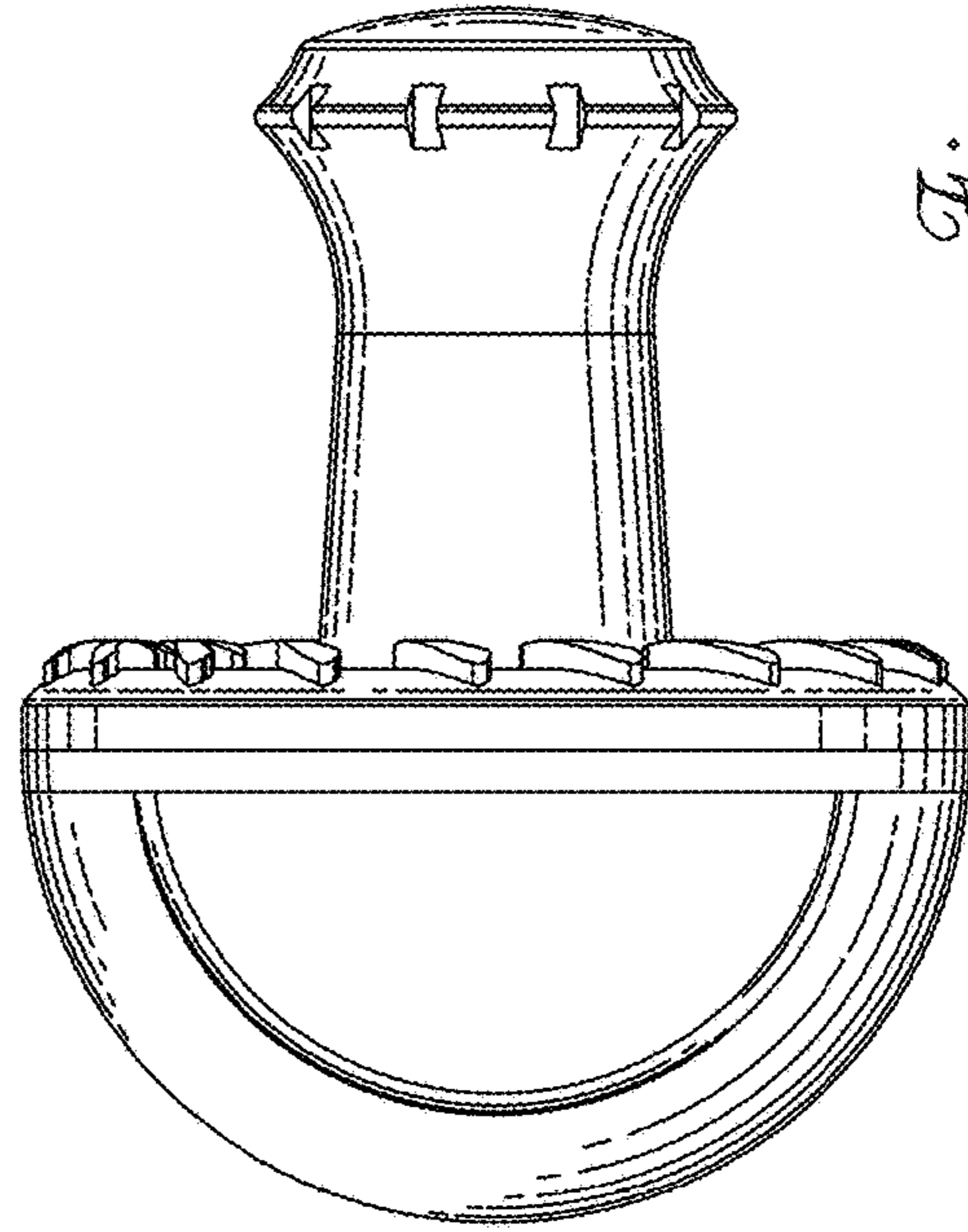
OTHER PUBLICATIONS

Hyper Pet Tennis Chewz Mushroom at Menards, [online], [site visited May 20, 2017]. Available from internet, <URL:[https://www.menards.com/main/grocery-pet/dog-supplies/dog-toys/hyper-pet-tennis-chewz-mushroom/p-1476858114889.htm?cm\\_vc=PDPZ1](https://www.menards.com/main/grocery-pet/dog-supplies/dog-toys/hyper-pet-tennis-chewz-mushroom/p-1476858114889.htm?cm_vc=PDPZ1)>.\*

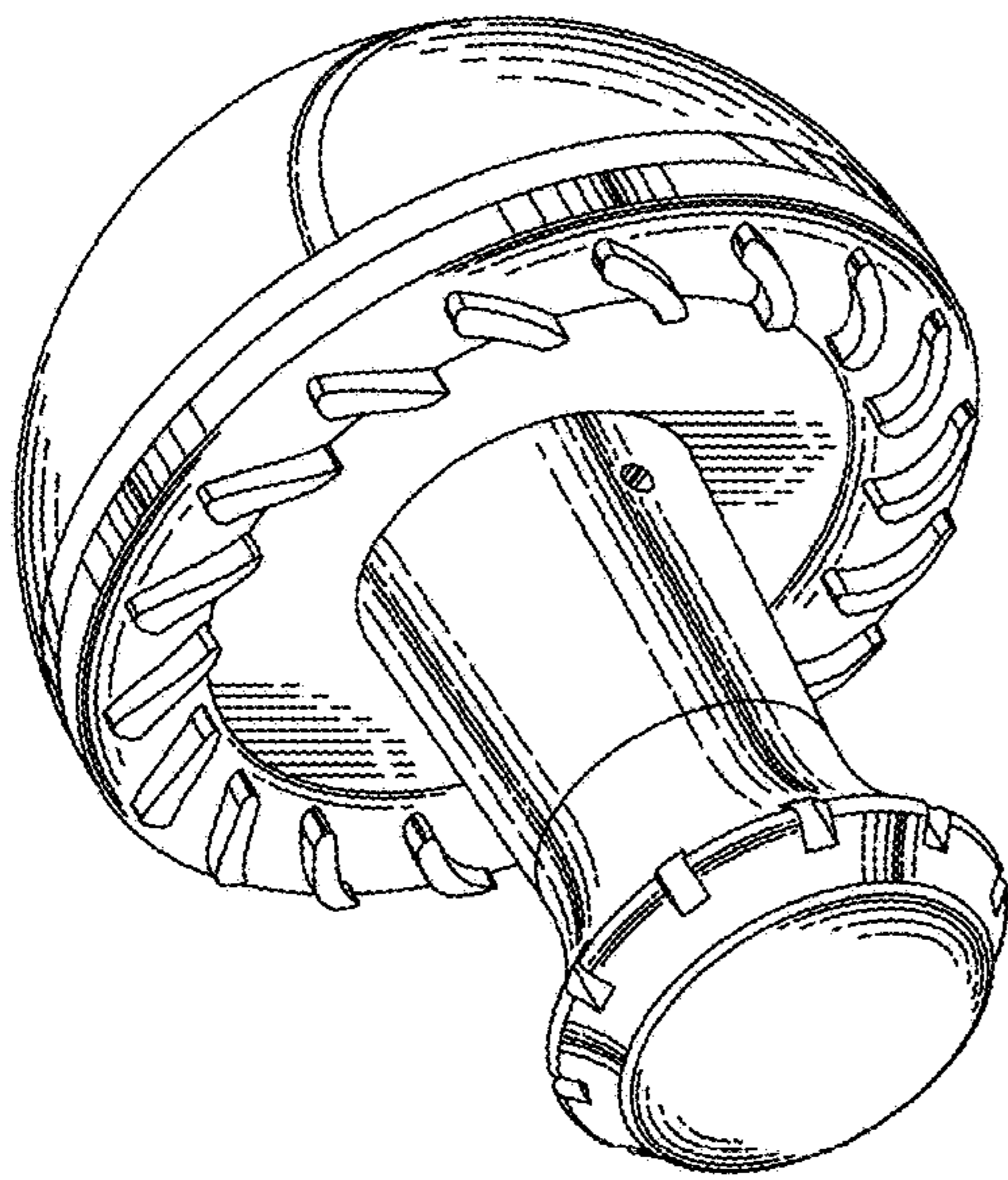
\* cited by examiner



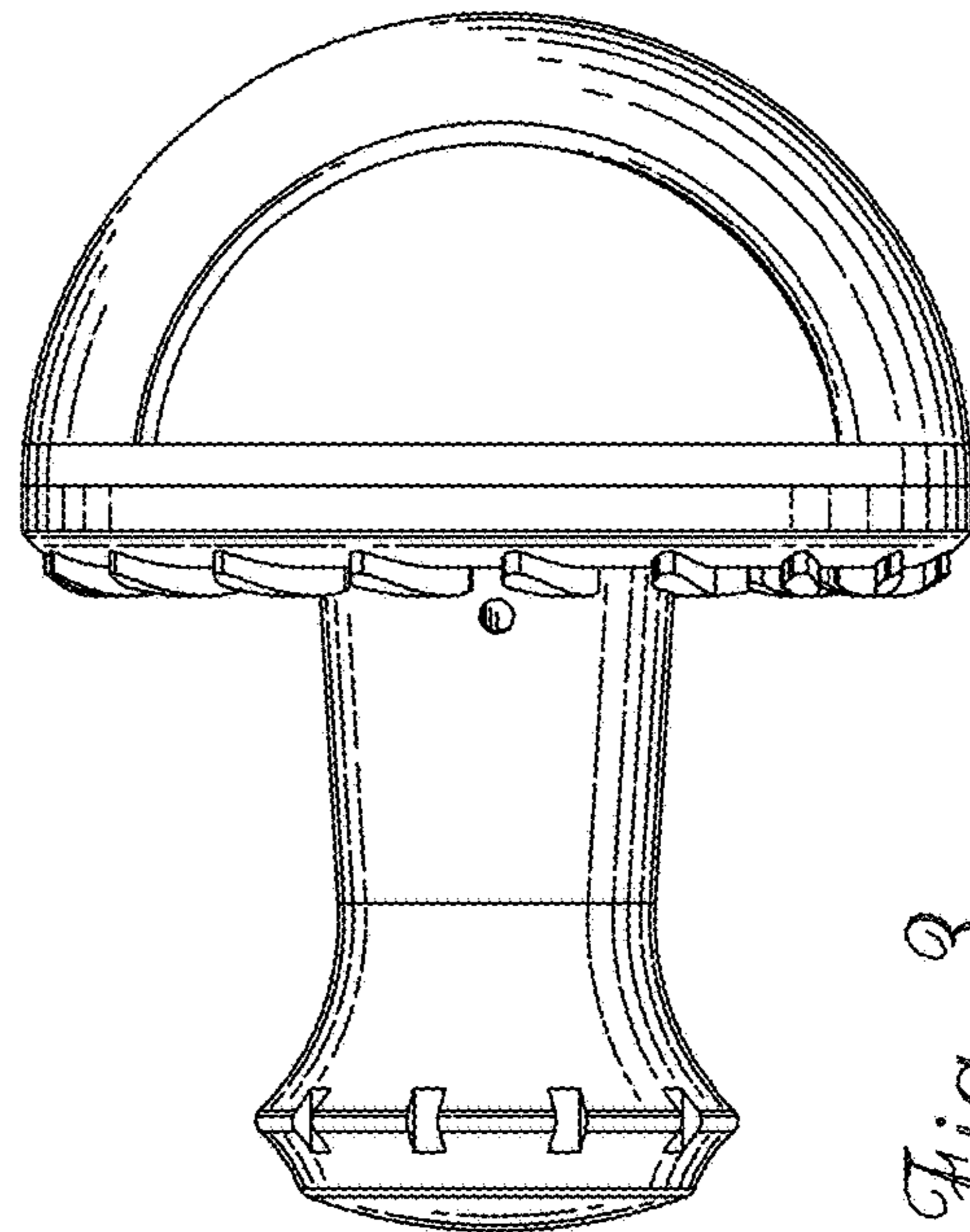
*Fig. 2.*



*Fig. 4.*

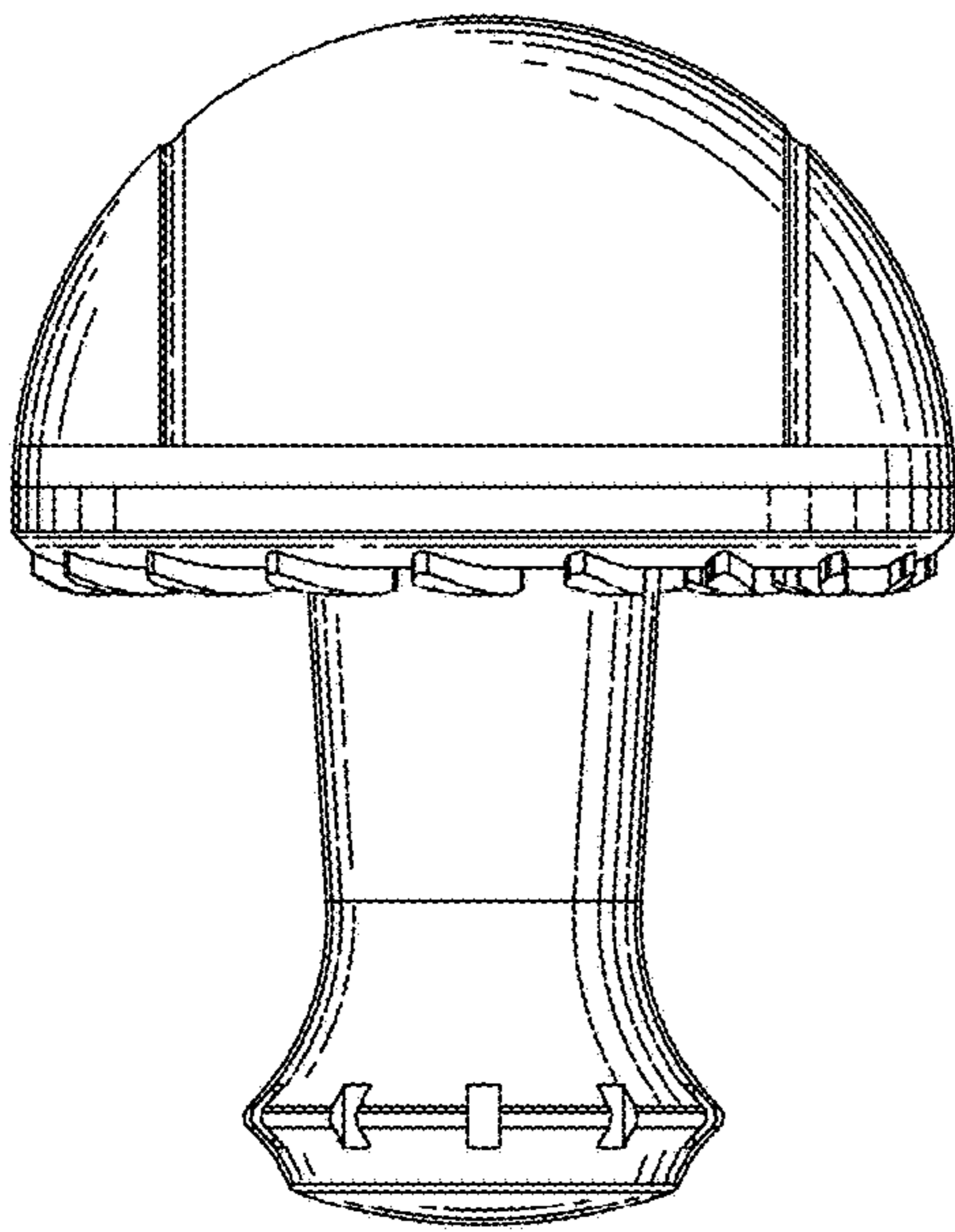


*Fig. 1.*

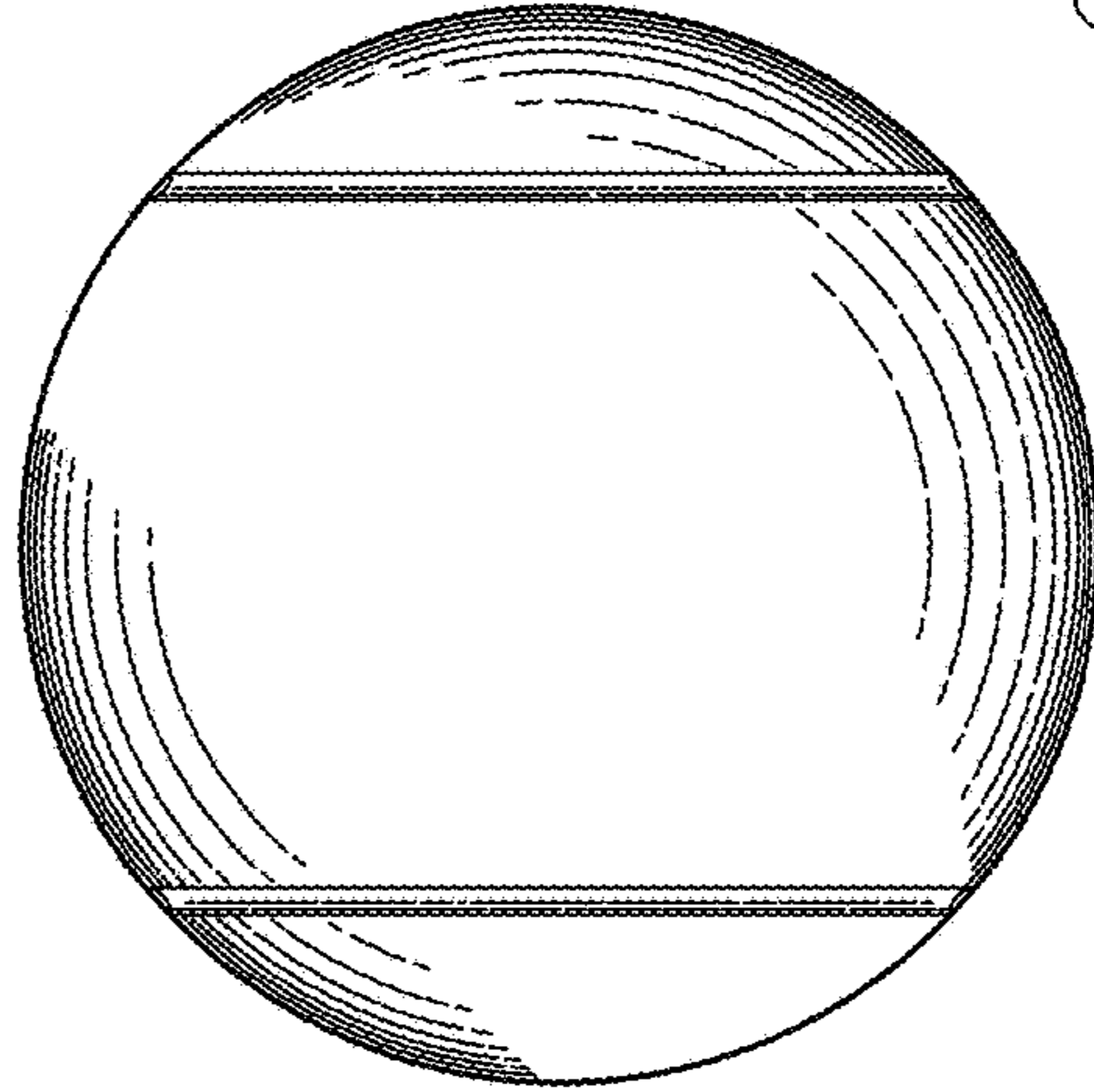


*Fig. 3.*

*Fig. 5.*



*Fig. 7.*



*Fig. 6.*

