



US00D822918S

(12) **United States Design Patent**  
**Woods et al.**

(10) **Patent No.:** **US D822,918 S**  
(45) **Date of Patent:** **\*\* Jul. 10, 2018**

(54) **PET TOY**  
(71) Applicant: **HYPER PET LLC**, Wichita, KS (US)  
(72) Inventors: **Randall J. Woods**, Goddard, KS (US);  
**Sarah S. Bell**, Wichita, KS (US); **Sonia S. Cox**, Andover, KS (US)  
(73) Assignee: **Hyper Pet LLC**, Wichita, KS (US)  
(\*\*) Term: **15 Years**  
(21) Appl. No.: **29/551,871**

D420,403 S \* 2/2000 Bart ..... D21/398  
D489,102 S \* 4/2004 Chen ..... D21/681  
D497,457 S \* 10/2004 Willinger ..... A01K 15/026  
D24/211  
D537,575 S \* 2/2007 Jager ..... D30/160  
D546,405 S \* 7/2007 Miller ..... D21/713  
D626,706 S \* 11/2010 Ragonetti ..... D30/160  
D628,661 S \* 12/2010 Januszek ..... D21/681  
D650,537 S \* 12/2011 Oblack ..... D21/713  
D724,161 S \* 3/2015 Kuhne ..... D21/662  
D724,751 S \* 3/2015 Huang ..... D24/214  
D763,370 S \* 8/2016 Tung ..... D21/681  
D777,340 S \* 1/2017 Nelson ..... D24/211  
2007/0068464 A1 \* 3/2007 Smith ..... A01K 15/025  
119/709

(22) Filed: **Jan. 18, 2016**  
(51) **LOC (11) Cl.** ..... **30-99**  
(52) **U.S. Cl.**  
USPC ..... **D30/160**  
(58) **Field of Classification Search**  
USPC ..... D21/398, 400, 402, 412, 415, 426, 436,  
D21/439, 440, 441, 443, 455, 460, 461,  
D21/462, 466, 467, 468, 479, 495, 563,  
D21/656, 712, 713, 788, 799.1, 470, 681;  
D30/160; D24/211, 214, 215  
CPC ..... A01K 15/024; A01K 15/25; A01K 15/26;  
A01K 15/27; A63B 69/00; A63B 69/34;  
A63B 69/004; A63B 2208/12; A63H  
3/06; A63F 7/0652  
See application file for complete search history.

**OTHER PUBLICATIONS**

Kong Duets Kibble Ball Dog Toy, [online], [site visited May 6, 2017], Available from Internet, <URL: <https://www.chewy.com/kong-duets-kibble-ball-dog-toy-large/dp/118879>>.\*  
Pet Supplies \_ Hyper Pet Hyper Tennis Chewz Barbell, Green \_ Amazon <https://www.amazon.com/Hyper-Pet-Tennis-Chewz-Barbell/dp/B01KVNmw74>.\*

\* cited by examiner

*Primary Examiner* — Caron D Veynar  
*Assistant Examiner* — Katrina N Gonzalez  
(74) *Attorney, Agent, or Firm* — Hovey Williams LLP

(56) **References Cited**

**U.S. PATENT DOCUMENTS**

D214,928 S \* 8/1969 Baldwin ..... 434/259  
4,008,526 A \* 2/1977 Swett ..... A63F 9/06  
434/259  
D285,462 S \* 9/1986 Fiihr ..... D21/461  
D408,466 S \* 4/1999 Mintchenko ..... D21/436  
D408,948 S \* 4/1999 Huettner ..... D30/160  
D411,042 S \* 6/1999 Willinger ..... D30/160  
D415,803 S \* 10/1999 Cousins ..... D21/678

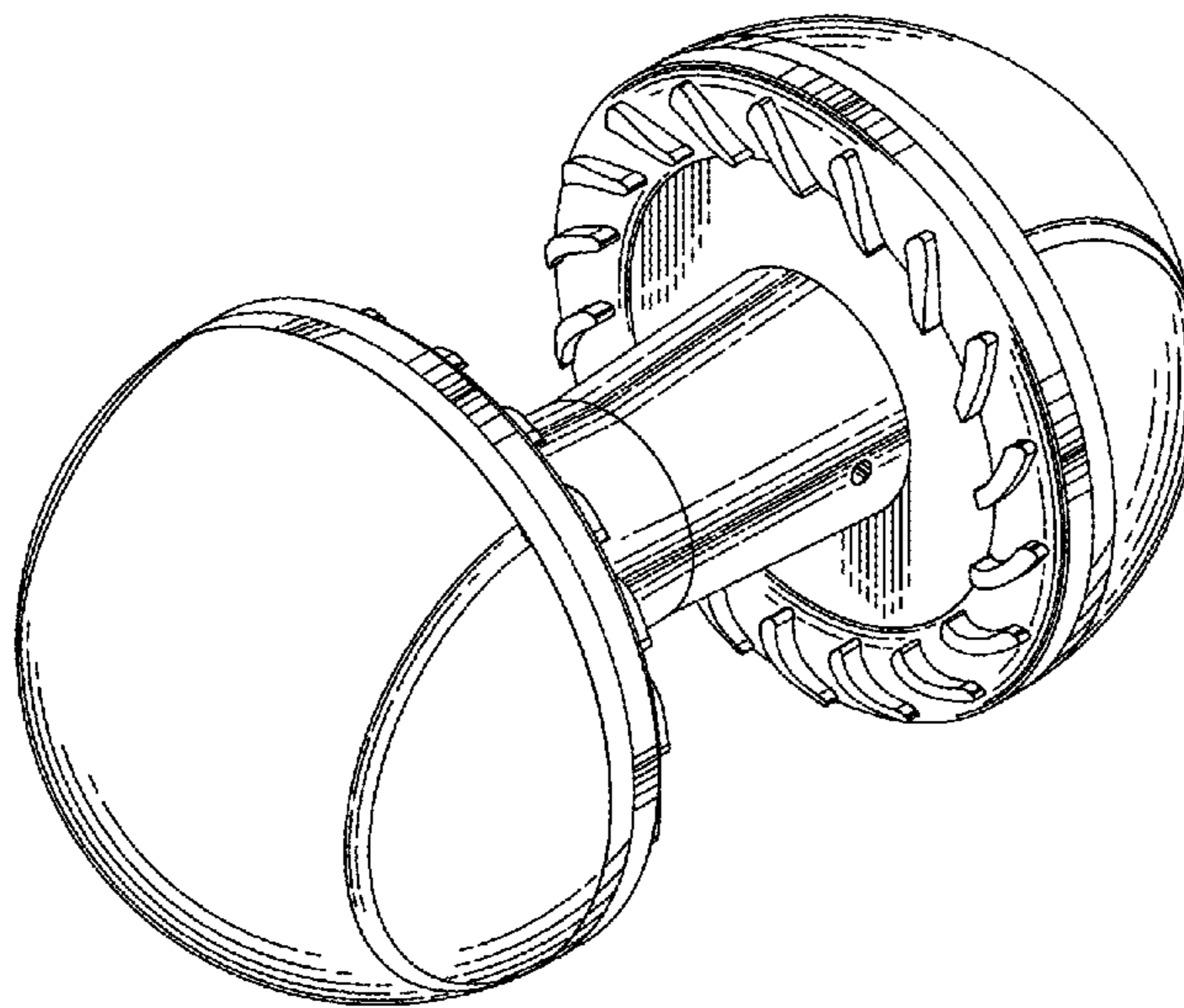
(57) **CLAIM**

The ornamental design for a pet toy, as shown and described.

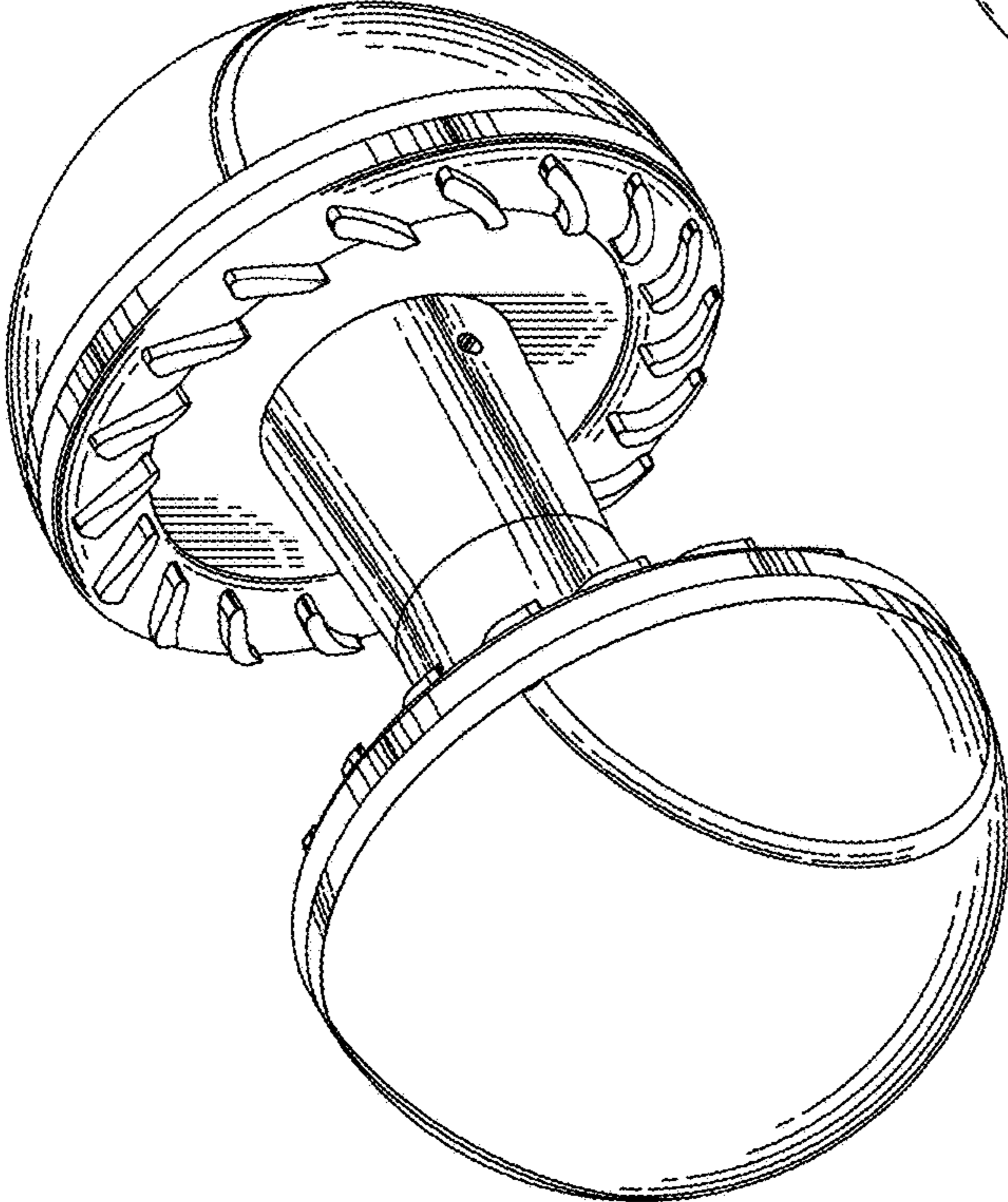
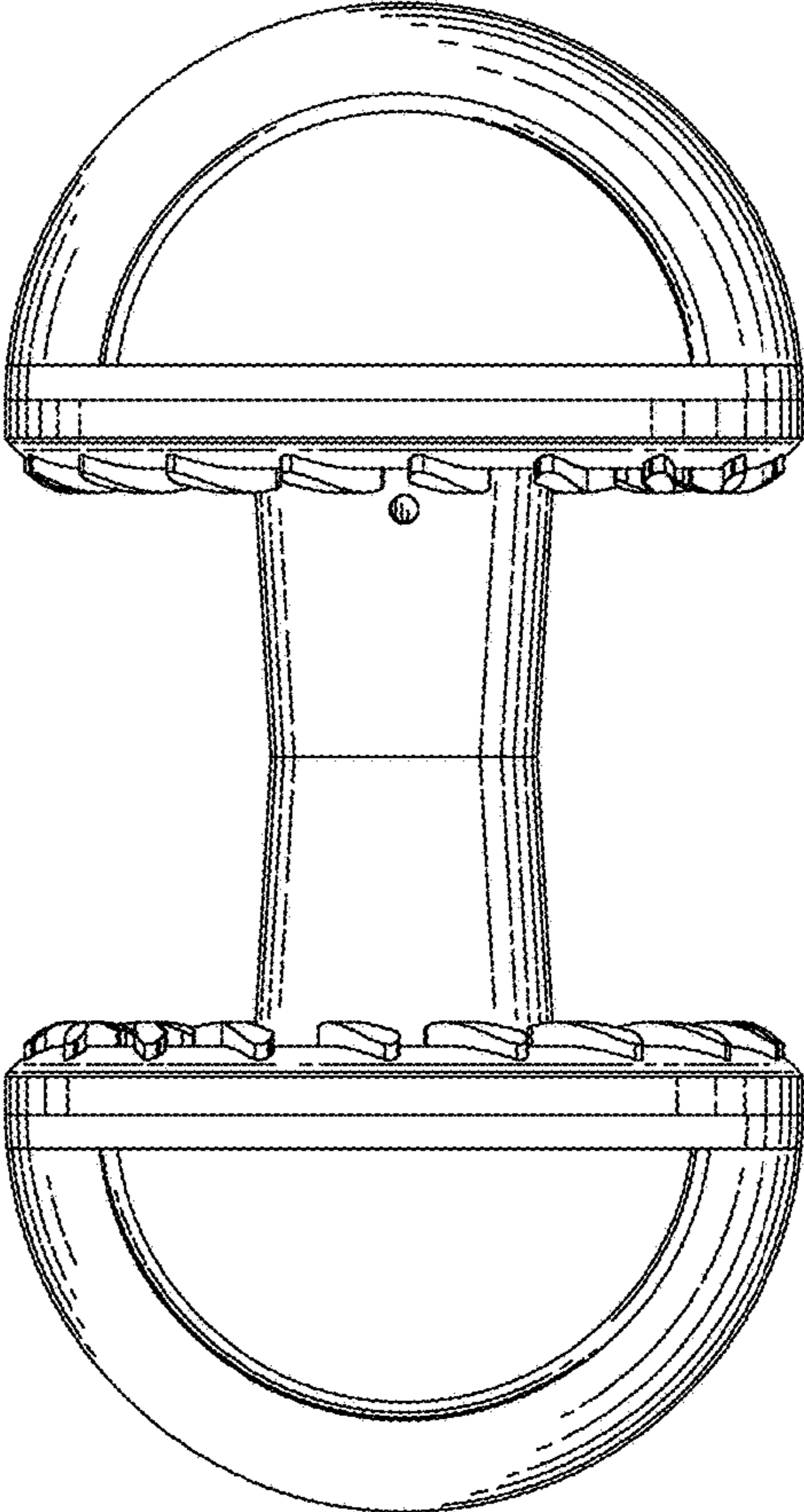
**DESCRIPTION**

FIG. 1 is a perspective view of one embodiment of the pet toy of the present invention;  
FIG. 2 is a side elevational view of the pet toy;  
FIG. 3 is a top view of the pet toy; and,  
FIG. 4 is a front end view of the pet toy.

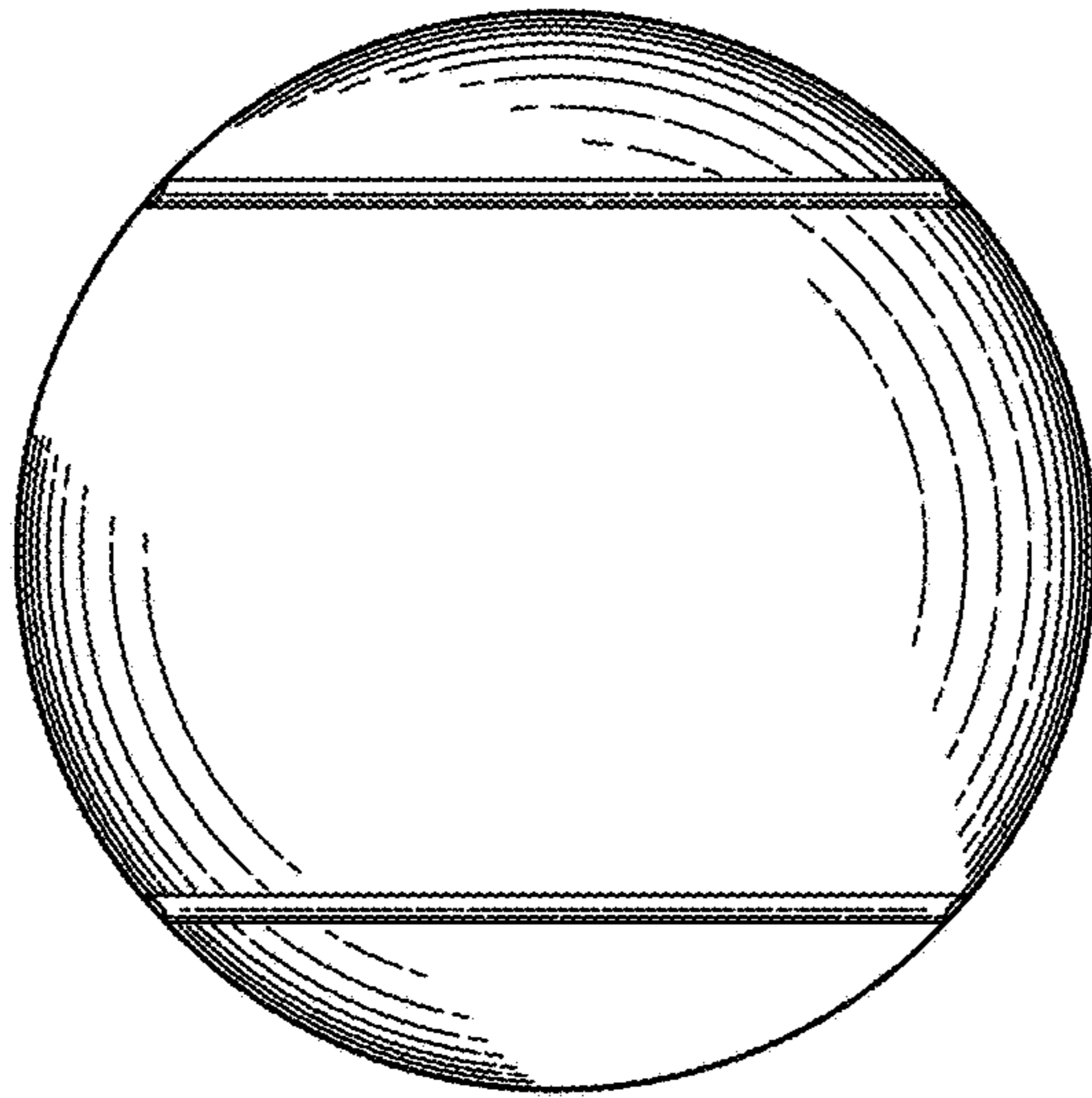
**1 Claim, 2 Drawing Sheets**



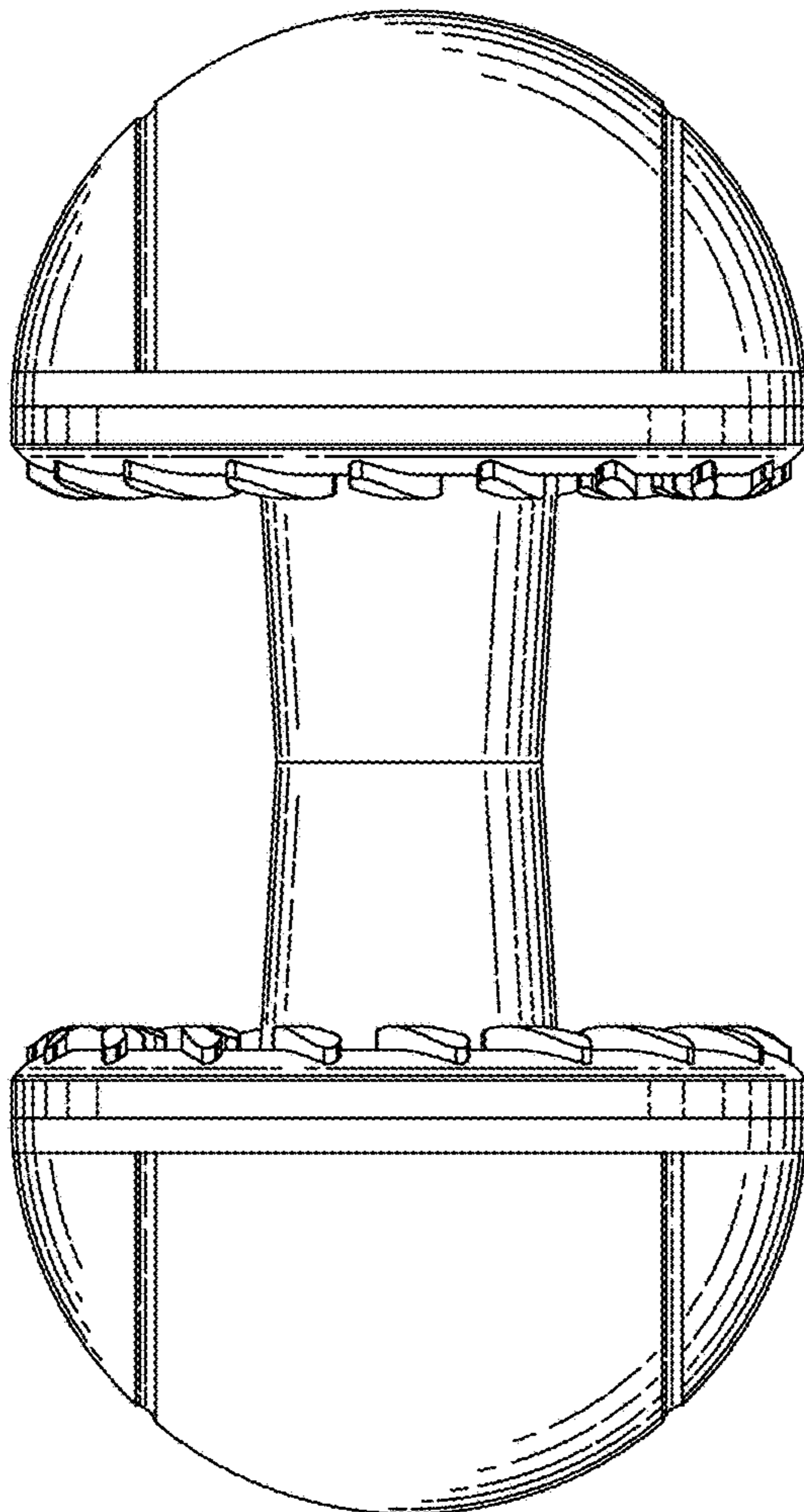
*Fig. 1.*



*Fig. 2.*



*Fig. 4.*



*Fig. 3.*