



US00D822915S

(12) **United States Design Patent**
McKee et al.

(10) **Patent No.:** **US D822,915 S**
(45) **Date of Patent:** **** Jul. 10, 2018**

(54) **WEARABLE PET MONITOR**

D748,997 S * 2/2016 Block D10/32
9,261,599 B1 2/2016 Golden et al.
D779,989 S * 2/2017 Lee D10/70
(Continued)

(71) Applicant: **SMART PET TECHNOLOGIES, LLC**, Stamford, CT (US)

(72) Inventors: **Joseph T. McKee**, Stamford, CT (US);
Michael A. Basone, Stamford, CT (US);
Heberto J. Calves, Katonah, NY (US)

(73) Assignee: **SMART PET TECHNOLOGIES, LLC**, Stamford, CT (US)

(**) Term: **15 Years**

(21) Appl. No.: **29/577,582**

(22) Filed: **Sep. 14, 2016**

Related U.S. Application Data

(63) Continuation-in-part of application No. 15/258,635, filed on Sep. 7, 2016.

(51) **LOC (11) Cl.** **30-04**

(52) **U.S. Cl.**
USPC **D30/152; D30/199**

(58) **Field of Classification Search**
USPC D30/144, 151, 152, 155, 199; D24/190;
D2/627, 894; D29/100, 101.1, 101.2;
D11/3; D8/300; D10/32
CPC . A01K 27/001; A01K 27/006; A01K 15/0021
See application file for complete search history.

(56) **References Cited**

U.S. PATENT DOCUMENTS

D379,252 S * 5/1997 McIntosh D30/152
D428,218 S * 7/2000 Dehart D30/152
D445,707 S * 7/2001 Zakhakyan D30/152
D522,187 S * 5/2006 Nottingham D30/152
D570,237 S * 6/2008 Goetzl D30/152
D673,334 S * 12/2012 Guo D30/152
D727,194 S * 4/2015 Wilson D11/3
9,146,105 B2 9/2015 Golden
D747,566 S * 1/2016 Pulliam D30/199

OTHER PUBLICATIONS

“Link AKC Smart Dog Collar”. Found online Sep. 7, 2017 at amazon.com. Page dated Oct. 26, 2016. Retrieved from https://www.amazon.com/LINK-AKC-Smart-Dog-Collar/dp/B01MFG7ELX/ref=sr_1_400?s=pets-supplies&ie=UTF8&qid=1504808421&sr=1-400&keywords=tracker%2Bcollar&th=1.

(Continued)

Primary Examiner — George D. Kirschbaum
Assistant Examiner — Kendra Leslie Hamilton
(74) *Attorney, Agent, or Firm* — Arnold & Porter

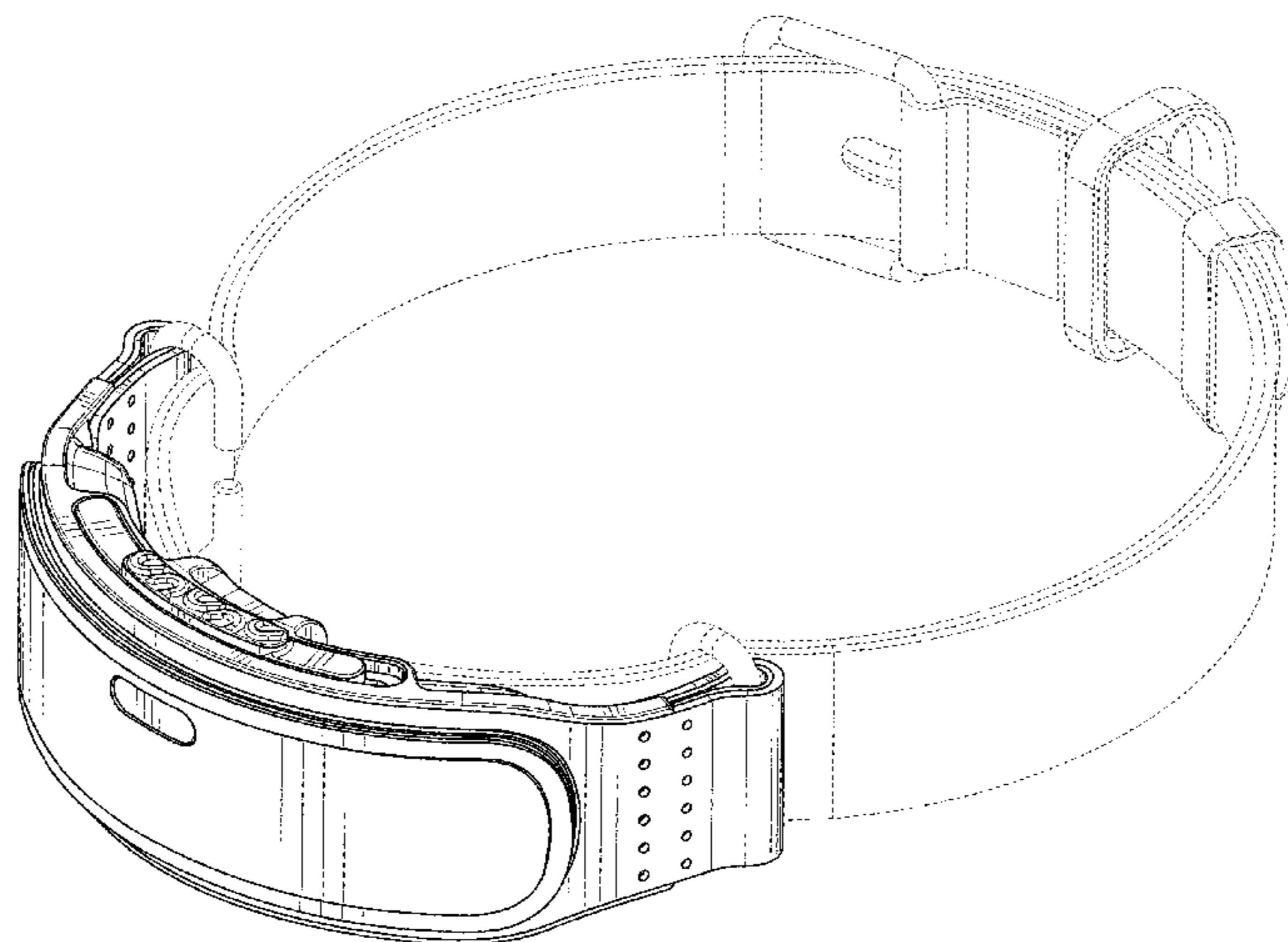
(57) **CLAIM**

The ornamental design for a wearable pet monitor, as shown and described.

DESCRIPTION

FIG. 1 is a top front left perspective view of a wearable pet monitor, showing our new design in condition of use.
FIG. 2 is a top front left perspective view of the wearable pet monitor of FIG. 1, shown in an alternate configuration.
FIG. 3 is a front view thereof.
FIG. 4 is a rear view thereof.
FIG. 5 is a right-side view thereof.
FIG. 6 is a left-side view thereof.
FIG. 7 is a top plan view thereof.
FIG. 8 is a bottom plan view thereof.
FIG. 9 is an exploded top front left perspective view of the wearable pet monitor of FIG. 2; and,
FIG. 10 is an exploded bottom front right perspective view of the wearable pet monitor of FIG. 2.
The broken lines illustrate portions of the wearable pet monitor that form no part of the claimed design.

1 Claim, 10 Drawing Sheets



(56)

References Cited

U.S. PATENT DOCUMENTS

2003/0116101 A1* 6/2003 Kim A01K 15/021
119/720
2014/0187273 A1 7/2014 Golden
2014/0261233 A1* 9/2014 So A01K 15/021
119/720
2014/0324630 A1 10/2014 Golden et al.
2014/0331942 A1* 11/2014 Sarazyn A01K 29/005
119/719
2014/0365558 A1 12/2014 Golden et al.
2015/0107531 A1 4/2015 Golden
2016/0178756 A1 6/2016 Briggs, III et al.
2016/0278346 A1 9/2016 Golden et al.
2016/0282861 A1 9/2016 Golden et al.
2016/0330577 A1 11/2016 Golden

OTHER PUBLICATIONS

“Tagg GPS Pet Tracker” Found online Dec. 8, 2016 at amazon.com.
Page dated Mar. 11, 2012. Retrieved from https://www.amazon.com/Tagg-GPS-Pet-Tracker-Attachment/dp/B0077I42S4/ref=cm_cr_ar_p_d_product_top?ie=UTF8.*

“Petcare New Fashion Design Dog GPS Tracker”. Found online
Sep. 7, 2017 at amazon.com. Page dated Sep. 13, 2016. Retrieved
from https://www.amazon.com/gp/product/B01LW2T806/ref=ask_ql_qh_dp_hza.*

“The Nuzzle Collar”. Found online Oct. 27, 2017 at hellonuzzle.
com. Page dated Apr. 25, 2016. Retrieved from <https://web.archive.org/web/20160425122908/http://hellonuzzle.com/nuzzle-products/>.*

Joseph T. McKee, et al.; U.S. Appl. No. 15/258,635, filed Sep. 7,
2016, entitled “Smart Animal Collar System”.

* cited by examiner

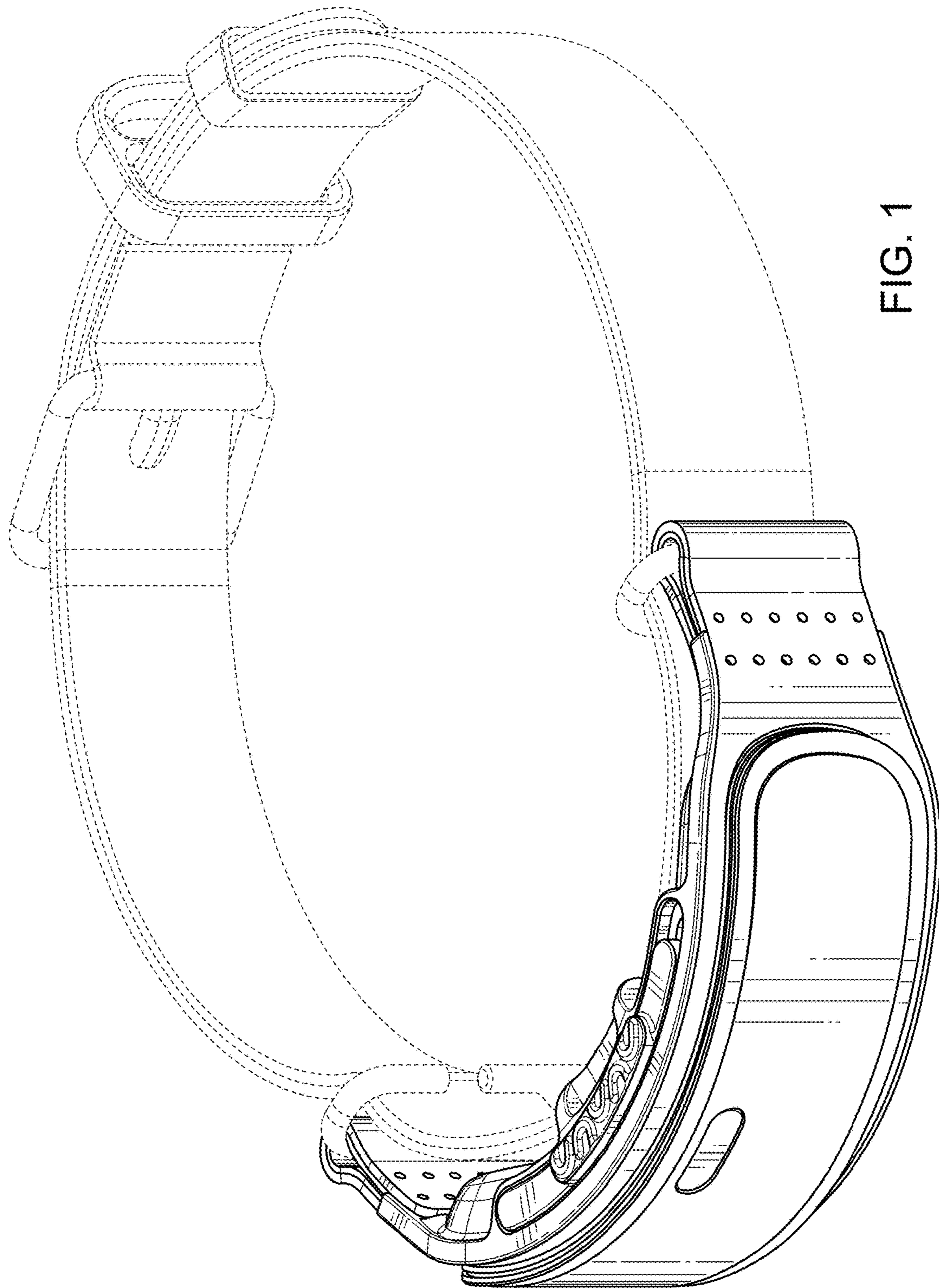


FIG. 1

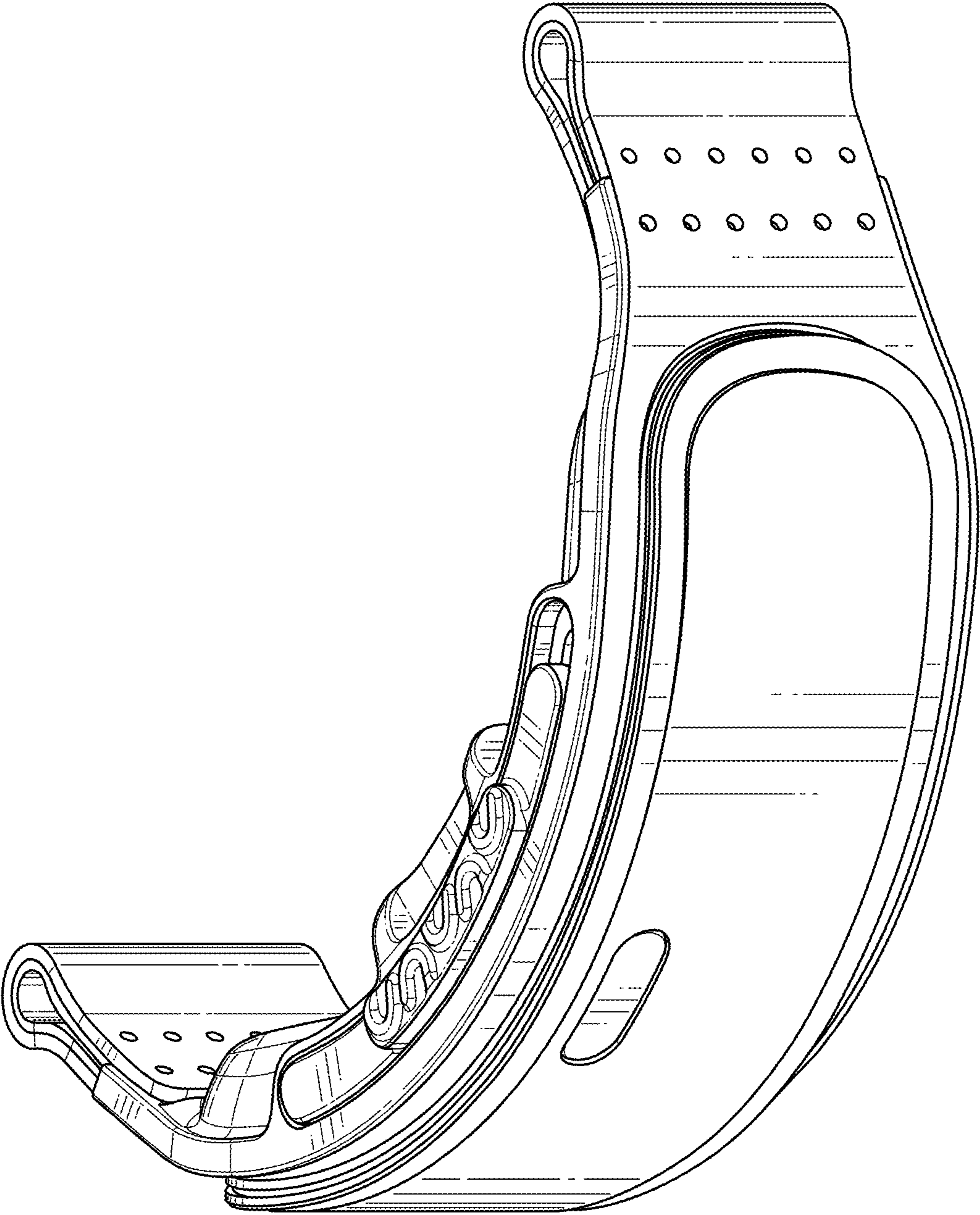


FIG. 2

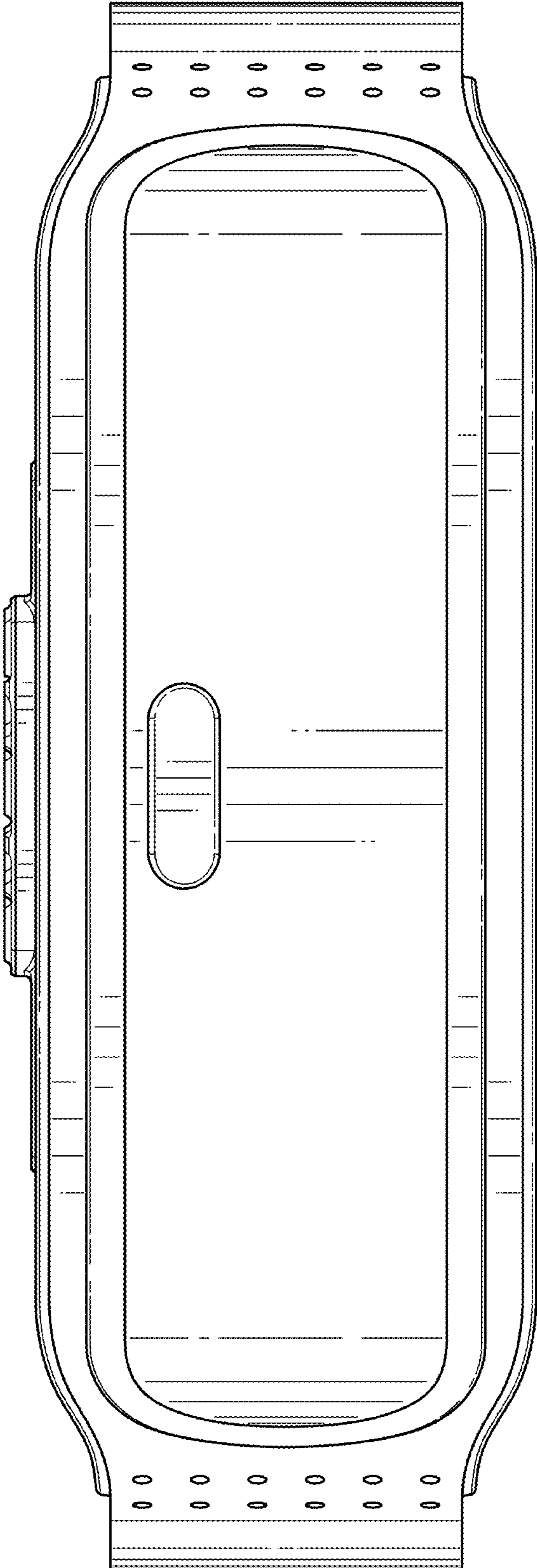


FIG. 3

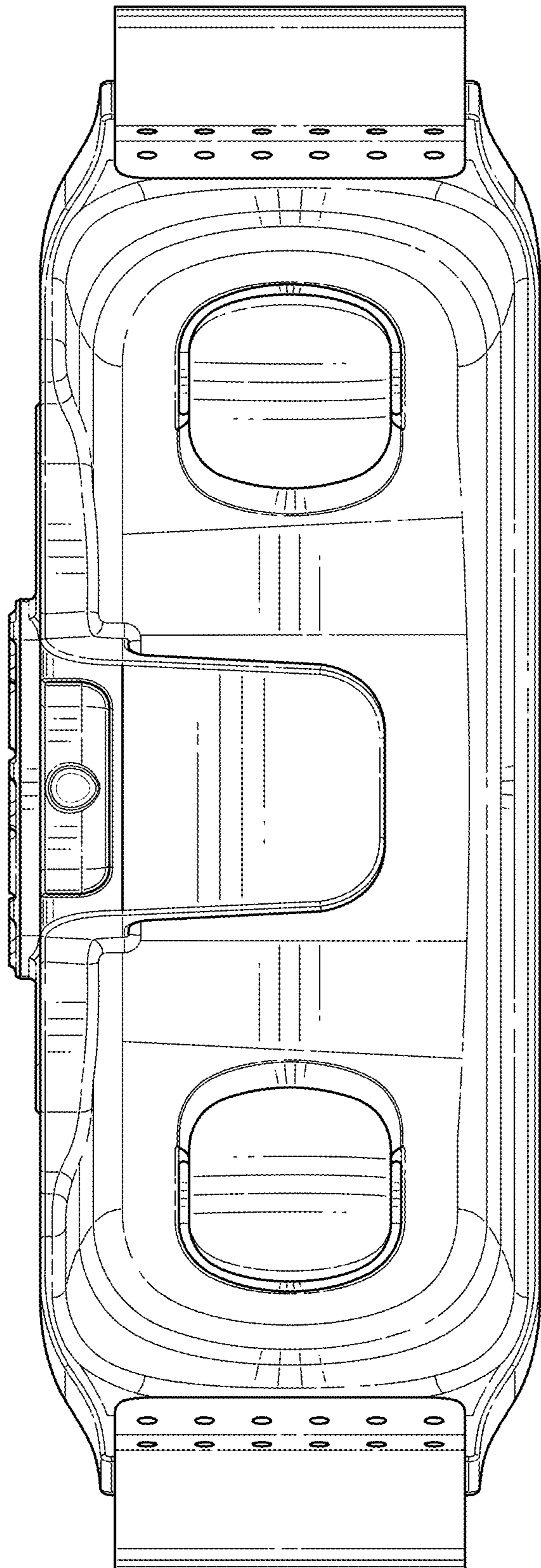


FIG. 4

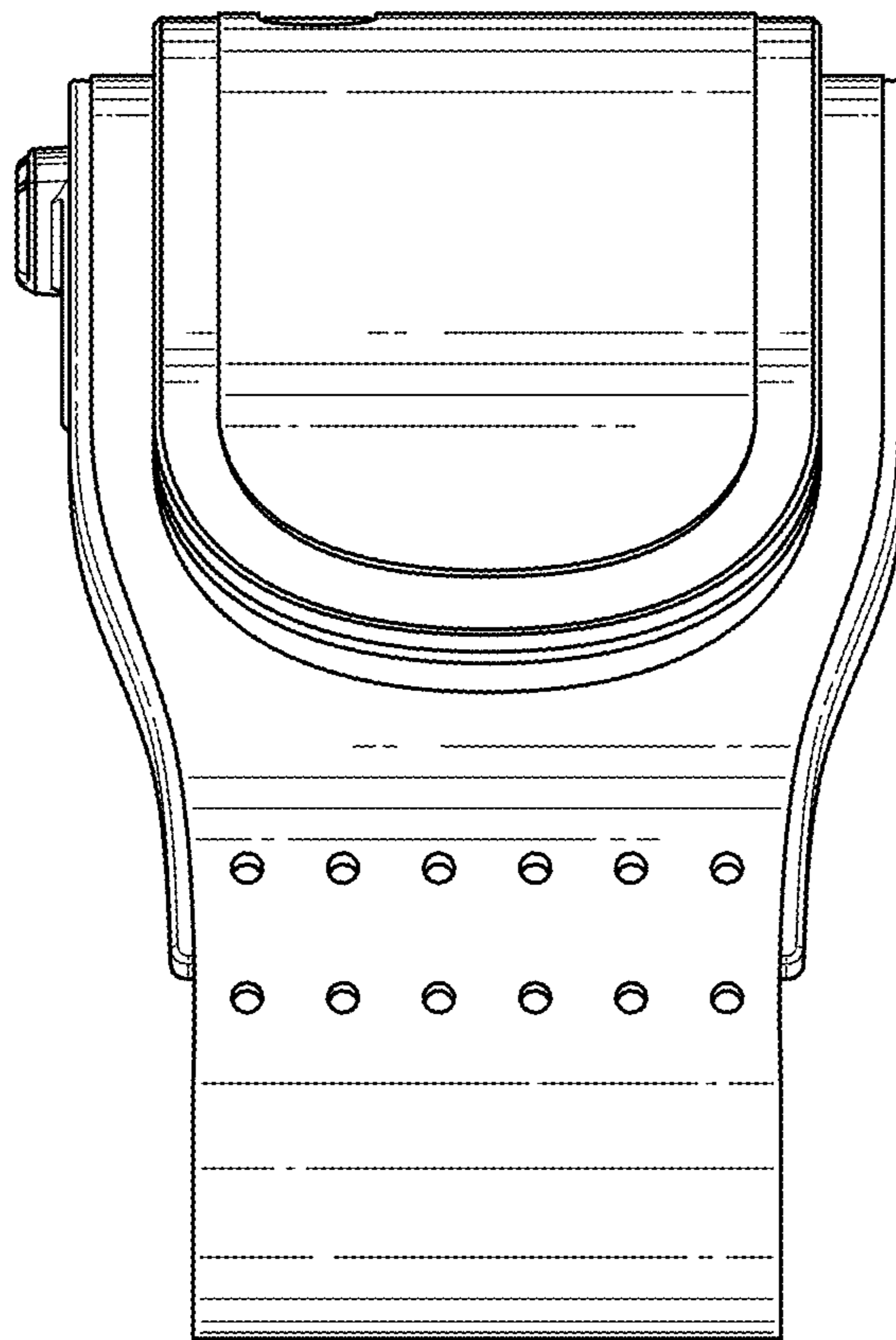


FIG. 5

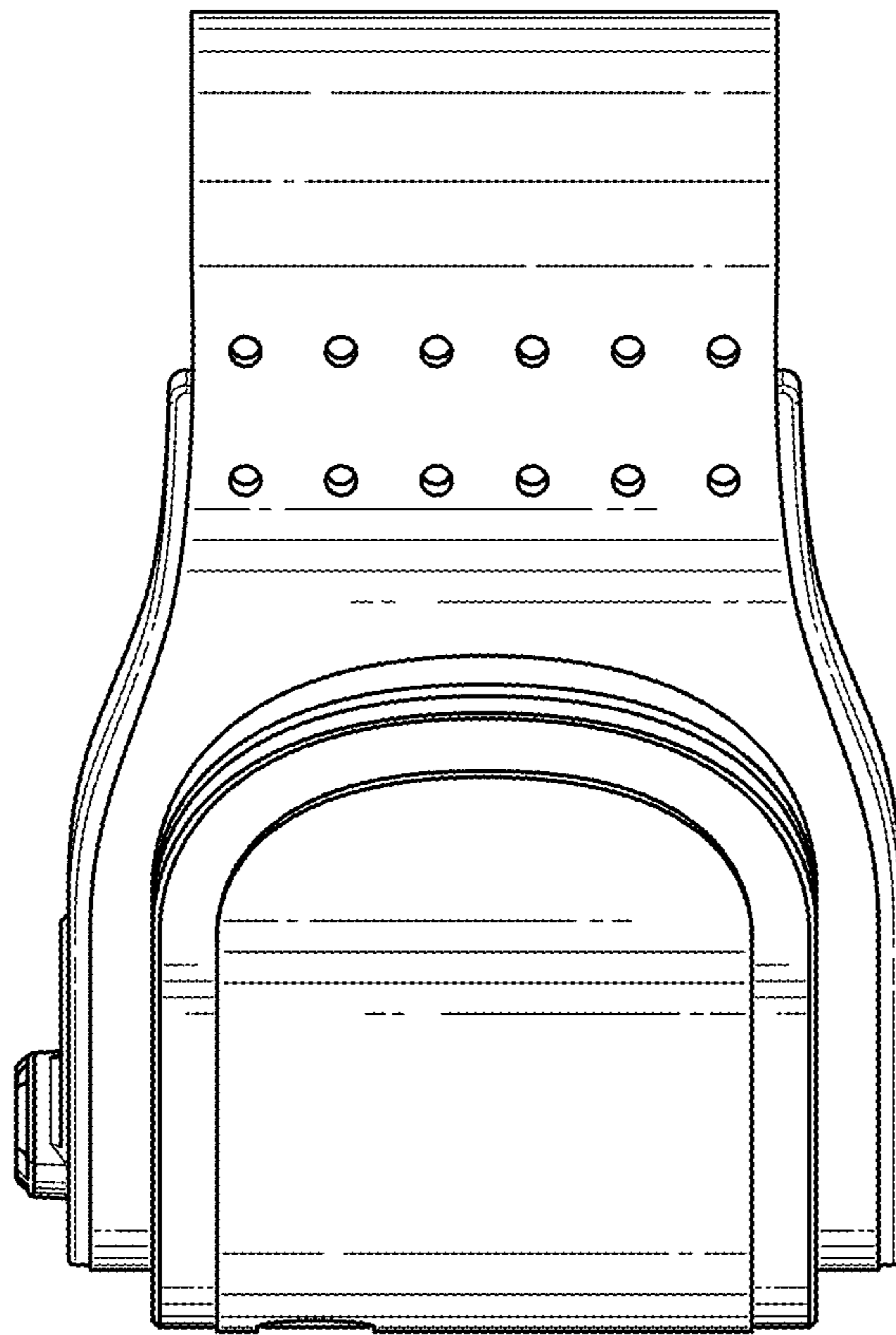


FIG. 6

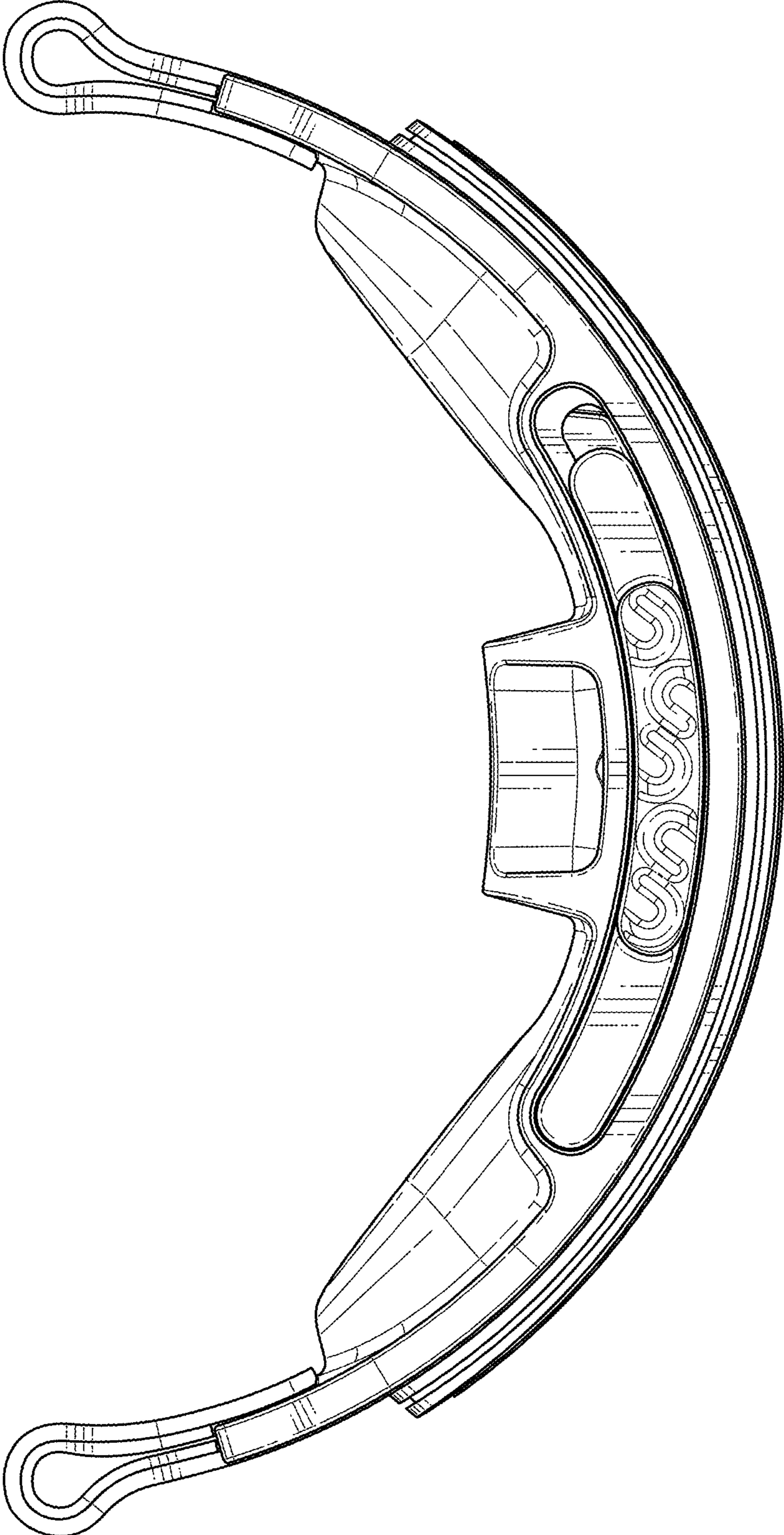


FIG. 7

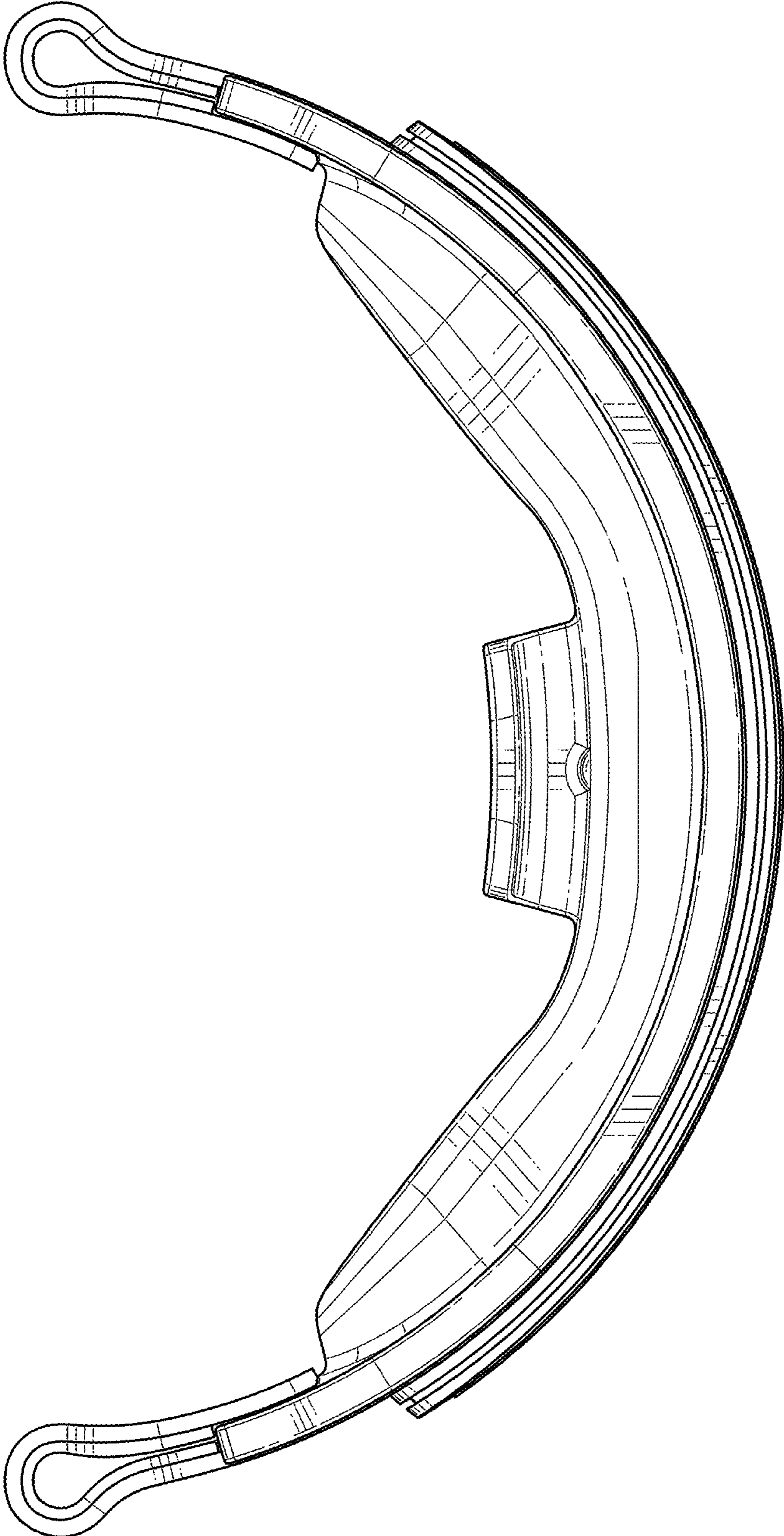


FIG. 8

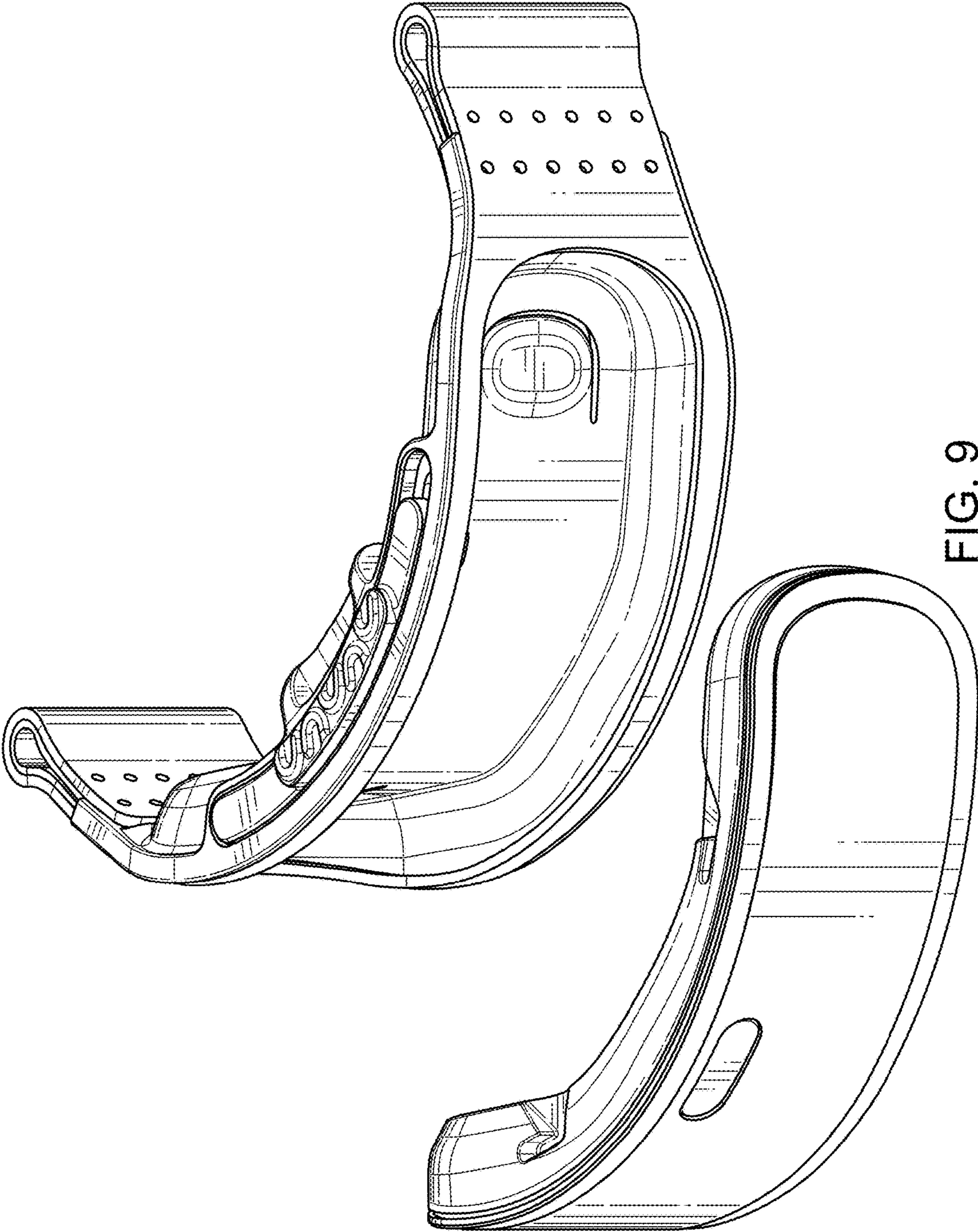


FIG. 9

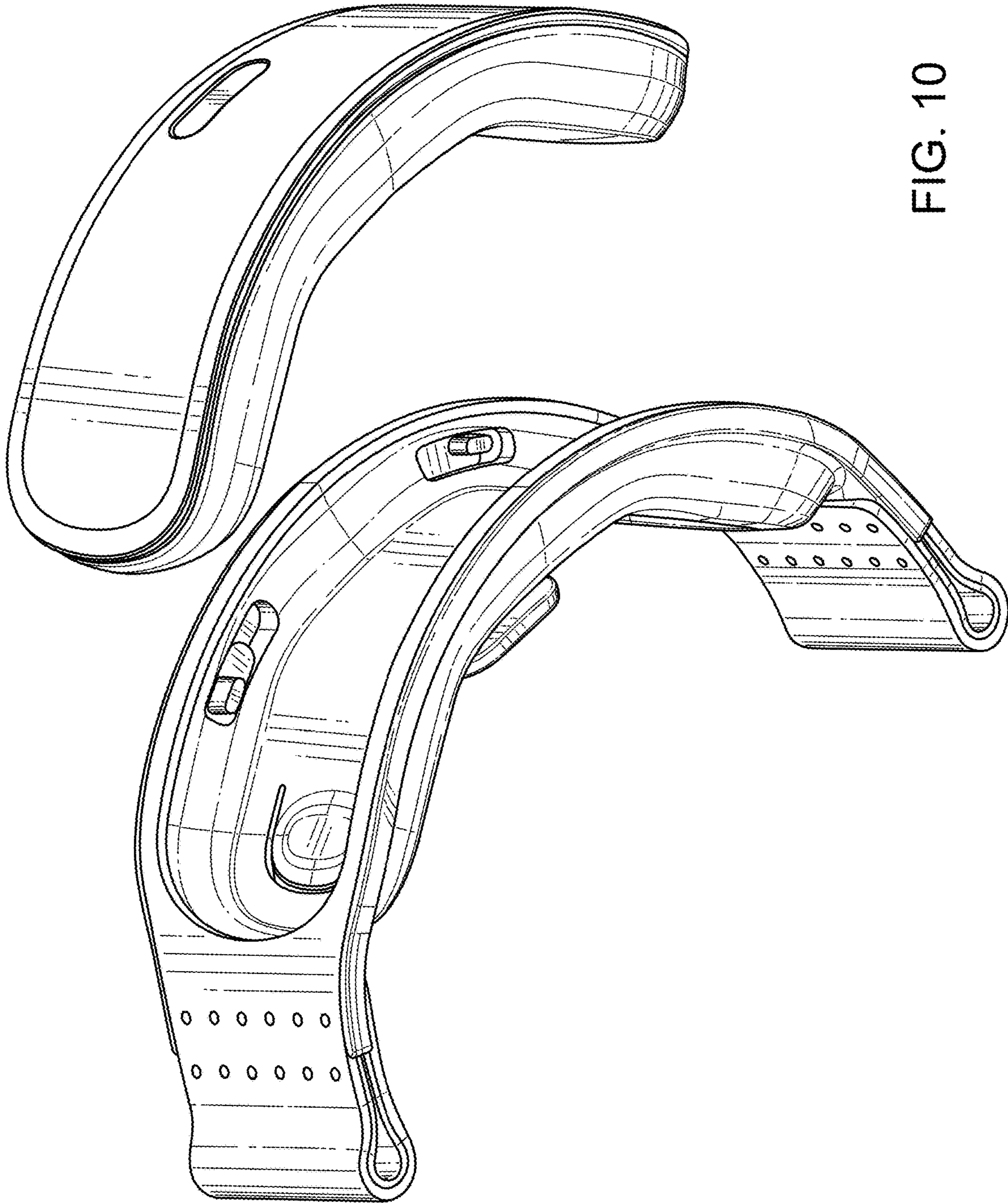


FIG. 10