



US00D822913S

(12) **United States Design Patent**
Tao

(10) **Patent No.:** **US D822,913 S**
(45) **Date of Patent:** **** Jul. 10, 2018**

(54) **AUTOMATIC PET WATER FOUNTAIN**

(71) Applicant: **Xiaocan Tao**, Guangdong (CN)

(72) Inventor: **Xiaocan Tao**, Guangdong (CN)

(73) Assignee: **SHENZHEN JINCAN PET PRODUCTS LIMITED.**, Fuyong Sub-Dist., Baoan District, Shenzhen, Guangdong (CN)

(**) Term: **15 Years**

(21) Appl. No.: **29/617,092**

(22) Filed: **Sep. 12, 2017**

(51) **LOC (11) Cl.** **30-03**

(52) **U.S. Cl.**
USPC **D30/132**

(58) **Field of Classification Search**
USPC D30/121-133; 119/51.01, 61, 51.04, 53, 119/57.91, 54, 53.5, 52.4, 51.11, 63, 61.2, 119/52.1, 57.5, 57.6, 51.13, 62, 75, 500, 119/501, 72, 72.5, 74, 78-81, 61.56, 51.5; 239/7, 687, 379, 397.5; 222/199, 181.1, 222/181.2, 185.1, 557, 156, 485, 486, 222/548, 555, 207, 205, 424, 438, 48, 222/206, 212, 215, 460, 461, 525, 86, 89; 220/200, 227, 247, 262, 694, 700, 701, 220/703, 660-662, 521, 705, 709, 287, 220/523, 574, 6, 771, 737, 23.83, 212, 220/4.22, 847; 221/174, 185.1, 289, 295, 221/296, 559; 454/35; 209/270, 283, 209/244; 52/194, 192; 49/279, 344, 357; D34/28; D9/531, 549, 516, 523, 530, D9/538, 541, 544, 559, 719, 716, 424, D9/426, 432, 428, 431, 433, 739; D7/300, 300.1, 302-305, 312, 316, 317, D7/507-512, 523, 524, 528, 700, 709, D7/605, 620, 612, 619.1, 624.2, 624.3, D7/550.1, 571, 587; D3/132; D15/143, D15/199; D28/4, 7, 9; D19/66; 141/343, 331, 340, 384, 330, 332, 383,

141/311 R, 313, 338, 344, 345; 210/455; 215/228, 231, 235, 319-383, 386, DIG. 7, 215/388, 6, 12.1, 10, 13.1; 4/258, 259, 4/267; 206/459.1, 459.5, 501, 45.23, 6, 206/514, DIG. 10, 217, 543, 544, 546, 206/549, 223, 241, 541, 518, 522, 557, 206/591; 224/148.4, 148.7, 650
CPC . A01K 7/00; A01K 7/005; A01K 7/02; A01K 7/022; A01K 7/06; A01K 39/0213; A01K 39/02; B65D 41/26; B65D 41/265; B65D 41/28; B65D 41/32; B65D 41/325; B65D 41/34; B65D 41/56; B65D 51/20; B65D 51/249; B65D 51/24; B65D 51/28; B65D 47/243; B65D 2205/04; B65D 21/0238; B65D 81/3205; B65D 81/3216; B65D 71/50; B65D 77/2024; B65D

(Continued)

(56) **References Cited**

U.S. PATENT DOCUMENTS

D428,217 S * 7/2000 Rodack D30/132
D456,569 S * 4/2002 Northrop D30/132

(Continued)

Primary Examiner — Susan Moon Lee

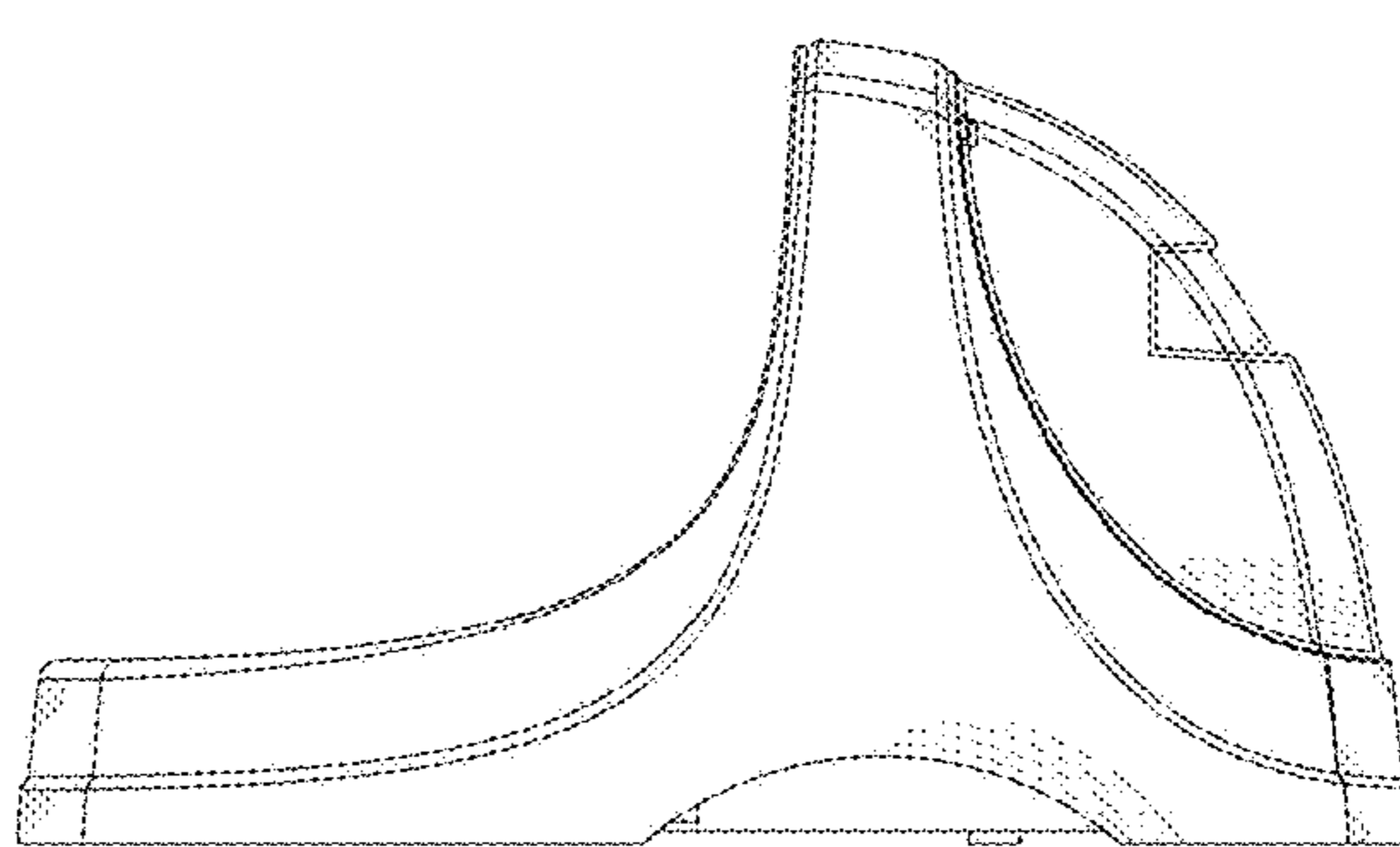
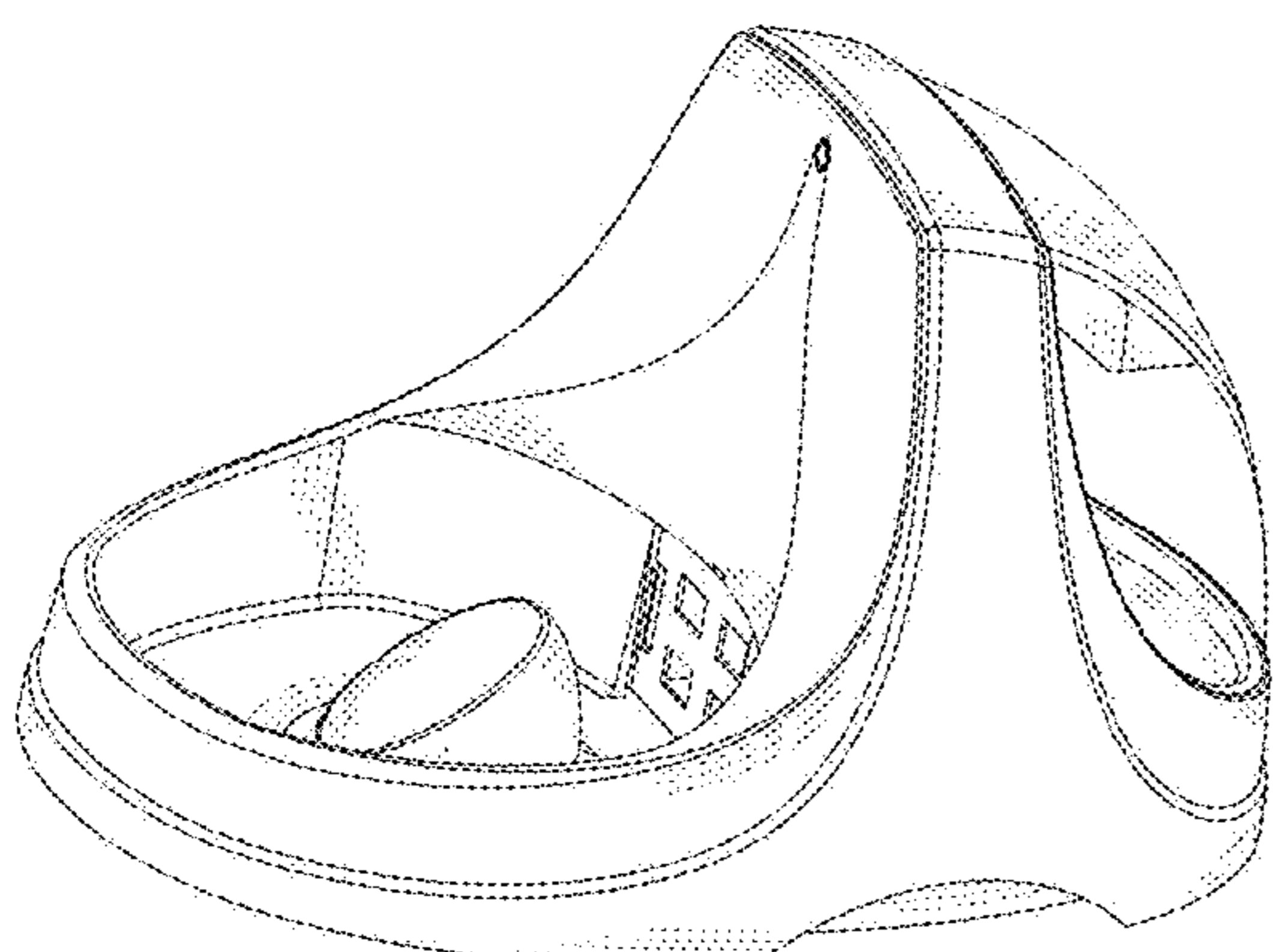
(57) **CLAIM**

The ornamental design for an automatic pet water fountain, as shown and described.

DESCRIPTION

FIG. 1 is a perspective view of an automatic pet water fountain showing my new design; FIG. 2 is a front elevational view thereof; FIG. 3 is a rear elevational view thereof; FIG. 4 is a left side elevational view thereof; FIG. 5 is a right side elevational view thereof; FIG. 6 is a top plan view thereof; and, FIG. 7 is a bottom plan view thereof.

1 Claim, 7 Drawing Sheets



(58) **Field of Classification Search**

CPC 43/0212; B65D 2517/0049; B65D
2543/00046; B65D 2543/00092; B65D
2543/00537; B65D 2543/00731; B65D
2543/00796; B65D 2577/205; A61J 9/00;
A61J 9/006; A61J 9/001; A61J 9/003;
A61J 11/04; A61J 19/00; B65B 39/00;
B65B 39/001; B65B 39/005; B65B
39/007; B67C 11/02; G01F 11/286; B67B
7/28

See application file for complete search history.

(56) **References Cited**

U.S. PATENT DOCUMENTS

6,460,483 B1 * 10/2002 Northrop A01K 7/00
119/702
D472,350 S * 3/2003 Northrop D30/121
6,845,735 B1 * 1/2005 Northrop A01K 5/0225
119/52.1
7,958,844 B1 * 6/2011 Northrop A01K 7/02
119/74
D704,388 S * 5/2014 Fang D30/132
D704,392 S * 5/2014 Fang D30/132
2002/0134313 A1 * 9/2002 King A01K 5/025
119/51.02
2006/0236948 A1 * 10/2006 Wechsler A01K 5/0114
119/77
2008/0078330 A1 * 4/2008 McCallum A01K 7/02
119/72

* cited by examiner

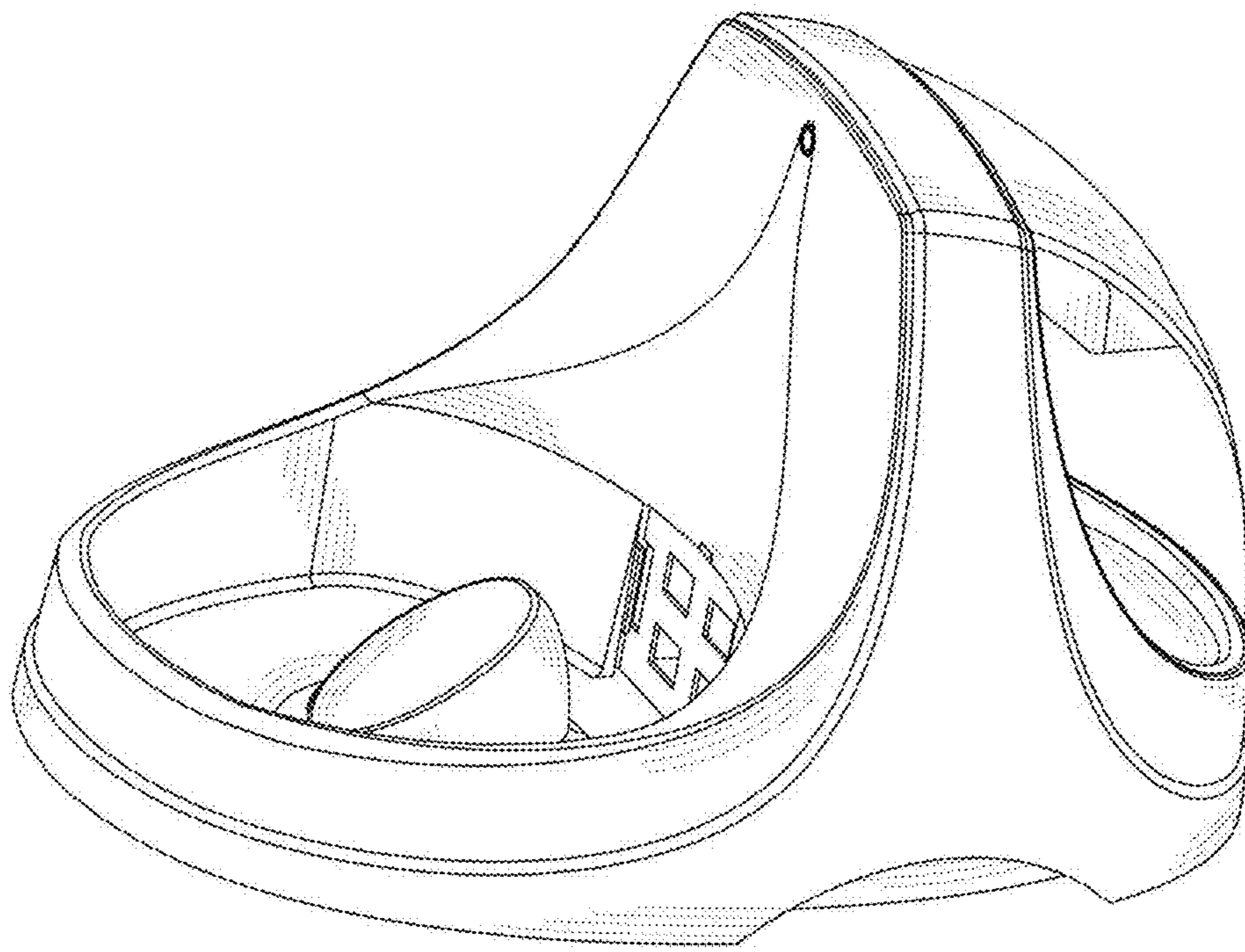


FIG.1

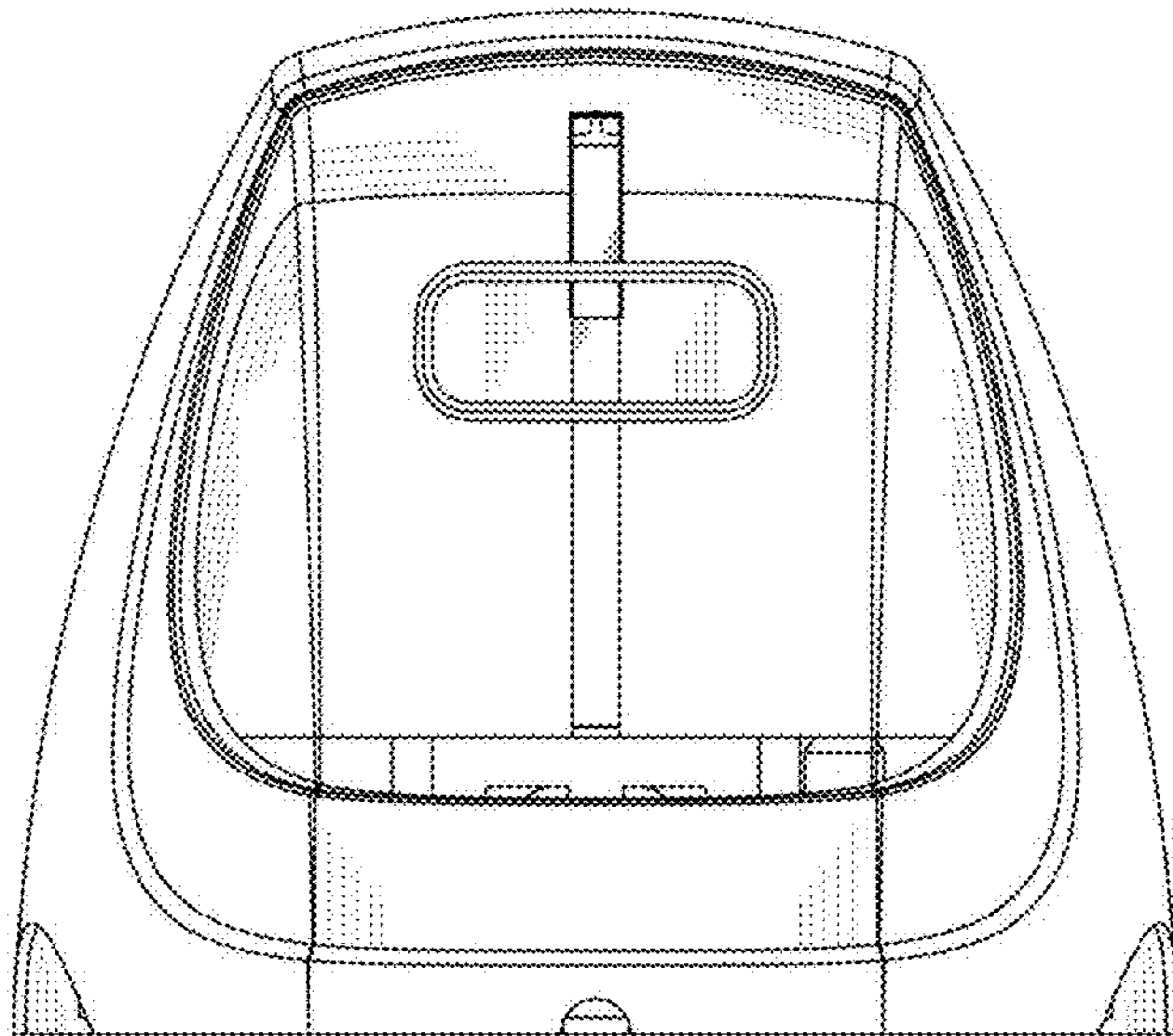


FIG.2

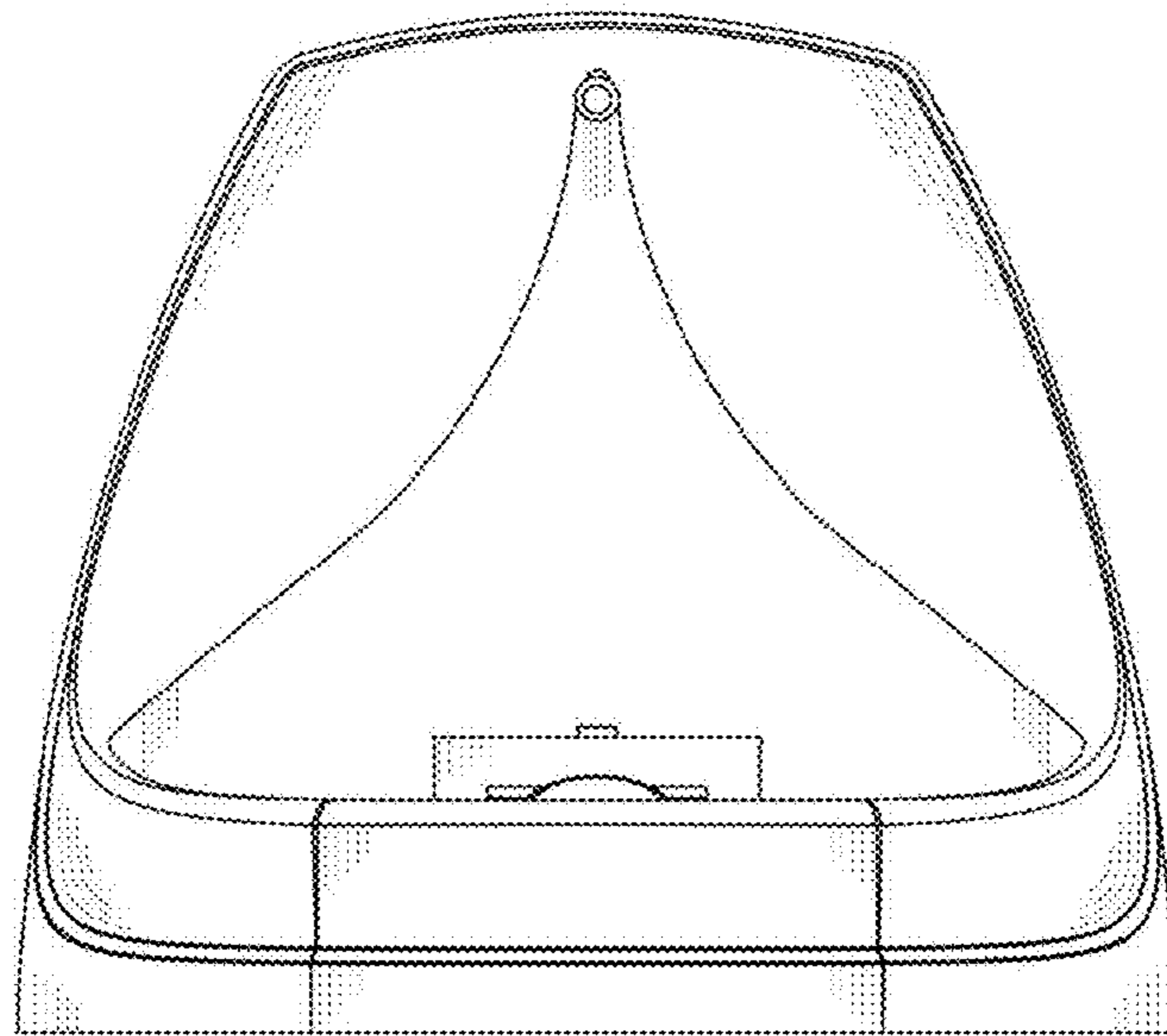


FIG.3

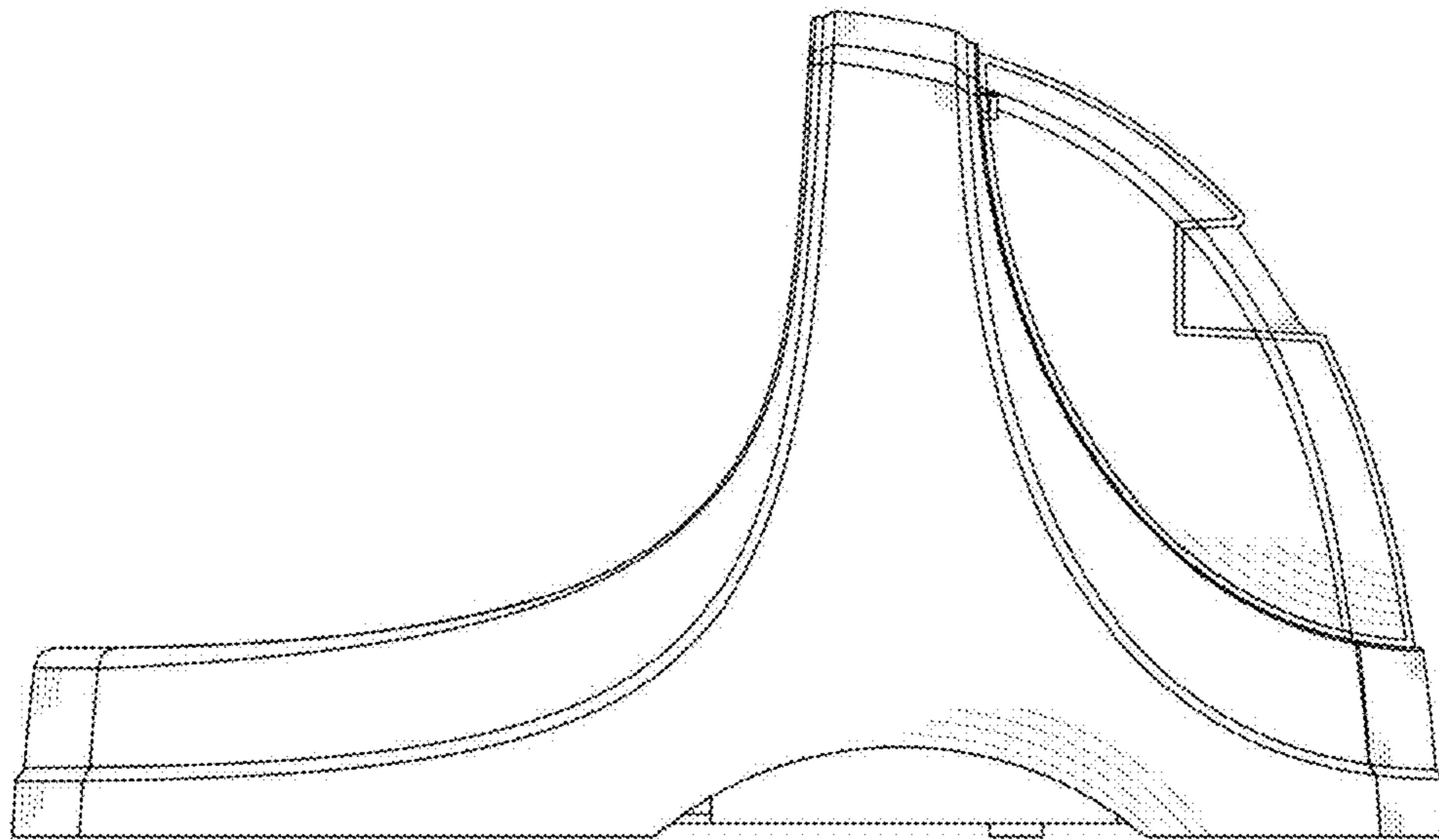


FIG.4

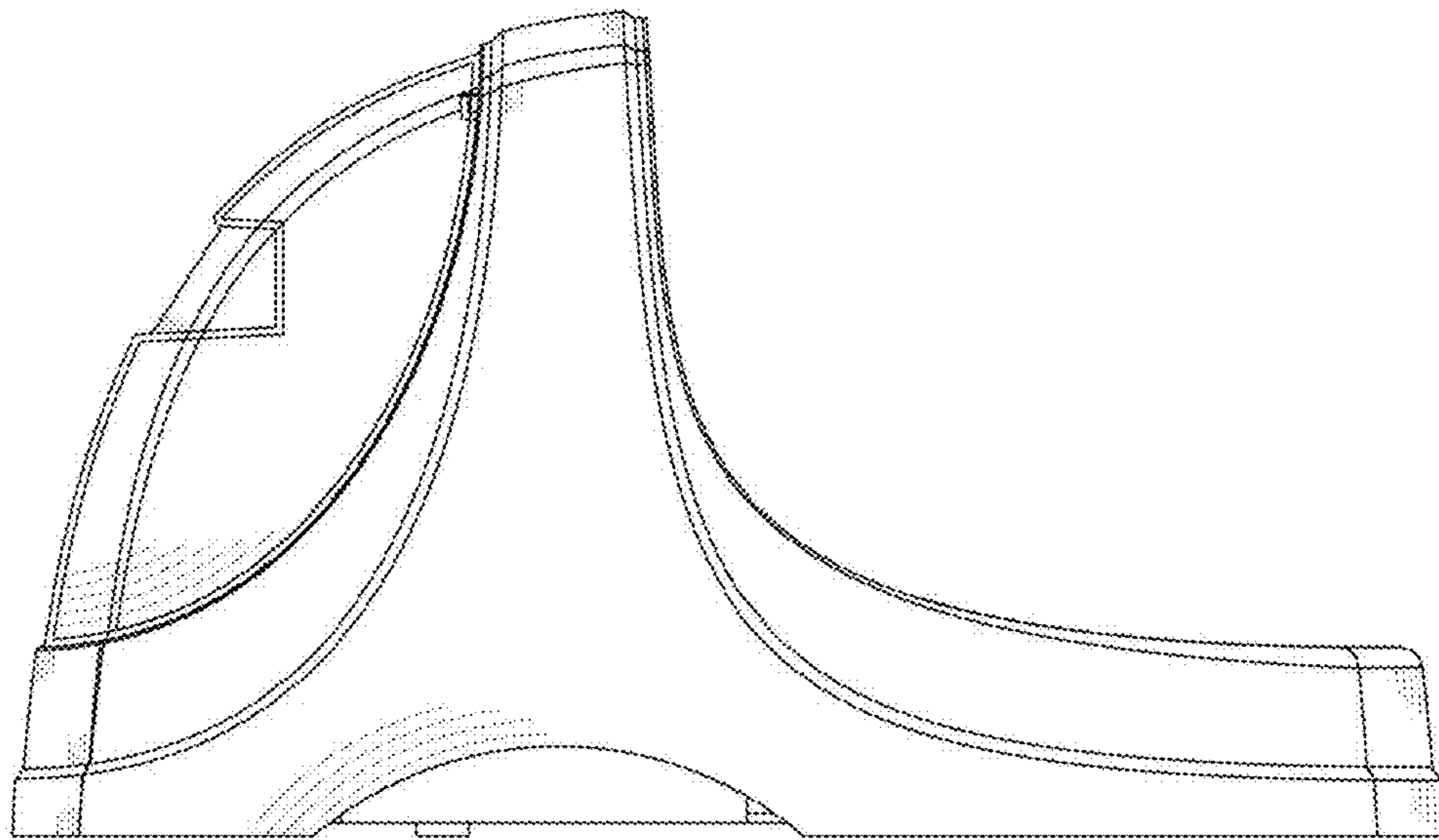


FIG.5

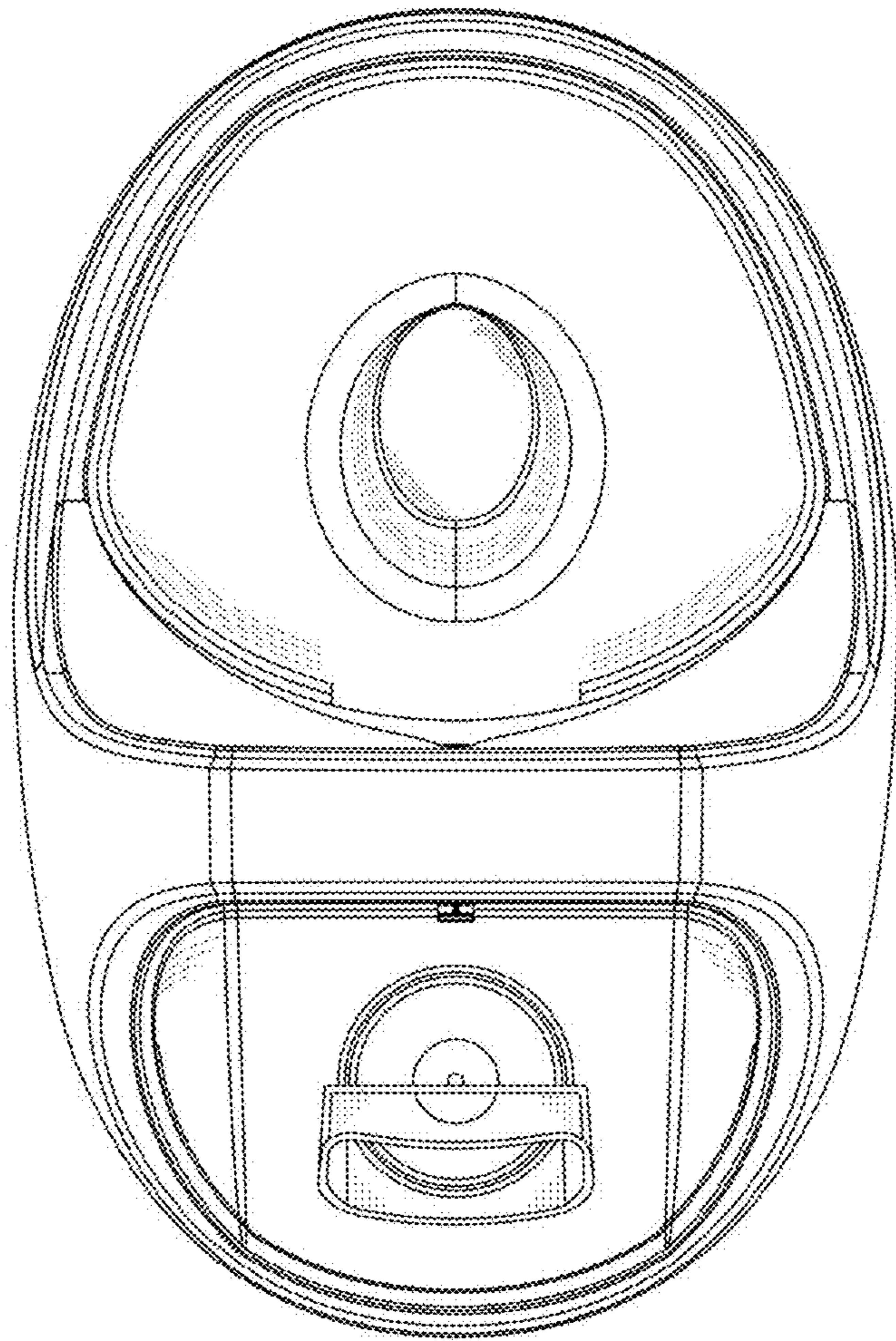


FIG.6

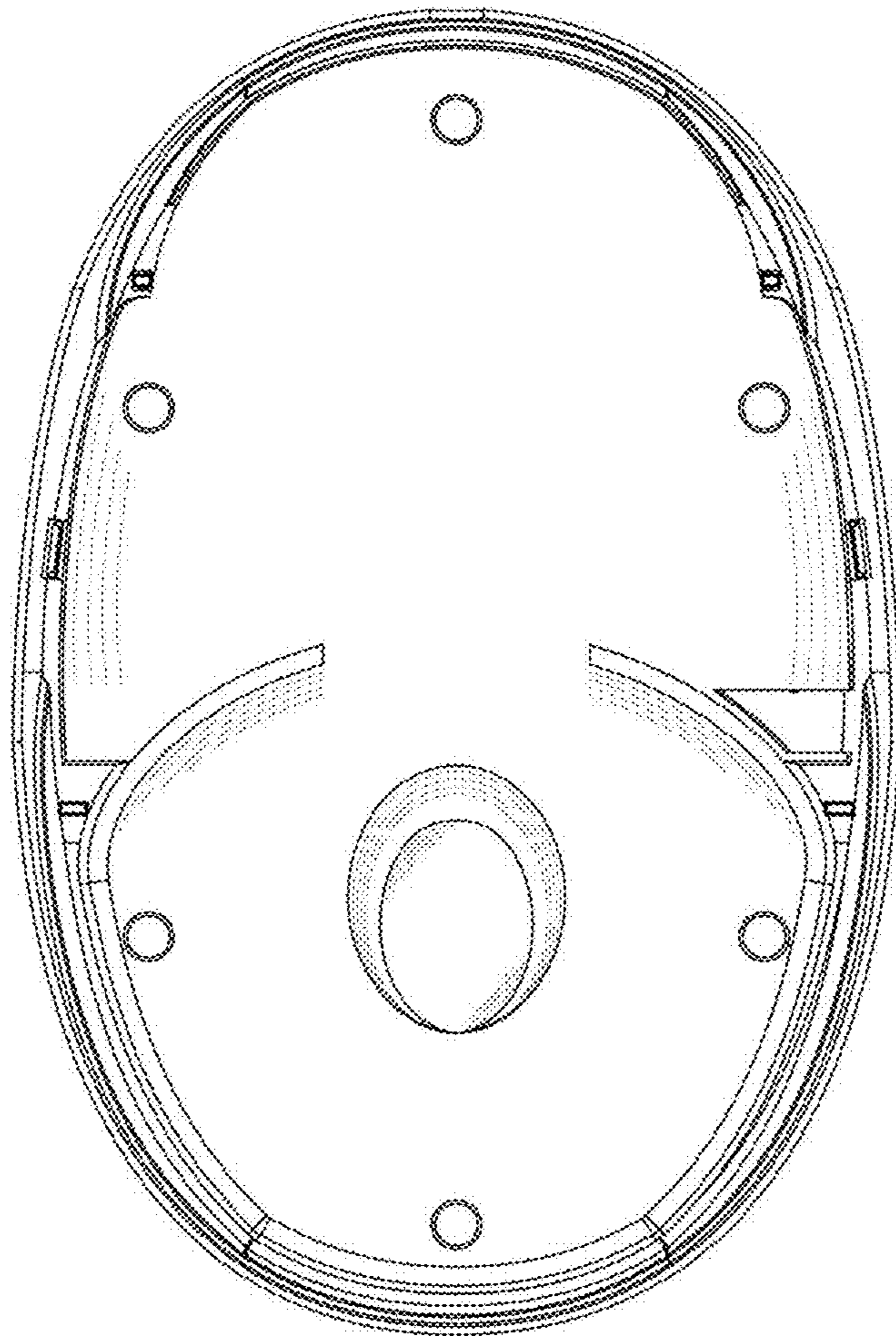


FIG.7