



US00D822912S

(12) **United States Design Patent** (10) **Patent No.:** **US D822,912 S**
Edmonds (45) **Date of Patent:** **** Jul. 10, 2018**

(54) **ANIMAL ENCLOSURE COVER**

FOREIGN PATENT DOCUMENTS

(71) Applicant: **Edmonds Outdoors, LLC**, Brentwood, TN (US)

CN 2764148 Y 3/2006
CN 102037899 A 5/2011
WO 9918317 A1 4/1999

(72) Inventor: **Addison Edmonds**, Brentwood, TN (US)

OTHER PUBLICATIONS

(73) Assignee: **Edmonds Outdoors, LLC**, Brentwood, TN (US)

“ArcticShield Kennel Covers.” Found online Apr. 11, 2018 at www.youtube.com. Page dated Jul. 14, 2015. Retrieved from URL: <https://www.youtube.com/watch?v=R3XSN-cPQSE> (Year: 2015).*

(**) Term: **15 Years**

(Continued)

(21) Appl. No.: **29/590,359**

Primary Examiner — Charles Garth Rademaker

(22) Filed: **Jan. 10, 2017**

Assistant Examiner — Katelin G Kloberg

(74) *Attorney, Agent, or Firm* — Waller Lansden Dortch & Davis, LLP; Matthew C. Cox

Related U.S. Application Data

(63) Continuation of application No. 29/588,806, filed on Dec. 22, 2016.

(51) **LOC (11) Cl.** **30-02**

(52) **U.S. Cl.**
USPC **D30/119**

(58) **Field of Classification Search**
USPC D30/108, 109, 114, 116, 118, 119, 120;
119/452, 453, 474, 496–498
CPC A01K 1/0245; A01K 1/0035
See application file for complete search history.

(57) **CLAIM**

What is claimed is the ornamental design for an “animal enclosure cover,” as shown and described.

DESCRIPTION

FIG. 1 is a front perspective view of the “animal enclosure cover” of Applicant’s invention.
FIG. 2 is a right side view of the “animal enclosure cover” of Applicant’s invention.
FIG. 3 is a left side view of the “animal enclosure cover” of Applicant’s invention.
FIG. 4 is a front view of the “animal enclosure cover” of Applicant’s invention.
FIG. 5 is a back view of the “animal enclosure cover” of Applicant’s invention.
FIG. 6 is a top view of the “animal enclosure cover” of Applicant’s invention; and,
FIG. 7 is a bottom view of the “animal enclosure cover” of Applicant’s invention.
The dashed lines in the drawings depict environment and form no part of the claimed design.

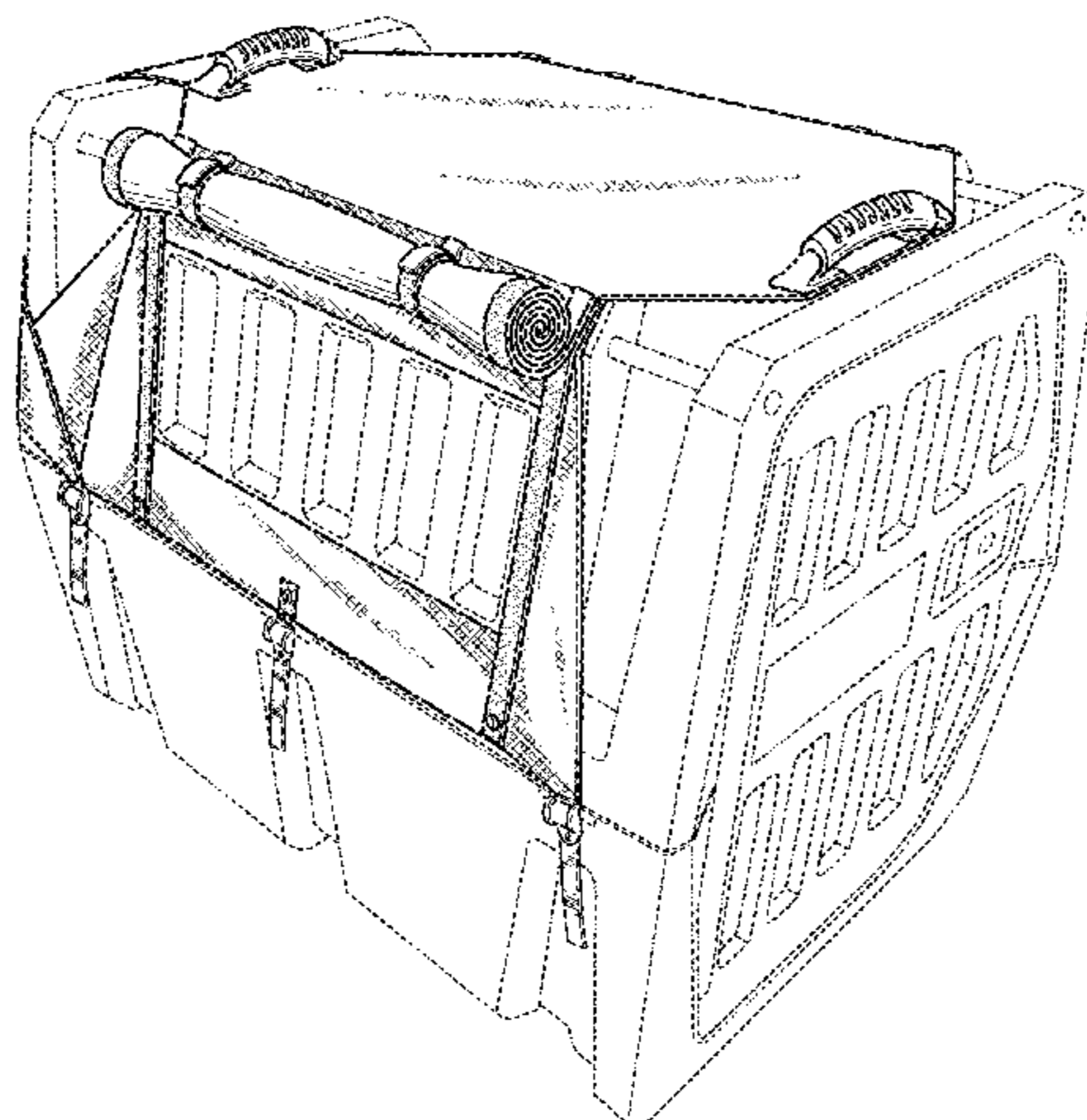
(56) **References Cited**

U.S. PATENT DOCUMENTS

4,696,259 A 9/1987 Fewox
4,852,520 A 8/1989 Goetz
D312,333 S 11/1990 Van Skiver
5,154,137 A 10/1992 Stanaland
5,168,829 A 12/1992 Dietrich
5,220,882 A 6/1993 Jenkins
5,357,900 A 10/1994 Ho
5,669,331 A 9/1997 Richmond
5,727,503 A 3/1998 Whittaker

(Continued)

1 Claim, 7 Drawing Sheets



(56)

References Cited

U.S. PATENT DOCUMENTS

D426,680 S * 6/2000 Morley D30/119
 6,095,088 A 8/2000 Savicki
 6,345,591 B1 2/2002 Richmond
 6,446,577 B1 * 9/2002 Salahor A01K 1/0254
 119/470
 6,571,740 B1 6/2003 Kinder et al.
 7,036,458 B1 5/2006 Stornant
 D529,666 S * 10/2006 Simpson D30/108
 D545,507 S 6/2007 Harper et al.
 D546,005 S 7/2007 Harper et al.
 D551,399 S 9/2007 Harper et al.
 D555,292 S 11/2007 Harper et al.
 D574,559 S 8/2008 You et al.
 D615,251 S 5/2010 Scherbing
 7,802,540 B2 * 9/2010 Jakubowski A01K 1/0254
 119/497
 8,127,715 B2 3/2012 Leung
 8,127,719 B2 3/2012 Jakubowski et al.
 D671,691 S 11/2012 Neilan
 8,336,500 B1 12/2012 Britt
 8,408,416 B2 4/2013 Cheng-Lung et al.
 8,413,472 B2 4/2013 Chiang
 8,544,417 B2 10/2013 Sangl et al.
 8,613,260 B2 12/2013 Veness
 D703,876 S 4/2014 Chance et al.
 8,733,292 B2 5/2014 Nichols
 D717,005 S 11/2014 Skaggs
 9,119,375 B2 9/2015 Flannery et al.
 D760,447 S * 6/2016 Edmonds D30/109
 9,370,165 B2 6/2016 de Bien
 D768,941 S 10/2016 Edmonds
 2004/0016409 A1 1/2004 Schwinghammer et al.

2004/0134444 A1 7/2004 Shiever et al.
 2004/0194723 A1 * 10/2004 Farmer A01K 1/0254
 119/474
 2005/0103279 A1 * 5/2005 Brewer A01K 1/033
 119/498
 2005/0284399 A1 * 12/2005 Asma A01K 1/03
 119/452
 2009/0101075 A1 * 4/2009 Matlack A01K 1/0245
 119/497
 2010/0043720 A1 2/2010 Yelverton
 2010/0192870 A1 8/2010 Wood
 2012/0037083 A1 2/2012 Greene
 2013/0055962 A1 3/2013 Scoggins
 2013/0220231 A1 8/2013 Hovsepian
 2015/0034018 A1 2/2015 Edmonds
 2016/0192615 A1 7/2016 Pamess

OTHER PUBLICATIONS

“Mud River Dixie Kennel Cover.” Found online Apr. 11, 2018 at www.amazon.com. Page dated Dec. 13, 2014. Retrieved from URL: <https://goo.gl/XBrdqZ> (Year: 2014).*

“Classic Accessories Insulated Dog Kennel Jacket.” Found online Apr. 11, 2018 at www.amazon.com. Page dated Jul. 2, 2010. Retrieved from URL: <https://www.amazon.com/classic-accessories-insulated-kennel-realtree/dp/b000pd8cck> (Year: 2010).*

U.S. Appl. No. 29/492,682, filed Jun. 2, 2014, Edmonds.
 U.S. Appl. No. 29/539,652, filed Sep. 16, 2016, Edmonds.
 U.S. Appl. No. 29/588,806, filed Dec. 22, 2016, Edmonds Outdoors LLC.
 PCT/US2014/049800, International Search Report, dated Nov. 21, 2014, 13 pages.

* cited by examiner

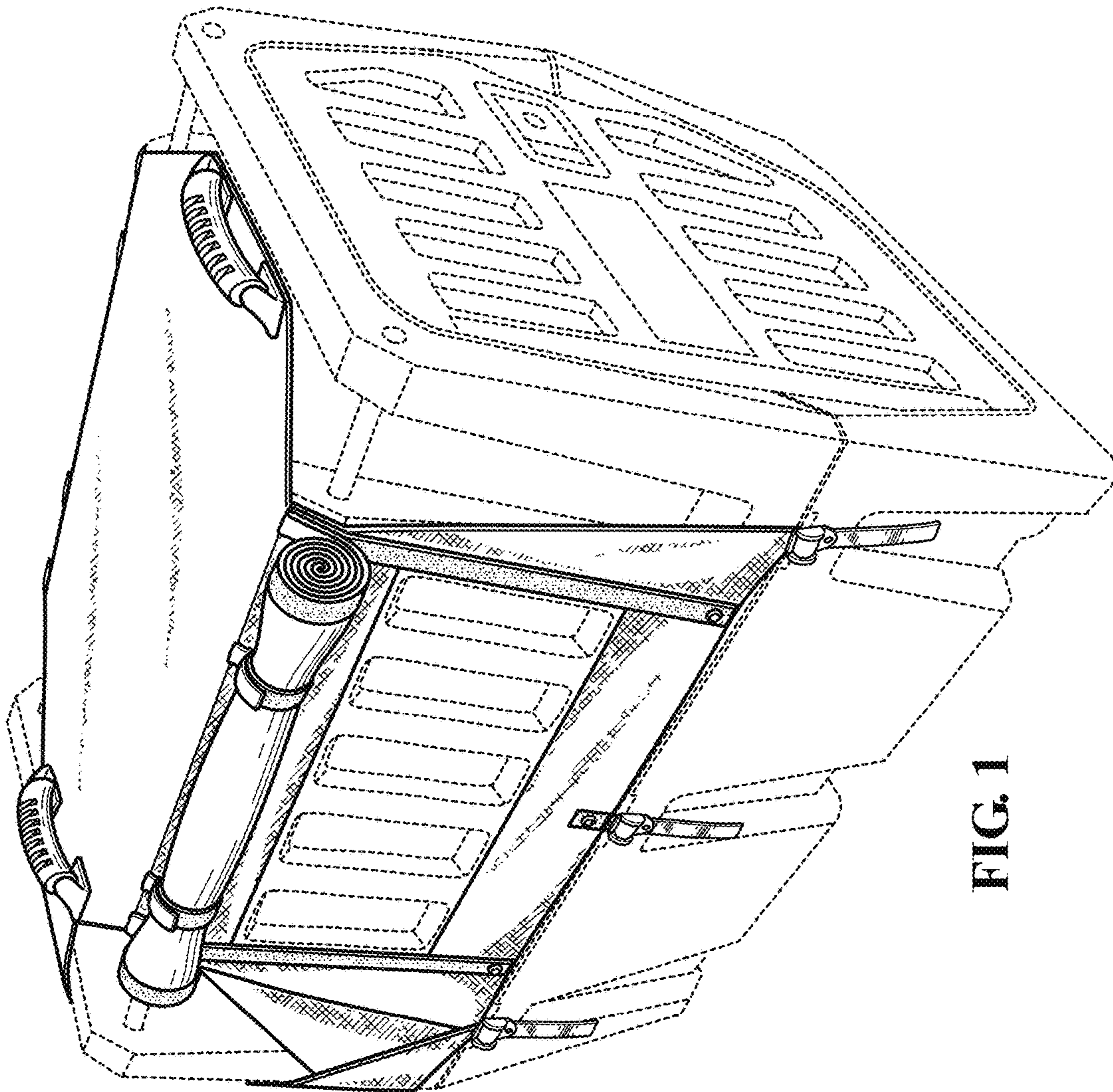


FIG. 1

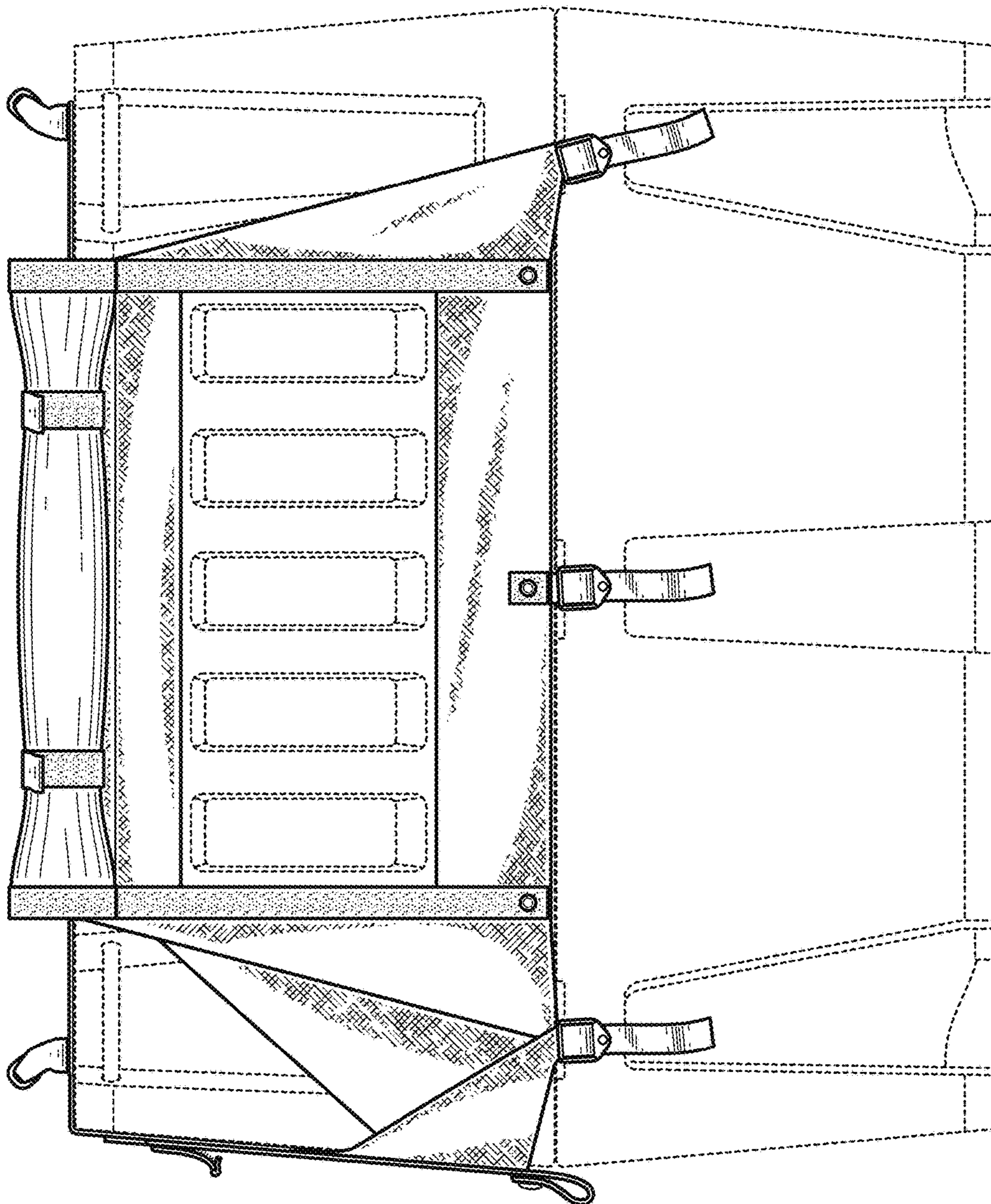


FIG. 2

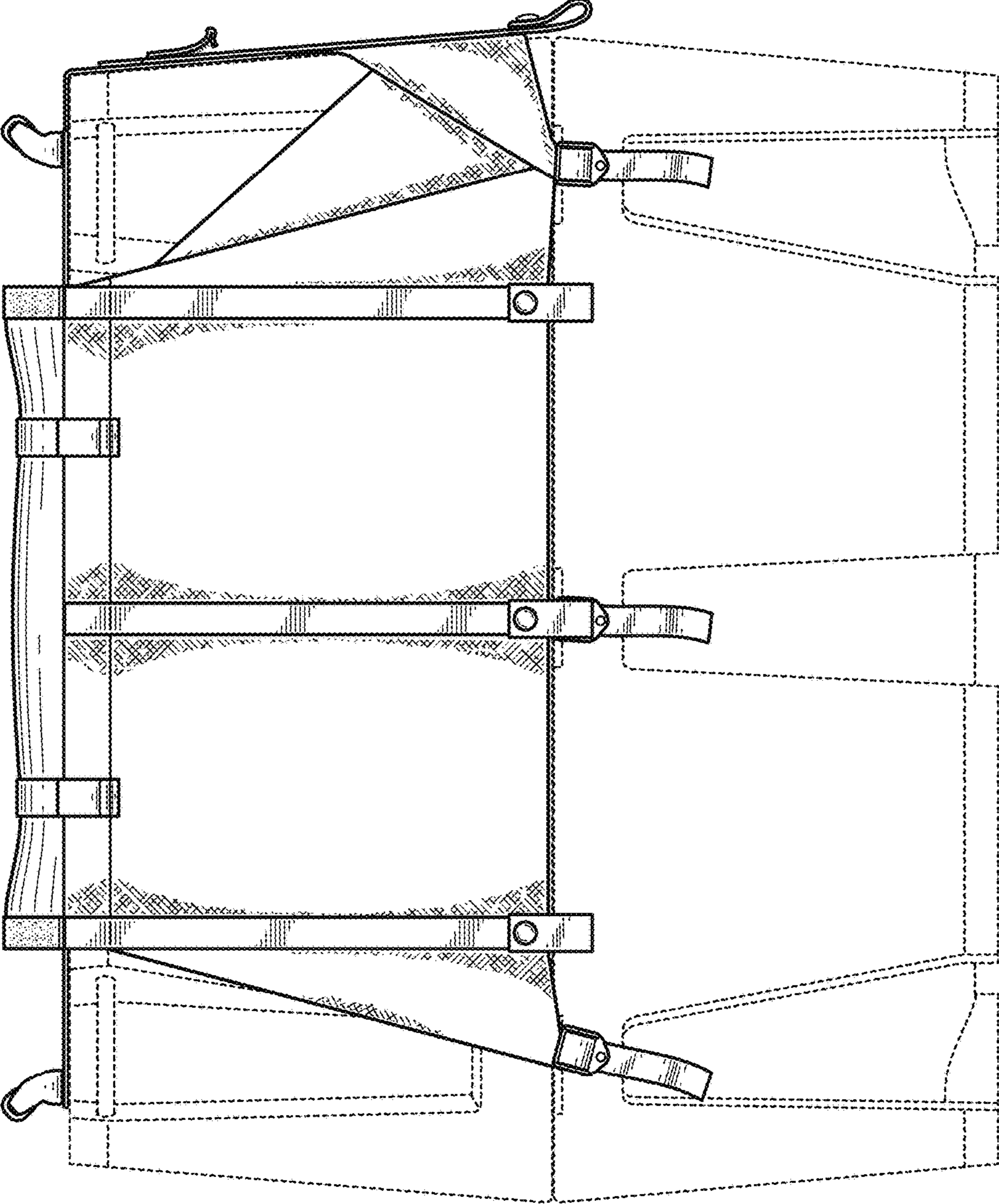


FIG. 3

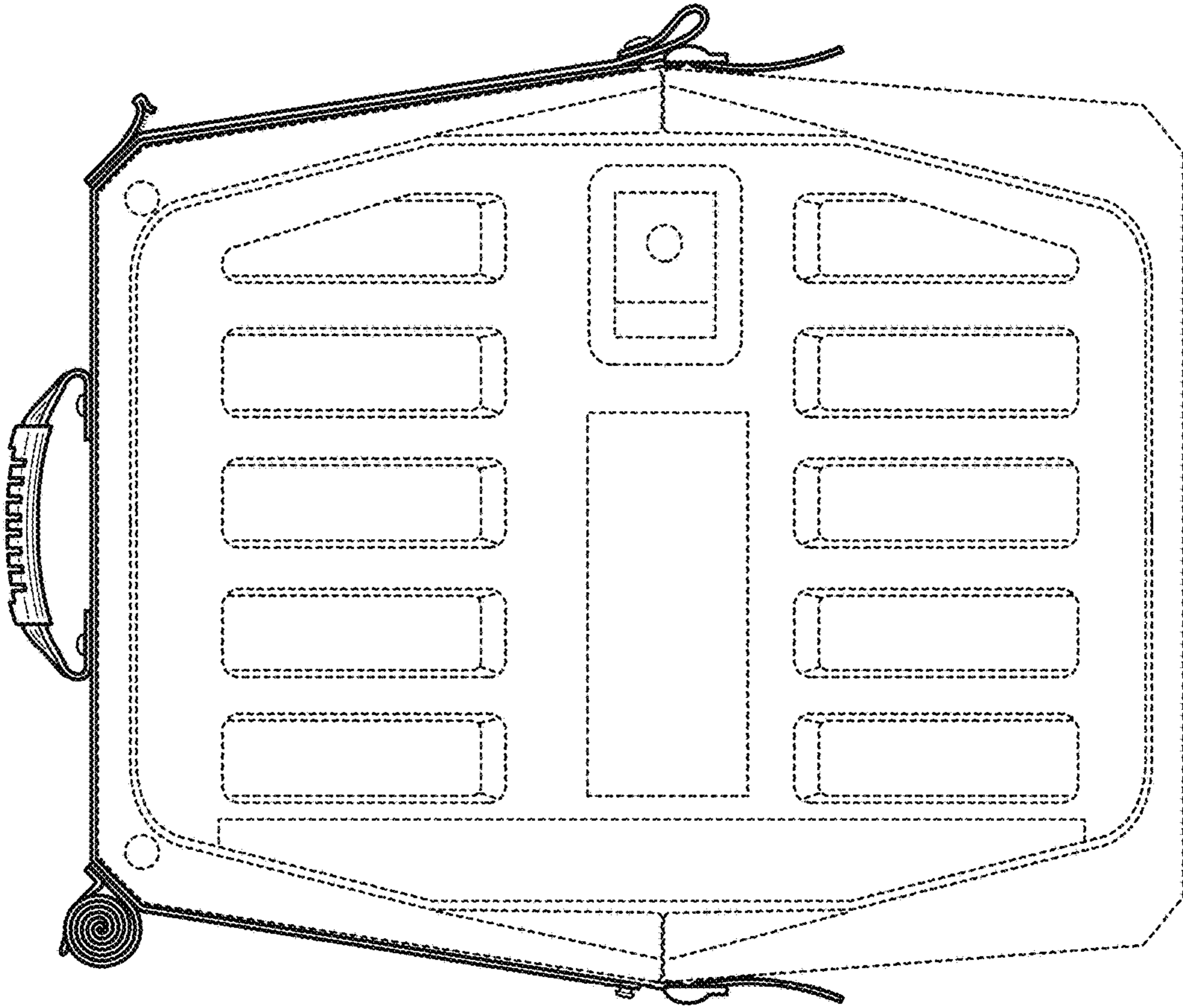


FIG. 4

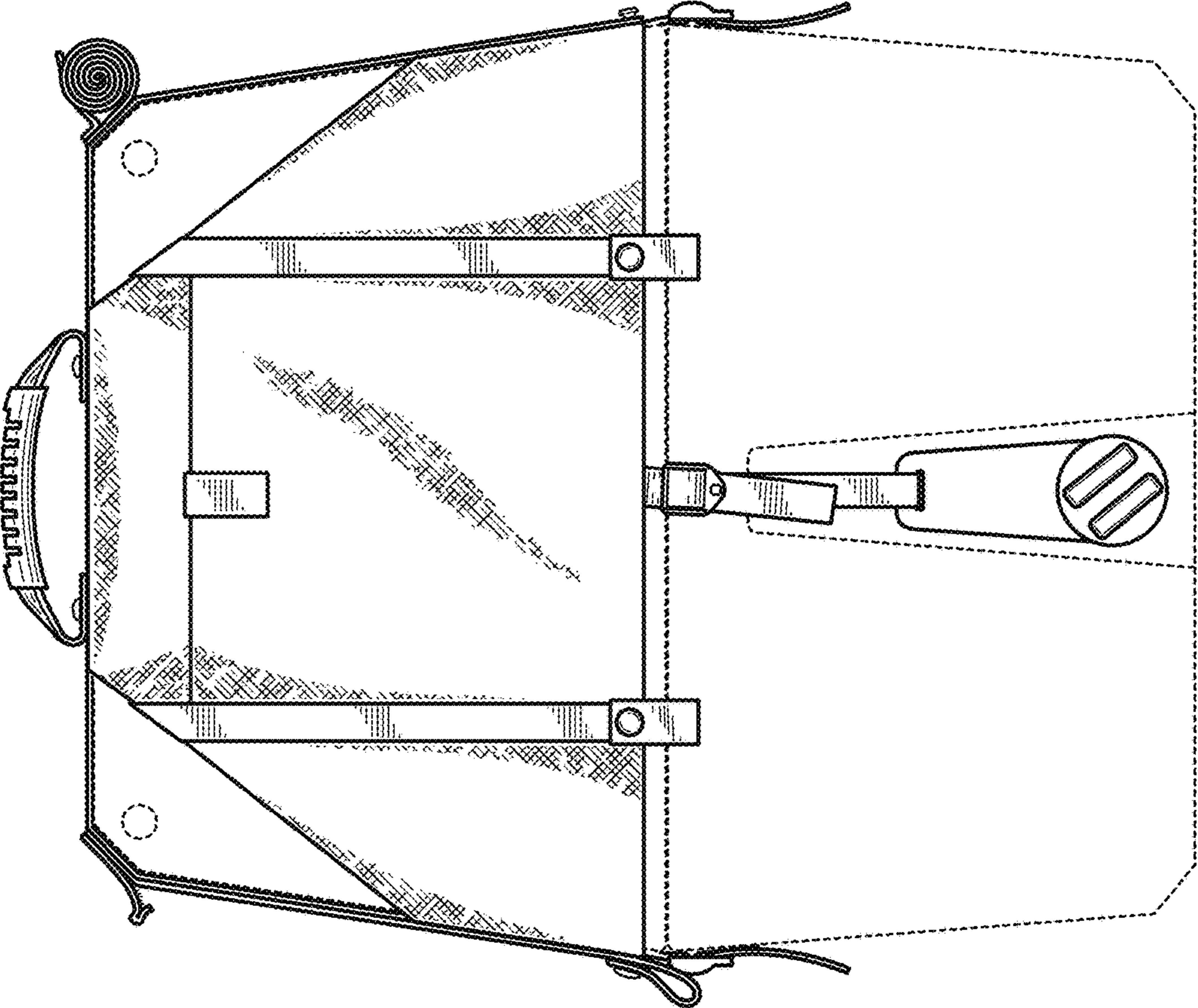


FIG. 5

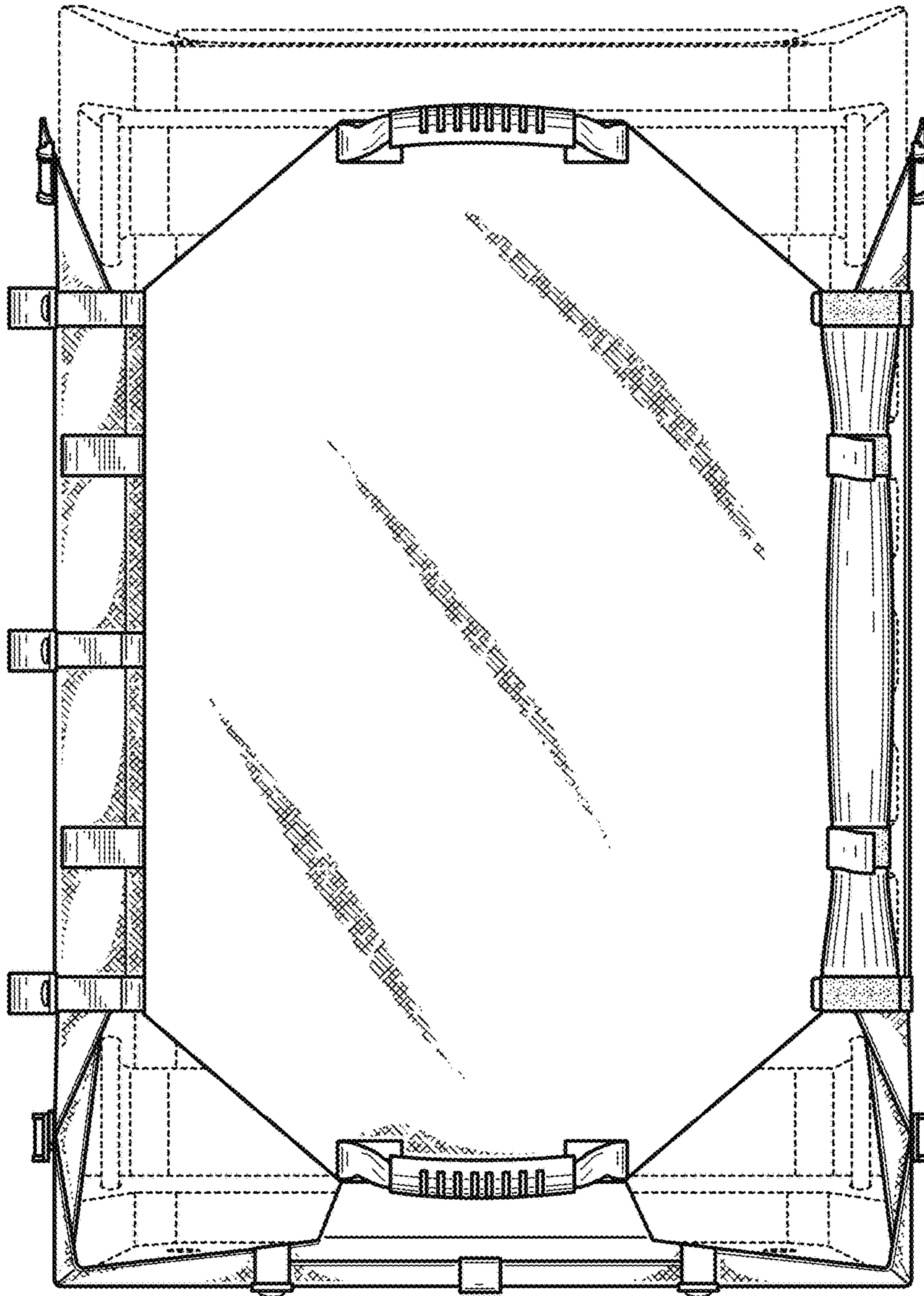


FIG. 6

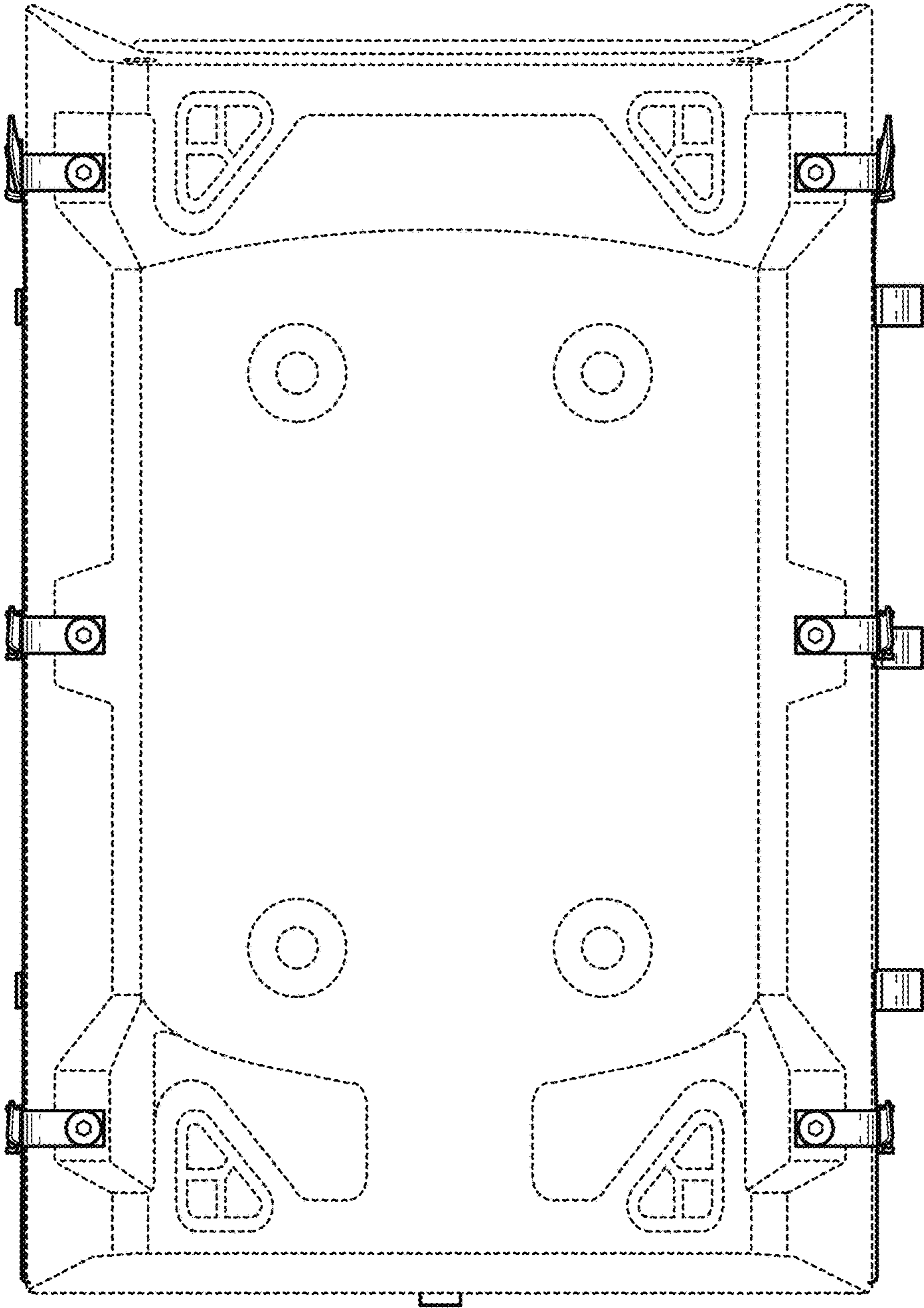


FIG. 7