



US00D822906S

(12) **United States Design Patent**
Salvetti

(10) **Patent No.:** **US D822,906 S**
(45) **Date of Patent:** **** Jul. 10, 2018**

(54) **HELMET**

A42B 3/0406; A42B 3/08; A42B 3/085;
A42B 1/008; A61F 9/06; A63B 71/08;
A63B 7/085; A63B 71/10; A63B 71/12;
A63B 71/1291

(71) Applicant: **NOLANGROUP SPA**, Brembate di
Sopra (Bergamo) (IT)

See application file for complete search history.

(72) Inventor: **Alberto Salvetti**, Bergamo (IT)

(56) **References Cited**

(73) Assignee: **NOLANGROUP SPA**, Brembate di
Sopra (Bergamo) (IT)

U.S. PATENT DOCUMENTS

(**) Term: **15 Years**

D681,281 S * 4/2013 Bologna D29/106
D771,874 S * 11/2016 Chilson D29/102

(21) Appl. No.: **29/618,278**

* cited by examiner

(22) Filed: **Sep. 20, 2017**

Primary Examiner — Randall H Gholson

(30) **Foreign Application Priority Data**

(74) *Attorney, Agent, or Firm* — Lucas & Mercanti, LLP

Jul. 24, 2017 (EM) 004117729-0001

(51) **LOC (11) Cl.** **29-02**

(52) **U.S. Cl.**

USPC **D29/102**

(58) **Field of Classification Search**

USPC D29/100, 102, 106, 108, 110, 122;
D2/865, 880, 881; 2/455, 456, 410, 7,
2/8.2, 424, 425, 9, 468, 171, 205, 206;
128/201.23, 857

CPC A41D 13/05; A41D 13/11; A41D 13/1107;
A41D 13/1161; A41D 13/113; A41D
13/1138; A41D 13/1146; A42B 3/18;
A42B 3/20; A42B 3/205; A42B 3/32;
A42B 3/326; A42B 3/00; A42B 3/04;

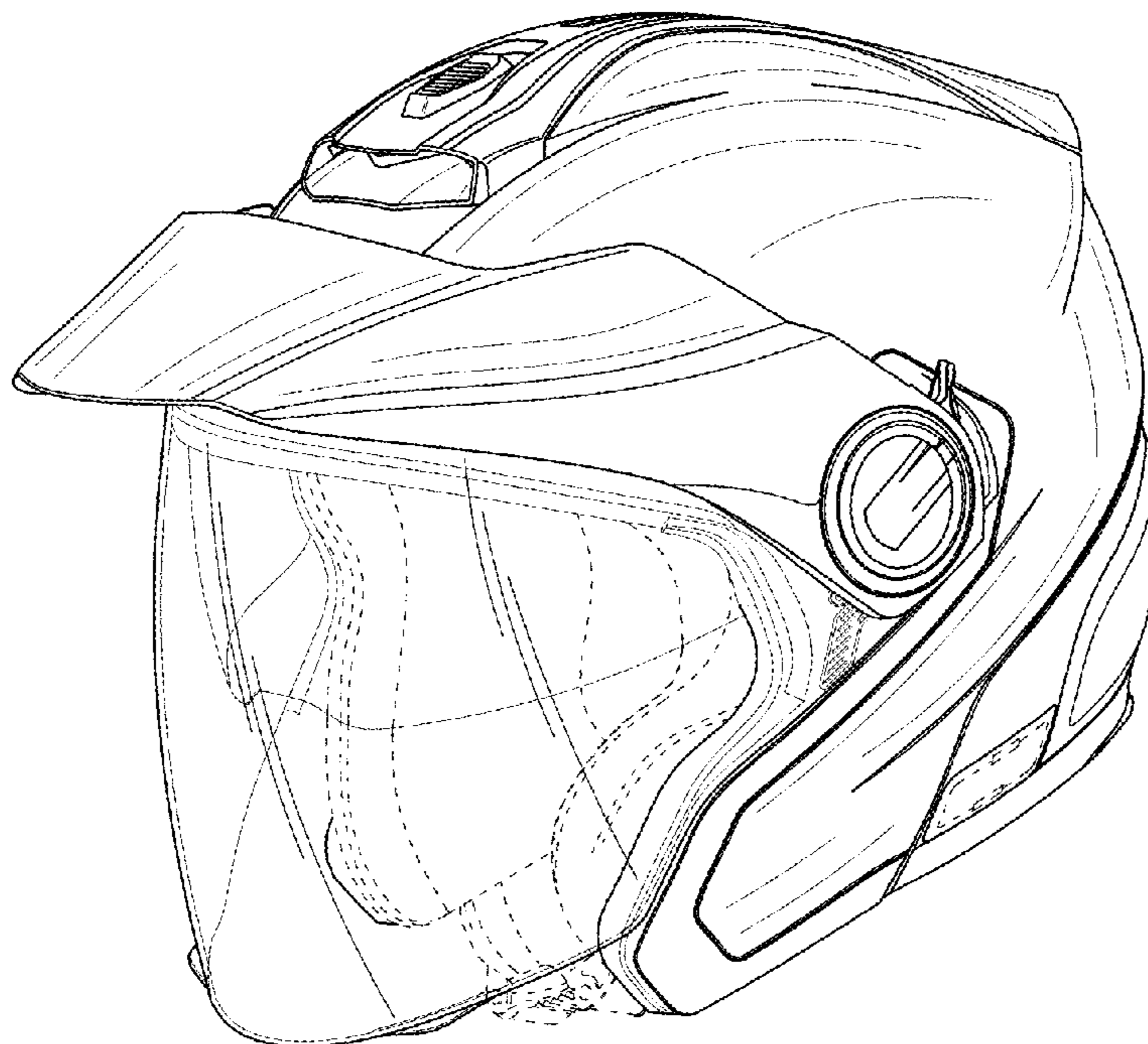
(57) **CLAIM**

The ornamental design for a helmet, as shown and described.

DESCRIPTION

FIG. 1 is a perspective view thereof;
FIG. 2 is a front view thereof;
FIG. 3 is a back view thereof;
FIG. 4 is a first side view thereof;
FIG. 5 is a second side view thereof;
FIG. 6 is a top view thereof; and,
FIG. 7 is a bottom view thereof.
The broken line depicts the unclaimed portion of the helmet.

1 Claim, 7 Drawing Sheets



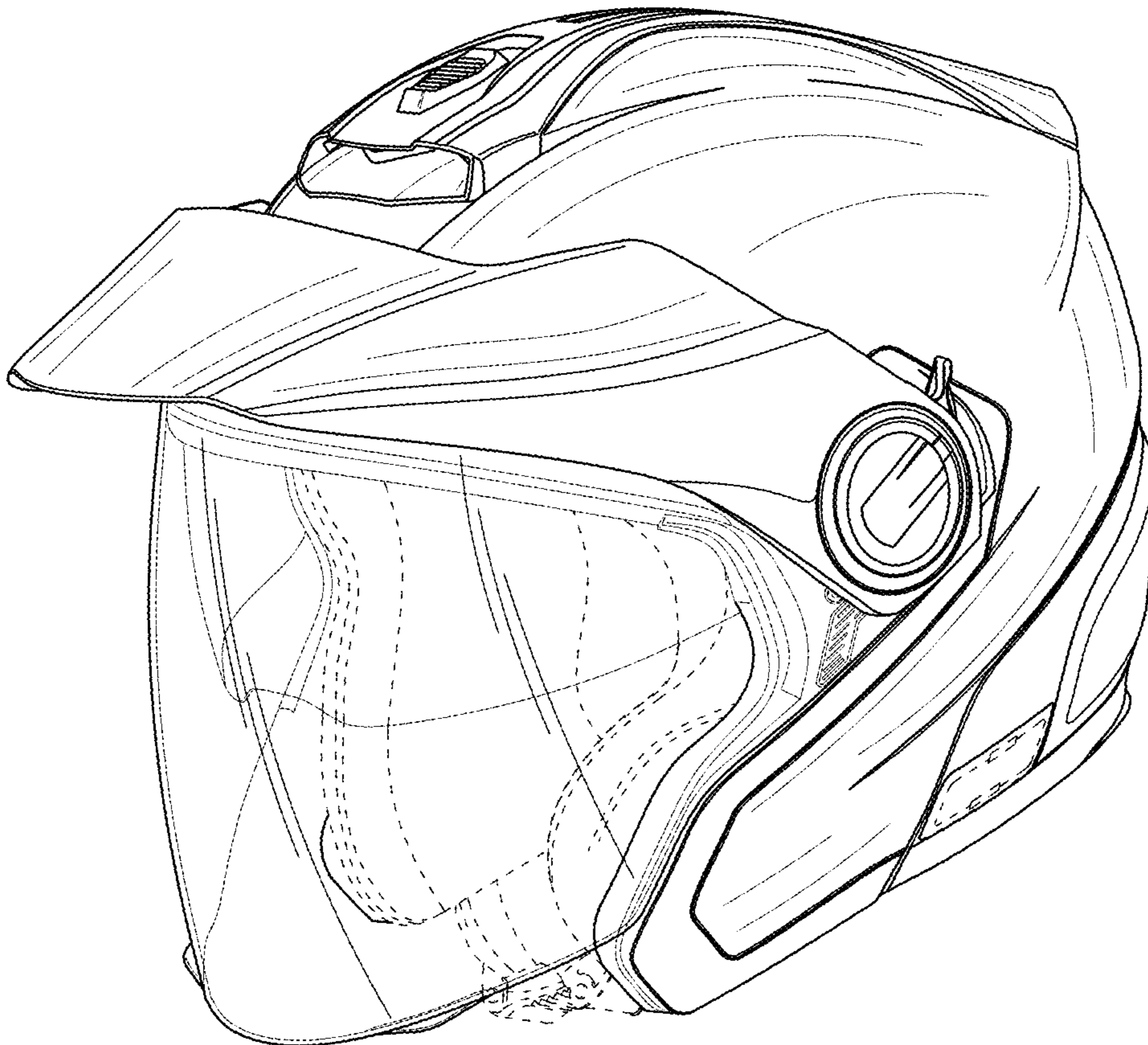


FIG. 1

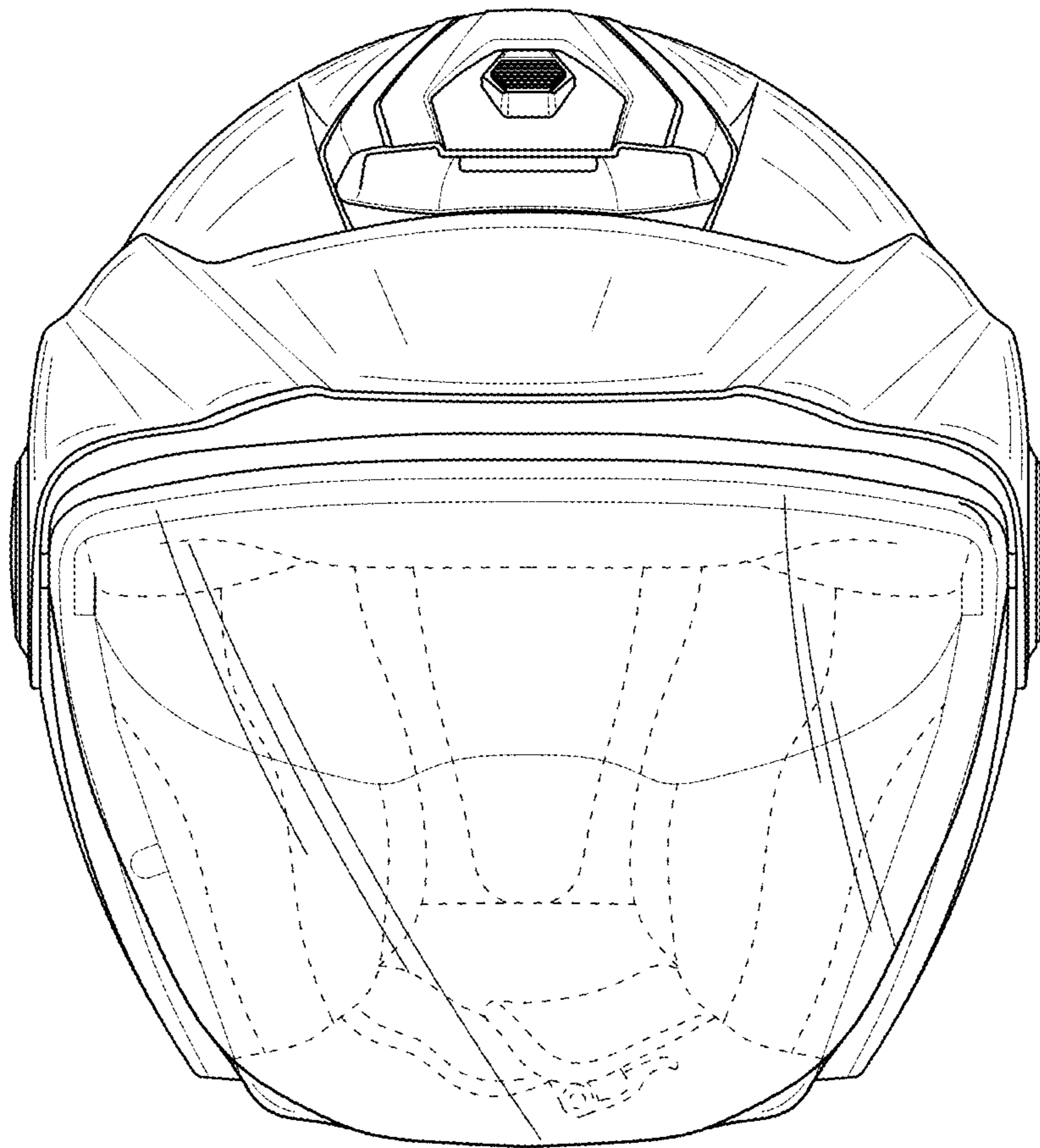


FIG. 2

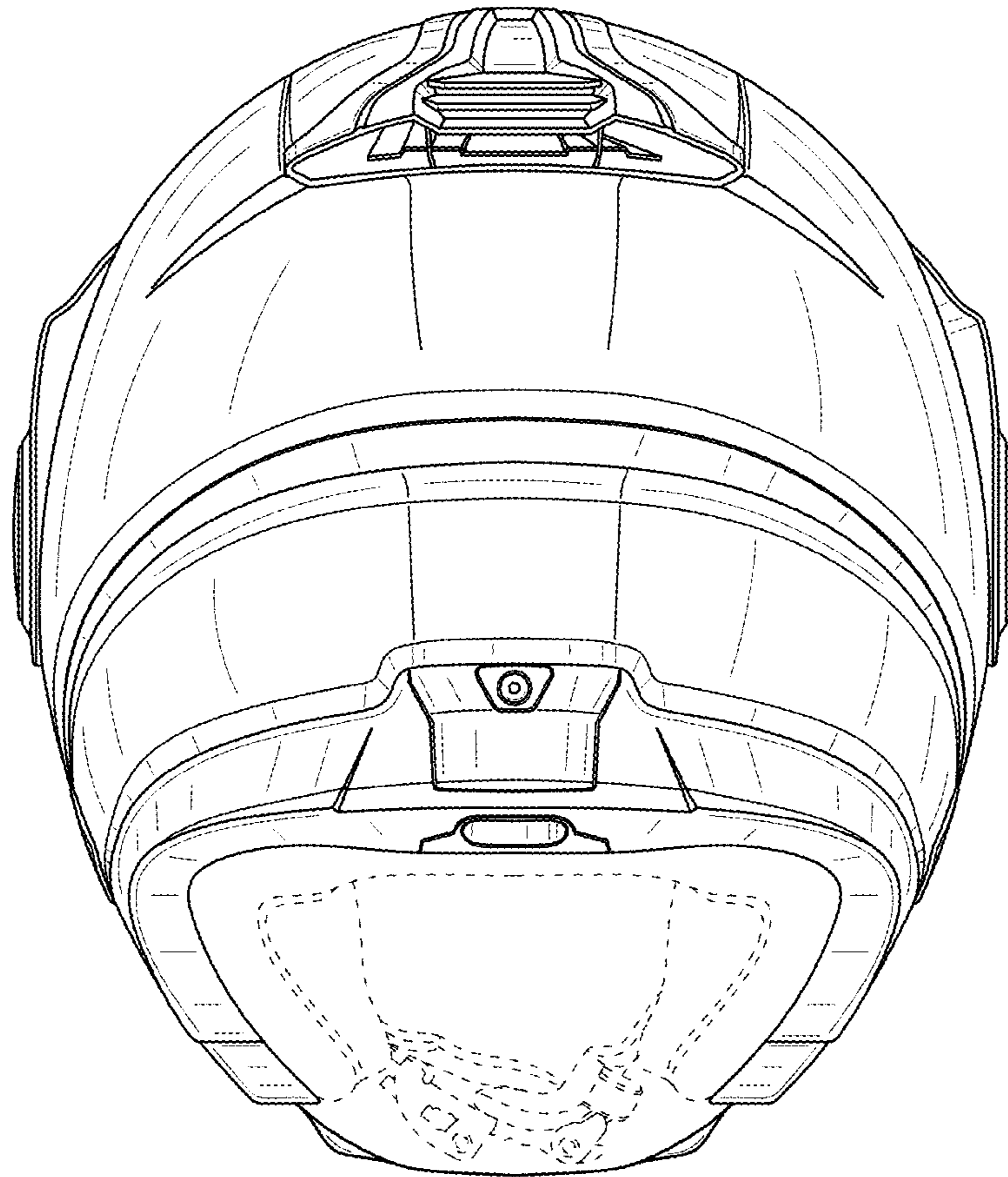


FIG. 3

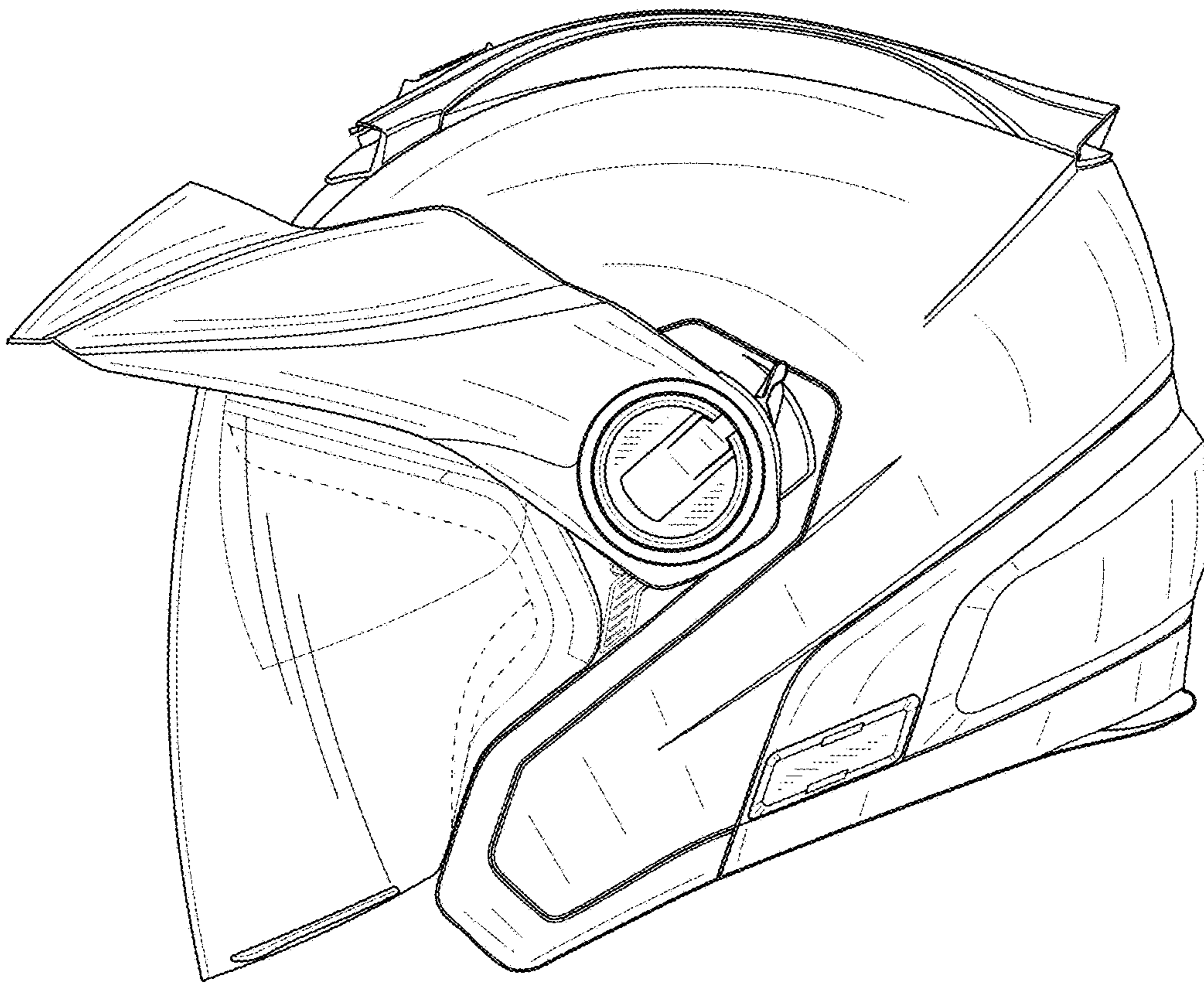


FIG. 4

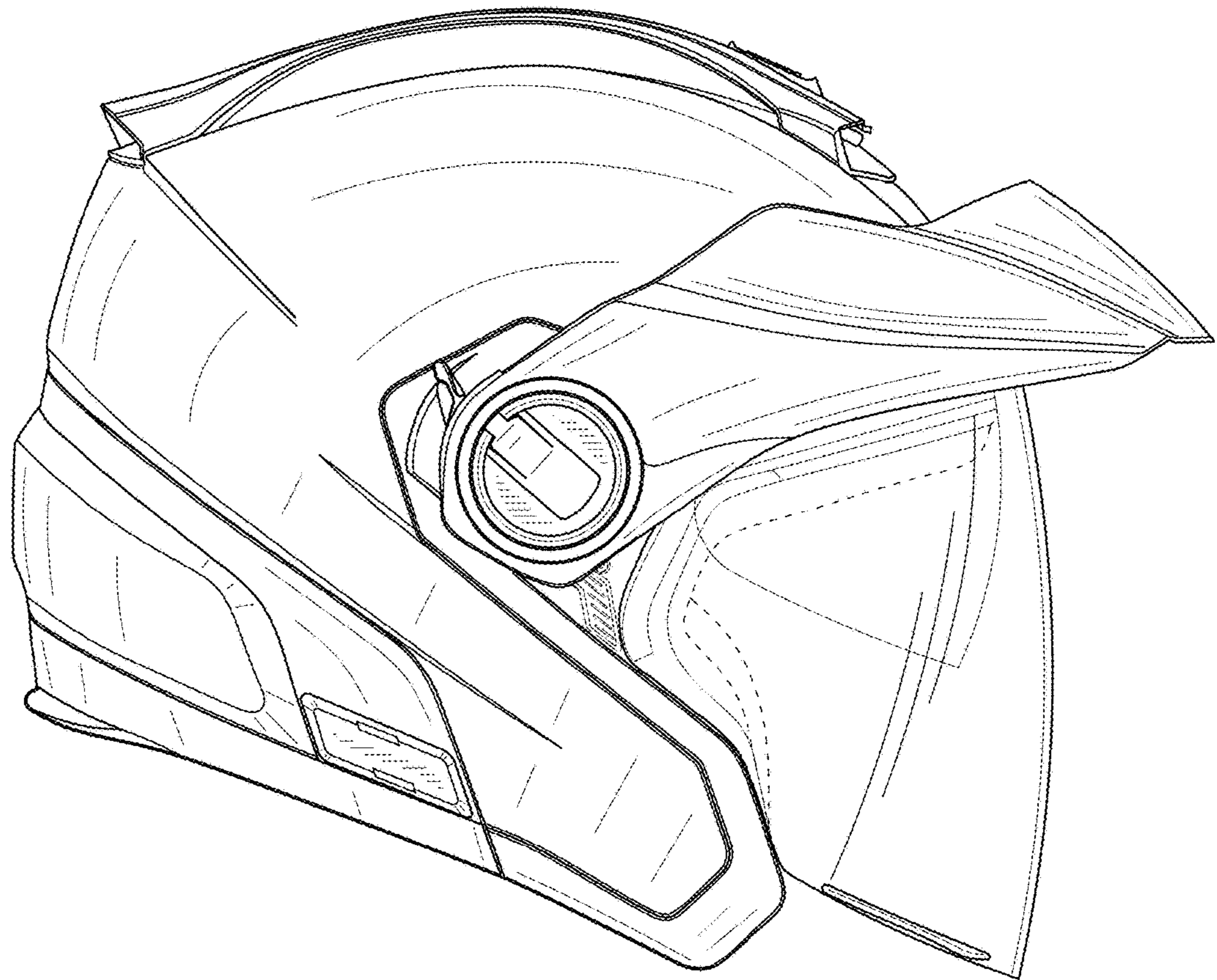


FIG. 5

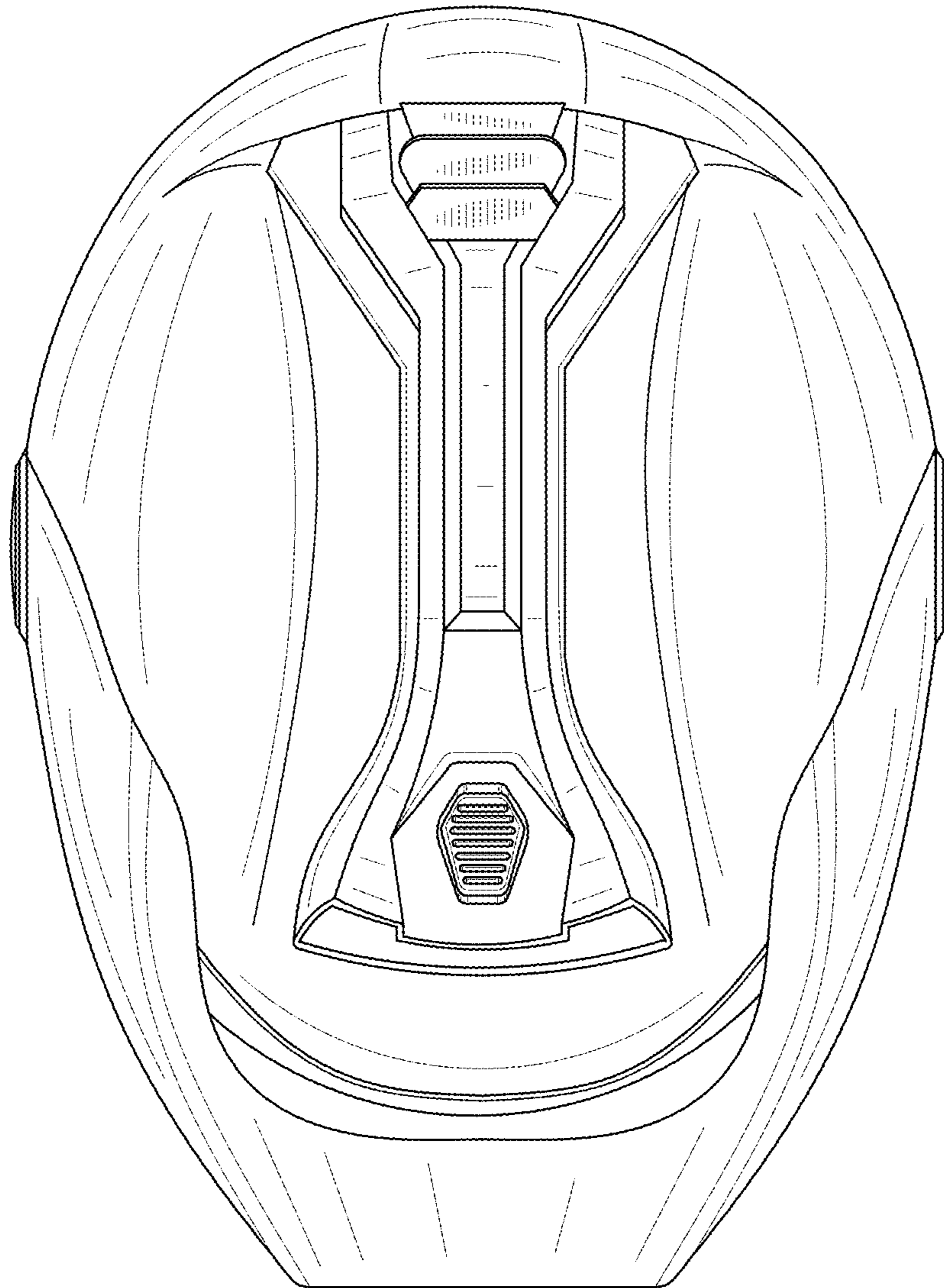


FIG. 6

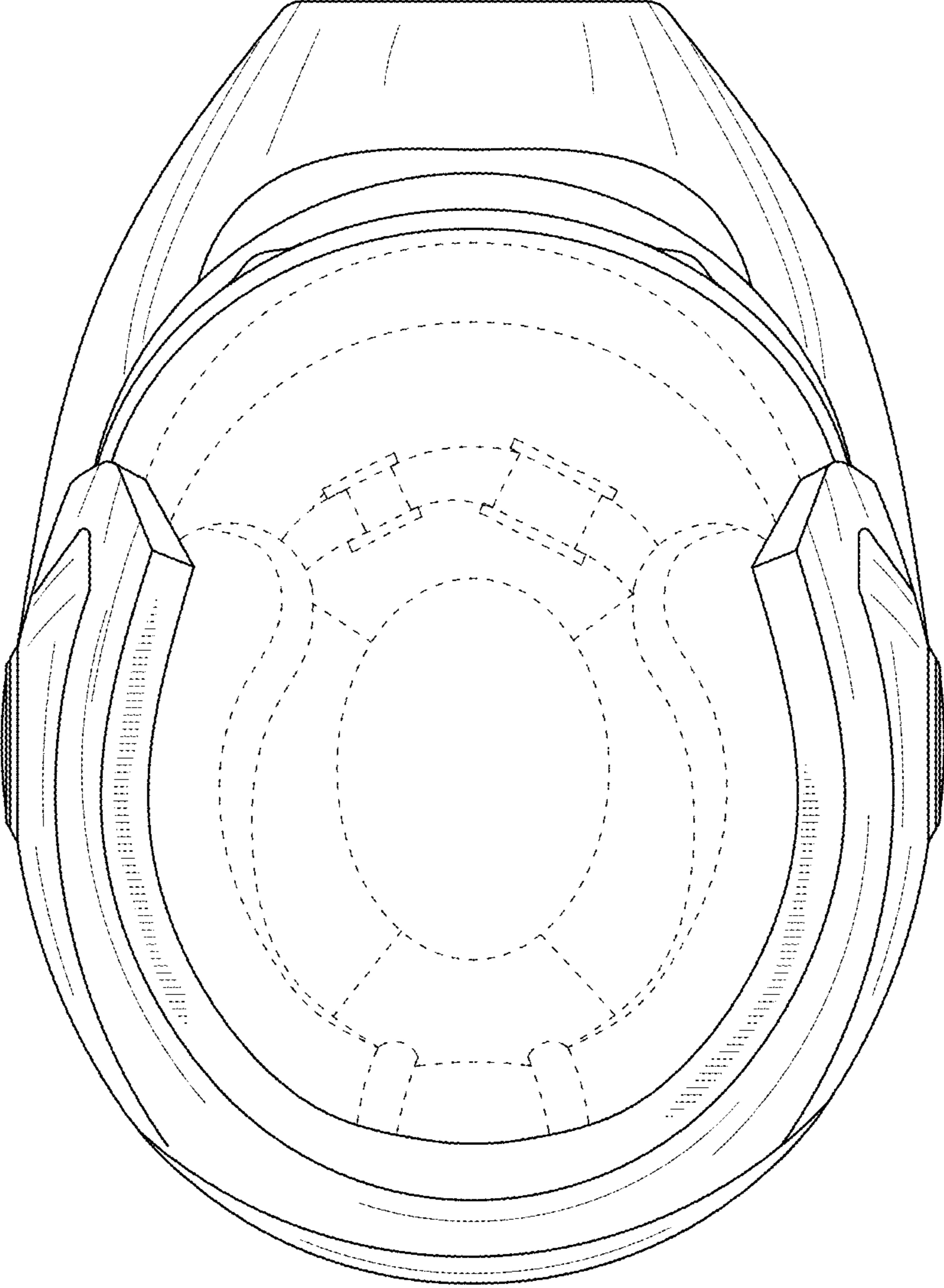


FIG. 7