



US00D822901S

(12) **United States Design Patent**
Shin

(10) **Patent No.:** **US D822,901 S**
(45) **Date of Patent:** **** Jul. 10, 2018**

(54) **RAZOR HANDLE**
(71) Applicant: **Dorco Co., Ltd.**, Seoul (KR)
(72) Inventor: **Seungmi Shin**, Seoul (KR)
(73) Assignee: **Dorco Co., Ltd.**, Seoul (KR)
(**) Term: **15 Years**

D619,763 S *	7/2010	Coresh	D28/48
D628,345 S *	11/2010	Webb	D28/48
D651,345 S *	12/2011	Micinilio	D28/48
D675,048 S *	1/2013	Coresh	D6/524
D694,471 S *	11/2013	Floyd	D28/48
D698,999 S *	2/2014	Otsuka	D28/47
D731,120 S *	6/2015	Otsuka	D28/48
D773,734 S *	12/2016	Li	D28/48
9,616,584 B2 *	4/2017	Coresh	B26B 21/521
2015/0266192 A1 *	9/2015	Coresh	B26B 21/521 30/526

(21) Appl. No.: **29/578,376**

(22) Filed: **Sep. 21, 2016**

(30) **Foreign Application Priority Data**

Mar. 22, 2016 (KR) 30-2016-0013129

(51) **LOC (11) Cl.** **28-03**

(52) **U.S. Cl.**
USPC **D28/48**

(58) **Field of Classification Search**
USPC D28/46-48
CPC B26B 21/08-21/32; B26B 21/34-21/38;
B26B 21/446; B26B 21/405-21/4062;
B26B 21/52-21/528; B26B
21/4068-21/4075
See application file for complete search history.

(56) **References Cited**

U.S. PATENT DOCUMENTS

D285,341 S *	8/1986	Audette	D24/147
6,792,682 B2 *	9/2004	Follo	B26B 21/222 30/50

* cited by examiner

Primary Examiner — Jennifer Rivard

(74) *Attorney, Agent, or Firm* — Perkins Coie LLP

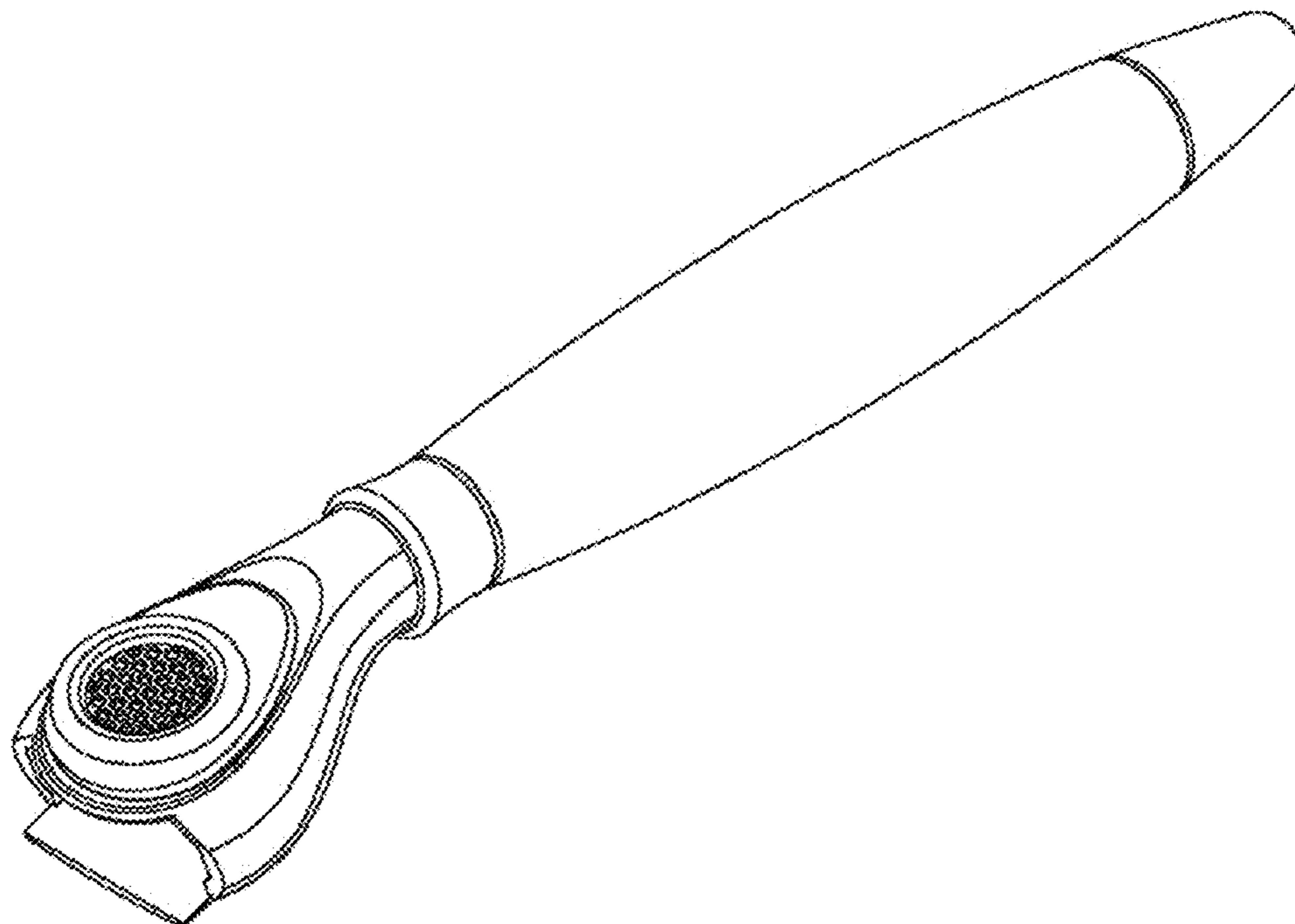
(57) **CLAIM**

The ornamental design for a razor handle, as shown and described.

DESCRIPTION

FIG. 1 is a perspective view of a razor handle showing my new design;
FIG. 2 is a front view of the razor handle;
FIG. 3 is a rear view of the razor handle;
FIG. 4 is a left side view of the razor handle;
FIG. 5 is a right side view of the razor handle;
FIG. 6 is a top plan view of the razor handle; and,
FIG. 7 is a bottom plan view of the razor handle.

1 Claim, 4 Drawing Sheets



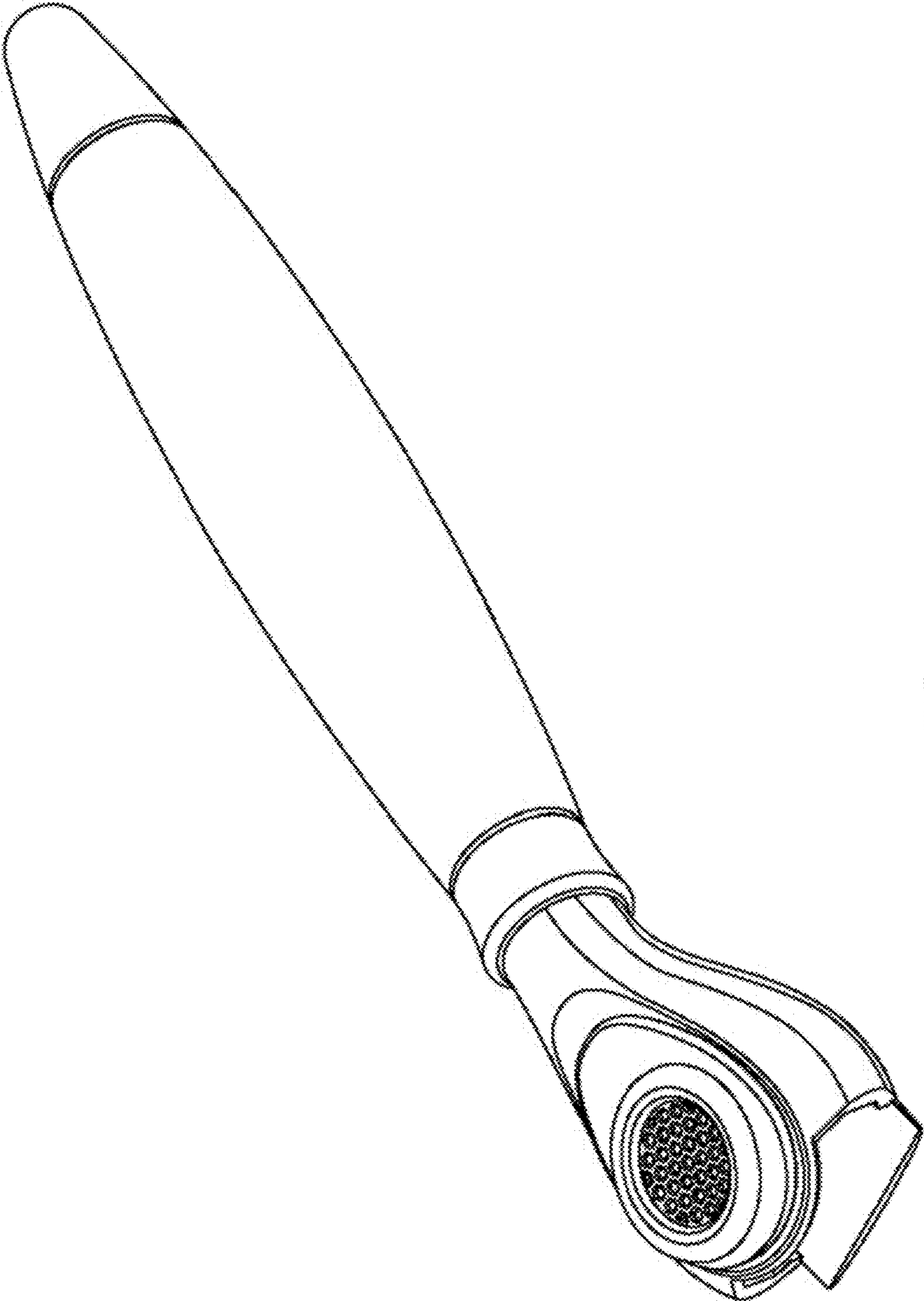


FIG. 1

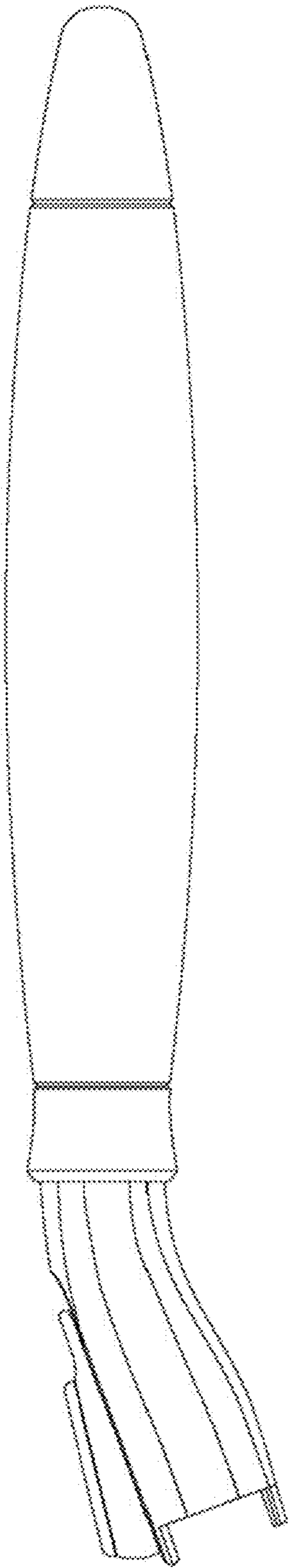


FIG. 2

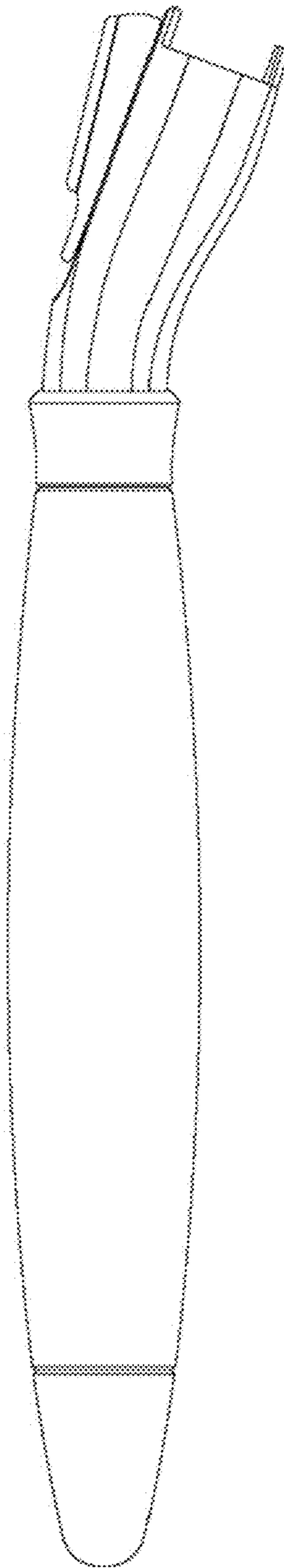


FIG. 3

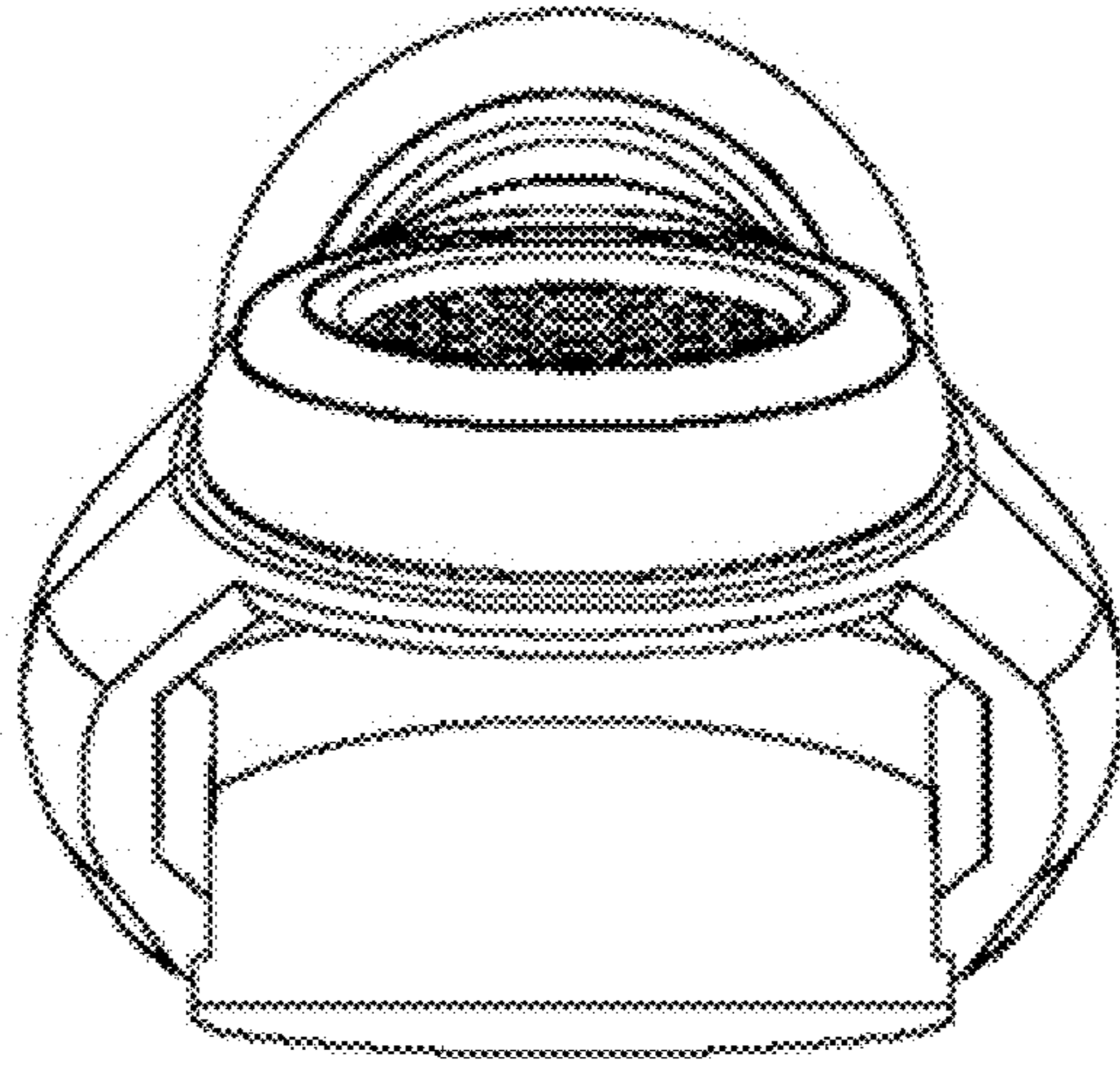


FIG. 4

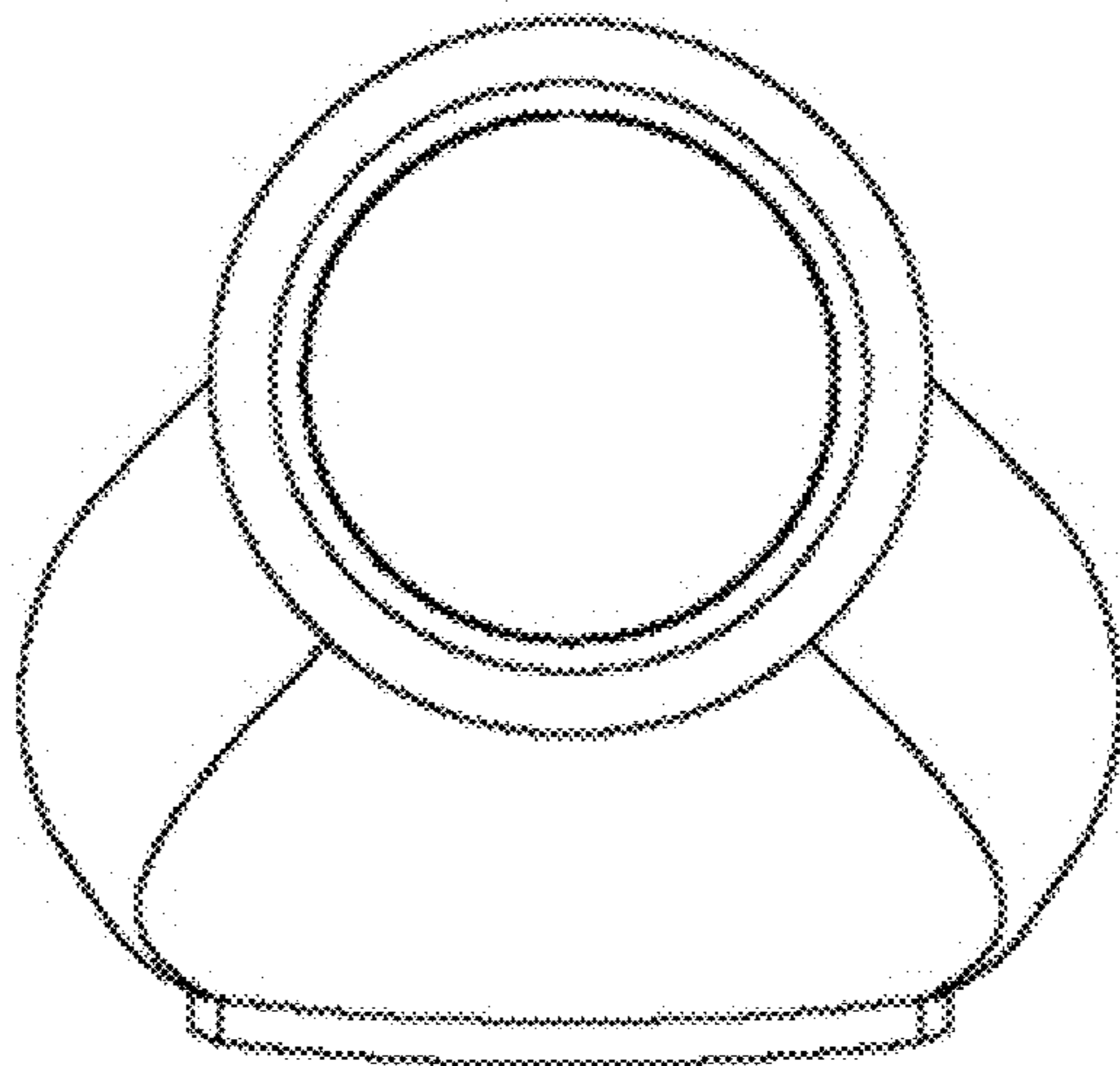


FIG. 5

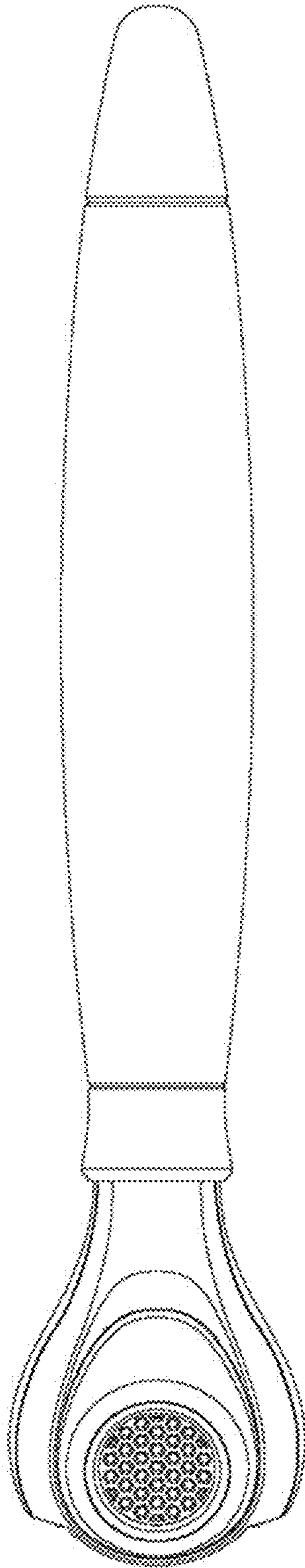


FIG. 6

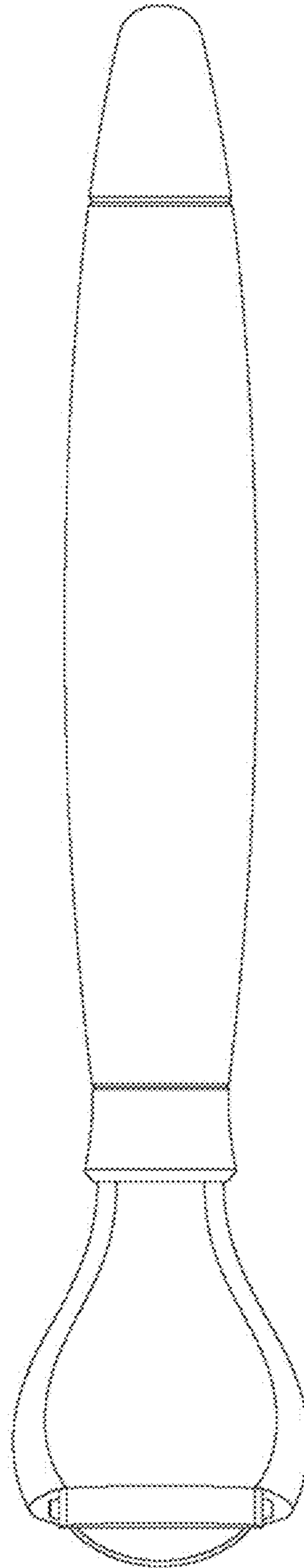


FIG. 7