



US00D822900S

(12) **United States Design Patent** (10) **Patent No.:** **US D822,900 S**
Pavis et al. (45) **Date of Patent:** **** Jul. 10, 2018**

(54) **HAIRDRYER WITH TOUCHSCREEN**

(71) Applicant: **Mohawk Innovations Limited**, City Centre (IE)

(72) Inventors: **Sarah Pavis**, Brooklyn, NY (US); **David Michael Sutton**, Brooklyn, NY (US)

(73) Assignee: **Mohawk Innovations, Ltd.**, Dublin (IE)

(**) Term: **15 Years**

(21) Appl. No.: **29/577,740**

(22) Filed: **Sep. 15, 2016**

(51) **LOC (11) Cl.** **28-03**

(52) **U.S. Cl.**
USPC **D28/15**

(58) **Field of Classification Search**
USPC D24/13, 12, 10, 19, 24; 34/96, 97, 98; 392/380, 379, 383-385
CPC A45D 20/12; A45D 20/00; A45D 20/10; A45D 20/04; A45D 20/08; A45D 20/122; A45D 20/124; A45D 20/128
See application file for complete search history.

(56) **References Cited**

U.S. PATENT DOCUMENTS

D518,919 S * 4/2006 Parodi D28/13
D528,698 S * 9/2006 Rizzuto, Jr. D28/13
D537,565 S 2/2007 Shin
D544,147 S * 6/2007 Baudouin D28/13

D604,898 S * 11/2009 Parodi D28/13
D606,247 S * 12/2009 Yu D28/13
D617,047 S * 6/2010 Kim D28/13
D637,347 S * 5/2011 Schmitz D28/13
D678,607 S * 3/2013 Parodi D28/13
D681,275 S * 4/2013 Huang D28/13
D690,054 S 9/2013 Shari et al.
D715,485 S * 10/2014 Parodi A45D 20/12
D726,958 S * 4/2015 Spagnolo D28/13
D758,657 S * 6/2016 Hary D28/13
2007/0047930 A1* 3/2007 Cafaro A45D 20/12
392/385
2009/0083986 A1* 4/2009 Langley A45D 19/16
34/98
2014/0090266 A1* 4/2014 Rodrigues A45D 20/12
34/97

* cited by examiner

Primary Examiner — Susan Bennett Hattan
Assistant Examiner — Rebecca Tsehaye
(74) *Attorney, Agent, or Firm* — Emily Nalven

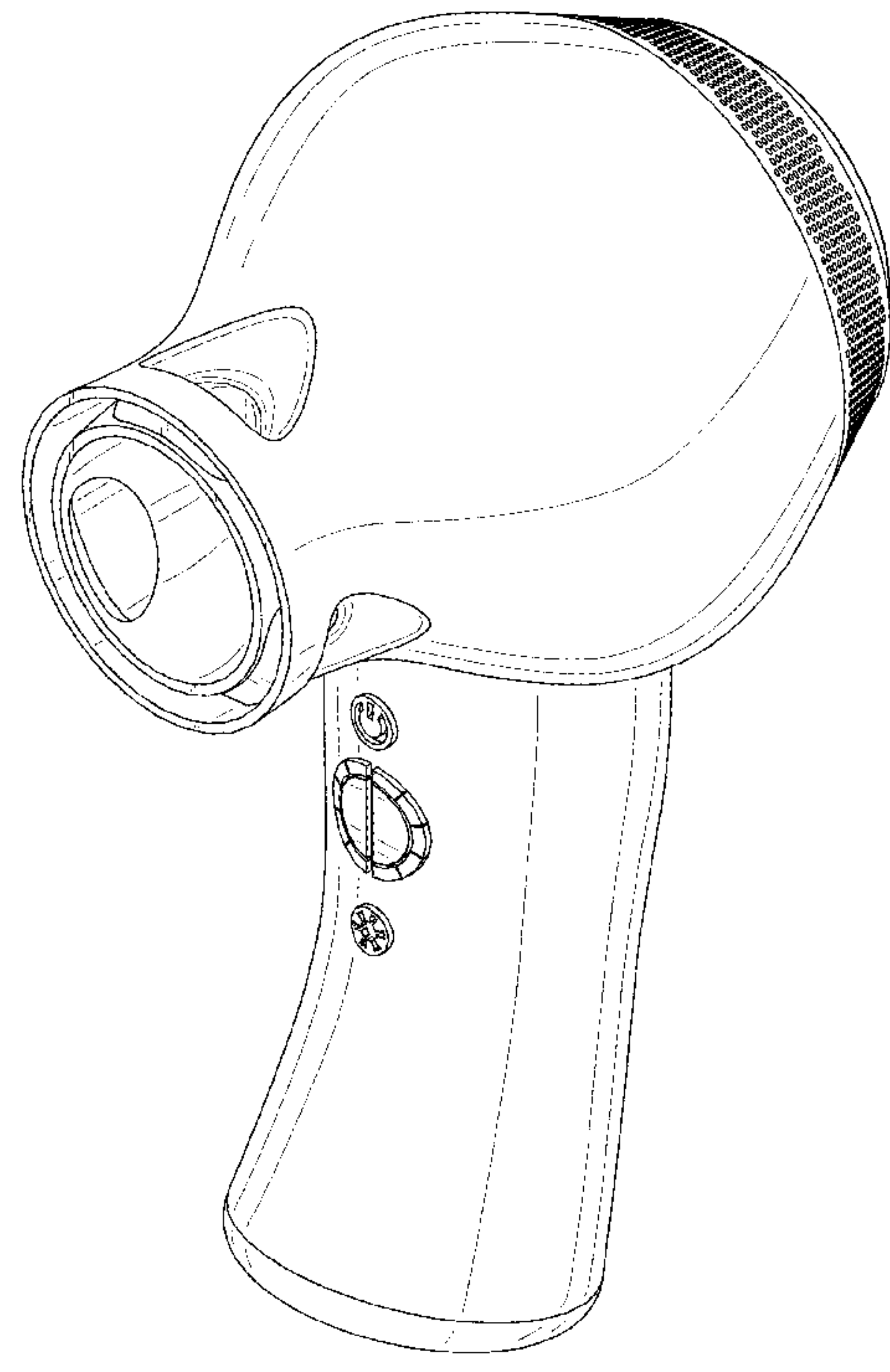
(57) **CLAIM**

The ornamental design for a hairdryer with touchscreen, as shown and described.

DESCRIPTION

FIG. 1 is a front perspective view of a hairdryer with touchscreen; and
FIG. 2 is a rear perspective view thereof; and
FIG. 3 is a back view thereof; and
FIG. 4 is a front view thereof; and,
FIG. 5 is a side view of the hairdryer with touchscreen.

1 Claim, 5 Drawing Sheets



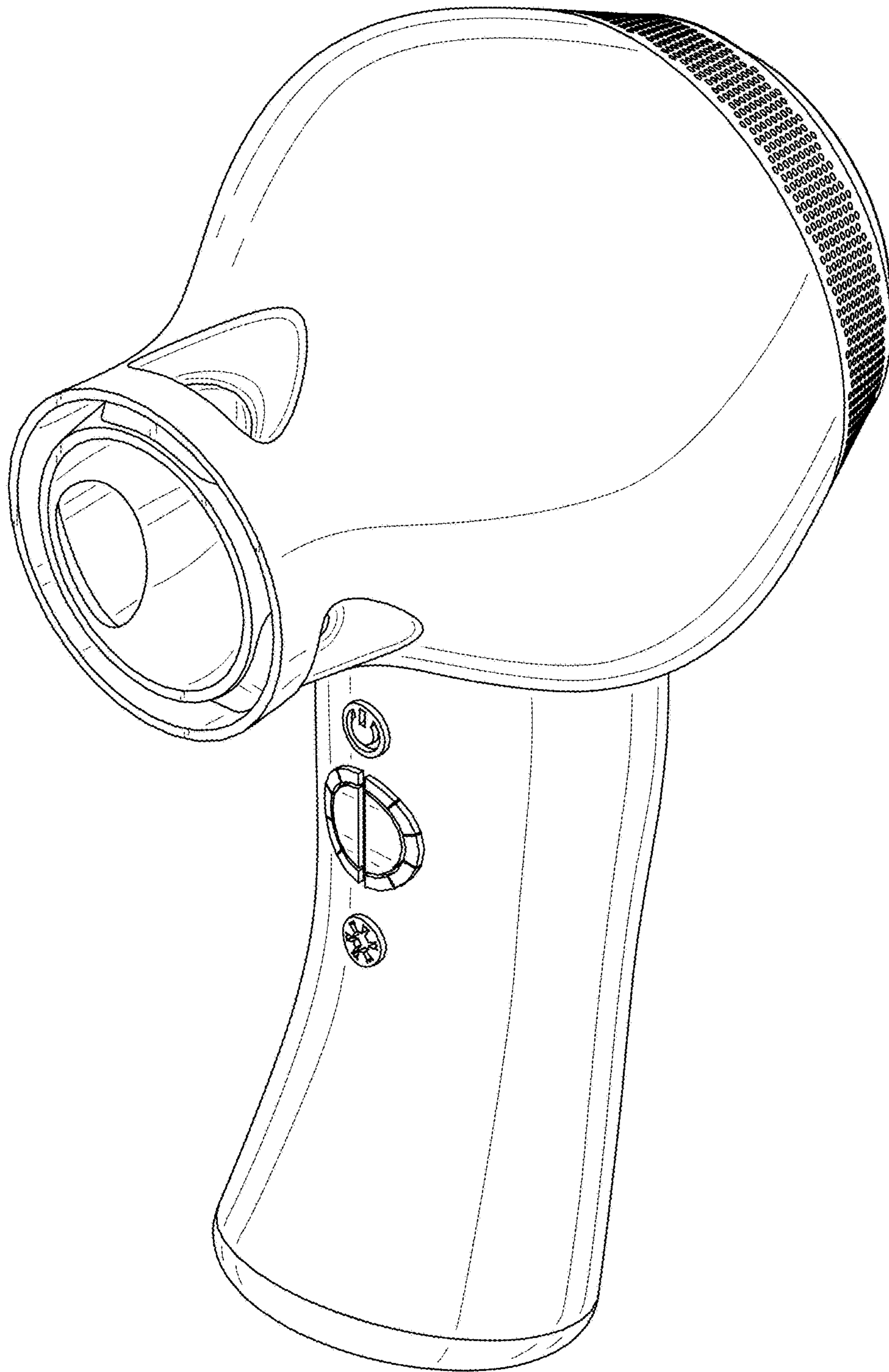


FIG. 1

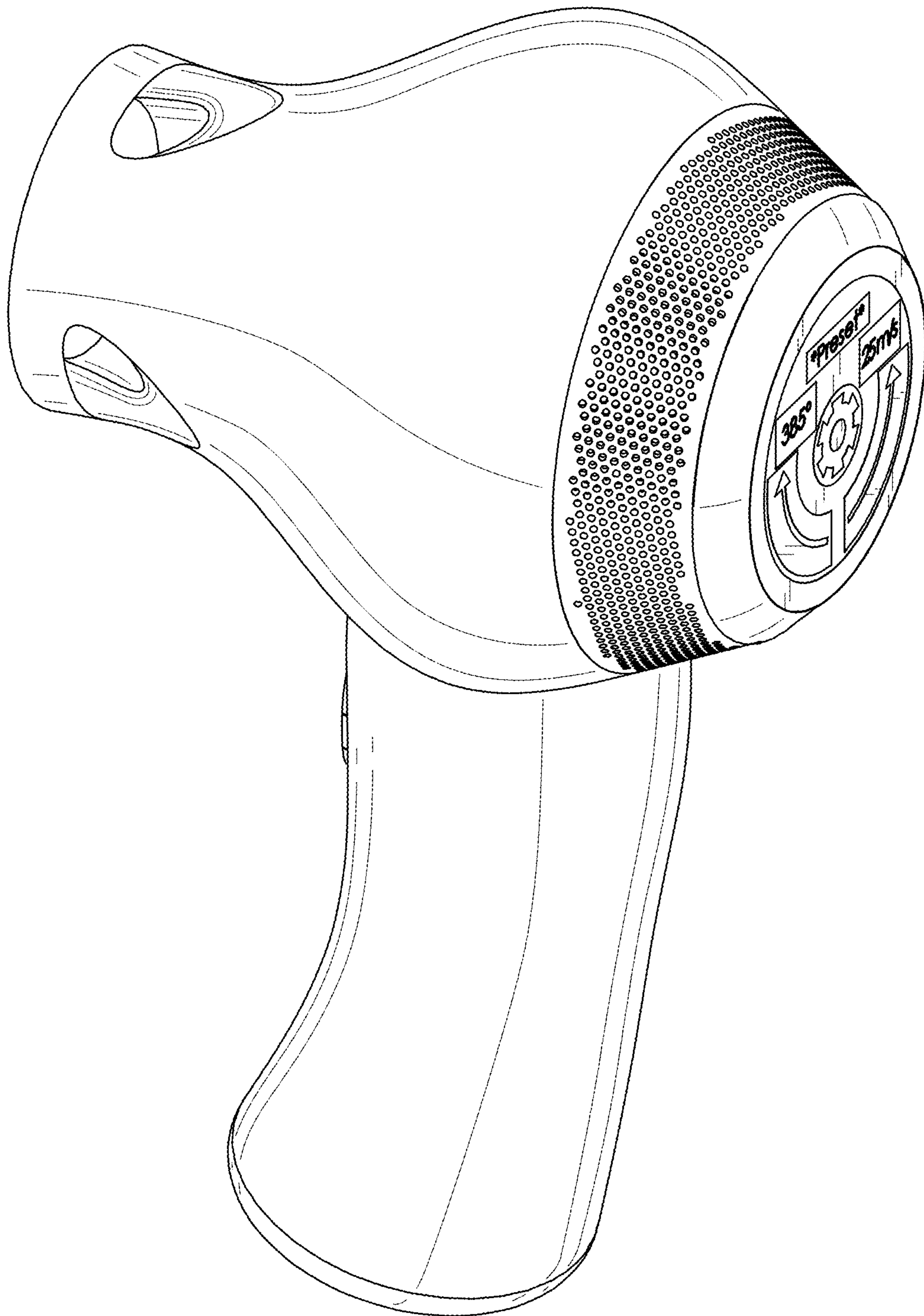


FIG. 2

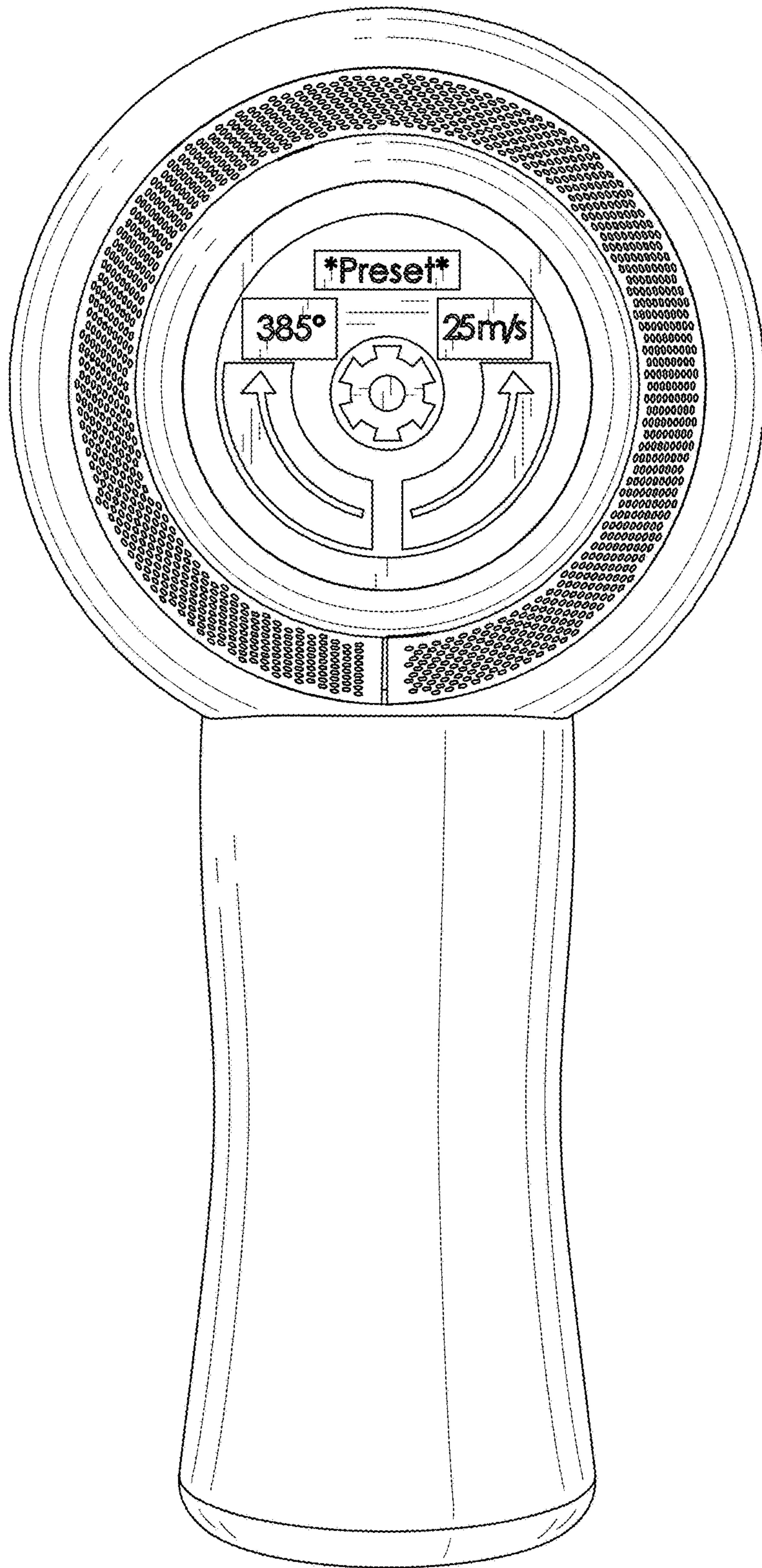


FIG. 3

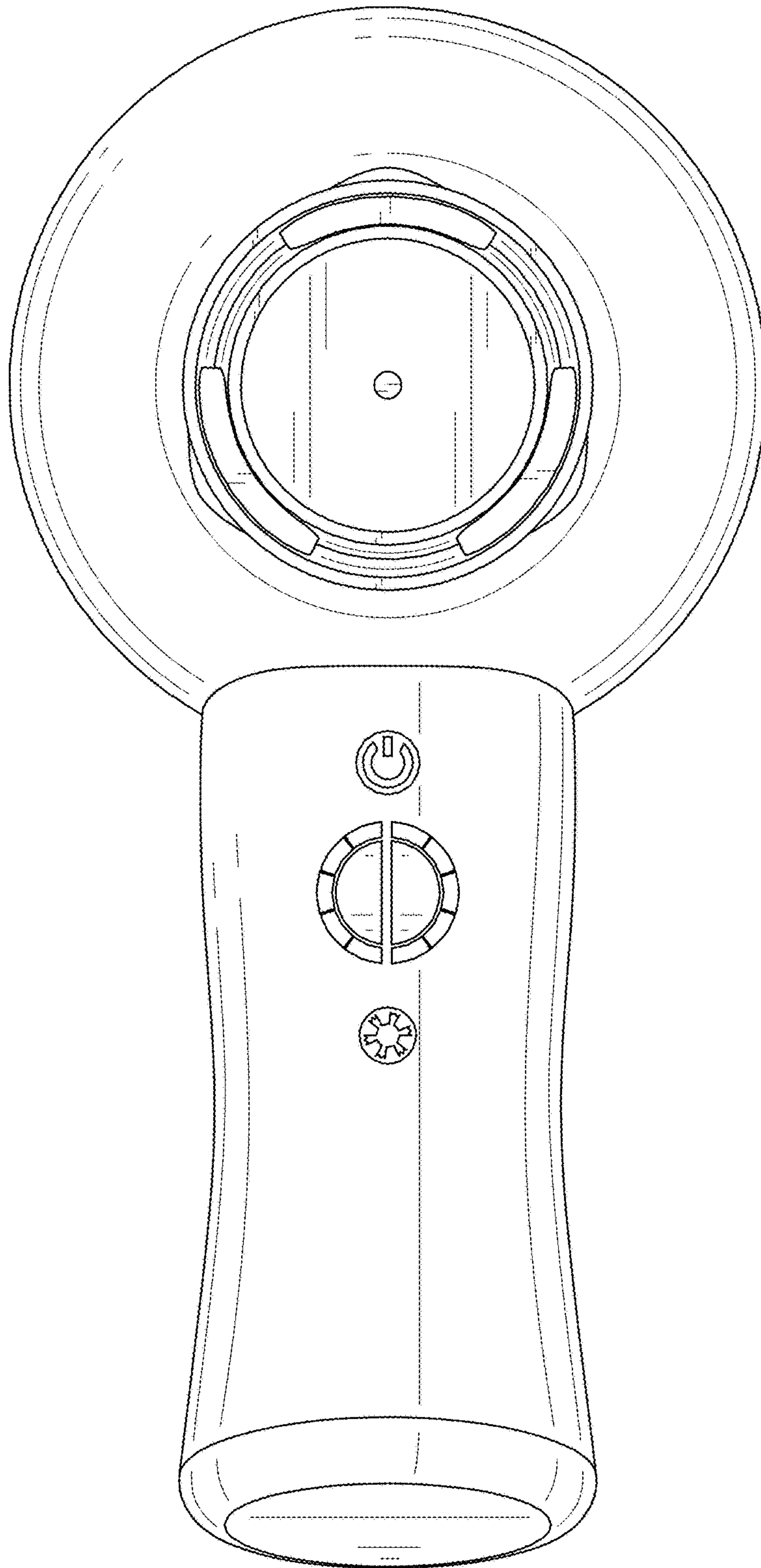


FIG. 4

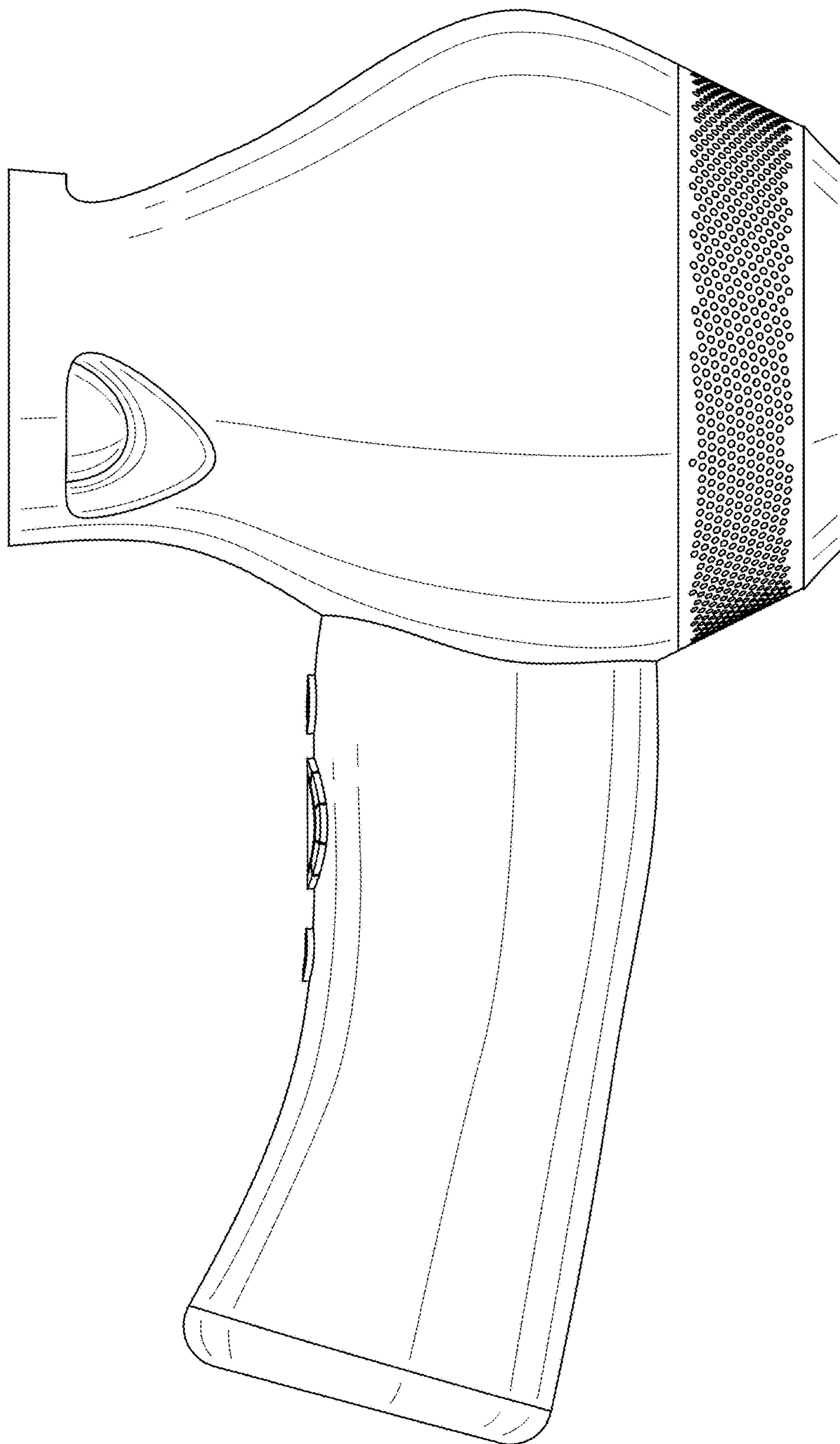


FIG. 5