



US00D822898S

(12) **United States Design Patent** (10) **Patent No.:** **US D822,898 S**
Ruiz (45) **Date of Patent:** **** Jul. 10, 2018**

(54) **CIGAR STORAGE TUBE**

(71) Applicant: **Zacory Ruiz**, Miami Beach, FL (US)

(72) Inventor: **Zacory Ruiz**, Miami Beach, FL (US)

(**) Term: **15 Years**

(21) Appl. No.: **29/609,239**

(22) Filed: **Jun. 29, 2017**

(51) **LOC (11) Cl.** **27-06**

(52) **U.S. Cl.**
 USPC **D27/191**

(58) **Field of Classification Search**
 USPC D27/191, 190, 183, 189, 172-175, 186,
 D27/187; D3/224, 229, 302, 273;
 D9/648, 643, 711, 545, 454; 206/265,
 206/269, 274
 CPC A24F 15/005; A24F 15/20
 See application file for complete search history.

D505,747 S * 5/2005 Zilberman D27/189
 D535,054 S * 1/2007 Zilberman D27/189
 D541,165 S * 4/2007 Rashid D27/190
 D565,790 S * 4/2008 Eisman D27/161
 D573,303 S 7/2008 Fuente
 D595,453 S * 6/2009 Parsons D27/189
 D618,392 S * 6/2010 LoRe D27/172
 D636,119 S * 4/2011 Worlock D27/161
 D735,935 S * 8/2015 Burrell D27/183
 D736,460 S * 8/2015 McKeon D27/189

* cited by examiner

Primary Examiner — Susan Bennett Hattan
Assistant Examiner — Rebecca Tsehaye
 (74) *Attorney, Agent, or Firm* — Eric Karich; Karich & Associates

(57) **CLAIM**
 The ornamental design for a cigar storage tube, as shown and described.

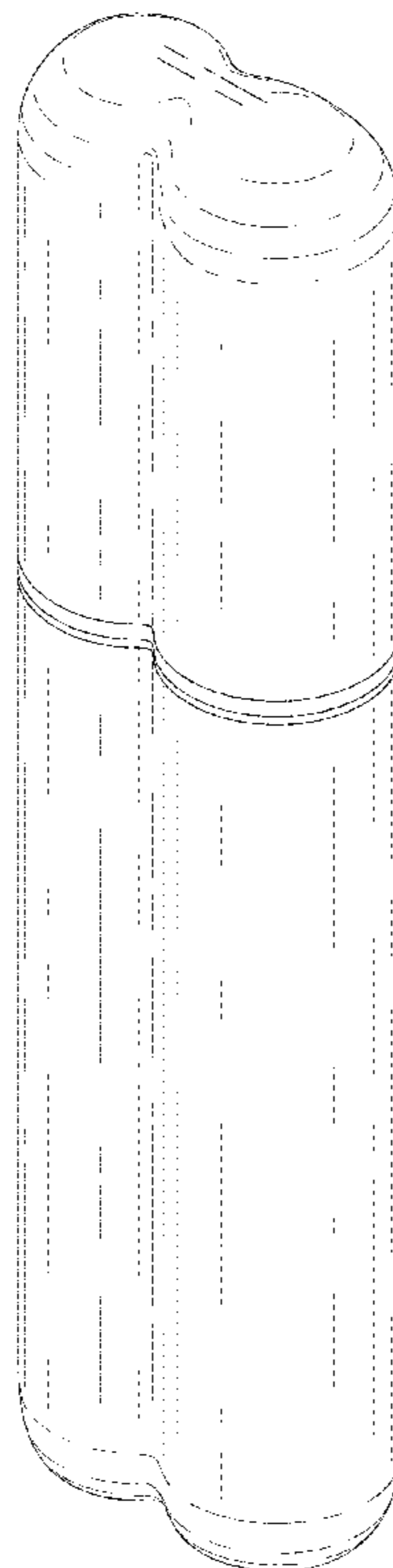
DESCRIPTION

FIG. 1 is a perspective view of a cigar storage tube, showing my new design;
 FIG. 2 is a front elevational view thereof;
 FIG. 3 is a rear elevational view thereof;
 FIG. 4 is a left side elevational view thereof
 FIG. 5 is a right side elevational view thereof;
 FIG. 6 is a top plan view thereof;
 FIG. 7 is a bottom plan view thereof; and,
 FIG. 8 is an exploded perspective view thereof.
 The broken lines in the drawings depict portions of the cigar storage tube that form no part of the claimed design.

(56) **References Cited**
 U.S. PATENT DOCUMENTS

486,004	A	11/1892	Ullin	
760,225	A	5/1904	Maguire	
D356,232	S *	3/1995	Armstrong	D24/226
D394,522	S *	5/1998	Putnam	D27/183
D428,195	S *	7/2000	Knudsen	D27/183
6,530,495	B1 *	3/2003	Joseph	B65F 1/004 220/553
6,736,143	B2 *	5/2004	Rennecamp	A24F 1/00 131/240.1

1 Claim, 3 Drawing Sheets



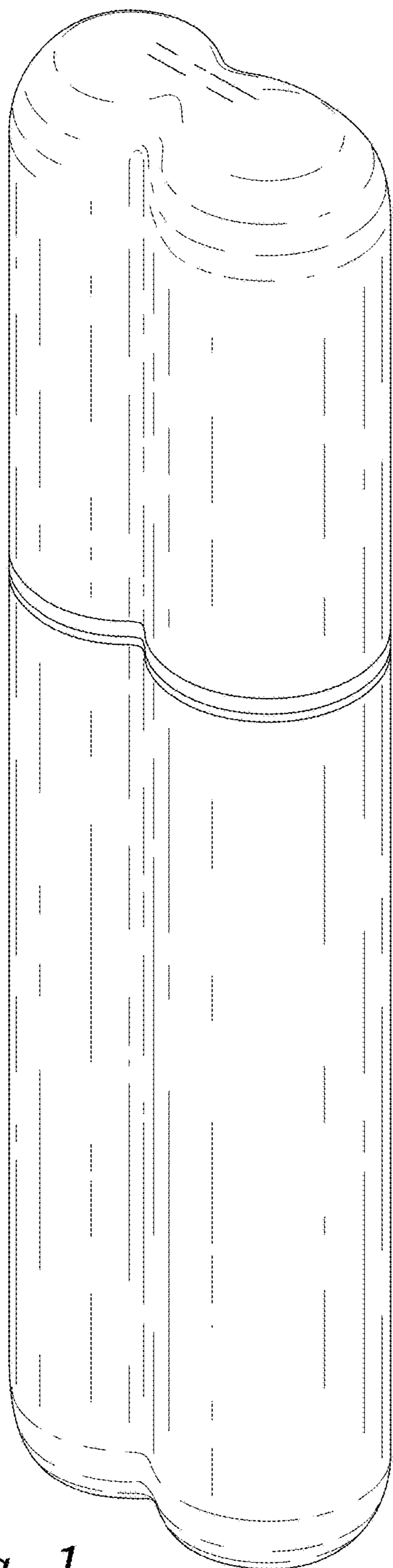


Fig. 1

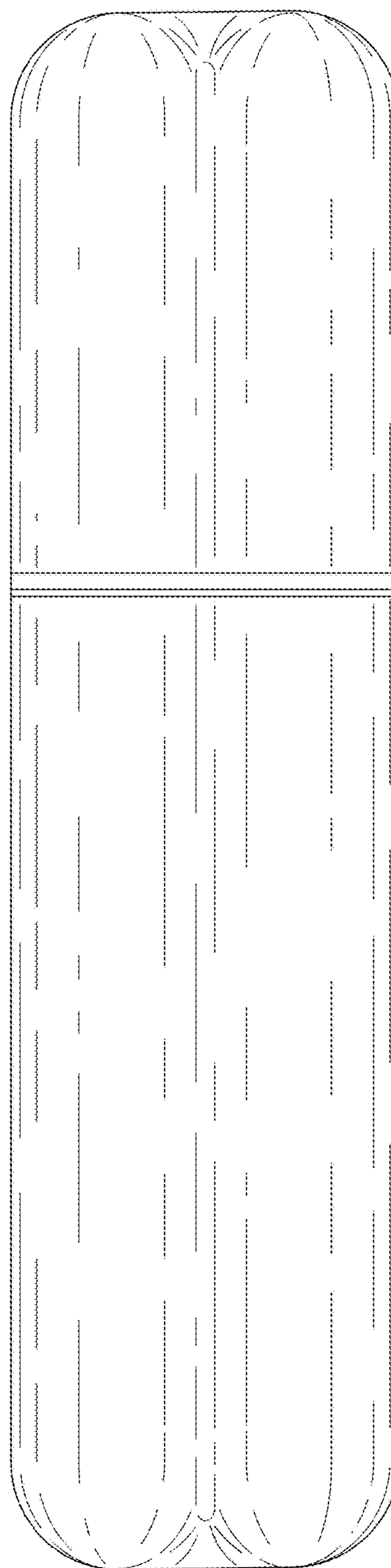


Fig. 2

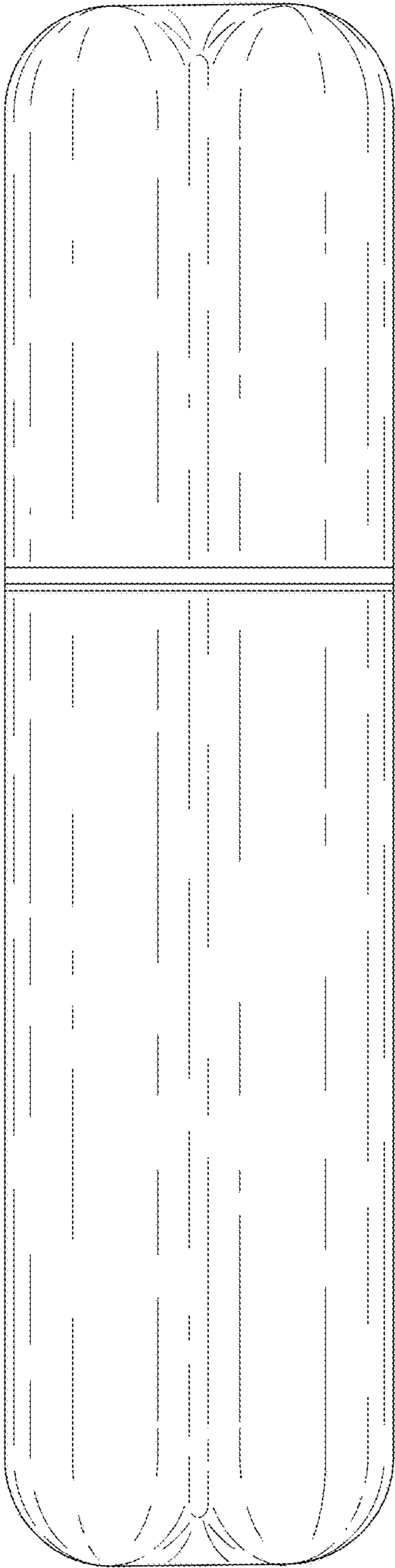


Fig. 3

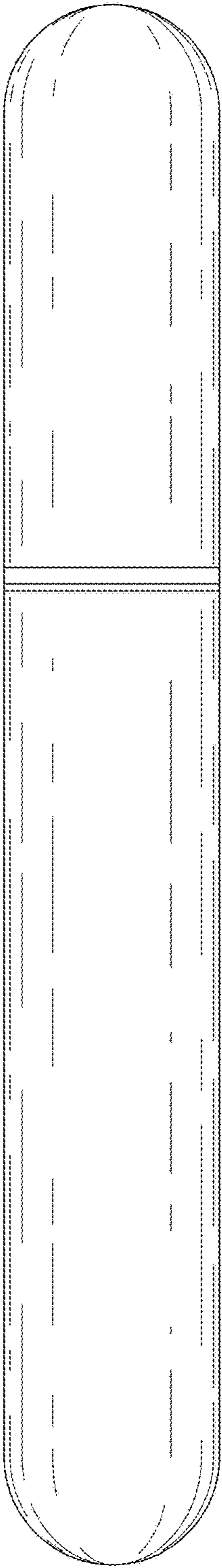


Fig. 4

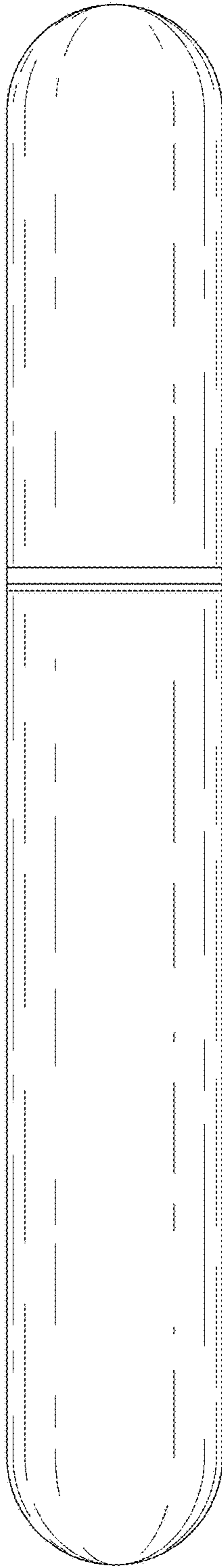


Fig. 5

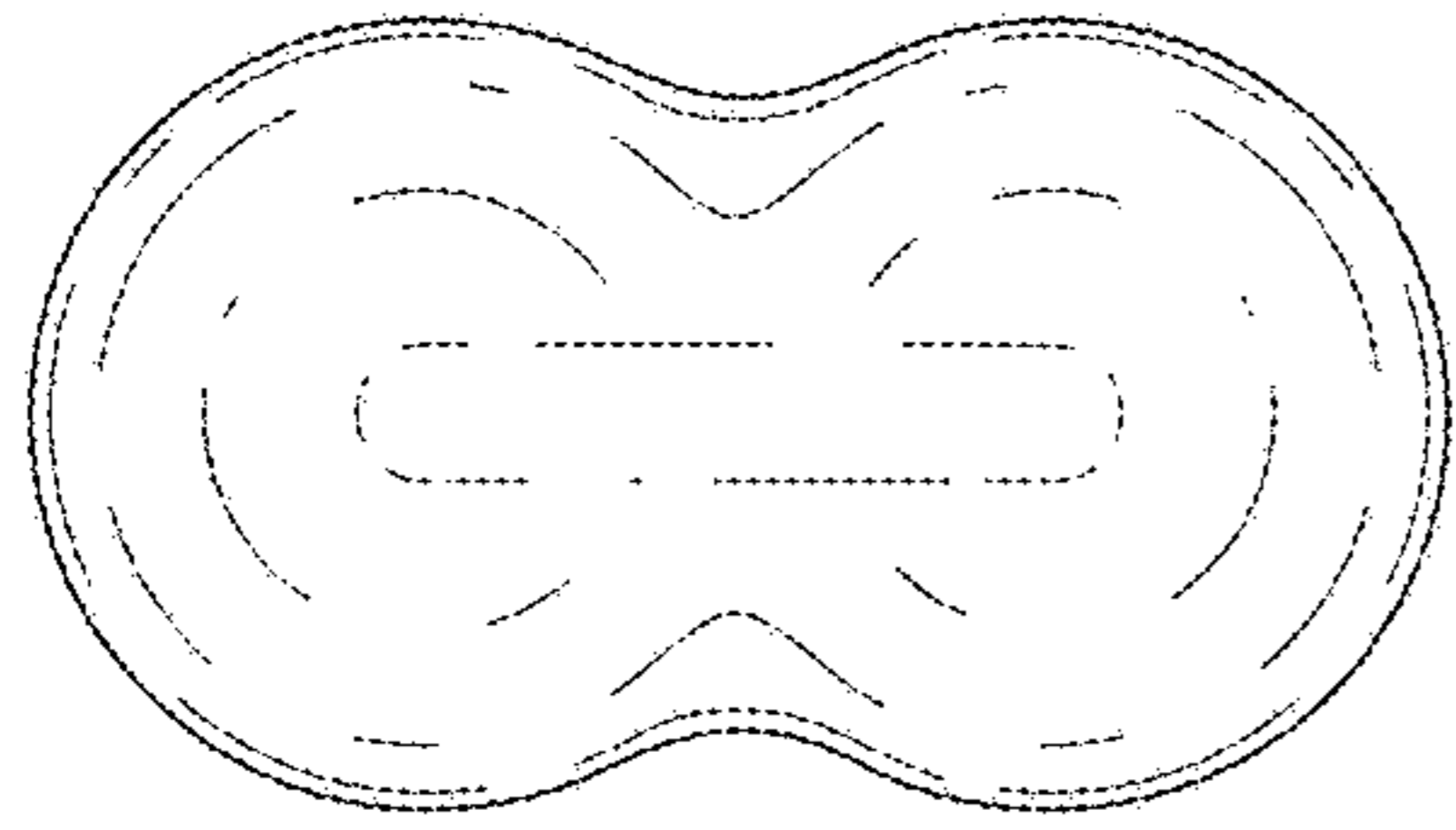


Fig. 6

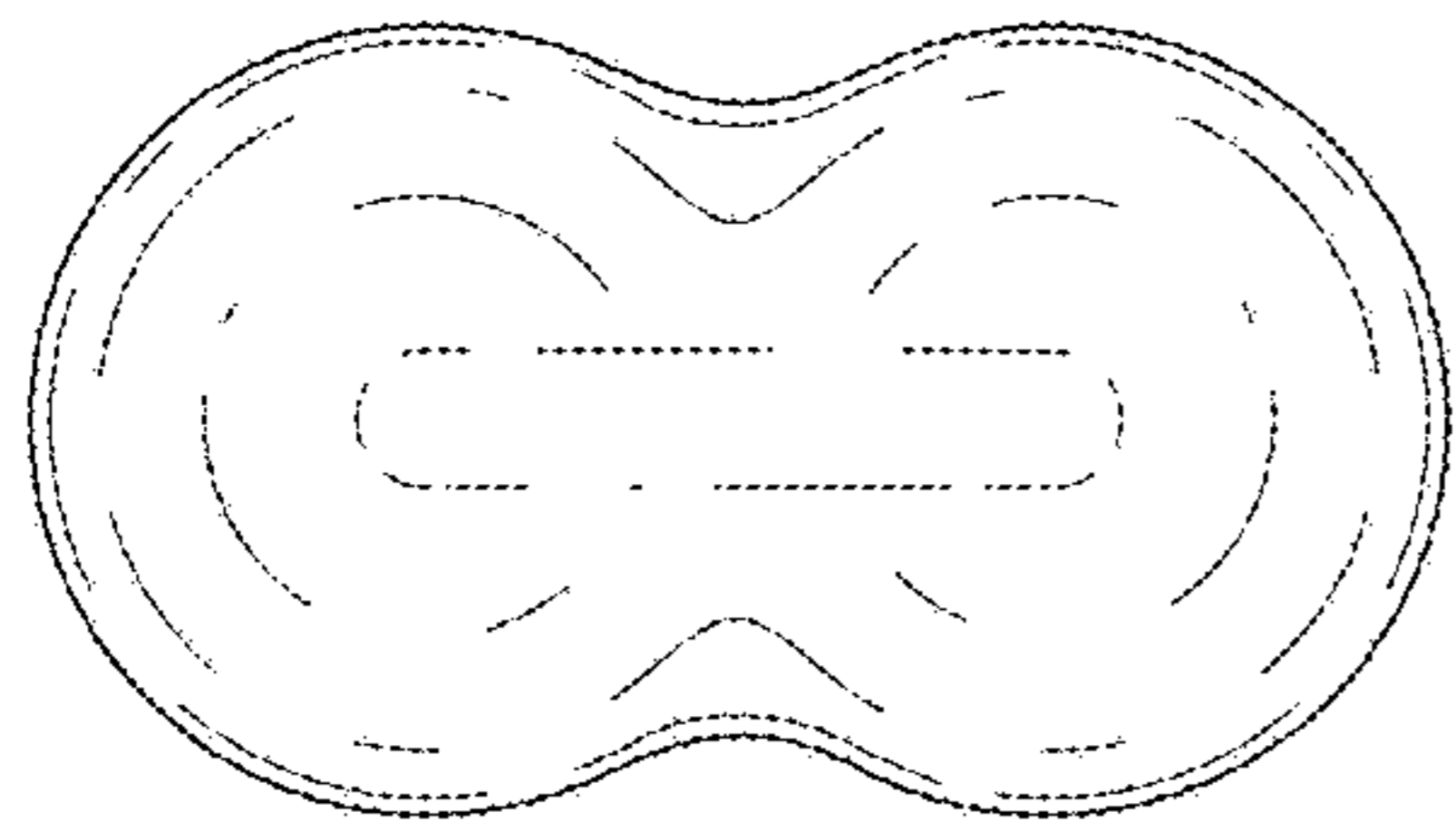


Fig. 7

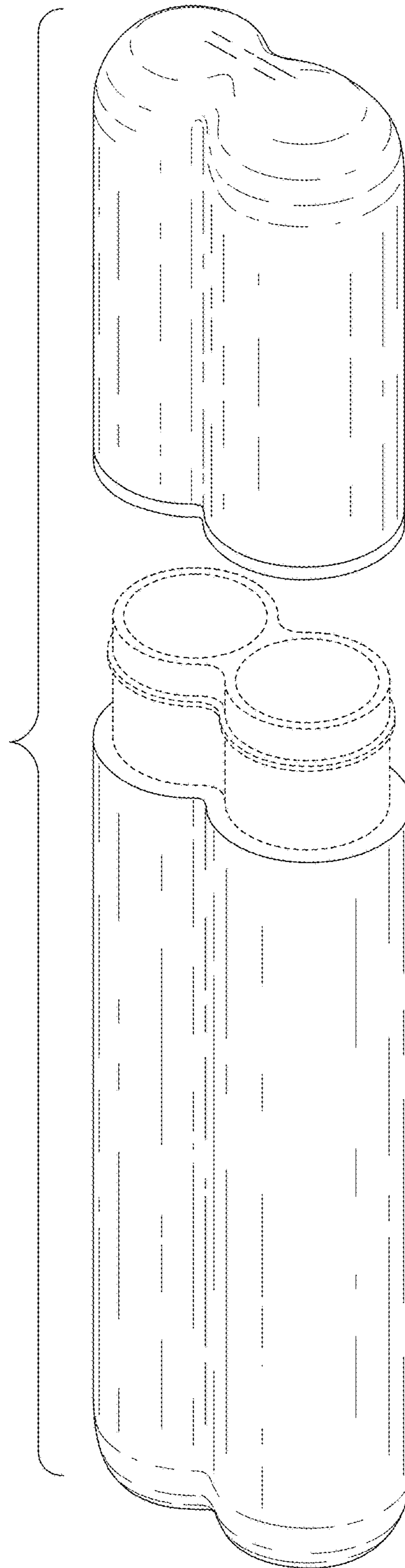


Fig. 8