



US00D822897S

(12) **United States Design Patent** (10) **Patent No.:** **US D822,897 S**
Almsberger et al. (45) **Date of Patent:** **** Jul. 10, 2018**

- (54) **LIGHTER**
- (71) Applicant: **Xikar, Inc.**, Kansas City, MO (US)
- (72) Inventors: **Scott Almsberger**, Tonganoxie, KS (US); **Robert Lembke**, Overland Park, KS (US); **Greg Loret**, Kansas City, MO (US); **Kurt Van Keppel**, Leawood, KS (US)
- (73) Assignee: **Xikar, Inc.**, Kansas City, MO (US)
- (**) Term: **15 Years**
- (21) Appl. No.: **29/566,734**
- (22) Filed: **Jun. 2, 2016**
- (51) **LOC (11) Cl.** **27-05**
- (52) **U.S. Cl.**
USPC **D27/141**
- (58) **Field of Classification Search**
USPC D27/141-147, 154-159, 161, 186, 189, D27/192, 193
CPC . F23Q 7/16; F23Q 2/282; F23Q 2/285; F23Q 2/32; F23Q 7/18; F23Q 7/00; F23Q 2/00; F23Q 2/06; F23Q 2/08; F23Q 2/1016; F23Q 2/161; F23Q 2/163; F23Q 2/165; F23Q 2/167; B60N 3/14
See application file for complete search history.

- D363,808 S 10/1995 Compte
- 5,462,432 A 10/1995 Kim
- 5,971,751 A 10/1999 Lee
- D435,142 S * 12/2000 Lee D27/157
- 6,186,772 B1 2/2001 Huang
- D440,008 S 4/2001 Xu
- D447,275 S 8/2001 Coquerel
- 6,298,856 B1 10/2001 Park
- (Continued)

OTHER PUBLICATIONS

Xikar Fall 2012 catalog, front and back cover, p. 7-15, 34; published in the USA by XIKAR, Inc.
(Continued)

Primary Examiner — Sheryl Lane
Assistant Examiner — Jennifer M Campbell
(74) *Attorney, Agent, or Firm* — Erickson Kernell IP, LLC

(57) **CLAIM**

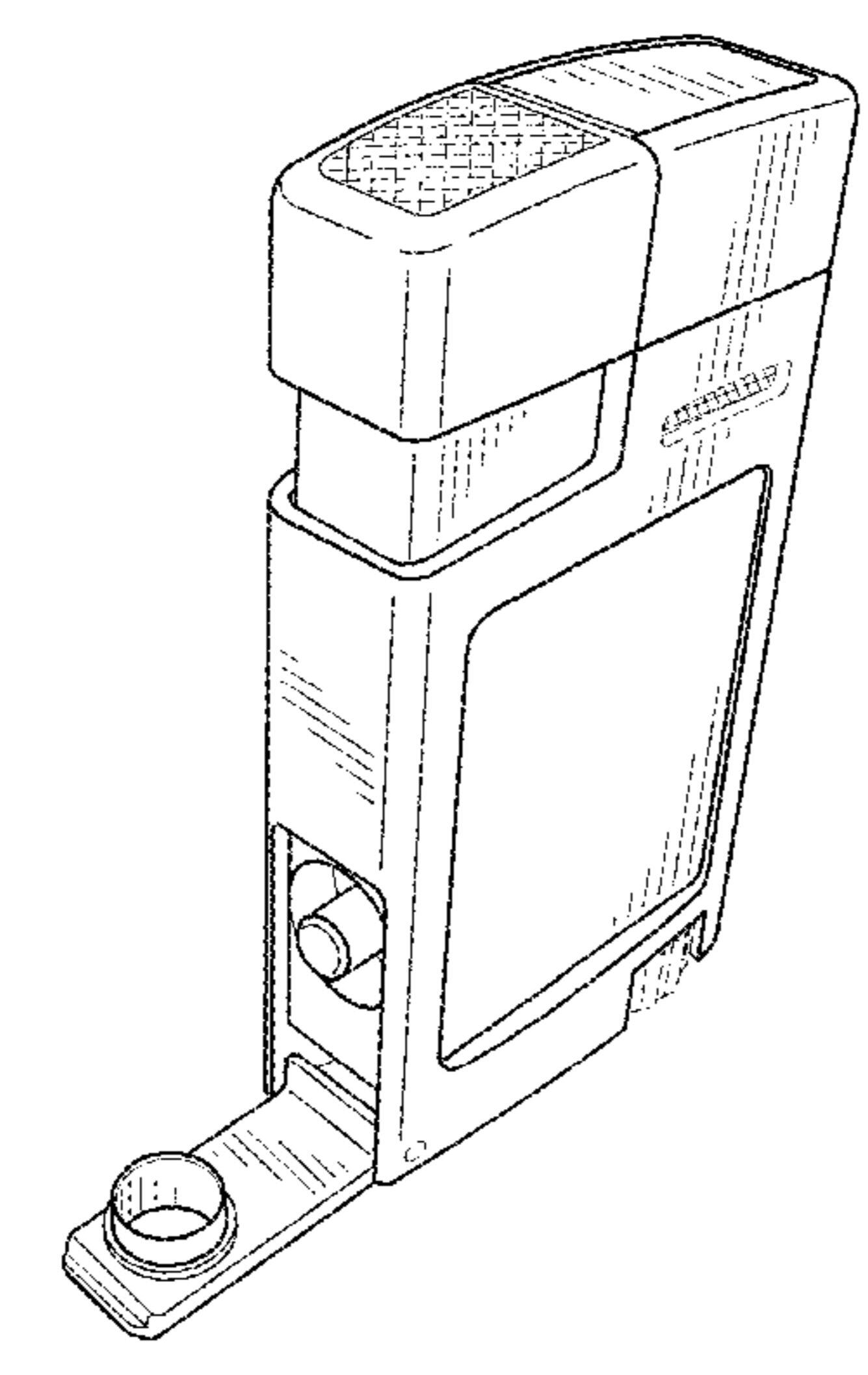
The ornamental design for a lighter, as shown and described.

DESCRIPTION

FIG. 1 is a left side perspective view of the lighter in accordance with the present invention;
FIG. 2 is a right side perspective view of the lighter, showing the cigar punch in the open position;
FIG. 3 is a top plan view of the lighter shown in FIG. 1;
FIG. 4 is a bottom plan view of the lighter shown in FIG. 1;
FIG. 5 is a left side elevation view of the lighter shown in FIG. 1;
FIG. 6 is a right side elevation view of the lighter shown in FIG. 1, with the cigar punch in the closed position; and,
FIG. 7 is a front elevation view of the lighter shown in FIG. 1, the rear side being a mirror image thereof.
The broken lines in the drawings depict portions of the lighter that form no part of the claimed design.

1 Claim, 2 Drawing Sheets

- (56) **References Cited**
U.S. PATENT DOCUMENTS
D99,786 S 5/1936 Galter
D181,637 S 12/1957 Frankel
D202,121 S 8/1965 Rappoport
D215,960 S * 11/1969 Sadao D27/157
D218,251 S * 8/1970 Dister D27/154
D218,699 S * 9/1970 Sado D27/154
D229,964 S 1/1974 Yoshinaga
D244,619 S 6/1977 Neyret
D260,943 S 9/1981 Stutzer et al.
D351,043 S 9/1994 Parker et al.



(56)

References Cited

U.S. PATENT DOCUMENTS

D466,647 S 12/2002 Cohen Harel
D466,648 S 12/2002 Cohen Harel
6,506,046 B1 * 1/2003 Luo F23Q 2/287
431/153
D472,341 S 3/2003 Cohen Harel
6,575,735 B1 6/2003 Lloveras Capilla
6,732,741 B1 5/2004 Park
D502,287 S * 2/2005 Aronson, II D27/154
D510,456 S 10/2005 Smith
D529,227 S 9/2006 Smith
D537,560 S 2/2007 Chuang
D539,472 S 3/2007 Almsberger et al.
D539,473 S 3/2007 Almsberger et al.
D542,465 S 5/2007 Luo
D553,290 S 10/2007 Smith
D567,437 S 4/2008 Smith
7,815,432 B2 10/2010 Smith
D629,154 S 12/2010 Sung

D664,294 S 7/2012 Howell et al.
D664,709 S 7/2012 Almsberger et al.
D664,710 S * 7/2012 Van Keppel D27/157
D742,062 S * 10/2015 Almsberger D27/143
D751,756 S * 3/2016 Hearn D27/189
D758,652 S * 6/2016 Almsberger D27/157
D760,428 S * 6/2016 Rahbar D27/141
2010/0269840 A1 * 10/2010 Chuan A24F 13/24
131/249

OTHER PUBLICATIONS

Xikar Fall 2013 catalog, front and back cover, p. 3-5, 10; published in the USA by XIKAR, Inc.
Xikar Fall 2011 catalog, front and back cover, p. 7-17, 35; published in the USA by XIKAR, Inc.
Xikar Fall 2014 catalog, front cover, p. 2, 3, 5, 8-15, 20-23; published in the USA by XIKAR, Inc.

* cited by examiner

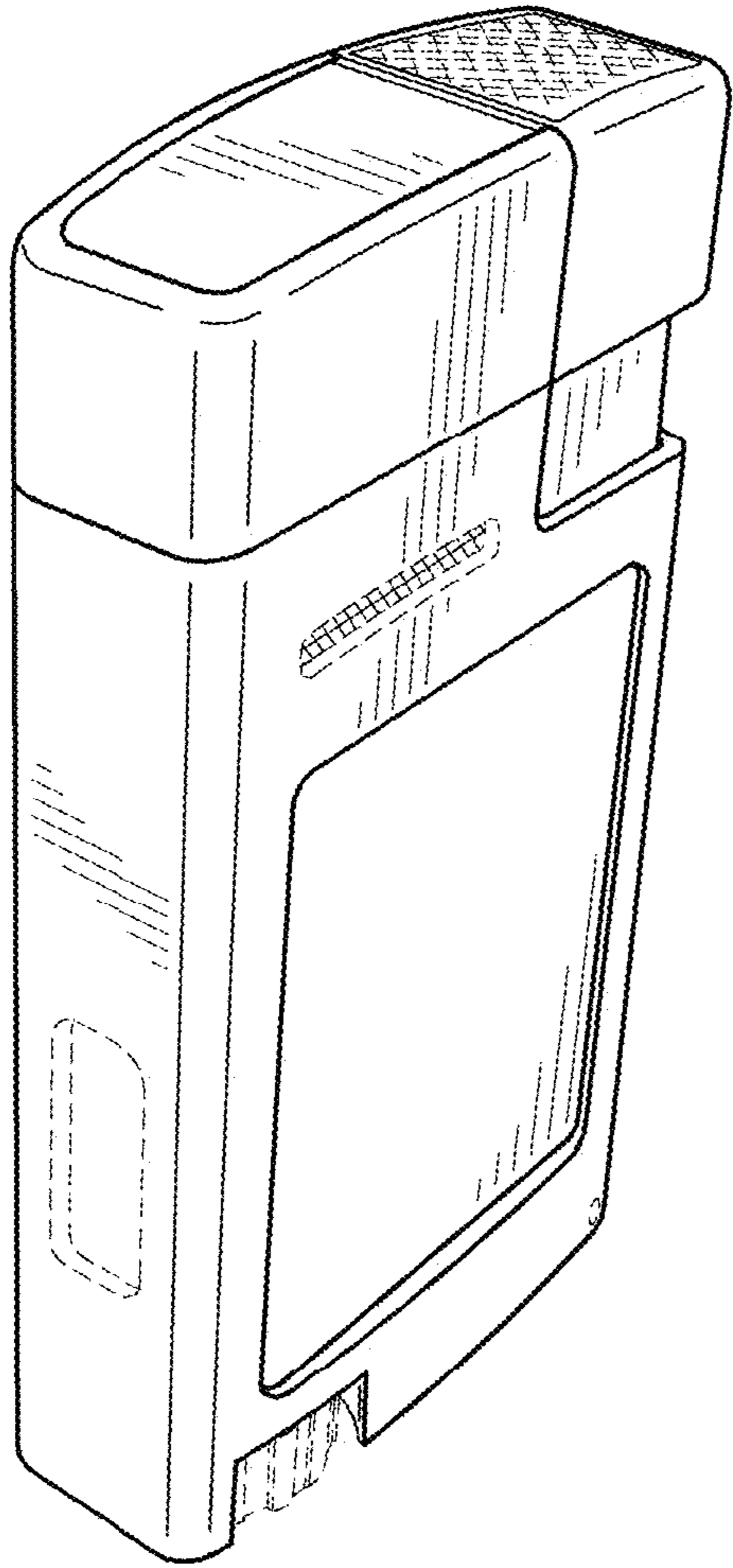


Fig. 1

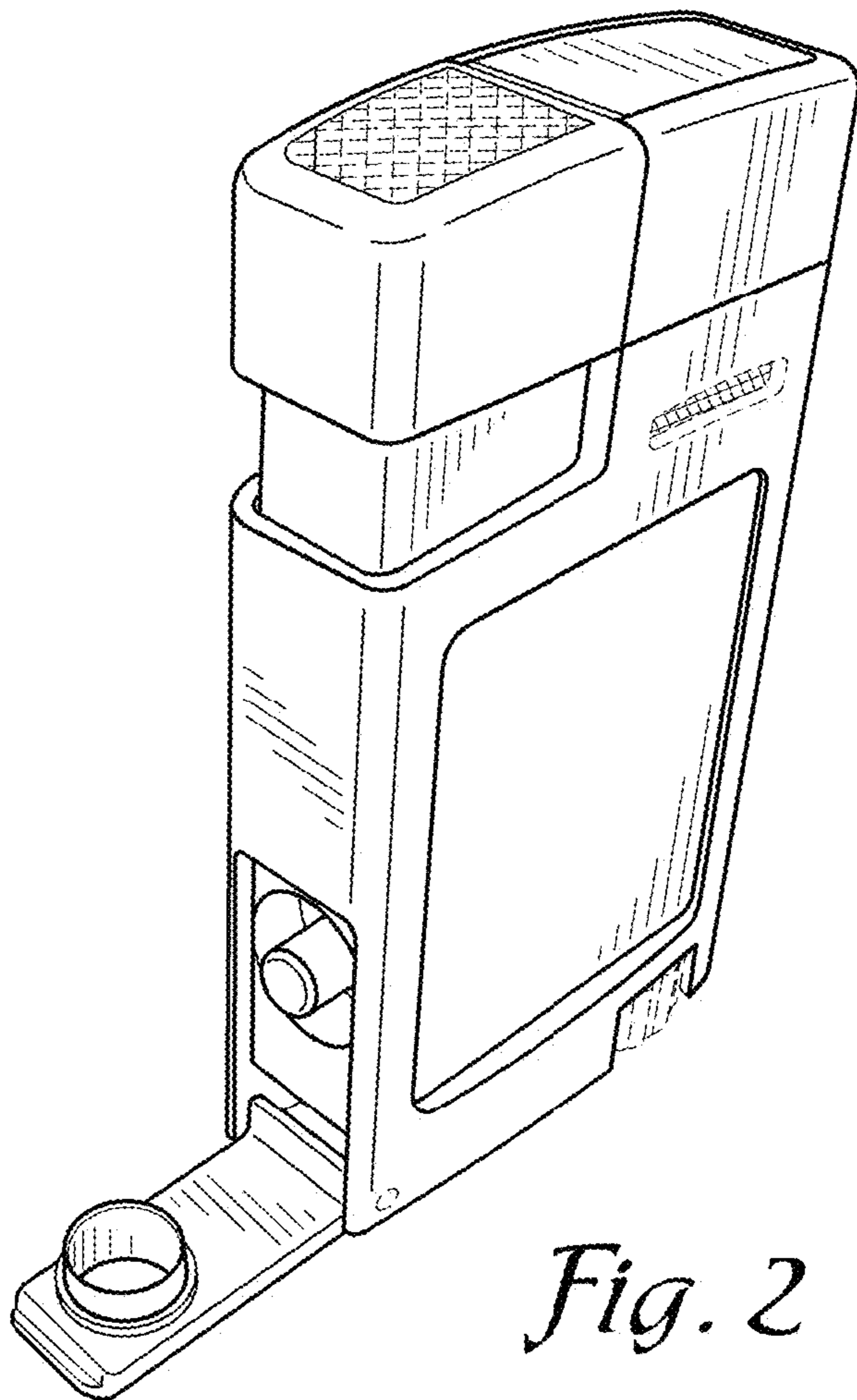


Fig. 2

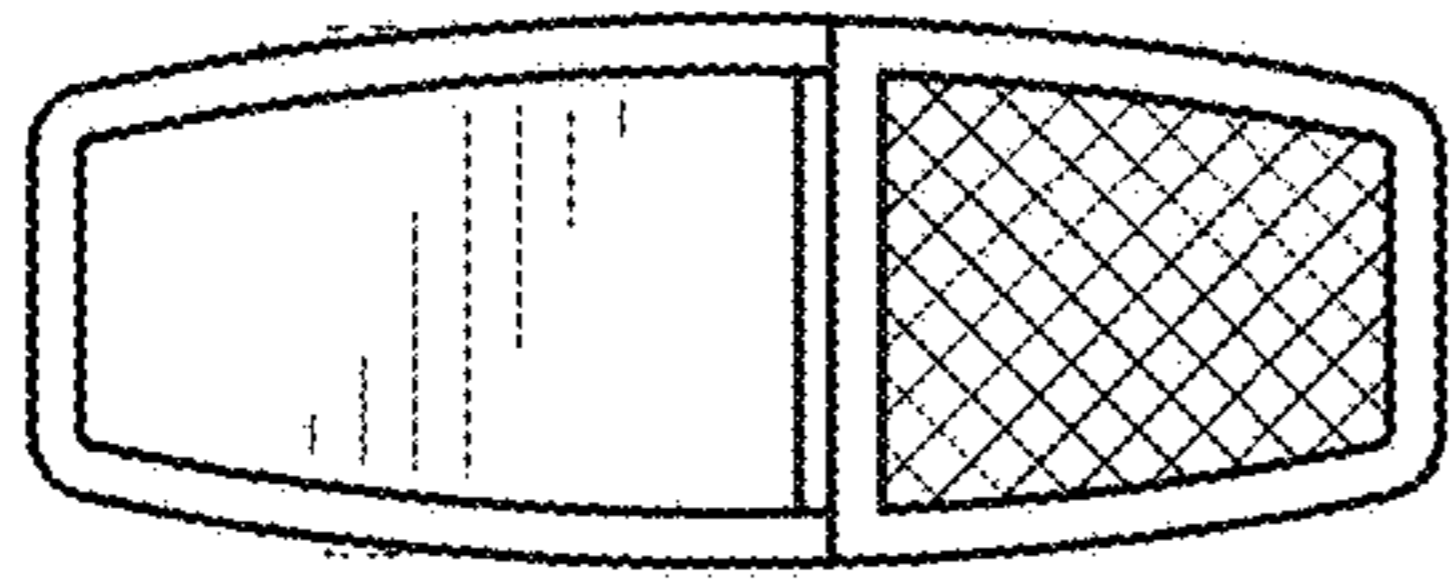


Fig. 3

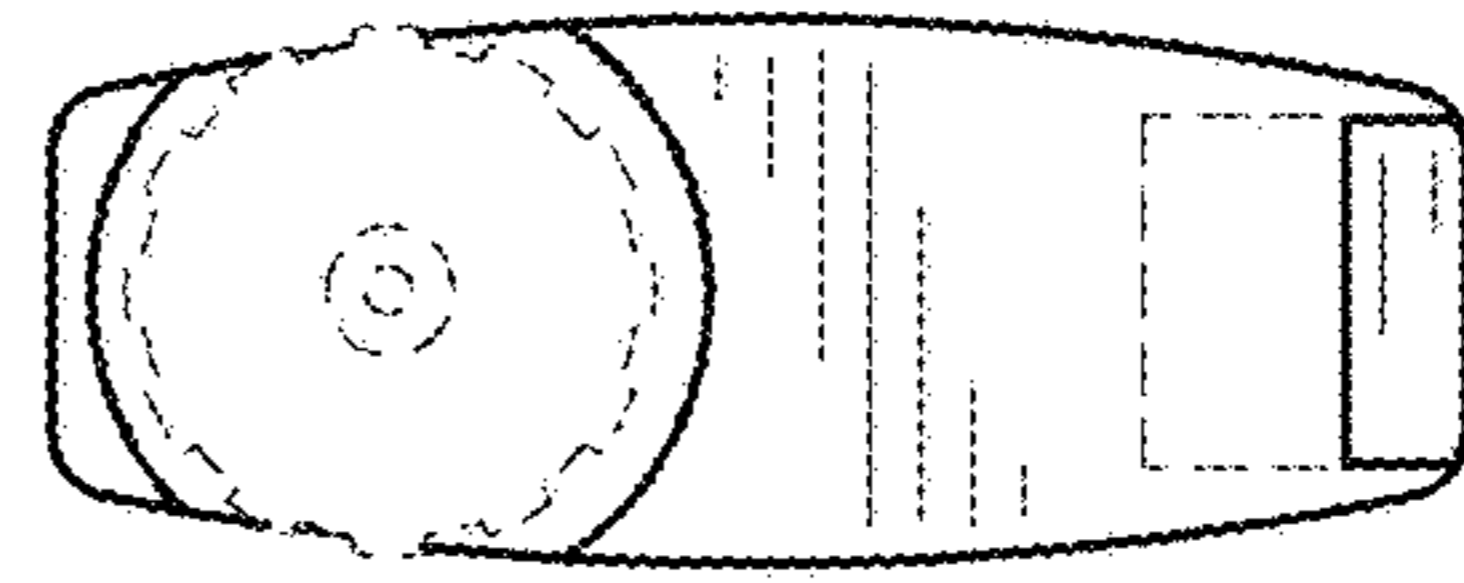


Fig. 4

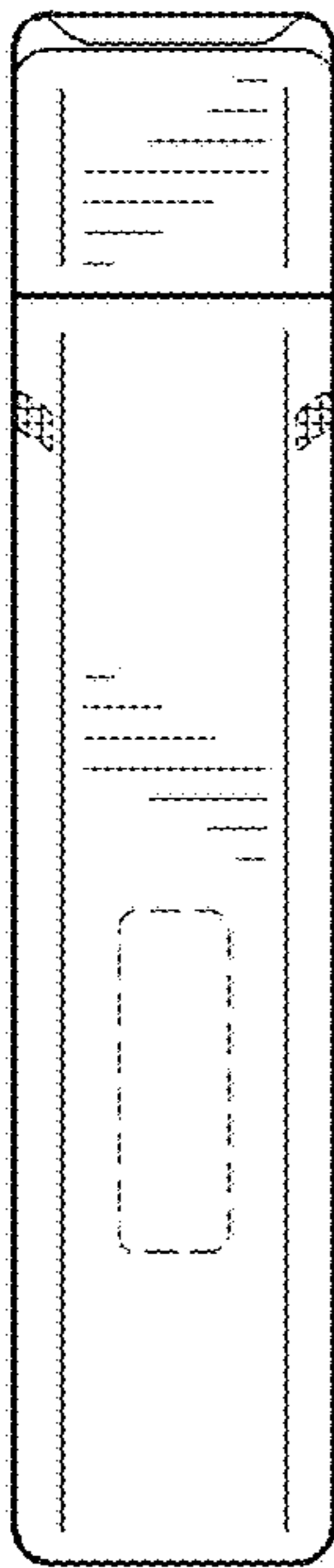


Fig. 5

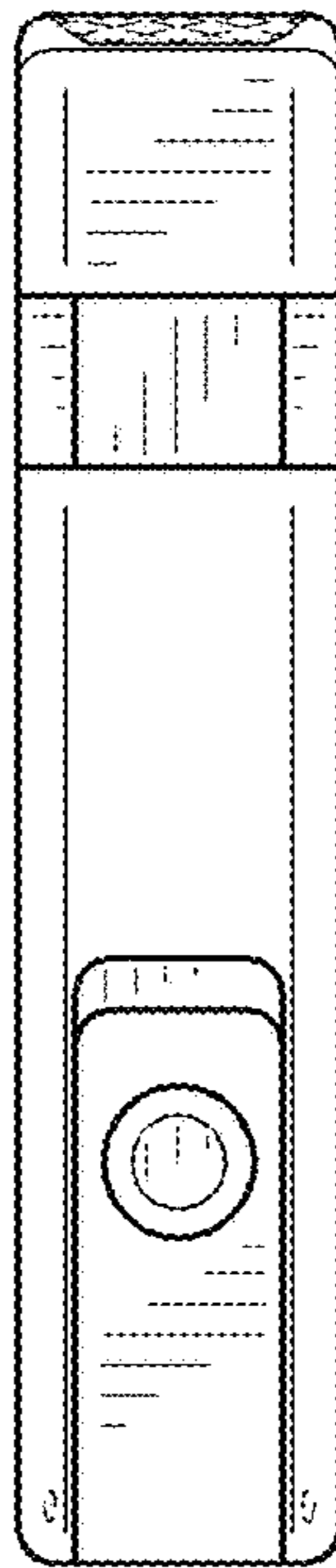


Fig. 6

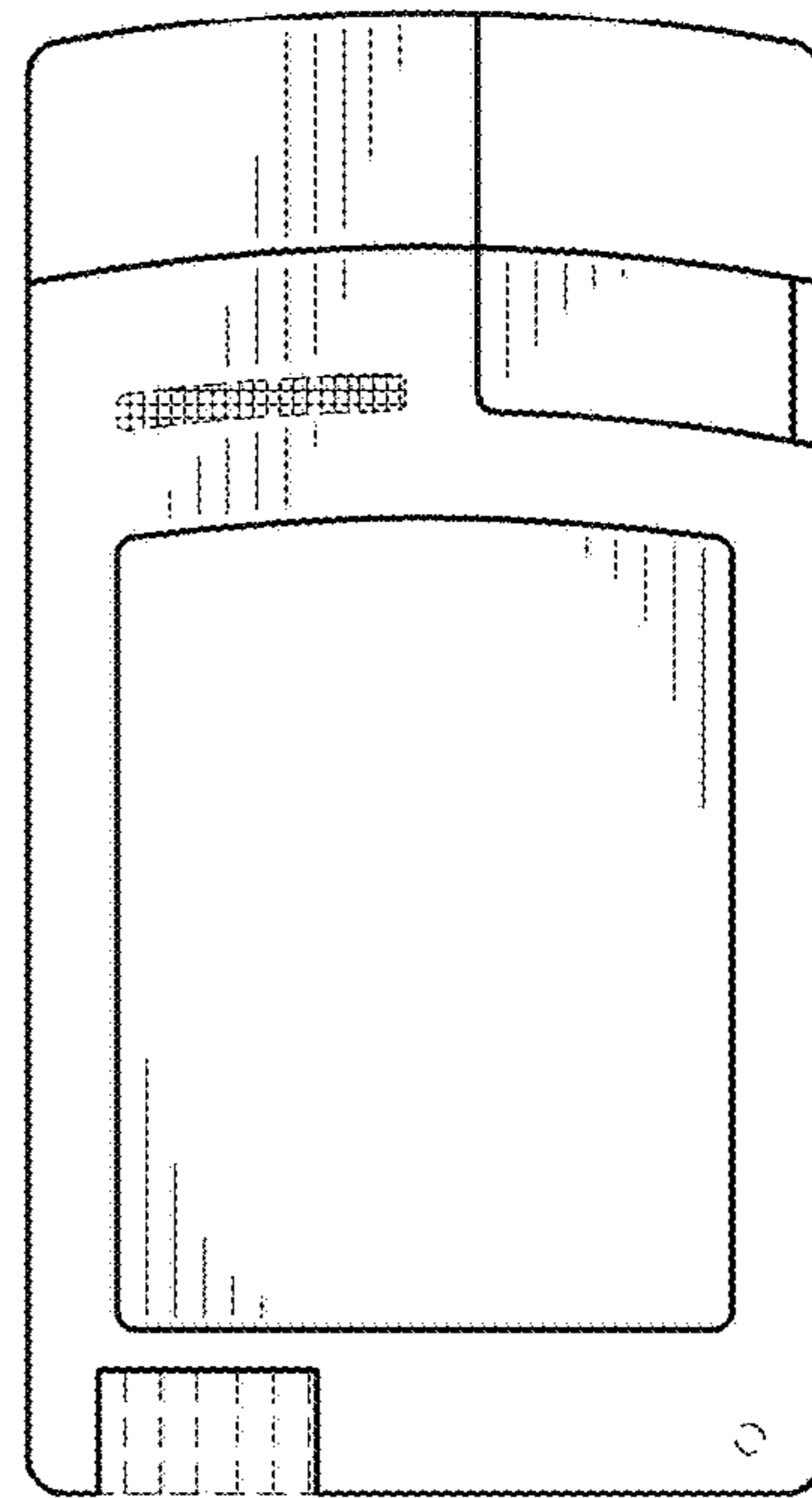


Fig. 7