



US00D822894S

(12) **United States Design Patent**
Schwartz et al.

(10) **Patent No.:** **US D822,894 S**
(45) **Date of Patent:** **** Jul. 10, 2018**

- (54) **HANDHELD SMOKING DEVICE**
- (71) Applicants: **Yitzchok Moshe Schwartz**, Chicago, IL (US); **Wendy Wong**, Shenzhen (CN)
- (72) Inventors: **Yitzchok Moshe Schwartz**, Chicago, IL (US); **Wendy Wong**, Shenzhen (CN)
- (73) Assignee: **YETS Innovations, Inc.**, Chicago, IL (US)

- (**) Term: **15 Years**
- (21) Appl. No.: **29/551,685**
- (22) Filed: **Jan. 15, 2016**

Related U.S. Application Data

- (63) Continuation-in-part of application No. 14/996,739, filed on Jan. 15, 2016.
- (51) **LOC (11) Cl.** **27-01**
- (52) **U.S. Cl.**
USPC **D27/101**
- (58) **Field of Classification Search**
USPC D27/100, 101, 162–169, 194; D23/213, D23/366
CPC A24F 47/008; A24F 7/04; A24F 47/002; A24F 15/12; A24F 47/00; A24F 7/02; H05B 6/36
See application file for complete search history.

(56) **References Cited**

U.S. PATENT DOCUMENTS

- D653,803 S * 2/2012 Timmermans D27/163
- D684,311 S * 6/2013 Liu D27/101
- D720,499 S * 12/2014 Alima D27/167
- D720,881 S * 1/2015 Liu D27/101
- D723,216 S * 2/2015 Chen D27/101
- D724,264 S * 3/2015 Chambers D27/101
- D727,562 S * 4/2015 Li D27/101
- D727,566 S * 4/2015 Xiao D27/101

- D748,852 S * 2/2016 Wu D27/101
- D751,249 S * 3/2016 Chen D27/101
- D752,278 S * 3/2016 Verleur D13/103
- D758,649 S * 6/2016 Liu D27/101
- D758,654 S * 6/2016 Liu D27/163
- D759,303 S * 6/2016 Afridi D27/101
- D760,948 S * 7/2016 Eksouzian D27/101
- D764,703 S * 8/2016 Liu D27/101
- D767,819 S * 9/2016 Kayvon D27/162

(Continued)

OTHER PUBLICATIONS

Yocan Products Inc. web pages printed on Jan. 15, 2016.

Primary Examiner — Brandon M Rosati
Assistant Examiner — Marissa J Cash
(74) *Attorney, Agent, or Firm* — Brian Roffe

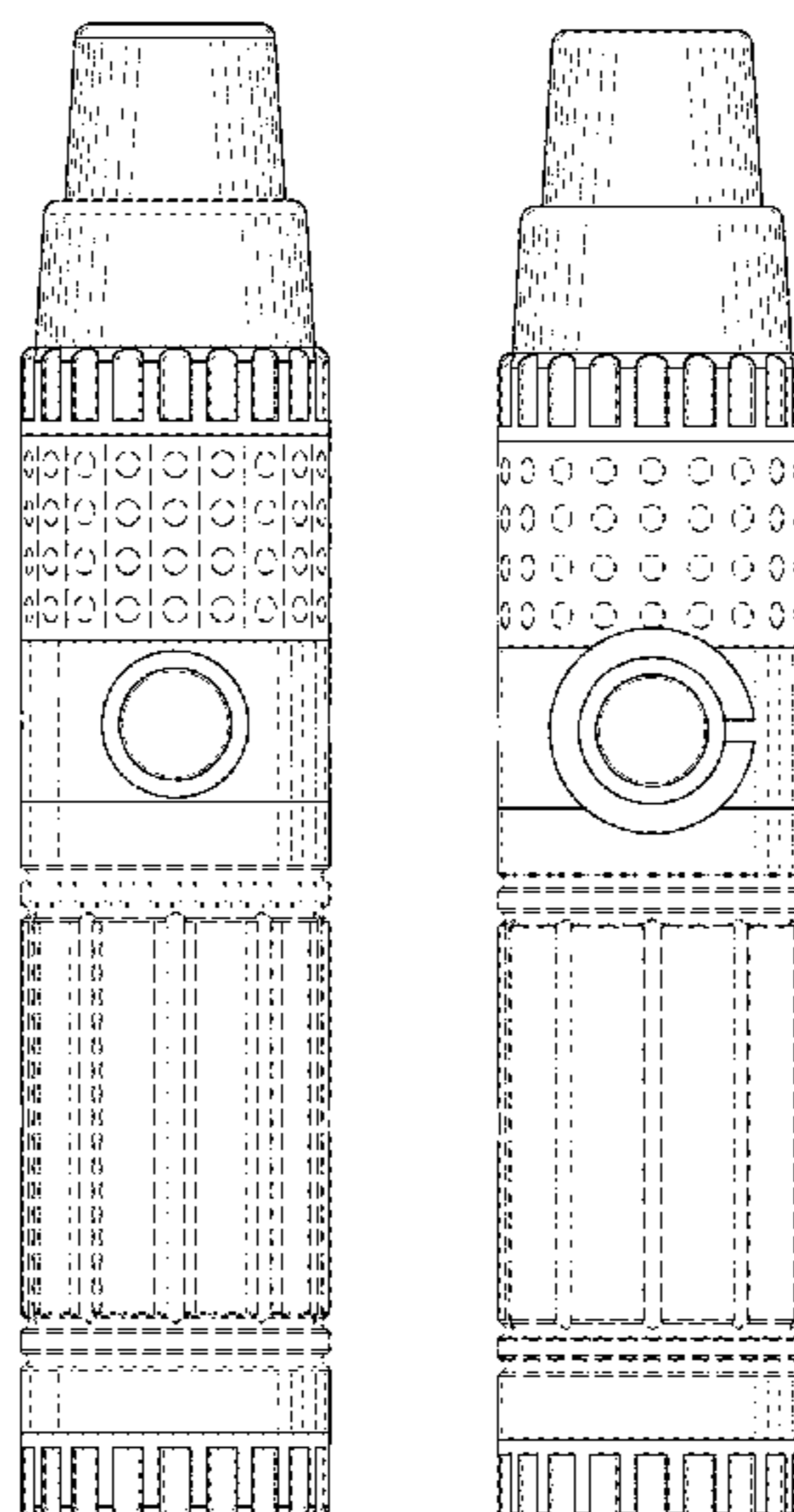
(57) **CLAIM**

The ornamental design for a handheld smoking device, as shown and described.

DESCRIPTION

FIG. 1 is a left side view of a first embodiment of a handheld smoking device showing my new design;
FIG. 2 is a right side view thereof;
FIG. 3 is a front view thereof;
FIG. 4 is a rear view thereof;
FIG. 5 is a bottom view thereof;
FIG. 6 is a top view thereof;
FIG. 7 is a left side view of a second embodiment of a handheld smoking device showing my new design;
FIG. 8 is a right side view thereof;
FIG. 9 is a front view thereof;
FIG. 10 is a rear view thereof;
FIG. 11 is a bottom view thereof; and,
FIG. 12 is a top view thereof.
In the drawings, the broken lines depict environment subject matter only and form no part of the claim or claimed design.

1 Claim, 12 Drawing Sheets



(56)

References Cited

U.S. PATENT DOCUMENTS

D767,822 S * 9/2016 Jordan D27/194
D768,914 S * 10/2016 Liu D27/101
D771,307 S * 11/2016 Wu D27/101
D773,727 S * 12/2016 Eksouzian D27/101
D774,247 S * 12/2016 Chen D27/101
D776,868 S * 1/2017 Rado D27/162
D783,117 S * 4/2017 Gilbarte D22/117
D785,859 S * 5/2017 Pang D27/101
2011/0094524 A1 4/2011 Glover
2012/0255546 A1 10/2012 Goetz et al.
2013/0152922 A1 6/2013 Bennasayag et al.
2013/0319407 A1* 12/2013 Liu A61M 15/06
128/202.21
2014/0041655 A1 2/2014 Barron et al.
2015/0090253 A1* 4/2015 Farrow A24F 47/008
128/200.14
2015/0342258 A1* 12/2015 Chen H05B 3/06
131/329
2017/0065001 A1* 3/2017 Li F16K 15/14
2017/0079327 A1* 3/2017 Wu A24F 47/008
2017/0105453 A1* 4/2017 Li A24F 47/008
2017/0112193 A1* 4/2017 Chen A24F 47/008
2017/0119060 A1* 5/2017 Li A24F 47/008

* cited by examiner

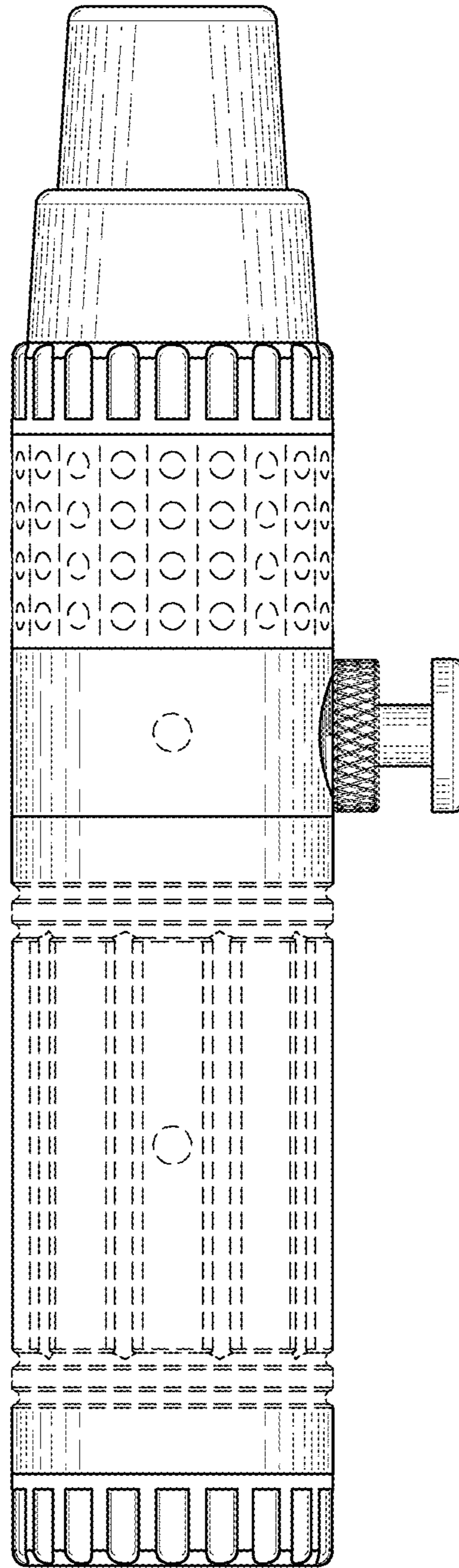


FIG. 1

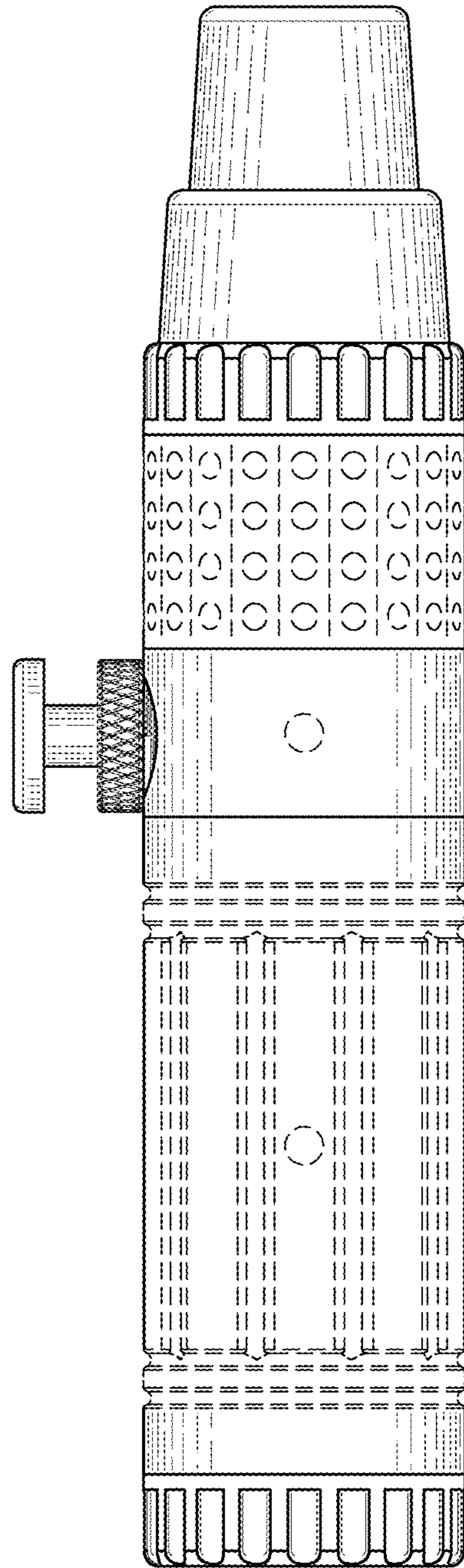


FIG. 2

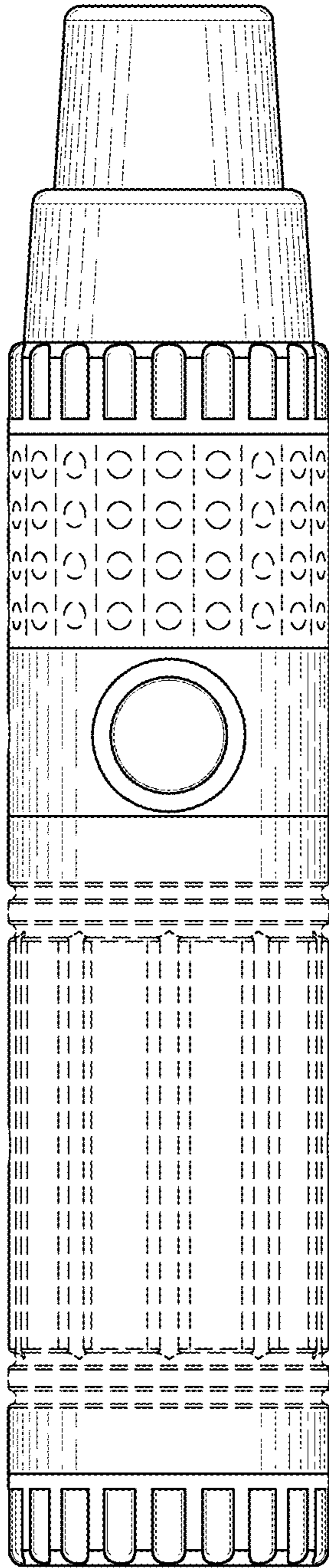


FIG. 3

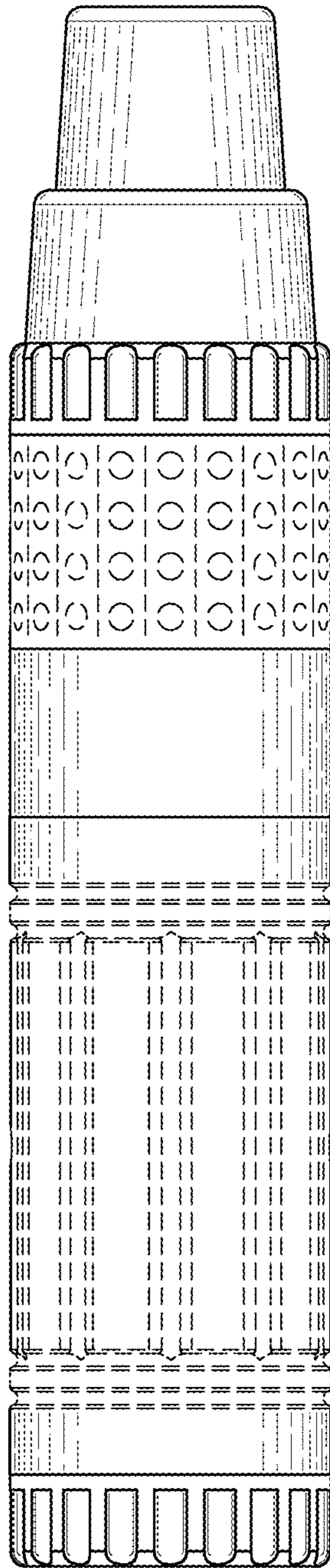


FIG. 4

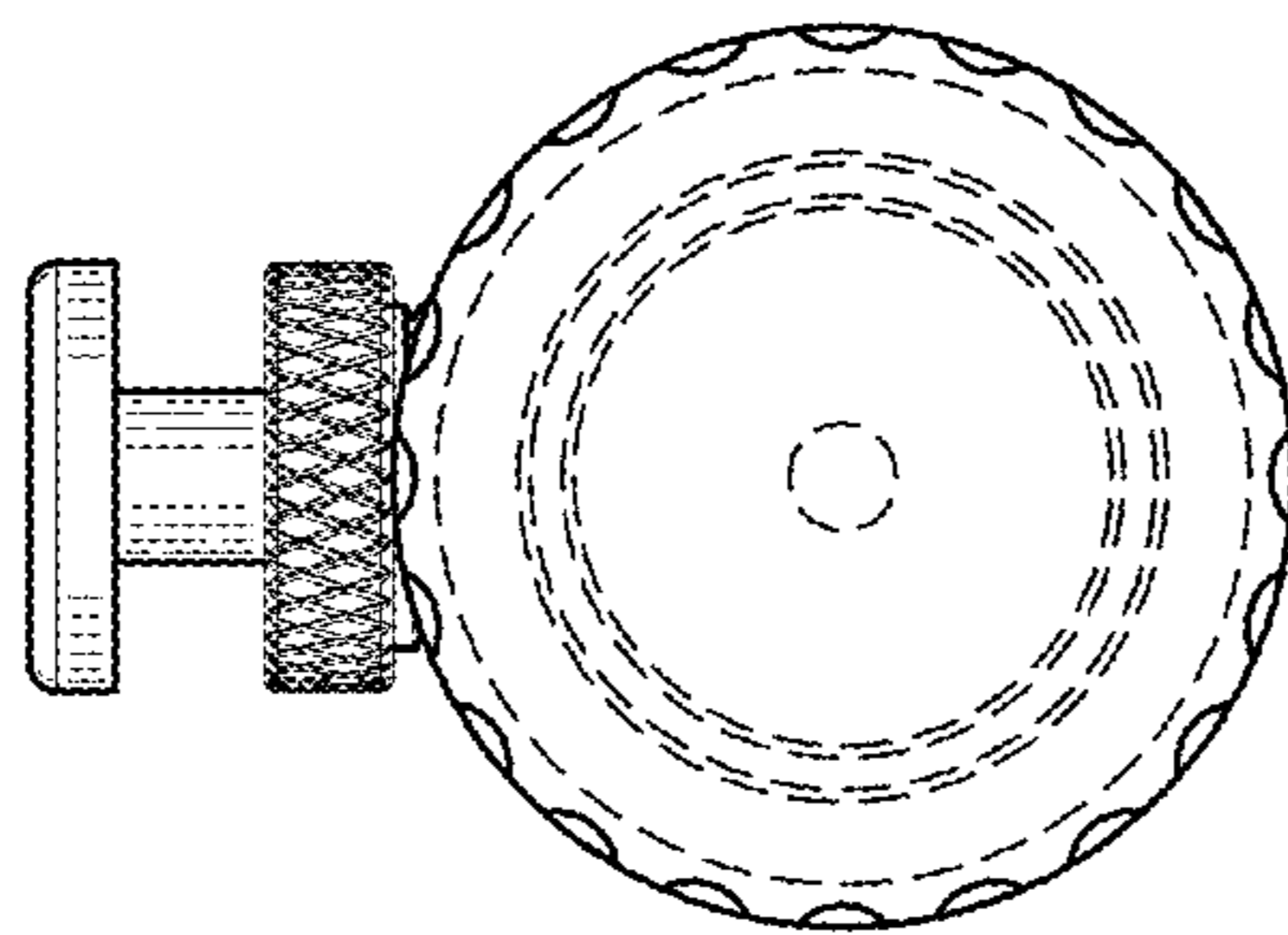


FIG. 5

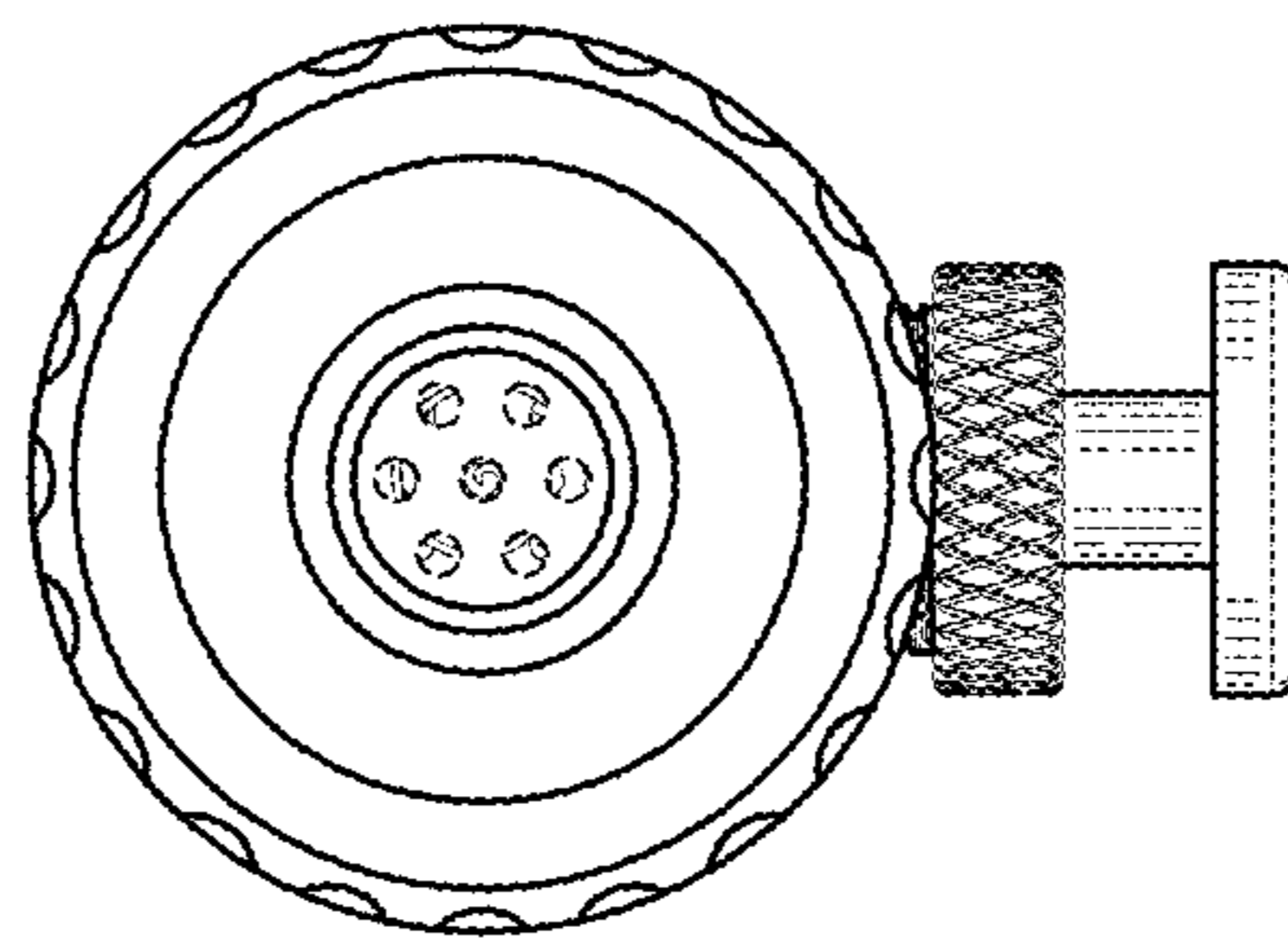


FIG. 6

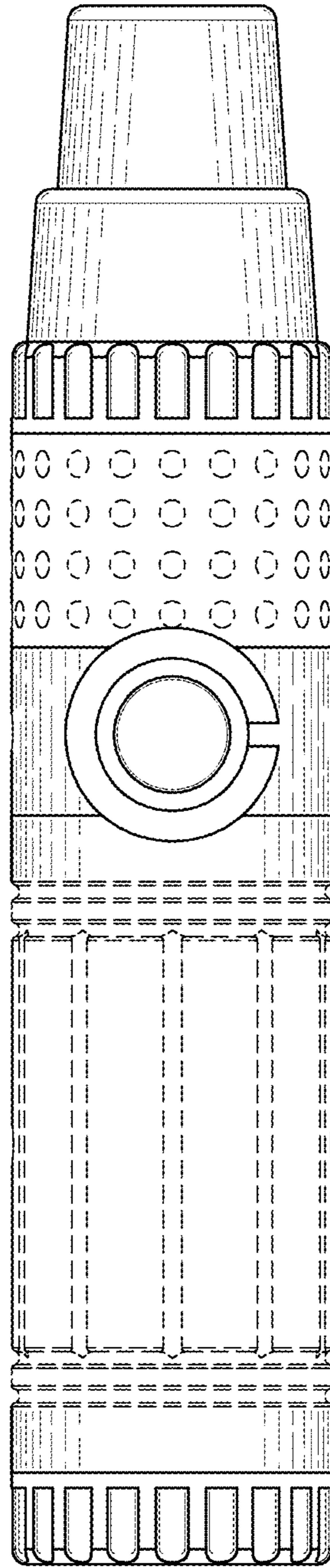


FIG. 7

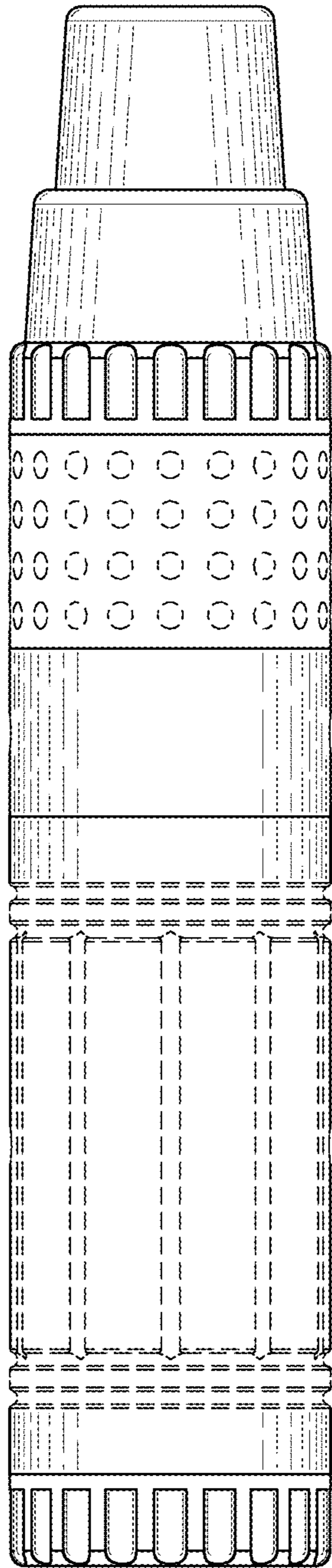


FIG. 8

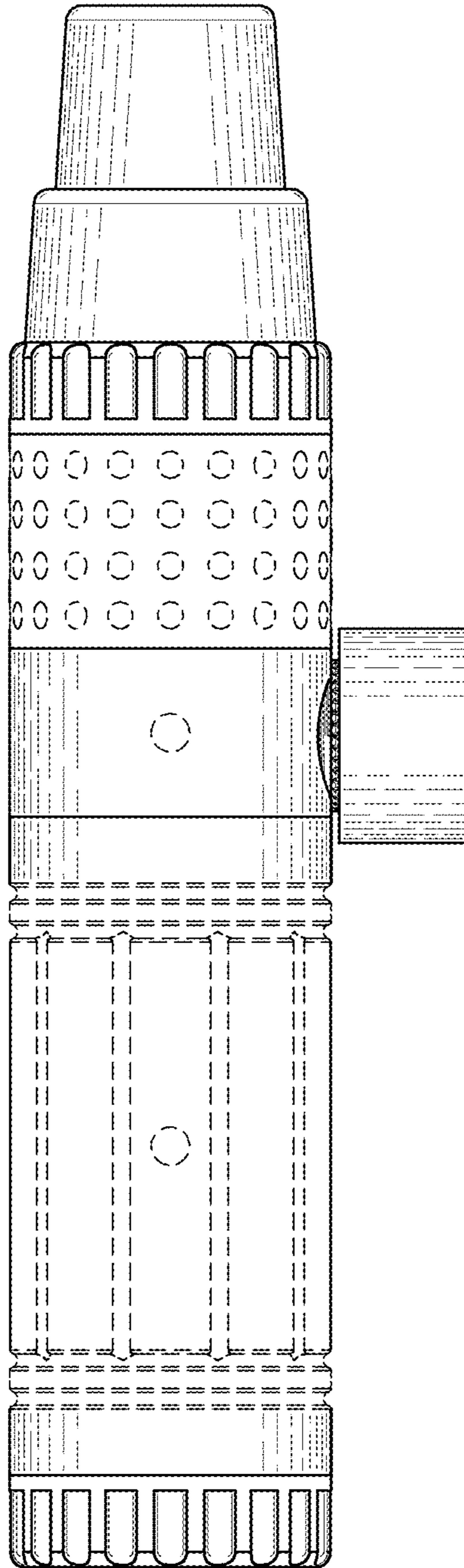


FIG. 9

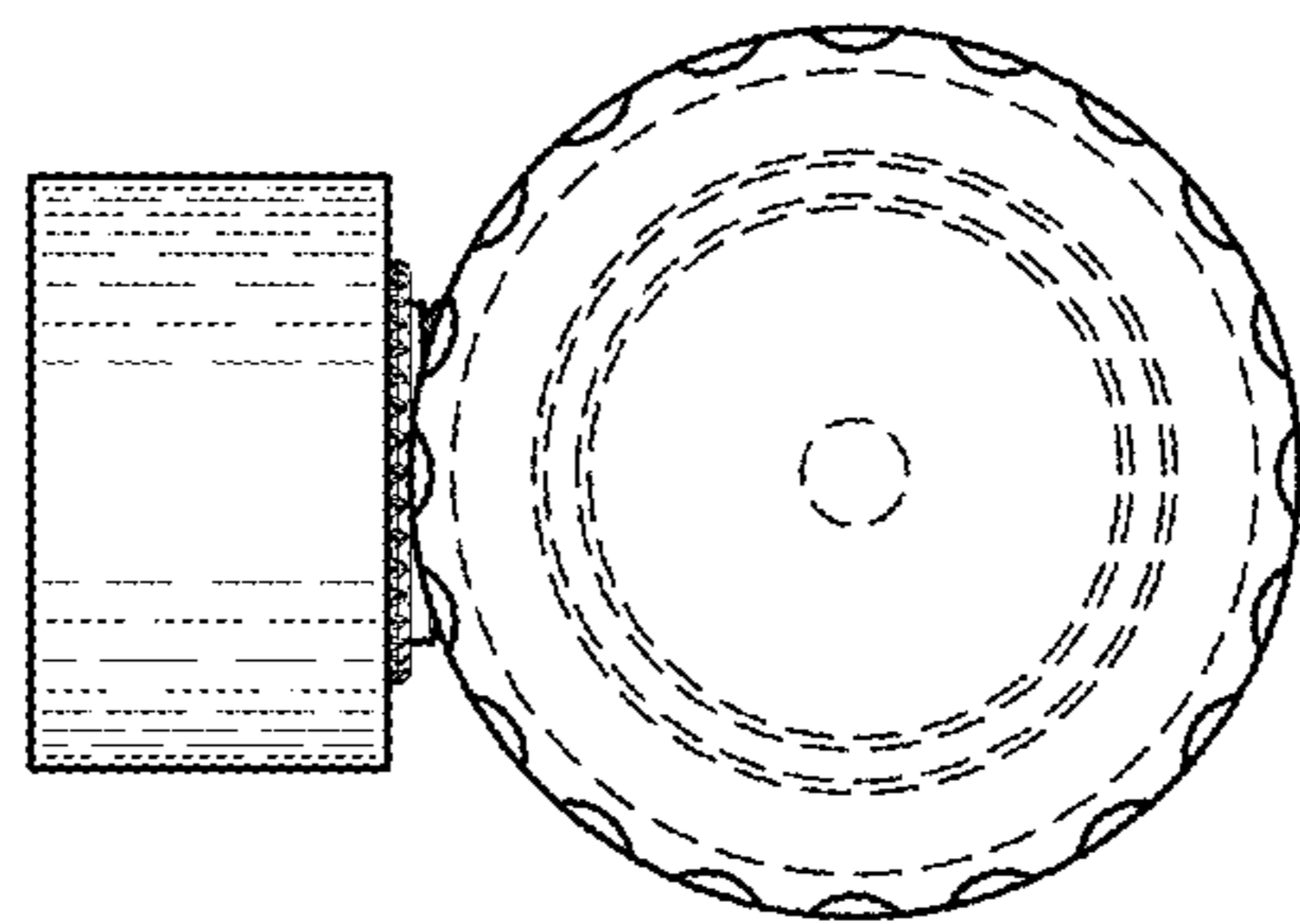


FIG. 10

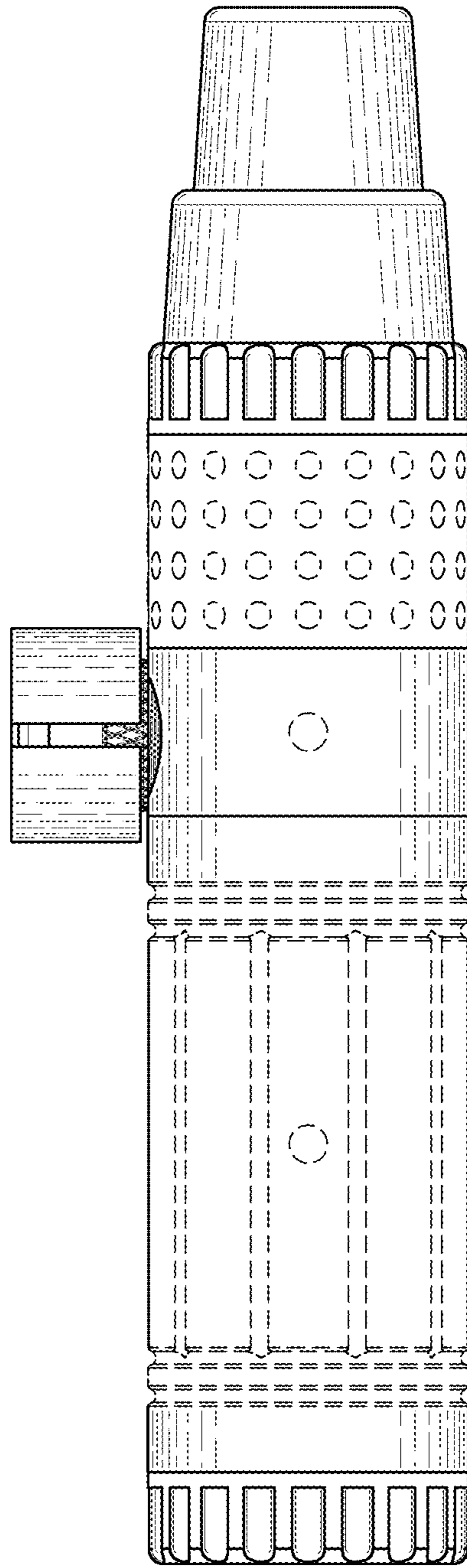


FIG. 11

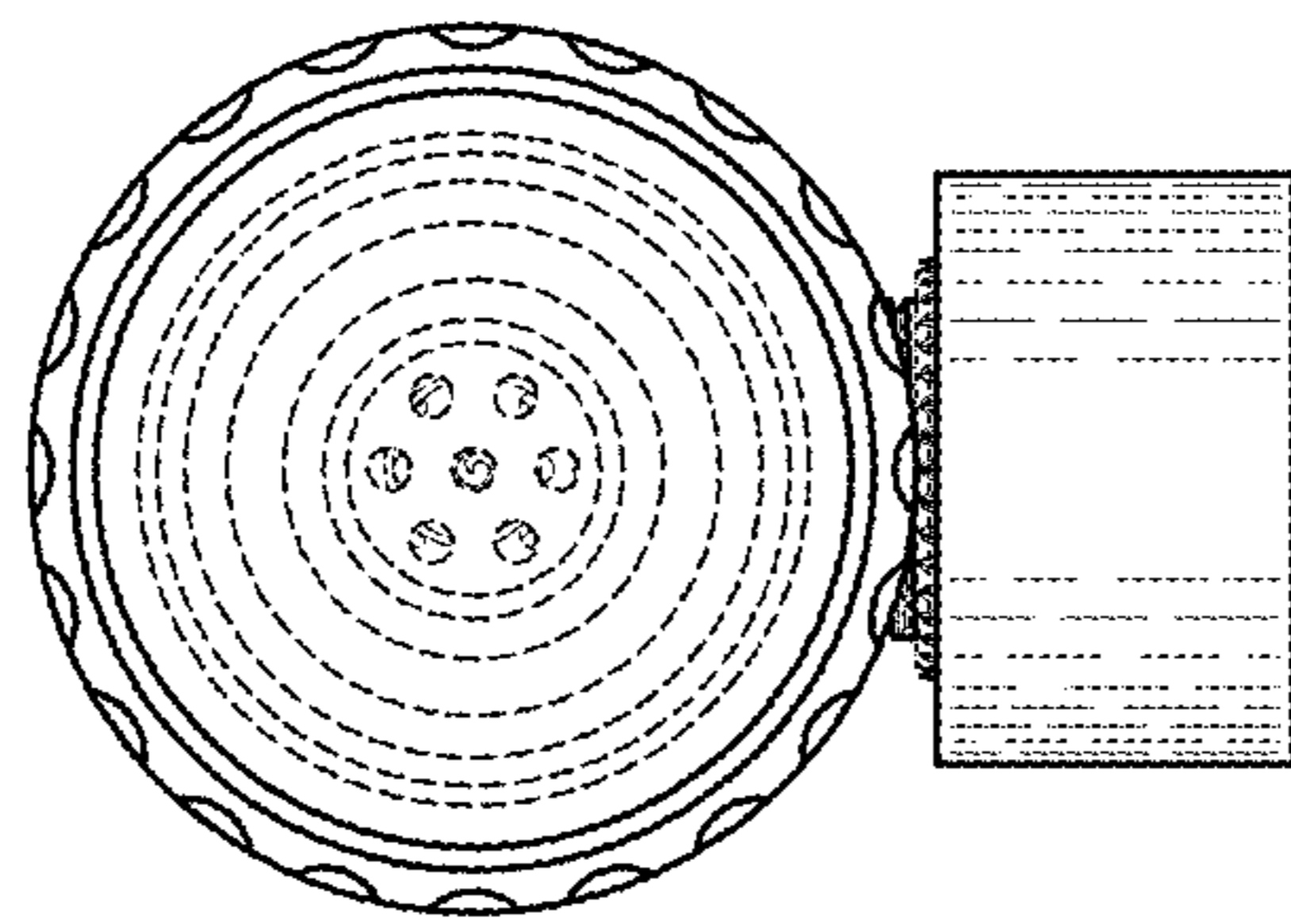


FIG. 12