



US00D822893S

(12) **United States Design Patent**
McVey et al.

(10) **Patent No.:** **US D822,893 S**
(45) **Date of Patent:** **** Jul. 10, 2018**

(54) **MULTI-SEGMENTED CORRIDOR LIGHT**

(71) Applicant: **Rauland-Borg Corporation**, Mount Prospect, IL (US)

(72) Inventors: **Patrick J. McVey**, Palatine, IL (US);
Xinyi Wang, Schaumburg, IL (US)

(73) Assignee: **Rauland-Borg Corporation**, Mount Prospect, IL (US)

(**) Term: **15 Years**

(21) Appl. No.: **29/600,131**

(22) Filed: **Apr. 10, 2017**

Related U.S. Application Data

(62) Division of application No. 29/537,099, filed on Aug. 21, 2015, now Pat. No. Des. 783,880.

(51) **LOC (11) Cl.** **26-99**

(52) **U.S. Cl.**
USPC **D26/142**

(58) **Field of Classification Search**
USPC D26/72, 85, 87, 92, 118, 120, 122, 138,
D26/142, 145, 155
CPC F21S 8/03; F21S 8/033; F21S 8/035; F21S
8/036; F21S 8/037; F21V 1/146; F21V
3/0409; F21V 7/041; F21V 7/043; F21V
7/045; F21V 7/046; F21V 7/05; F21V
7/06
See application file for complete search history.

(56) **References Cited**

U.S. PATENT DOCUMENTS

2,293,672 A * 8/1942 Bookman, Jr. F21V 3/02
362/355
D162,345 S 3/1951 Roney
2,640,913 A * 6/1953 Little F21S 8/033
362/307

D175,007 S * 6/1955 Bentsen D26/87
2,824,216 A 2/1958 Brennan
D364,242 S * 11/1995 Fiorato D26/85
D421,663 S 3/2000 Von Kluck
D436,420 S * 1/2001 Hidalgo D26/142
D440,343 S * 4/2001 Littman D26/87
D448,106 S * 9/2001 Lin D26/87
D452,031 S 12/2001 Brunner et al.
D454,971 S * 3/2002 Crosby D26/85
D455,223 S * 4/2002 Crosby D26/85
D455,518 S * 4/2002 Littman D26/87
D457,260 S * 5/2002 Littman D26/87
D457,679 S * 5/2002 Littman D26/87
D460,835 S * 7/2002 Chen D26/75
D483,907 S 12/2003 Chandler
D589,201 S 3/2009 Sabernig

(Continued)

Primary Examiner — Clare E Heflin

(74) *Attorney, Agent, or Firm* — Leydig, Voit & Mayer, Ltd.

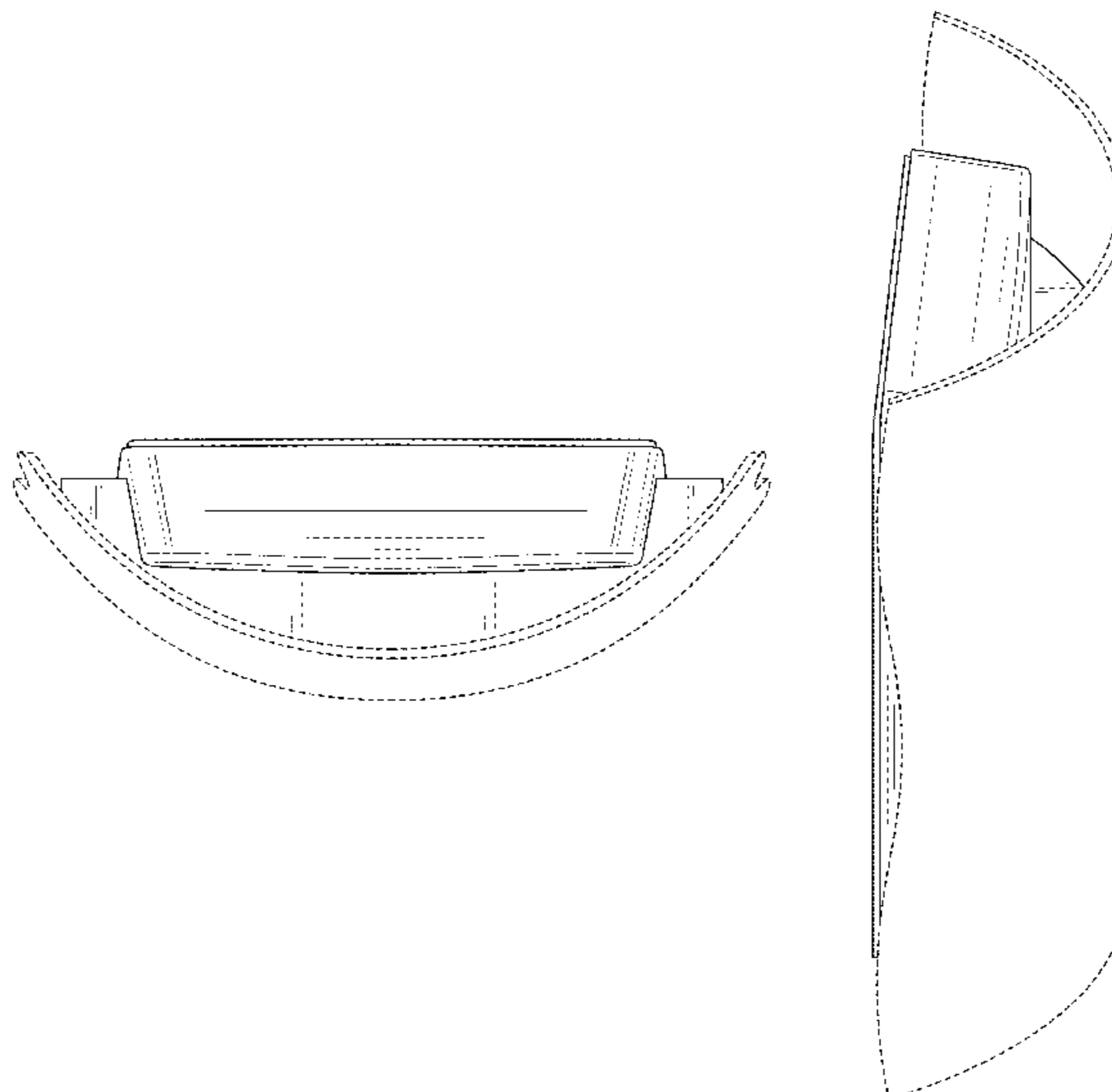
(57) **CLAIM**

The ornamental design for a multi-segmented corridor light, as shown and described.

DESCRIPTION

FIG. 1 is a top side view of a multi-segmented corridor light showing an embodiment of our new design; FIG. 2 is a bottom side view of the multi-segmented corridor light shown in FIG. 1; and, FIG. 3 is a left side perspective view of the multi-segmented corridor light shown in FIG. 1, and only the left side perspective view is provided as the right side perspective view is a mirror image. The broken lines shown in the drawings represent portions of the multi-segment corridor light that form no part of the claimed design. A rear view has been excluded from the figures, as the rear view is flat and devoid of surface ornamentation.

1 Claim, 3 Drawing Sheets



(56)

References Cited

U.S. PATENT DOCUMENTS

D589,639	S	*	3/2009	Silver	D26/85
D601,746	S		10/2009	Sabernig		
D626,275	S	*	10/2010	Sabernig	D26/85
D633,641	S	*	3/2011	Wauters	D26/76
D634,049	S	*	3/2011	Wauters	D26/85
D646,425	S	*	10/2011	Crosby	D26/85
D647,663	S	*	10/2011	Chen	D26/87
D662,251	S	*	6/2012	Wauters	D26/85
D697,656	S		1/2014	Sabernig		
D713,088	S		9/2014	Kitts		
8,827,505	B1		9/2014	Senkyr et al.		
D715,477	S	*	10/2014	Yu	D26/85
D774,681	S	*	12/2016	Liang	D26/72
D783,880	S	*	4/2017	McVey	D26/85
D800,948	S	*	10/2017	Xiang	D26/92

* cited by examiner

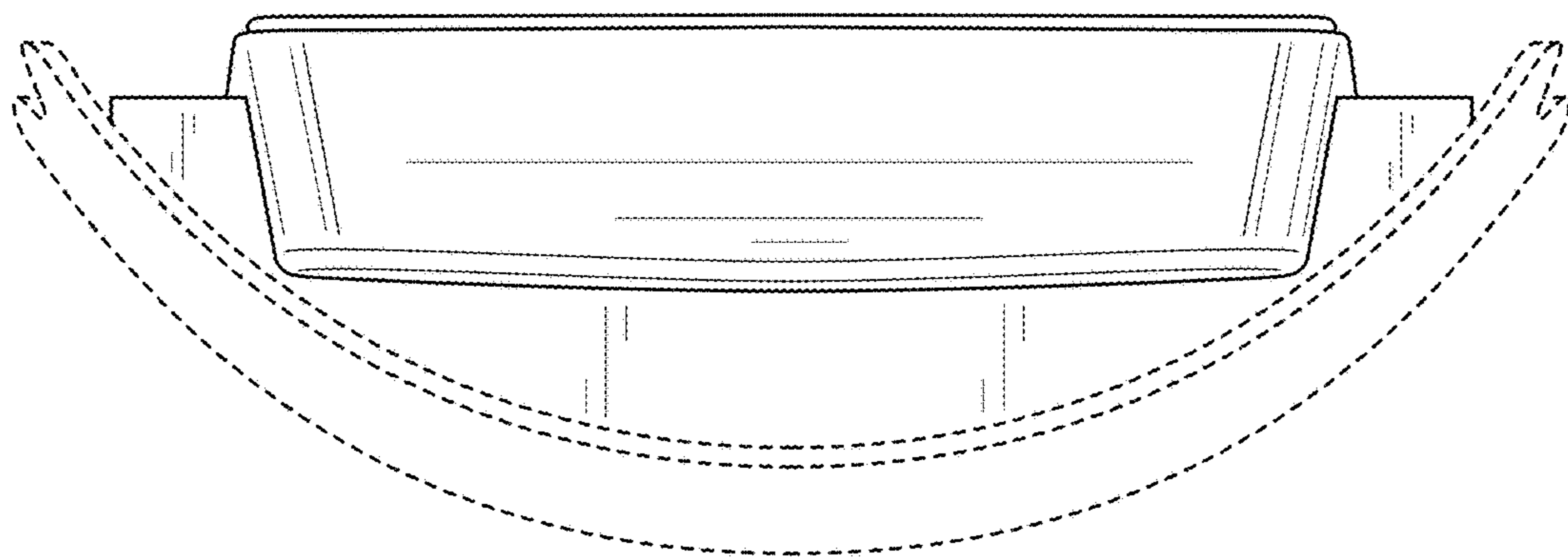


FIG. 1

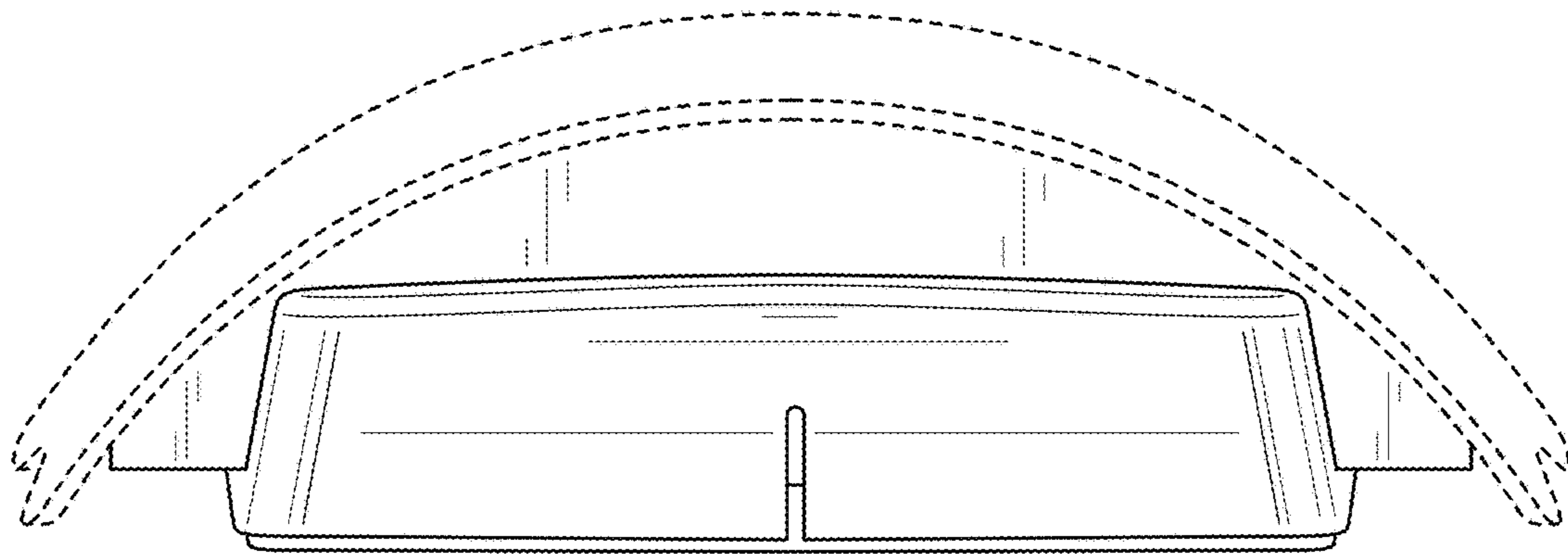


FIG. 2

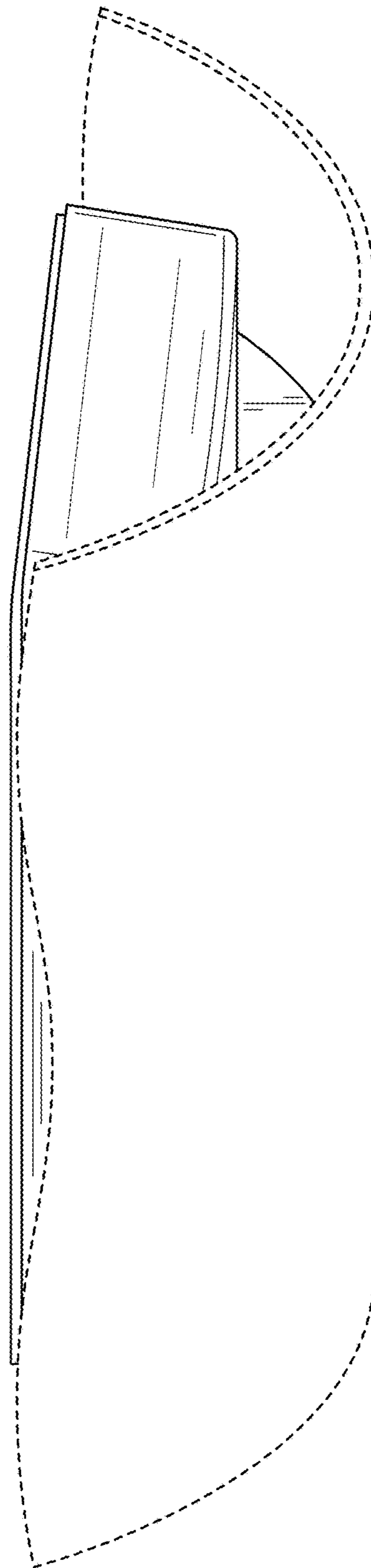


FIG. 3