



US00D822892S

(12) **United States Design Patent**
McVey et al.

(10) **Patent No.:** **US D822,892 S**
(45) **Date of Patent:** **** Jul. 10, 2018**

(54) **MULTI-SEGMENTED CORRIDOR LIGHT**

(71) Applicant: **Rauland-Borg Corporation**, Mount Prospect, IL (US)

(72) Inventors: **Patrick J. McVey**, Palatine, IL (US);
Xinyi Wang, Schaumburg, IL (US)

(73) Assignee: **Rauland-Borg Corporation**, Mount Prospect, IL (US)

(**) Term: **15 Years**

(21) Appl. No.: **29/600,109**

(22) Filed: **Apr. 10, 2017**

Related U.S. Application Data

(62) Division of application No. 29/537,099, filed on Aug. 21, 2015, now Pat. No. Des. 783,880.

(51) **LOC (11) Cl.** **26-99**

(52) **U.S. Cl.**
USPC **D26/142**

(58) **Field of Classification Search**
USPC D26/72, 85, 87, 92, 118, 120, 122, 138,
D26/142, 145, 155
CPC F21S 8/03; F21S 8/033; F21S 8/035; F21S
8/036; F21S 8/037; F21V 1/146; F21V
3/0409; F21V 7/041; F21V 7/043; F21V
7/045; F21V 7/046; F21V 7/05; F21V
7/06

See application file for complete search history.

(56) **References Cited**

U.S. PATENT DOCUMENTS

D85,401 S * 10/1931 Stroud D26/122
2,293,672 A 8/1942 Bookman
D134,350 S * 11/1942 Cadwallader D26/122
D162,345 S 3/1951 Roney
2,640,913 A 6/1953 Little

D175,007 S * 6/1955 Bentsen D26/87
2,824,216 A 2/1958 Brennan
D267,352 S * 12/1982 Suzuki D26/118
D421,663 S 3/2000 Von Kluck
D436,420 S * 1/2001 Hidalgo D26/142
D448,106 S * 9/2001 Lin D26/87
D452,031 S 12/2001 Brunner et al.
D454,971 S * 3/2002 Crosby D26/85
D455,223 S * 4/2002 Crosby D26/85
D483,907 S 12/2003 Chandler
7,419,294 B2 * 9/2008 Lai F21S 8/035
362/606
D589,201 S 3/2009 Sabernig
D601,746 S 10/2009 Sabernig
D626,275 S * 10/2010 Sabernig D26/85

(Continued)

Primary Examiner — Clare E Heflin

(74) *Attorney, Agent, or Firm* — Leydig, Voit & Mayer,
Ltd.

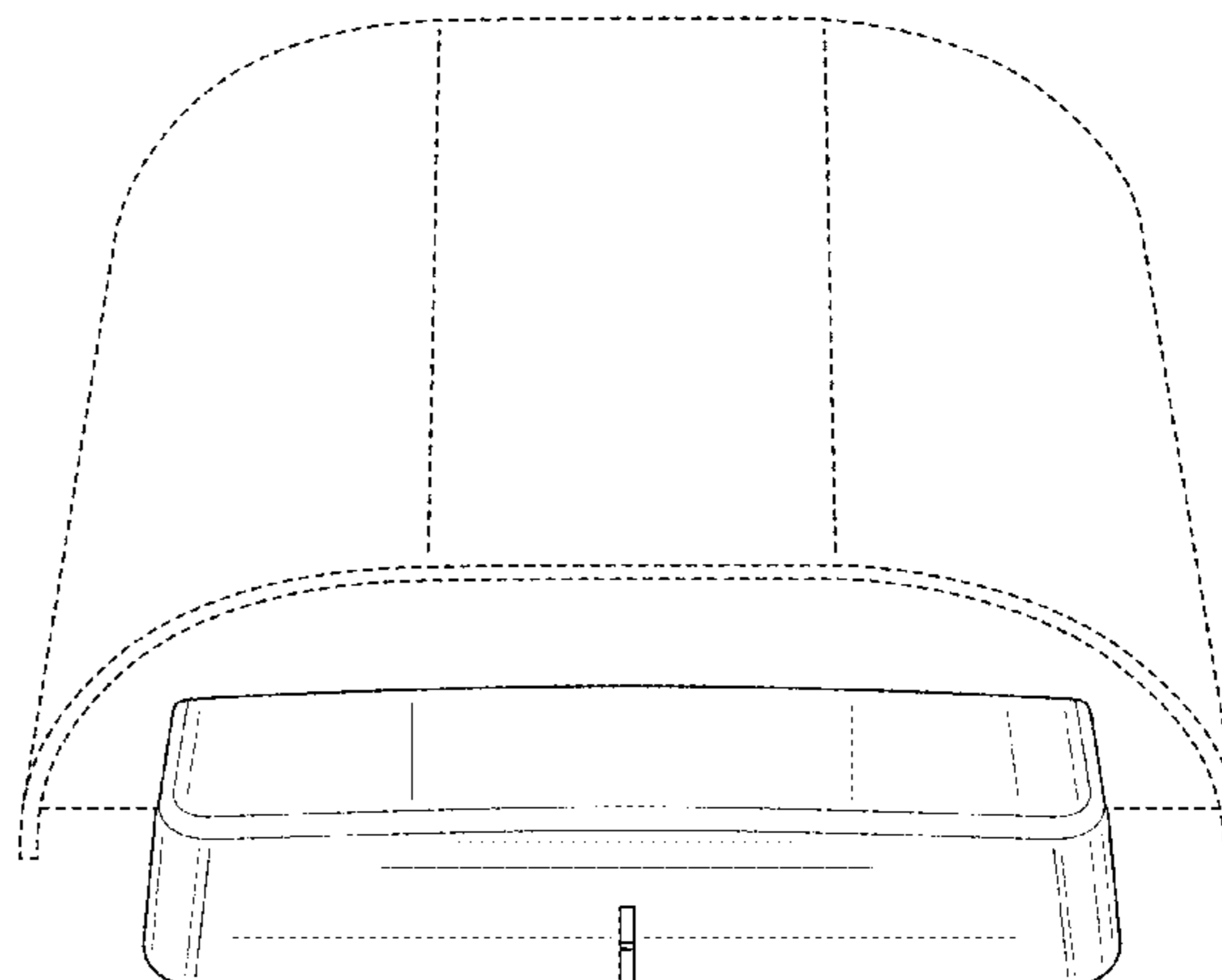
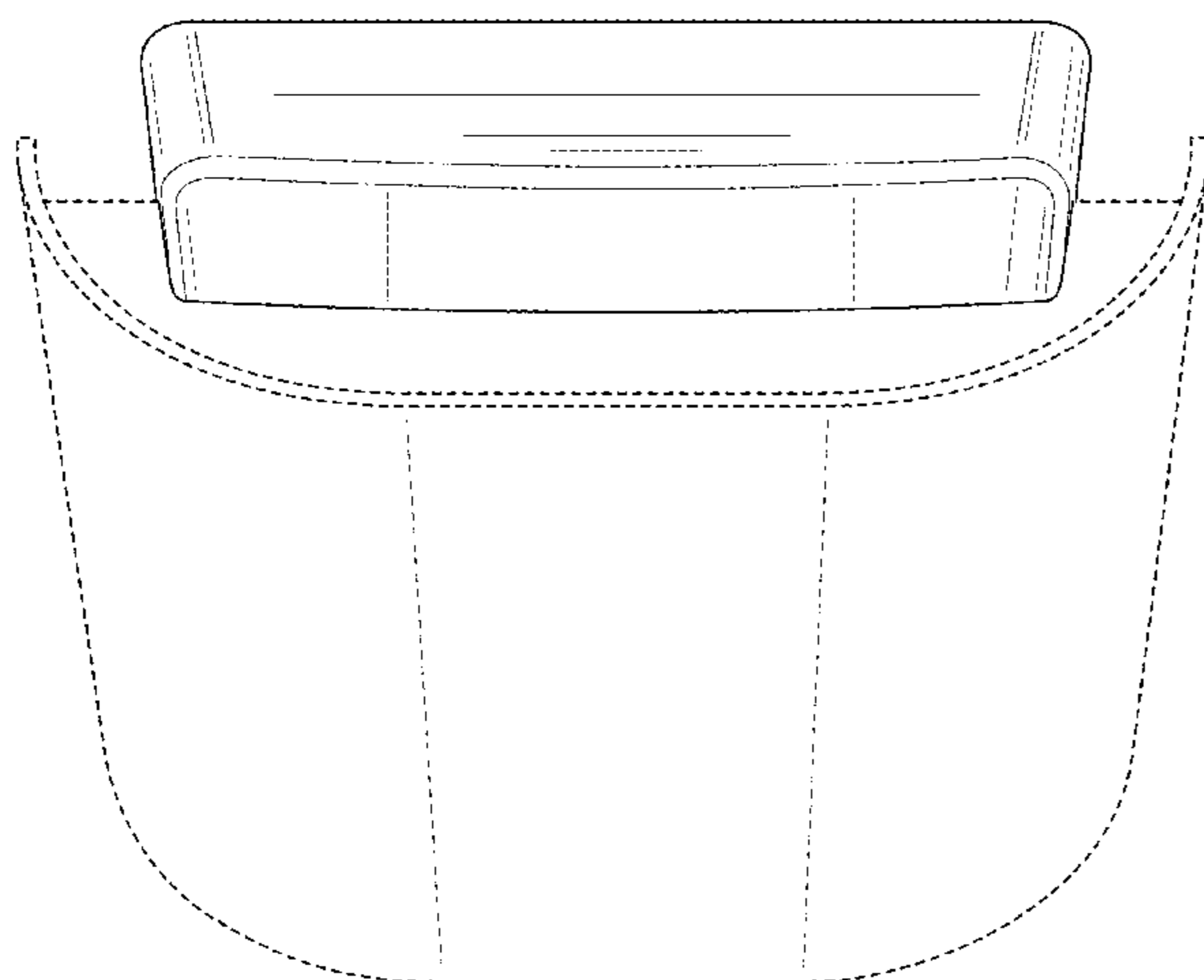
(57) **CLAIM**

The ornamental design for a multi-segmented corridor light, as shown and described.

DESCRIPTION

FIG. 1 is a front view of a multi-segmented corridor light showing an embodiment of our new design; FIG. 2 is a top side perspective view for the multi-segmented corridor light shown in FIG. 1; FIG. 3 is a bottom side perspective view of the multi-segmented corridor light shown in FIG. 1; and, FIG. 4 is a left side view of the multi-segmented corridor light shown in FIG. 1, and only the left side view is provided as the right side view is a mirror image. The broken lines shown in the drawings represent portions of the multi-segment corridor light that form no part of the claimed design. A rear view has been excluded from the figures, as the rear view is flat and devoid of surface ornamentation.

1 Claim, 4 Drawing Sheets



(56)

References Cited

U.S. PATENT DOCUMENTS

D627,916	S	*	11/2010	Butteris	D26/85
D633,641	S	*	3/2011	Wauters	D26/76
D634,049	S	*	3/2011	Wauters	D26/85
D646,425	S		10/2011	Crosby		
D647,663	S	*	10/2011	Chen	D26/87
D662,251	S	*	6/2012	Wauters	D26/85
D697,656	S		1/2014	Sabernig		
D713,088	S		9/2014	Kitts		
8,827,505	B1		9/2014	Senkyr et al.		
8,979,353	B2	*	3/2015	Wilson	B60Q 3/74 362/217.13
D774,681	S	*	12/2016	Liang	D26/72
D783,879	S	*	4/2017	Dolan	D26/85
D783,880	S	*	4/2017	McVey	D26/85
D800,948	S	*	10/2017	Xiang	D26/92

* cited by examiner

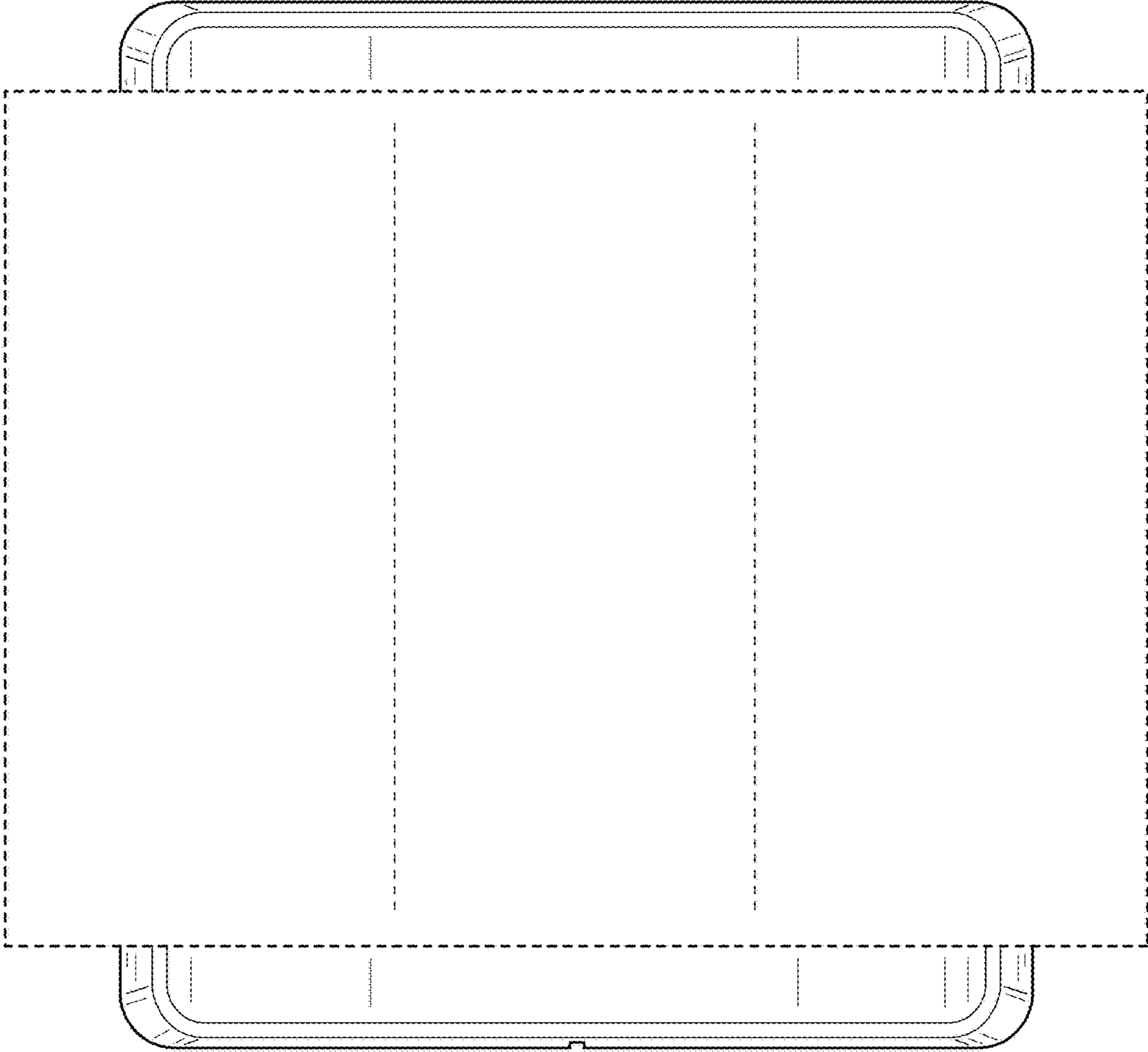


FIG. 1

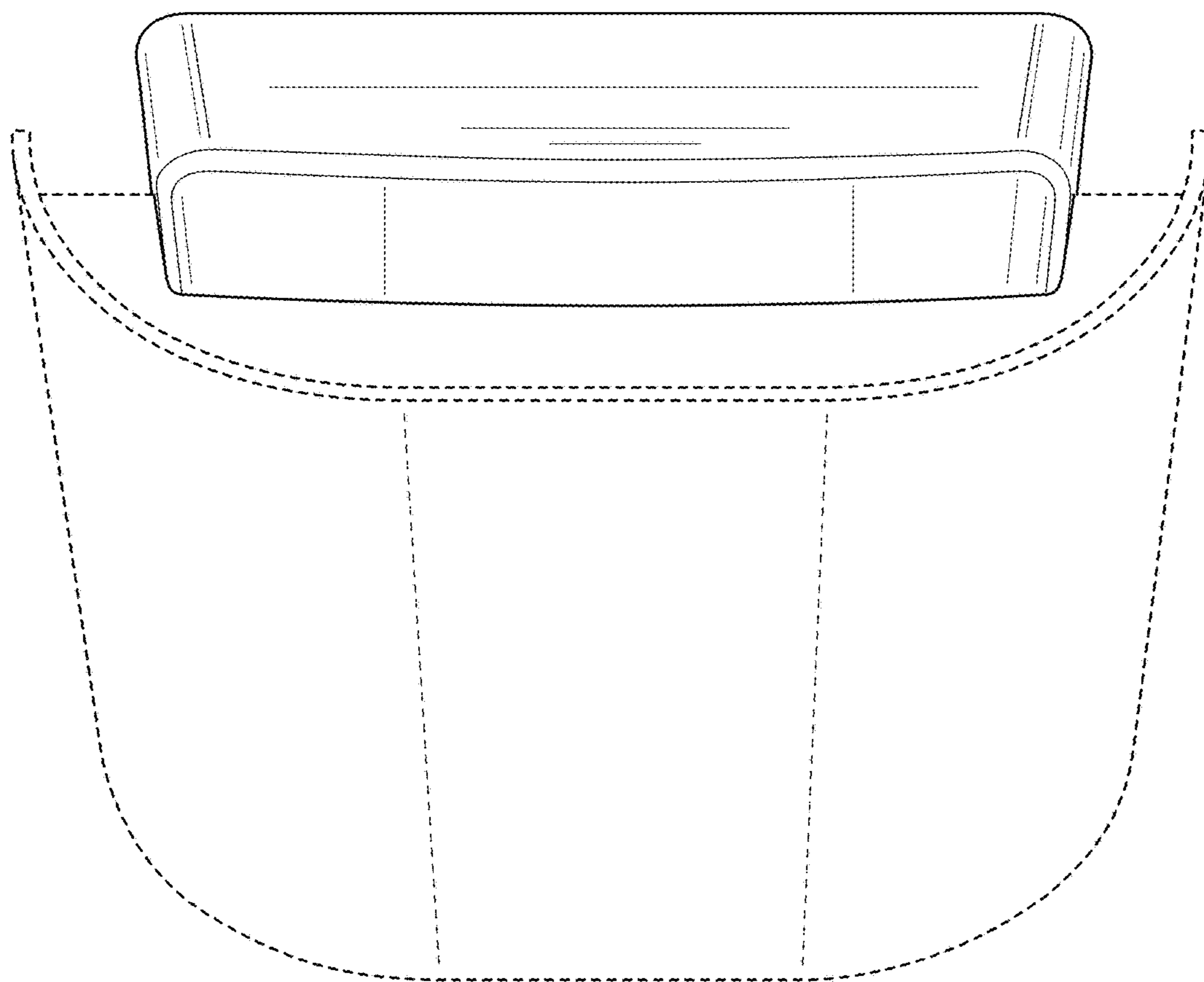


FIG. 2

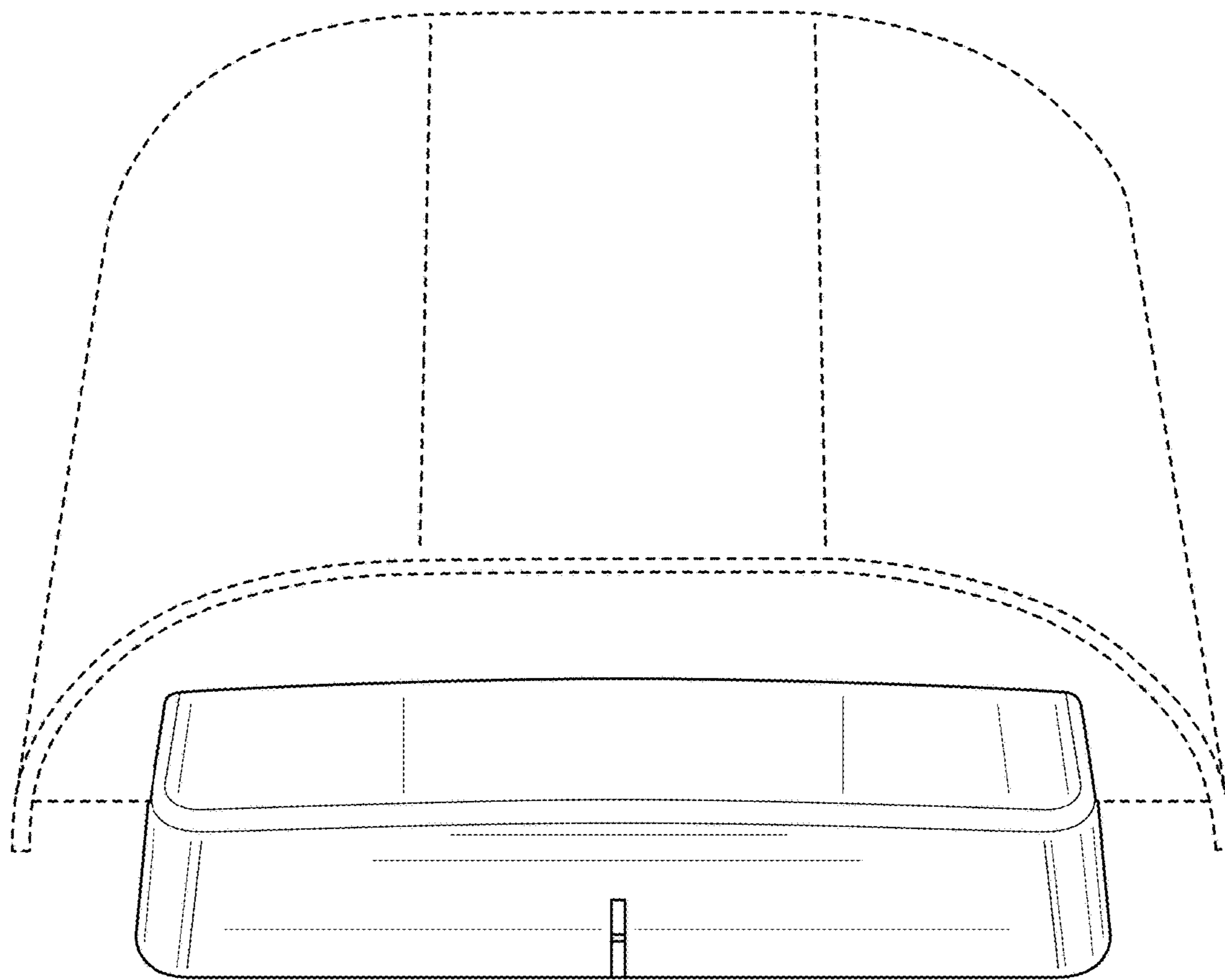


FIG. 3

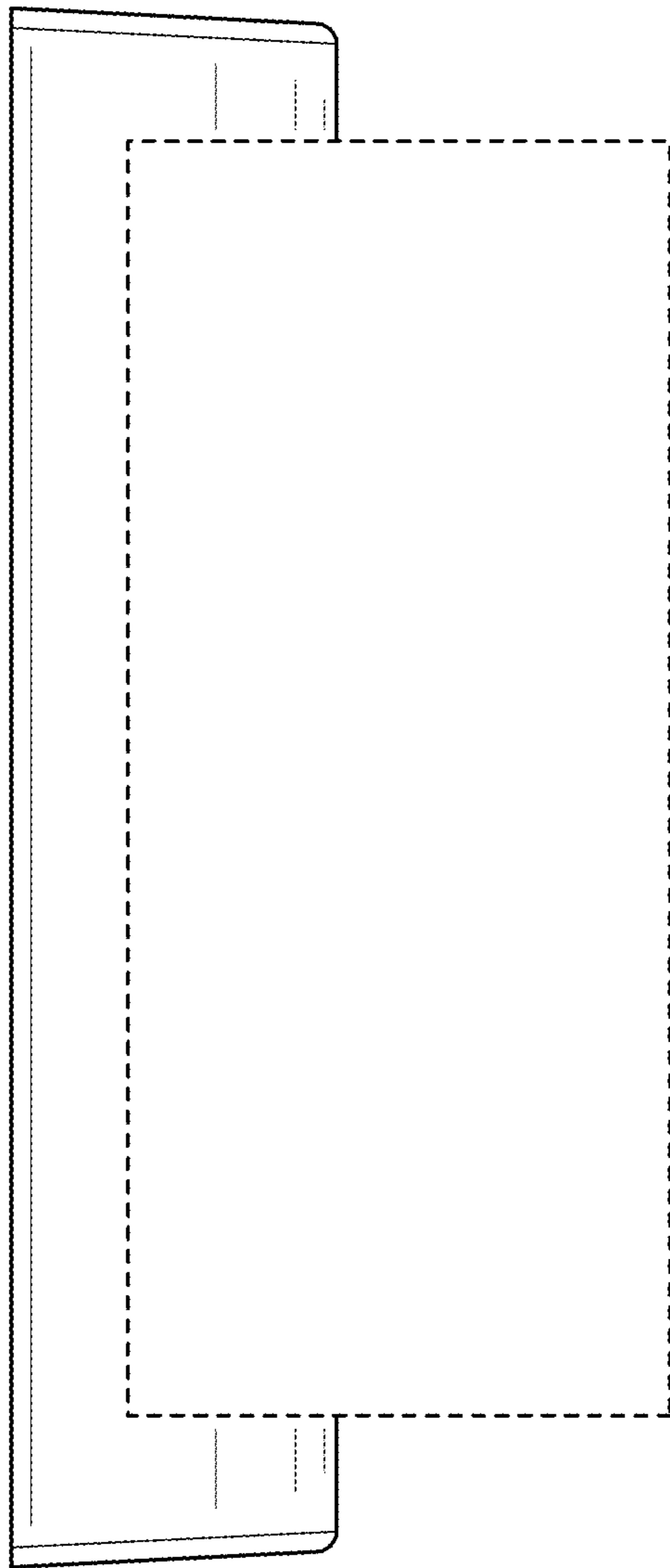


FIG. 4