



US00D822891S

(12) **United States Design Patent**
Hamer et al.

(10) **Patent No.:** **US D822,891 S**

(45) **Date of Patent:** **** Jul. 10, 2018**

(54) **NON-REVERSIBLE LAMPHOLDER**

(71) Applicant: **OLEDWorks LLC**, Rochester, NY (US)

(72) Inventors: **John Hamer**, Rochester, NY (US); **Michael Scott Garner**, North Barrington, IL (US); **Bruno Primerano**, Honeoye Falls, NY (US); **Jeffrey Jackson**, Warsaw, NY (US); **Steve Rapp**, Rochester, NY (US)

(73) Assignee: **OLEDWORKS, LLC**, Rochester, NY (US)

(**) Term: **15 Years**

(21) Appl. No.: **29/595,044**

(22) Filed: **Feb. 24, 2017**

(51) **LOC (11) Cl.** **26-05**

(52) **U.S. Cl.**
USPC **D26/138; D26/142**

(58) **Field of Classification Search**
USPC D26/1, 24, 26-28, 37-50, 60-66, 72-76, D26/113, 118, 119, 120, 121, 122, 180; D2/742; D14/218; D12/110, 114
CPC F21Y 2103/30; F21Y 2107/30; F21V 29/507; F21V 29/004; F21V 29/677; F21V 29/60; F21V 5/04
See application file for complete search history.

(56) **References Cited**

U.S. PATENT DOCUMENTS

D401,369 S * 11/1998 McClintock D26/37
D542,963 S * 5/2007 Zucker D26/121

D598,603 S * 8/2009 Cunius D26/138
D693,051 S * 11/2013 Klu D26/138
D711,041 S * 8/2014 Cortez-Rucker D26/138
D727,560 S * 4/2015 Jeswani D26/138
D748,321 S * 1/2016 Grimm D26/128
D777,366 S * 1/2017 Kitts D26/88
2010/0182533 A1* 7/2010 Koh G02F 1/133604
349/61
2014/0139119 A1* 5/2014 Trolese F21S 8/024
315/154
2014/0140064 A1* 5/2014 Trolese H01H 23/00
362/276

* cited by examiner

Primary Examiner — John Windmuller
Assistant Examiner — Benjamin M Weeks

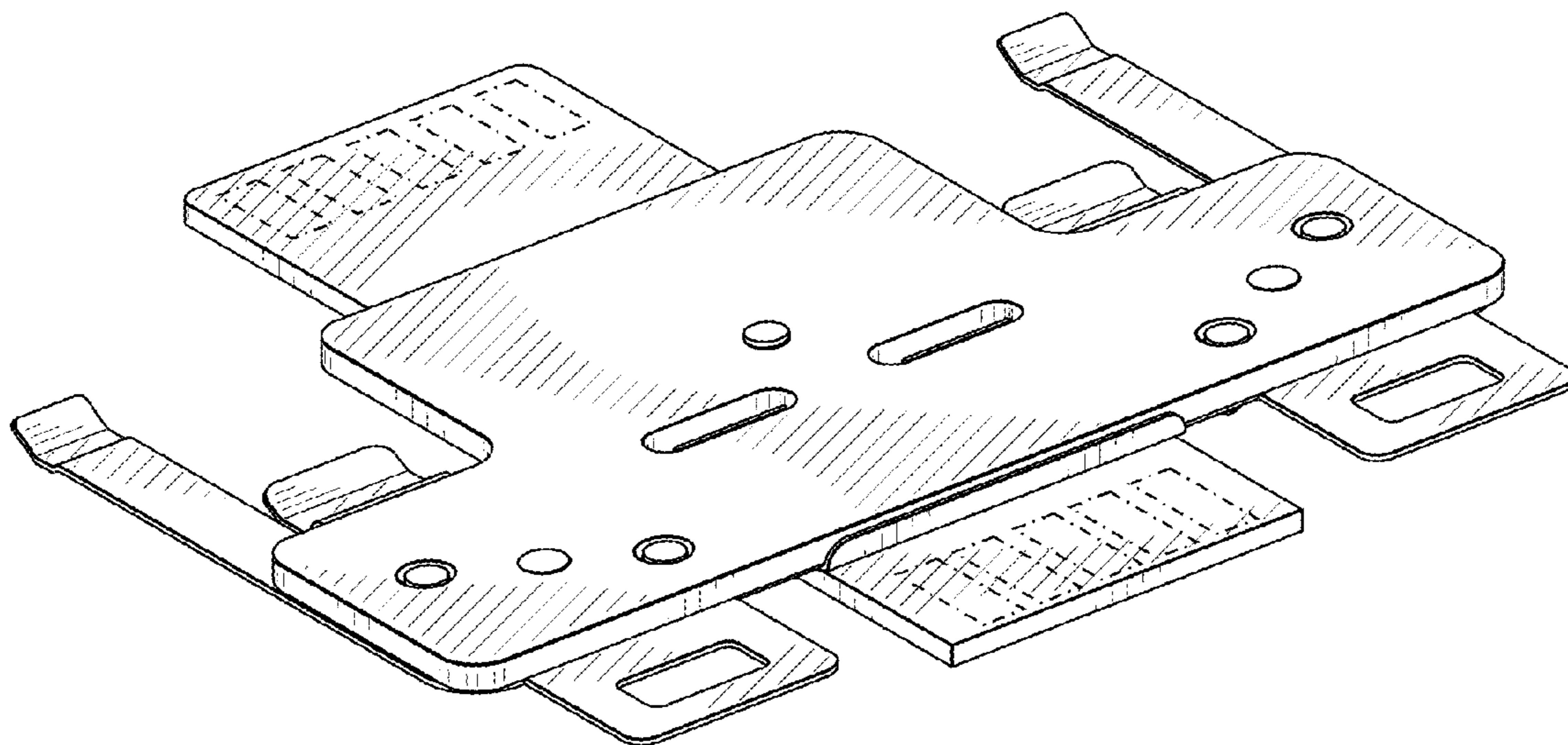
(57) **CLAIM**

The ornamental design for a non-reversible lampholder, substantially as shown and described.

DESCRIPTION

FIG. 1 is a top perspective view of a non-reversible lampholder showing our new design, wherein the darker solid lines indicate structural features thereof and lighter lines are used to indicate contour;
FIG. 2 is a top plan view of our new design;
FIG. 3 is a front plan view of our new design;
FIG. 4 is a bottom plan view of our new design;
FIG. 5 is a rear plan view of our new design; and,
FIG. 6 is a left side plan view of our new design, the right side being a mirror image thereto.
The broken lines in the figures form no part of the claimed design.

1 Claim, 4 Drawing Sheets



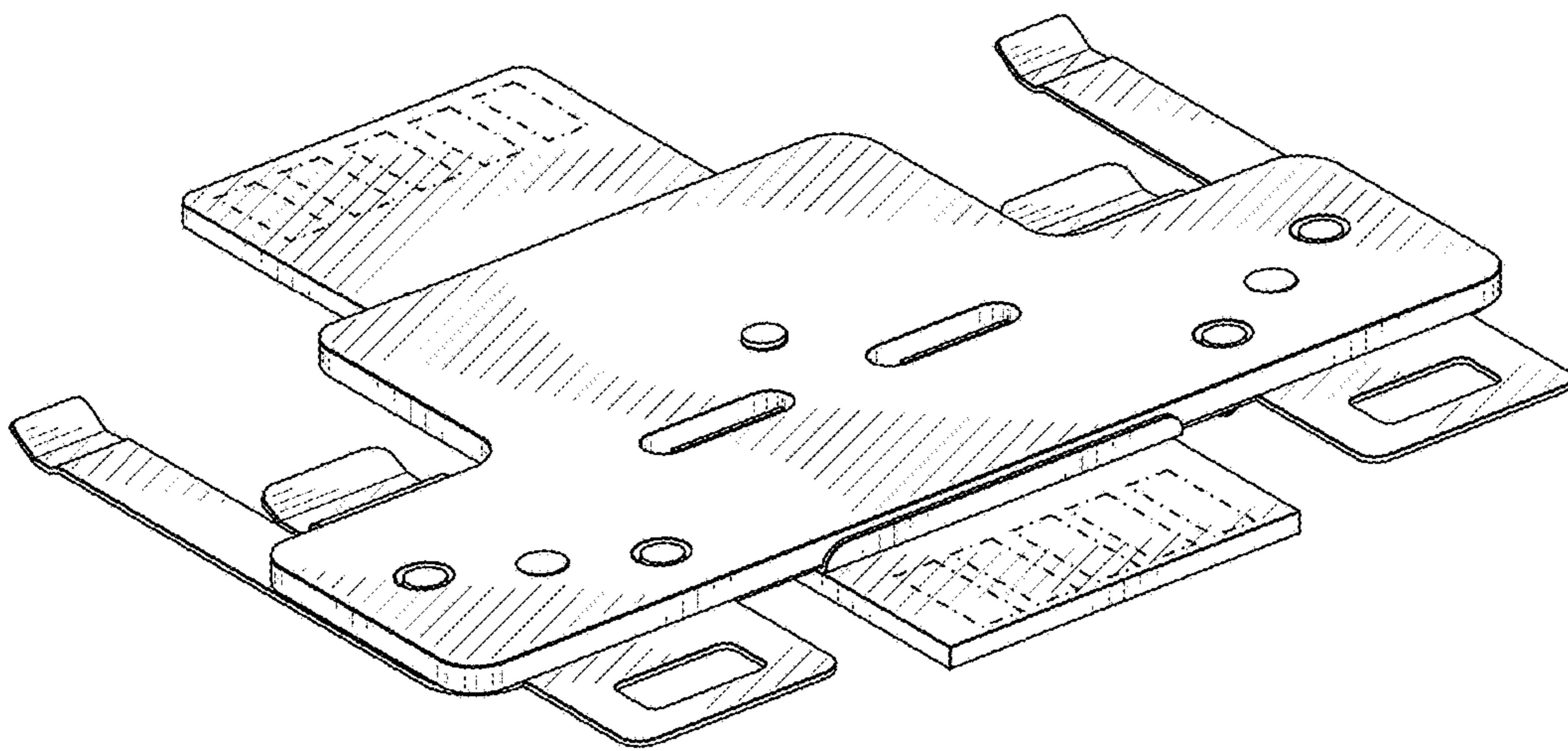


FIG. 1

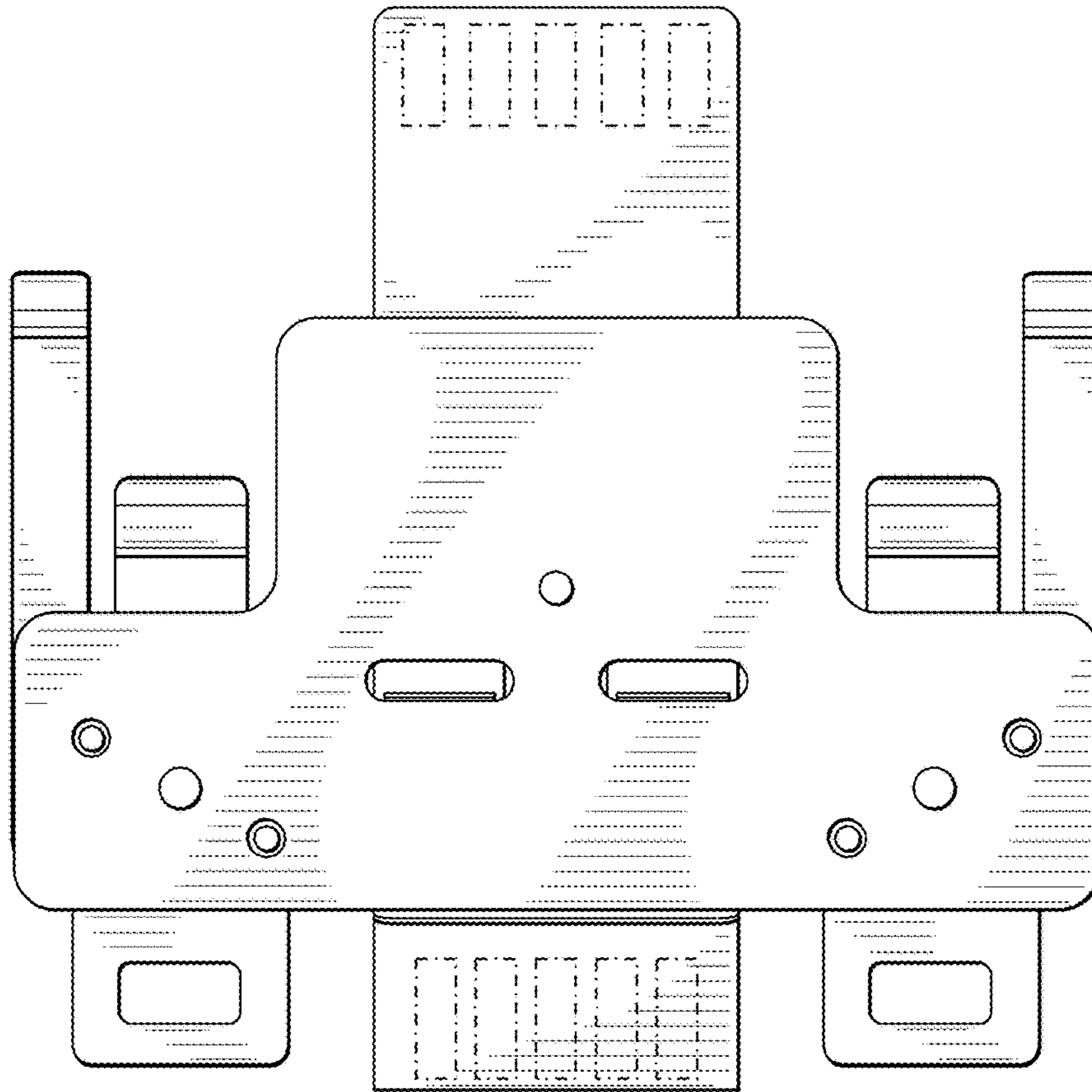


FIG. 2

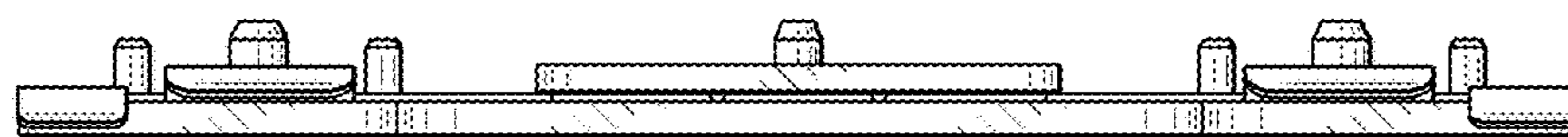


FIG. 3

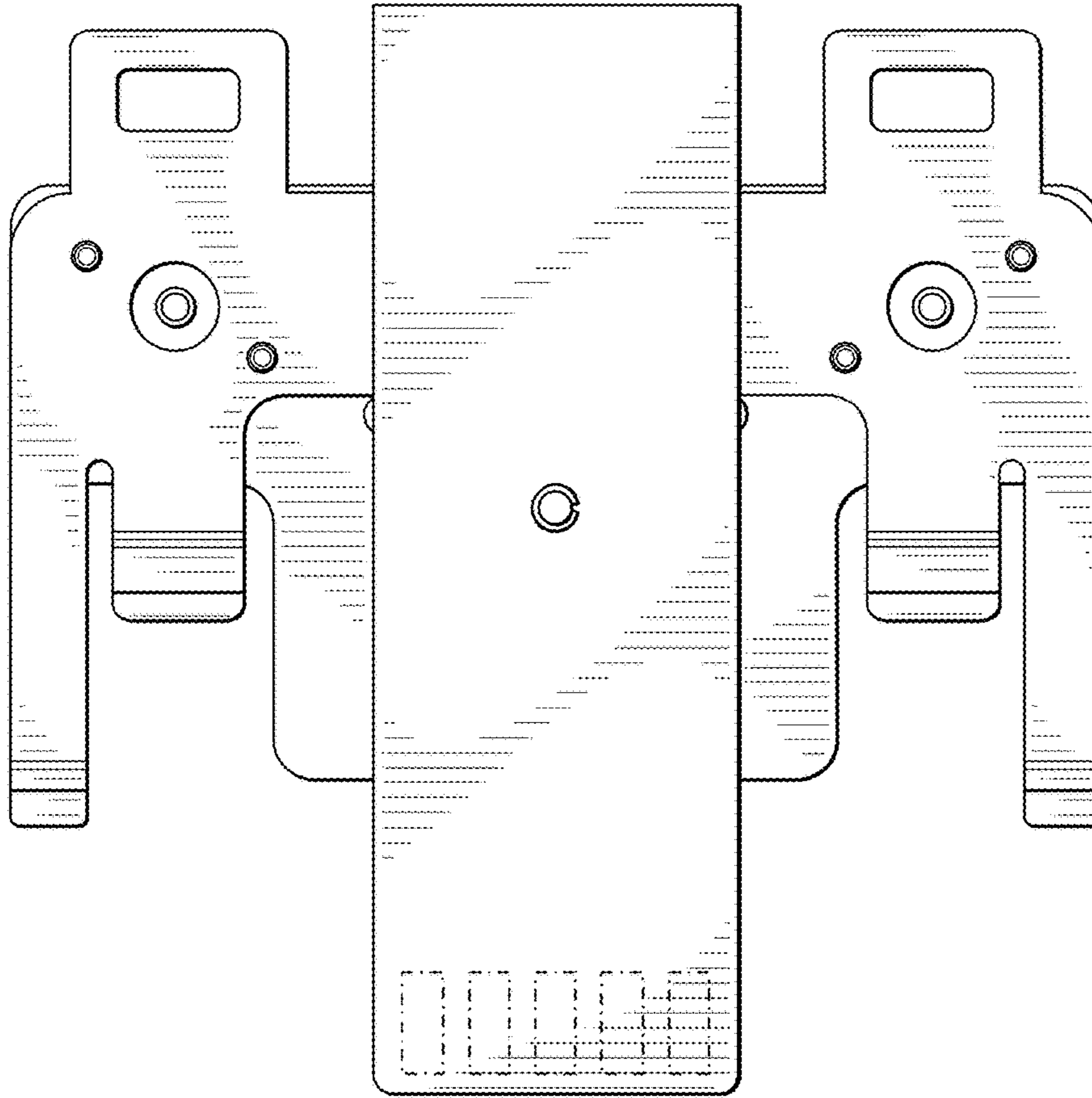


FIG. 4

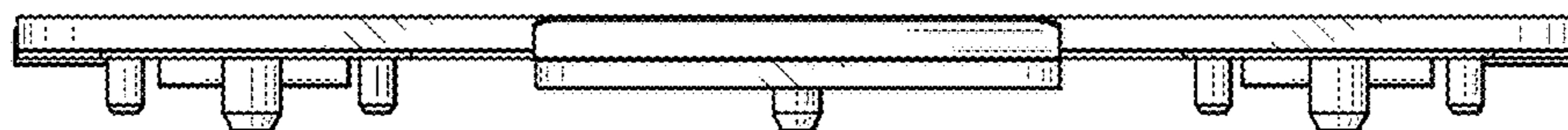


FIG. 5

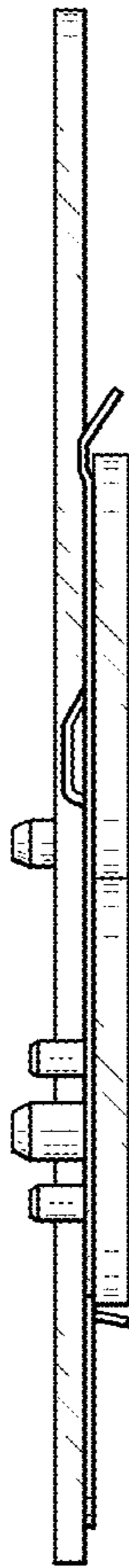


FIG. 6