



US00D822889S

(12) **United States Design Patent** (10) **Patent No.:** **US D822,889 S**
Cartellone et al. (45) **Date of Patent:** **** Jul. 10, 2018**

(54) **LED ENDCAP**
(71) Applicant: **Energy Focus, Inc.**, Solon, OH (US)
(72) Inventors: **Mark Cartellone**, Broadview Heights, OH (US); **Brian Milliff**, Kirtland, OH (US); **Sara Shipley**, Hudson, OH (US)
(73) Assignee: **ENERGY FOCUS, INC.**, Solon, OH (US)
(**) Term: **15 Years**

D516,511 S 3/2006 Wiskerke
D521,451 S * 5/2006 Wiskerke D13/134
D557,860 S 12/2007 Kitagawa et al.
D560,023 S 1/2008 Kitagawa et al.
D570,533 S * 6/2008 Morgan D26/138
D574,093 S 7/2008 Kitagawa et al.
D603,085 S 10/2009 Kovacs et al.
D603,086 S 10/2009 Zayas
D616,822 S 6/2010 Zayas
D636,528 S * 4/2011 Duster D26/138
D647,665 S 10/2011 Duster
D650,940 S * 12/2011 Katz D26/138

(Continued)

(21) Appl. No.: **29/562,128**
(22) Filed: **Apr. 22, 2016**
(51) **LOC (11) Cl.** **26-05**
(52) **U.S. Cl.**
USPC **D26/138**
(58) **Field of Classification Search**
USPC D26/76, 78, 79, 80, 81, 82, 83, 85, 86,
D26/88, 90, 113, 118, 119, 120, 121, 122,
D26/138, 139, 140, 141, 142, 152
CPC F21S 2/00; F21S 4/00; F21S 4/003; F21S
4/005; F21S 4/006; F21S 4/007; F21S
4/008; F21S 6/00; F21S 8/00; F21S
8/024; F21S 8/026; F21S 8/031; F21S
8/033; F21S 8/035-8/037; F21S 8/04;
F21S 8/043; F21S 8/063
See application file for complete search history.

(56) **References Cited**

U.S. PATENT DOCUMENTS

D291,556 S 8/1987 Engel
D313,084 S * 12/1990 Bramble D26/113
D363,359 S * 10/1995 Henrici D26/28
D386,267 S * 11/1997 Tickner D26/3
D405,415 S * 2/1999 Henrici D13/134
D448,096 S 9/2001 Choi
D452,343 S * 12/2001 Pan D26/138
D513,079 S 12/2005 Kluijfhout et al.
D514,515 S 2/2006 Wiskerke
D514,516 S * 2/2006 Wiskerke D13/134

OTHER PUBLICATIONS

U.S. Notice of Allowance dated Oct. 25, 2017, from U.S. Appl. No. 29/576,367, filed Sep. 2, 2016, 14 pages.

Primary Examiner — George D. Kirschbaum

Assistant Examiner — Natasha Vujcic

(74) *Attorney, Agent, or Firm* — Rankin, Hill & Clark LLP

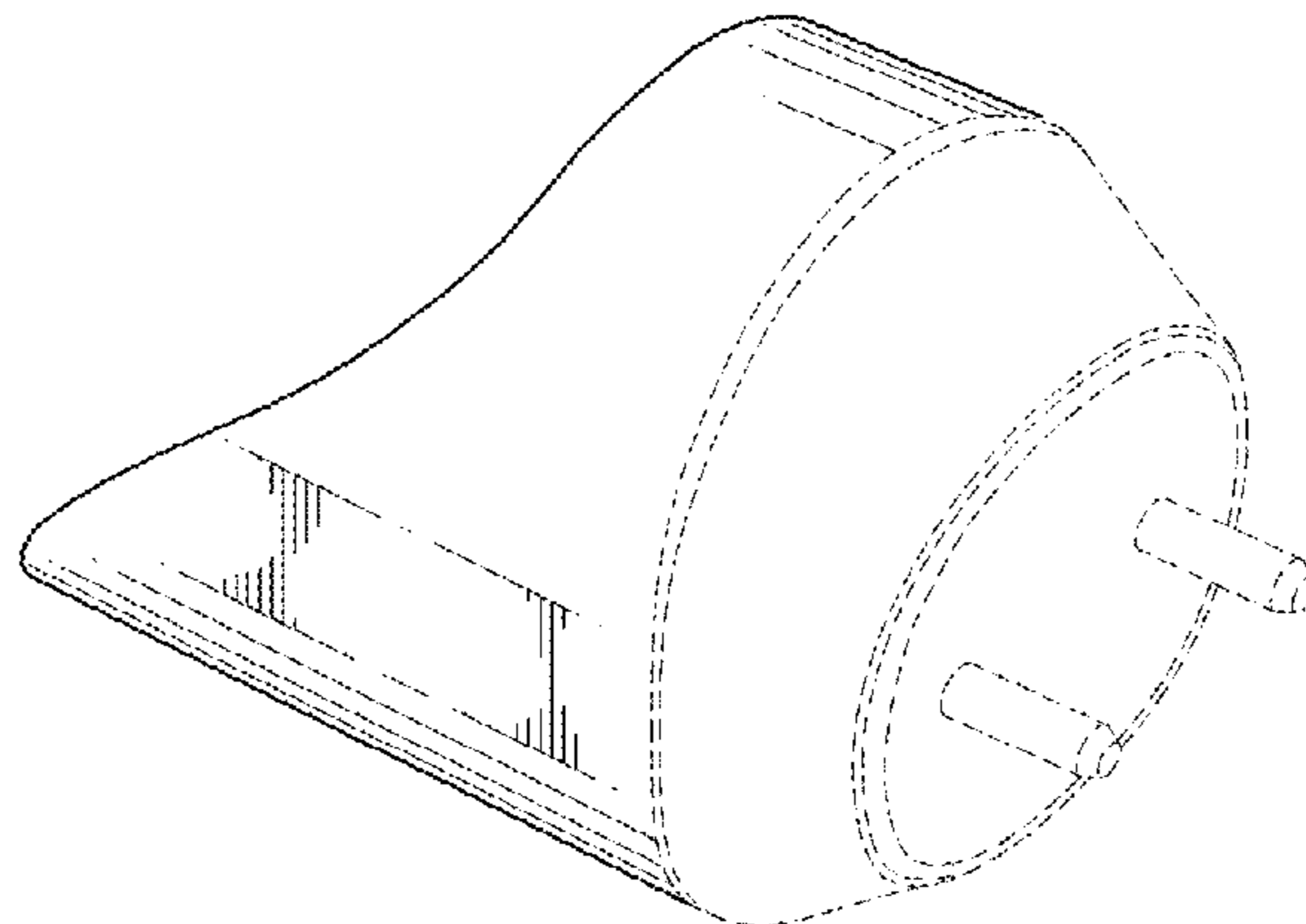
(57) **CLAIM**

The ornamental design for a LED endcap, as shown and described.

DESCRIPTION

FIG. 1 is a front top perspective view of an LED endcap; FIG. 2 is a rear bottom perspective view thereof; FIG. 3 is a front elevation view thereof; FIG. 4 is a rear elevation view thereof; FIG. 5 is a left side elevation view thereof; FIG. 6 is a right side elevation view thereof; FIG. 7 is a top plan view thereof; FIG. 8 is a bottom plan view thereof; and, FIG. 9 is a perspective view of usage thereof. The broken lines in the drawings, which illustrate environmental structure or boundaries of the LED endcap, do not form a part of the claimed design.

1 Claim, 7 Drawing Sheets



(56)

References Cited

U.S. PATENT DOCUMENTS

D663,494 S	*	7/2012	Milliff	D30/199
D715,987 S	*	10/2014	Pugh	D26/113
D744,127 S		11/2015	Glachman	
D755,437 S	*	5/2016	Jackson	D26/113
D770,673 S	*	11/2016	Hasan	D26/138
D783,198 S		4/2017	Cartellone et al.	
D783,199 S	*	4/2017	Cartellone	D26/138
D797,323 S		9/2017	Yang et al.	
D809,703 S	*	2/2018	Lin	D26/138

* cited by examiner

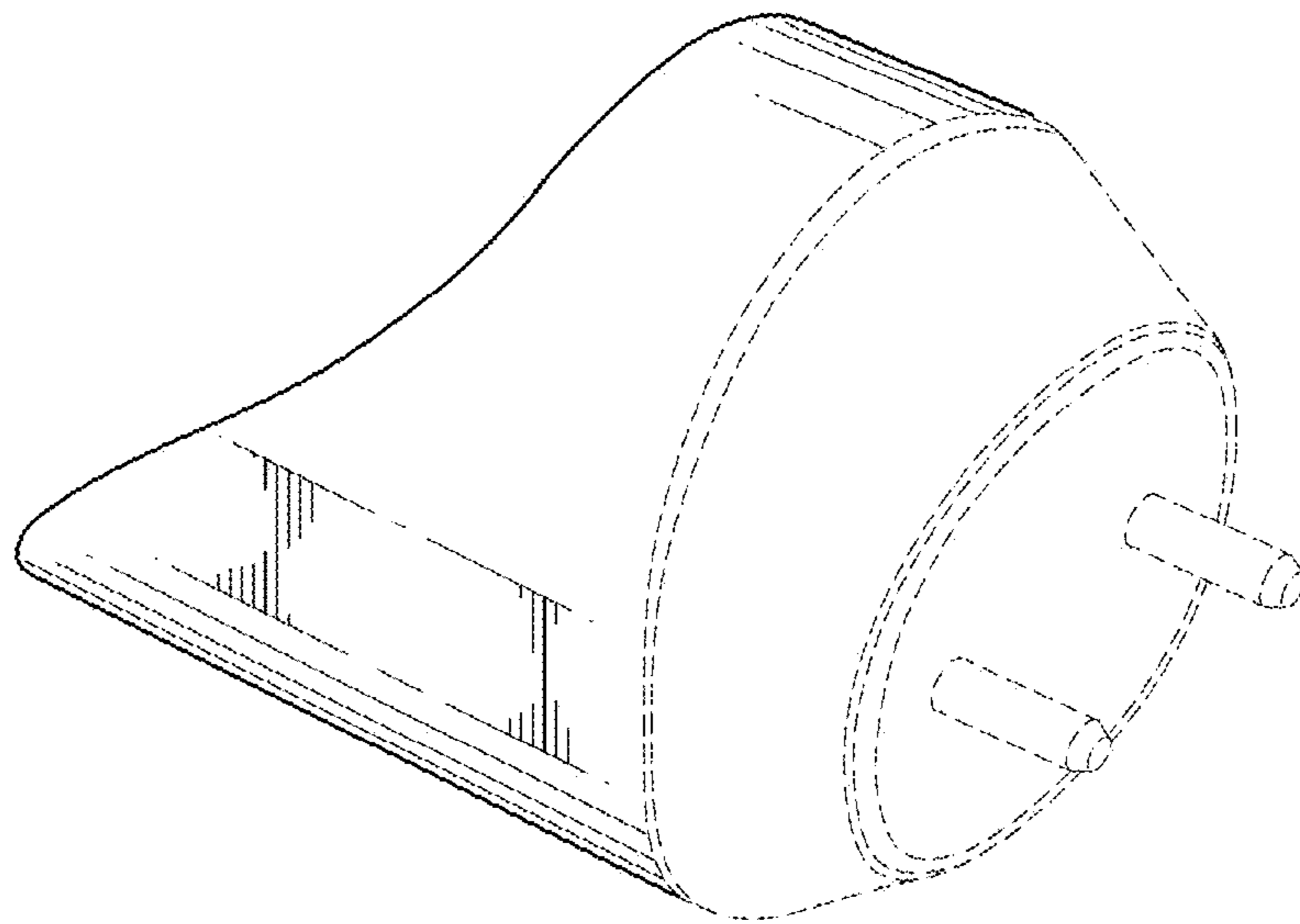


FIG. 1

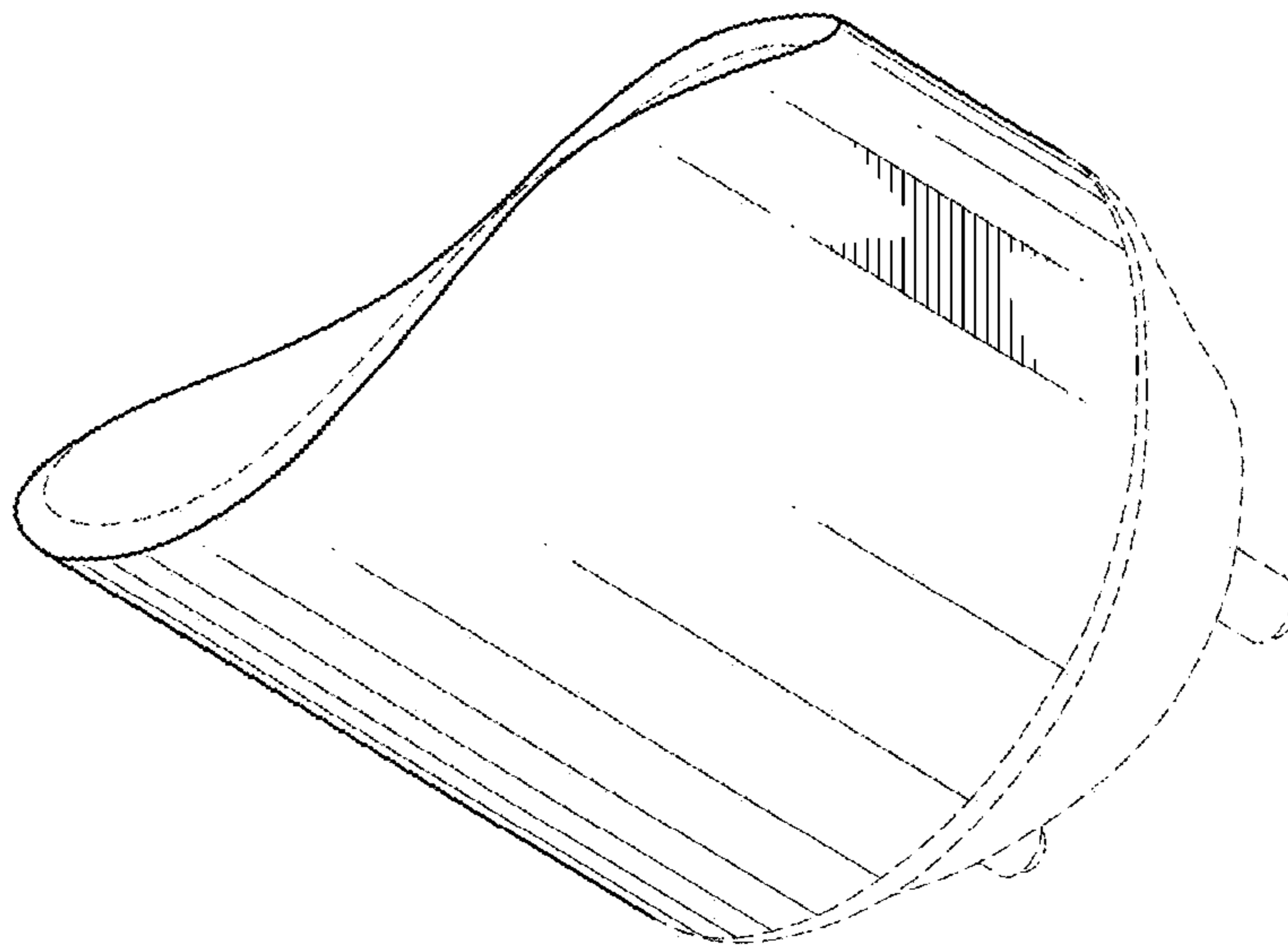


FIG.2

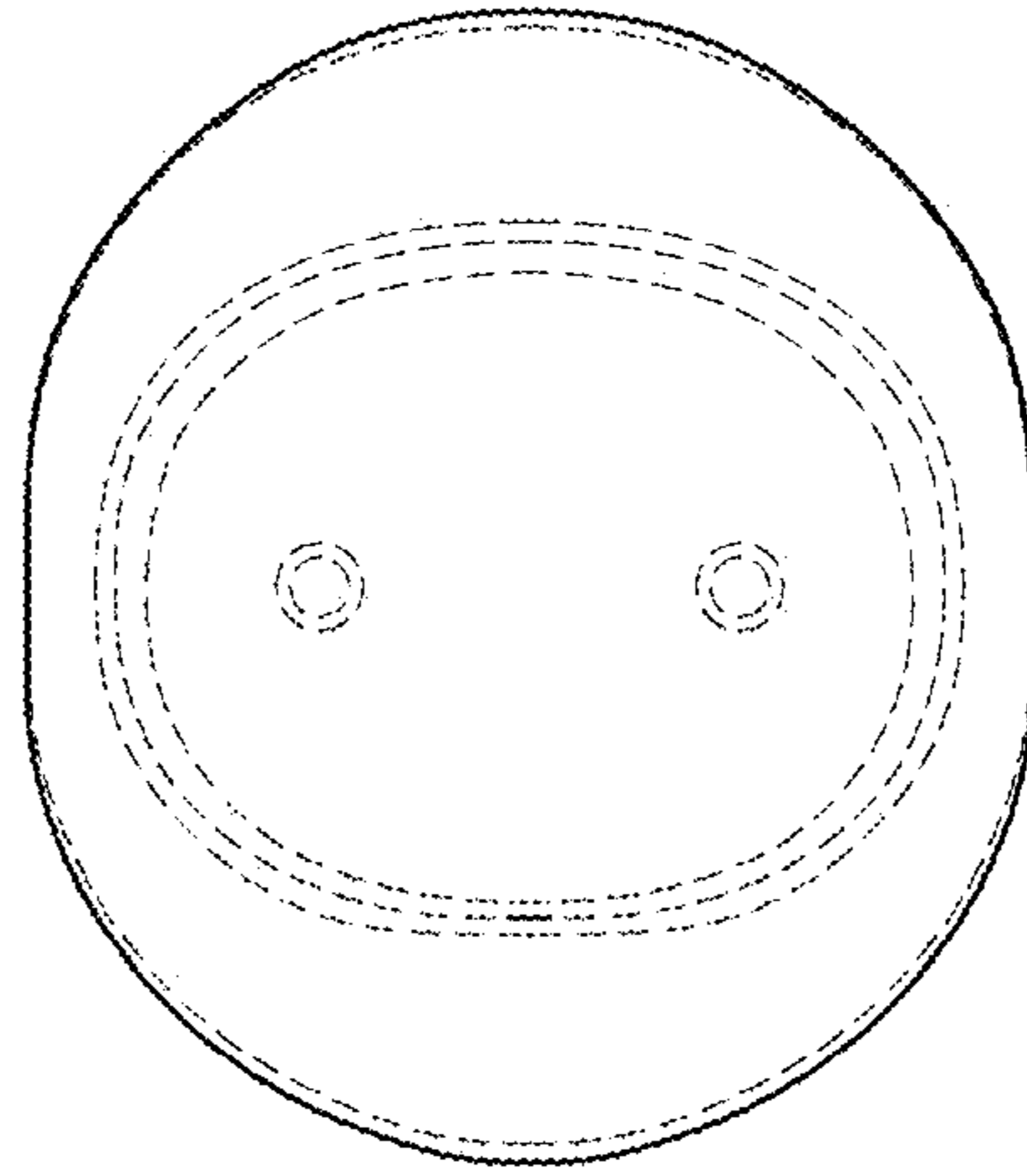


FIG. 3

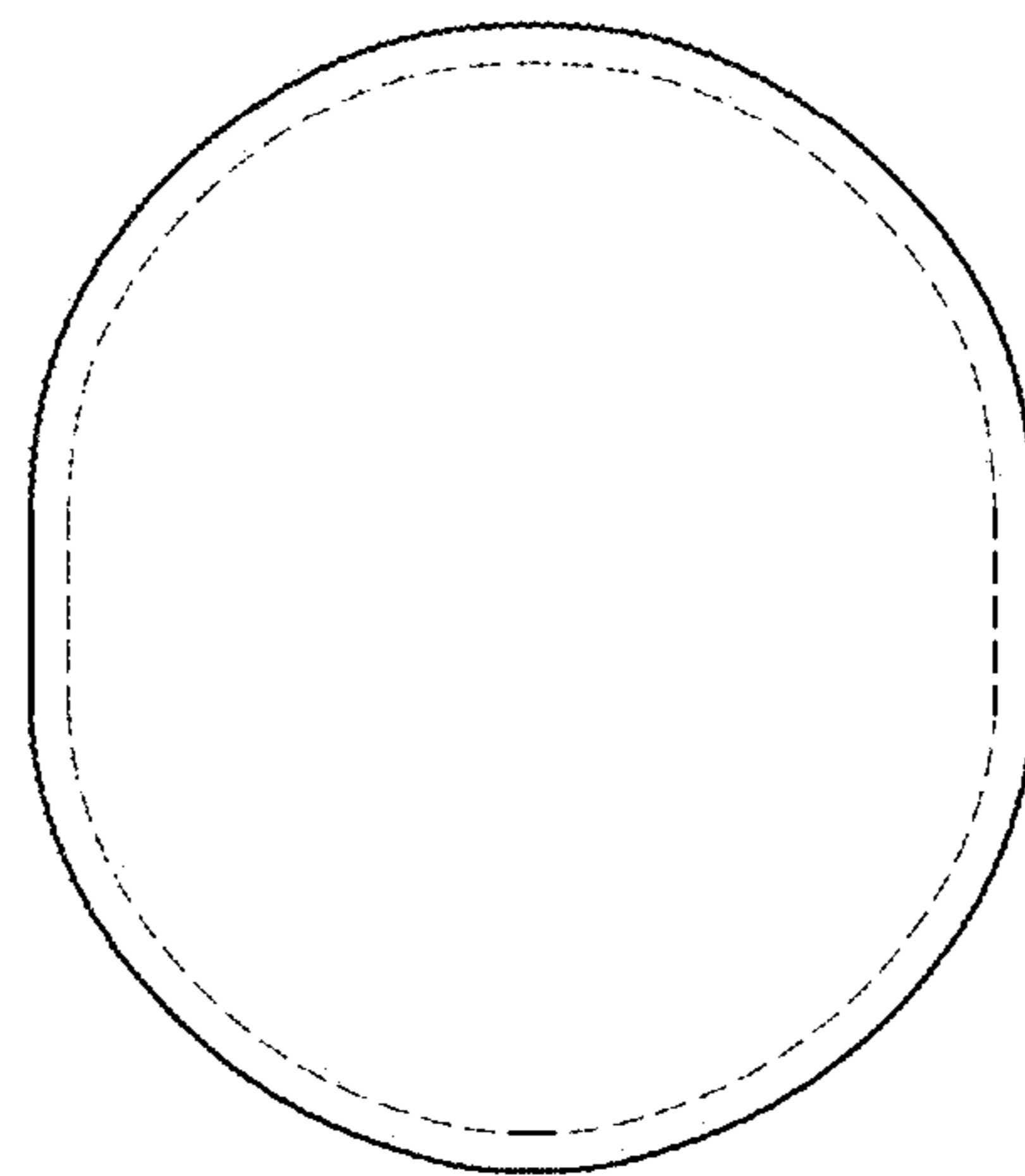


FIG. 4

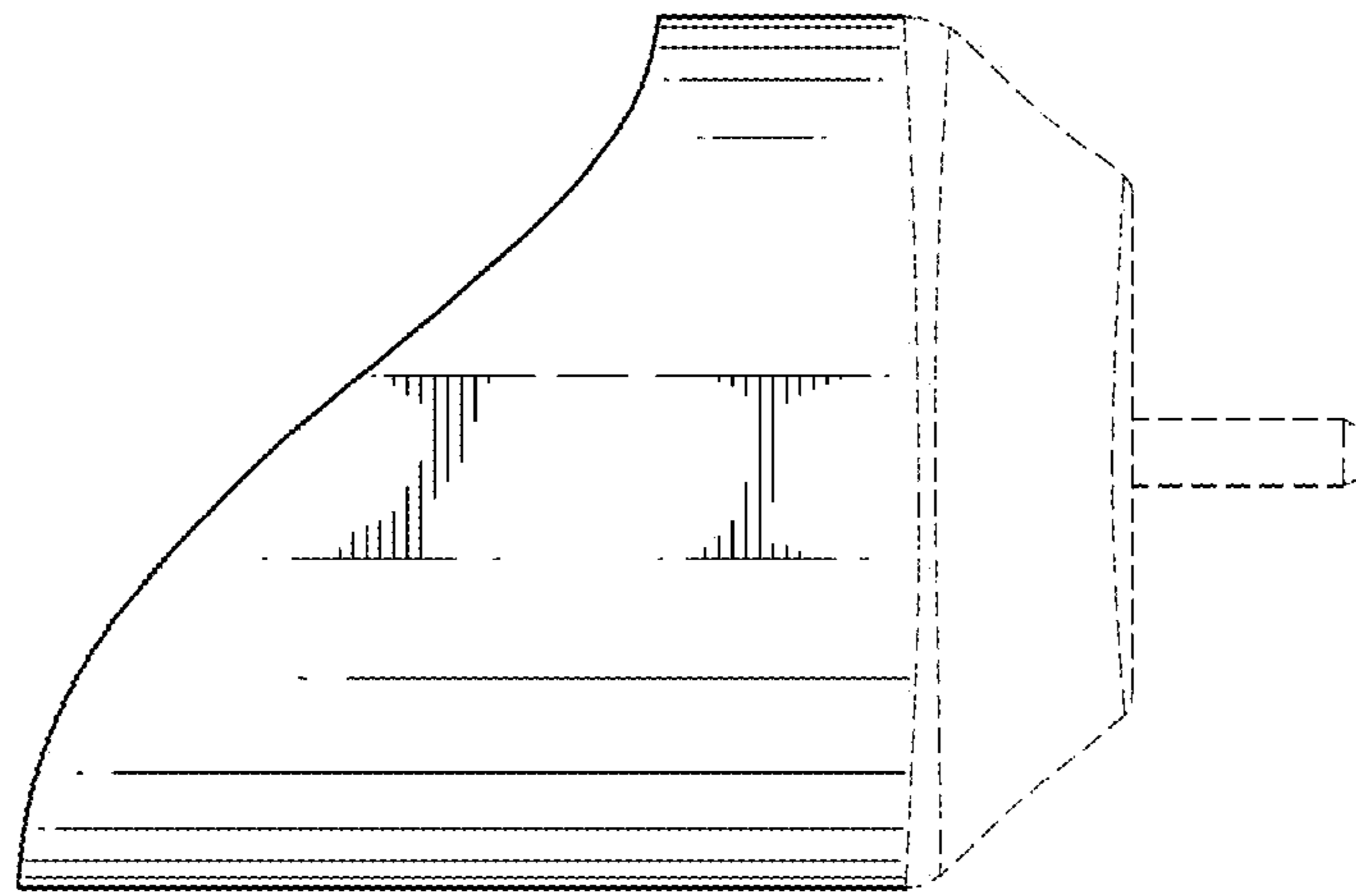


FIG. 5

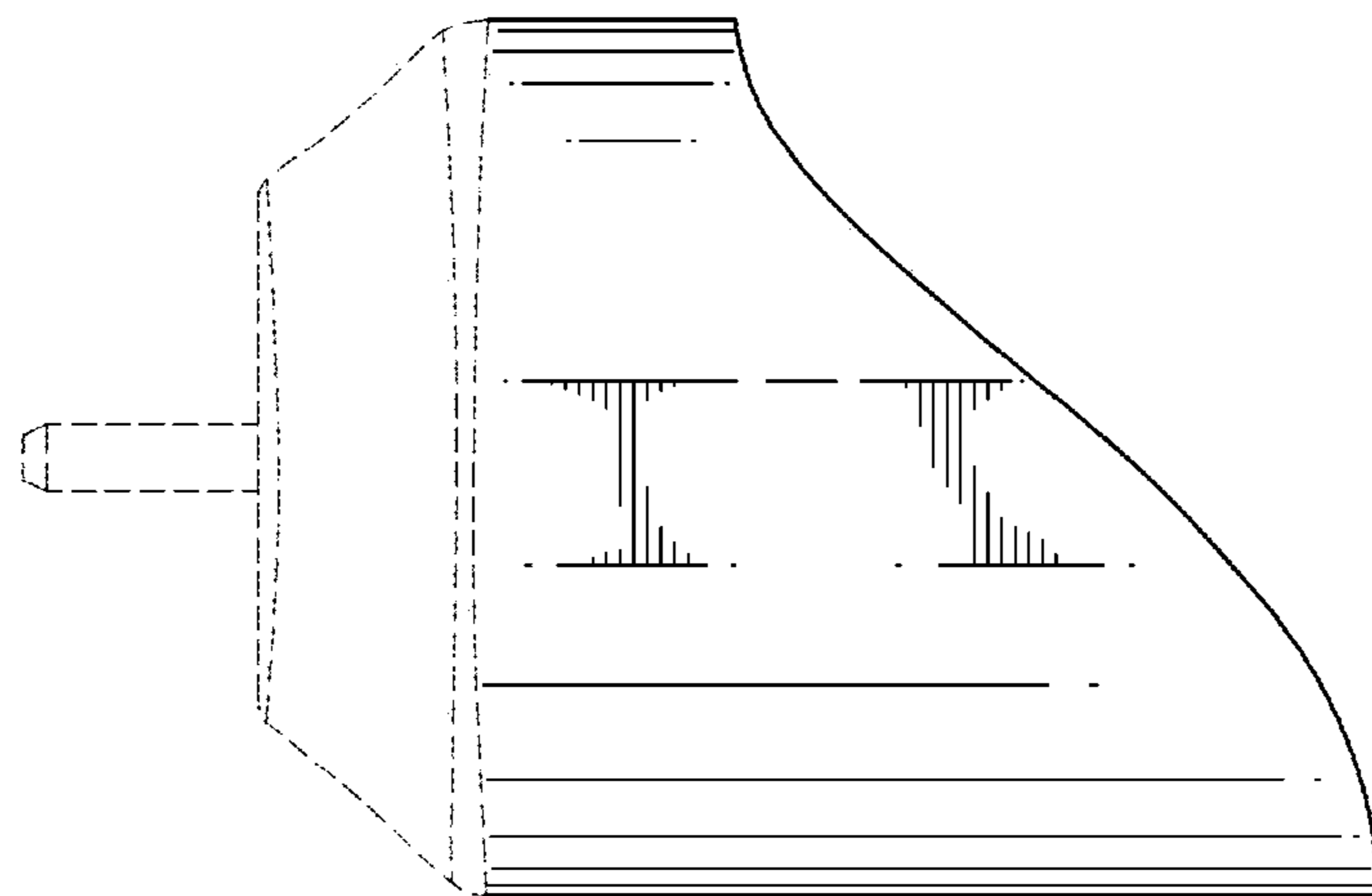


FIG. 6

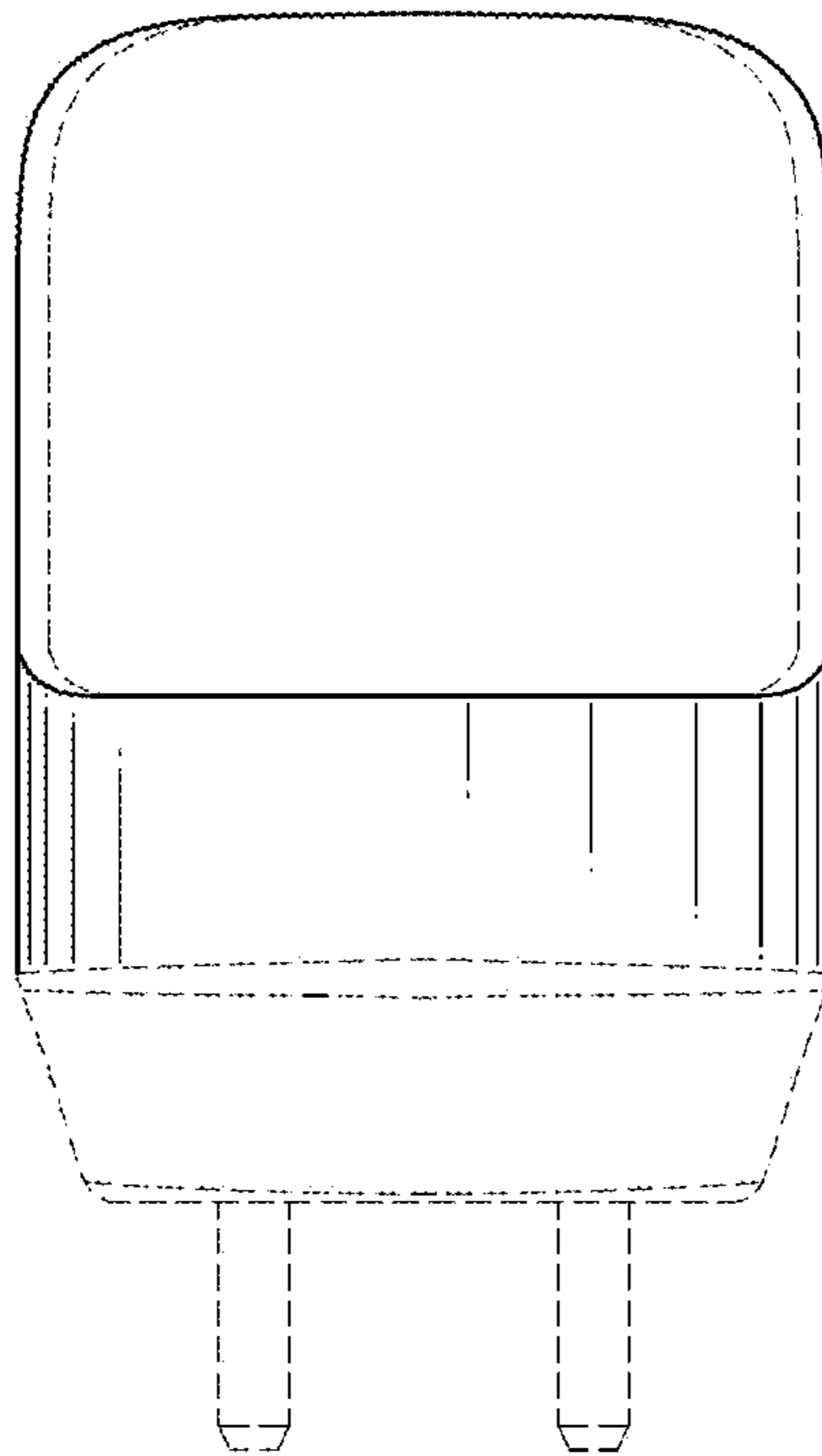


FIG. 7

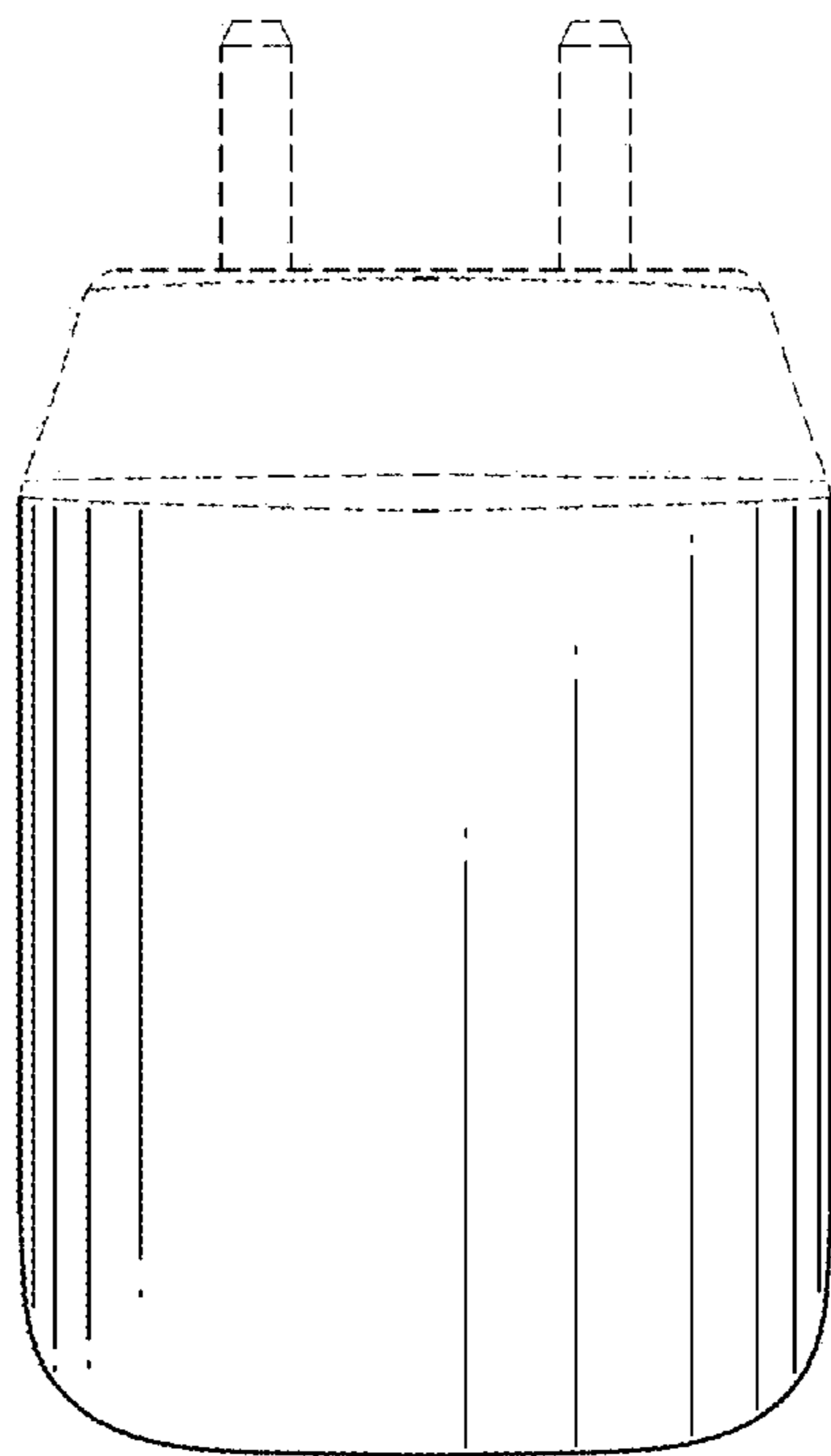


FIG.8

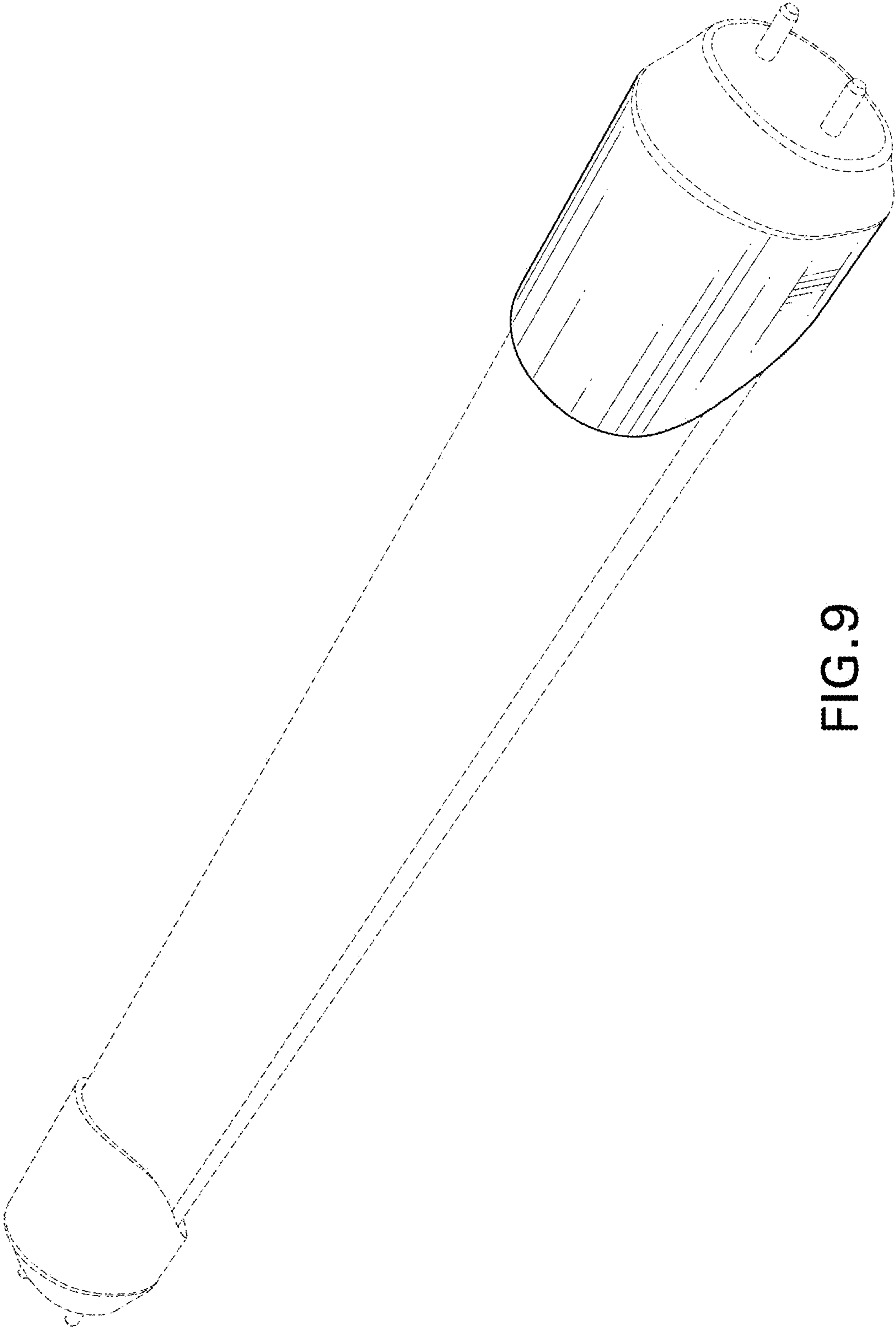


FIG. 9