



US00D822888S

(12) **United States Design Patent**  
**Arndt et al.**

(10) **Patent No.:** **US D822,888 S**  
(45) **Date of Patent:** **\*\* Jul. 10, 2018**

(54) **LUMINAIRE**

D701,638 S \* 3/2014 Inaba ..... D26/124  
D736,993 S \* 8/2015 Wang ..... D26/124  
D794,866 S \* 8/2017 Wu ..... D26/124

(71) Applicant: **Oldenburg Group Incorporated,**  
Milwaukee, WI (US)

(72) Inventors: **Michael Allan Arndt**, Franklin, WI  
(US); **Jay Michael Eissner**, Sheboygan,  
WI (US); **Colin M. Gravning**, Oak  
Creek, WI (US)

(73) Assignee: **Oldenburg Group Incorporated,**  
Milwaukee, WI (US)

(\*\*) Term: **15 Years**

(21) Appl. No.: **29/601,696**

(22) Filed: **Apr. 25, 2017**

(51) **LOC (11) Cl.** ..... **26-99**

(52) **U.S. Cl.**  
USPC ..... **D26/124**

(58) **Field of Classification Search**  
USPC ..... D26/1, 24, 118, 120, 122, 123, 124, 81,  
D26/85

CPC .... B60Q 1/04; B60Q 1/26; F21S 8/026; F21S  
8/04; F21V 29/004; F21V 21/02; F21V  
21/04; F21V 29/2212; F21Y 2101/02

See application file for complete search history.

(56) **References Cited**

**U.S. PATENT DOCUMENTS**

D215,481 S \* 10/1969 Dawson ..... D26/124  
D625,881 S \* 10/2010 Chen ..... D26/124  
D681,867 S \* 5/2013 Wegger ..... D26/124  
D691,321 S \* 10/2013 Chen ..... D26/124  
D699,387 S \* 2/2014 Snell ..... D26/124

**OTHER PUBLICATIONS**

Acuity Brands, "Mark Architectural Lighting, The Magellan Series"  
brochure, Sep. 1, 2016, 2 page.

Focal Point, "Skydome LED 2', 3', 4'—Recessed, Suspended &  
Surface Mount" brochure, 2015, 7 pages.

Kurtzon, "Round Dome" Kurtzon Lighting, retrieved online on May  
19, 2017 and drawing dated Apr. 19, 2017 (<https://www.kurtzon.com/rd-fg-led>), 2 pages.

Pinnacle Architectural Lighting, "FINA LED" brochure, 2014, 20  
pages.

\* cited by examiner

*Primary Examiner* — Brian N. Vinson

(74) *Attorney, Agent, or Firm* — Michael Best &  
Friedrich LLP

(57) **CLAIM**

We claim the ornamental design for a luminaire, as shown  
and described.

**DESCRIPTION**

FIG. 1 is a perspective view of a luminaire.

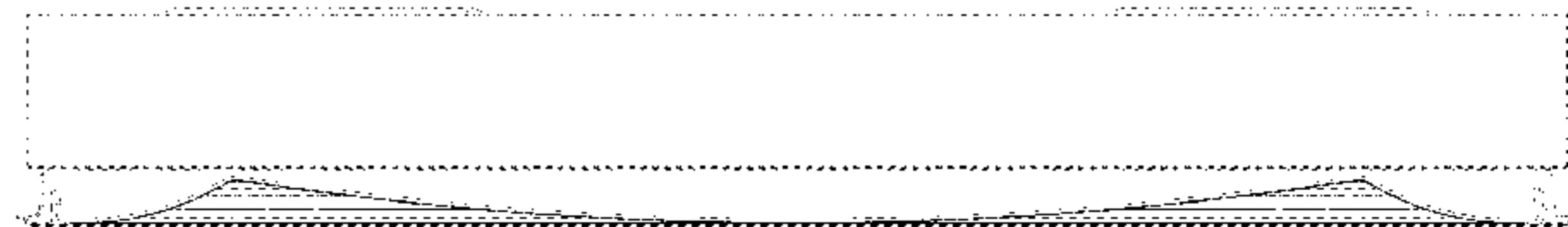
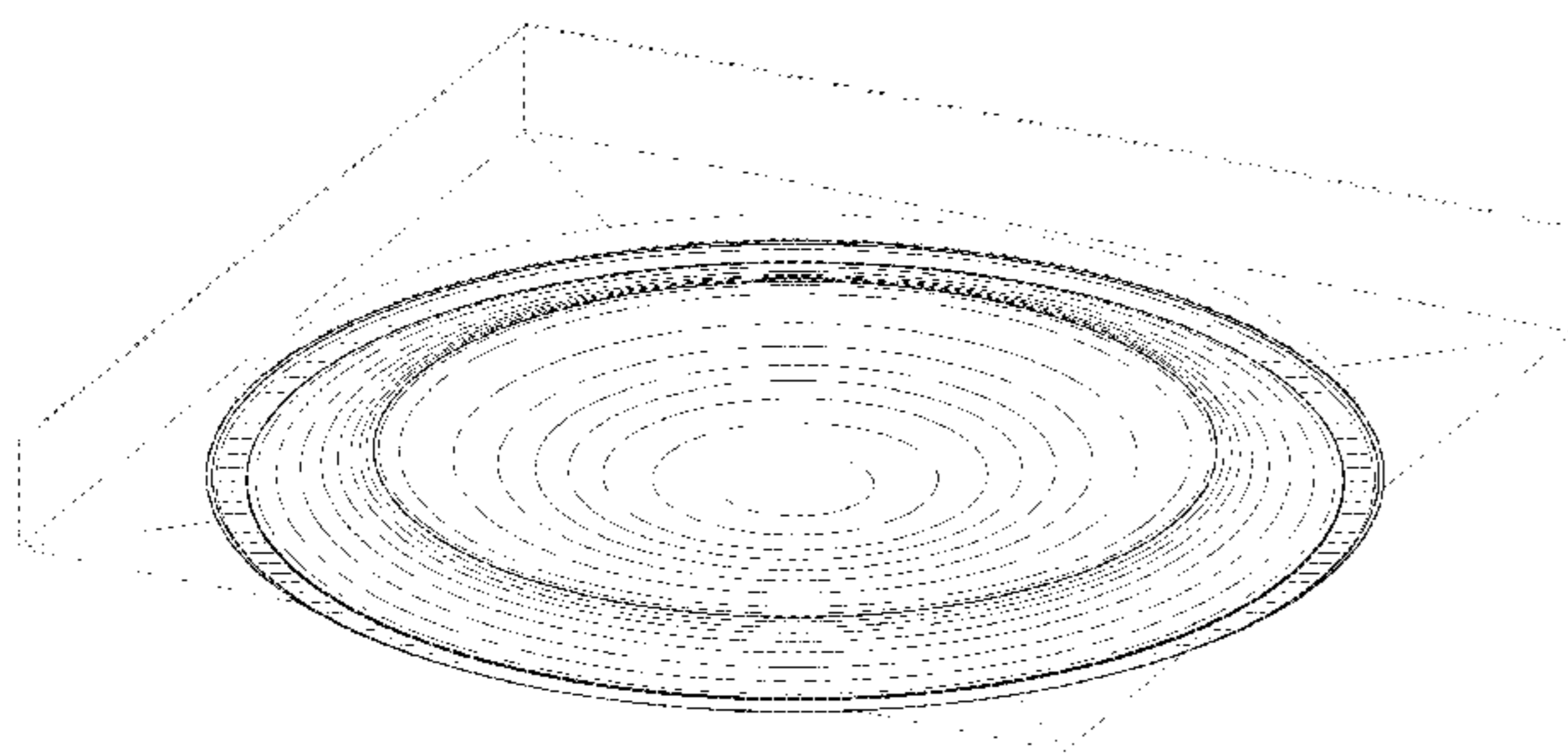
FIG. 2 is a bottom view of the luminaire shown in FIG. 1.

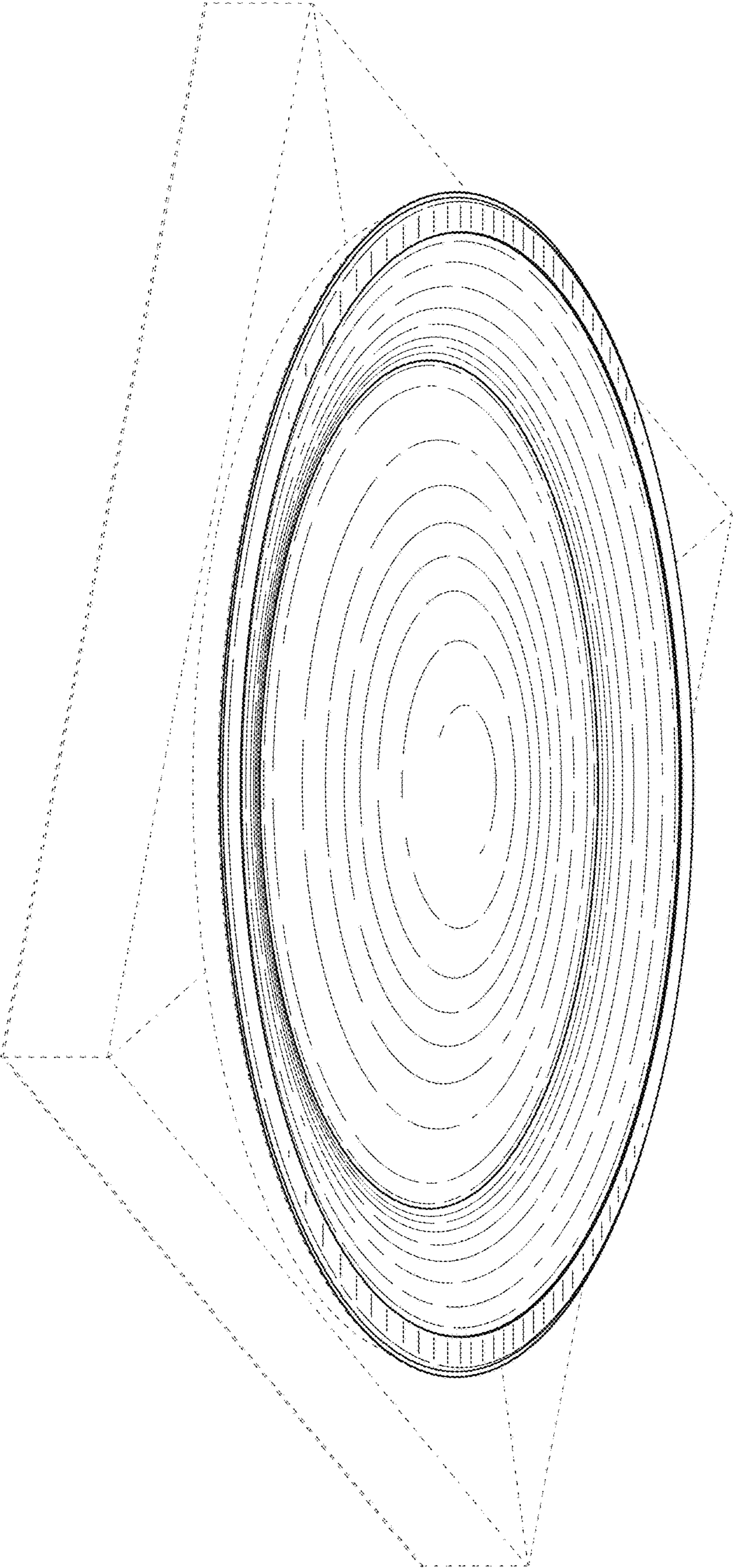
FIG. 3 is a front view of the luminaire shown in FIG. 1, the  
rear view, right side view, and left side view being identical;  
and,

FIG. 4 is a cross-sectional view of the luminaire shown in  
FIG. 1 taken along line 4-4 of FIG. 2.

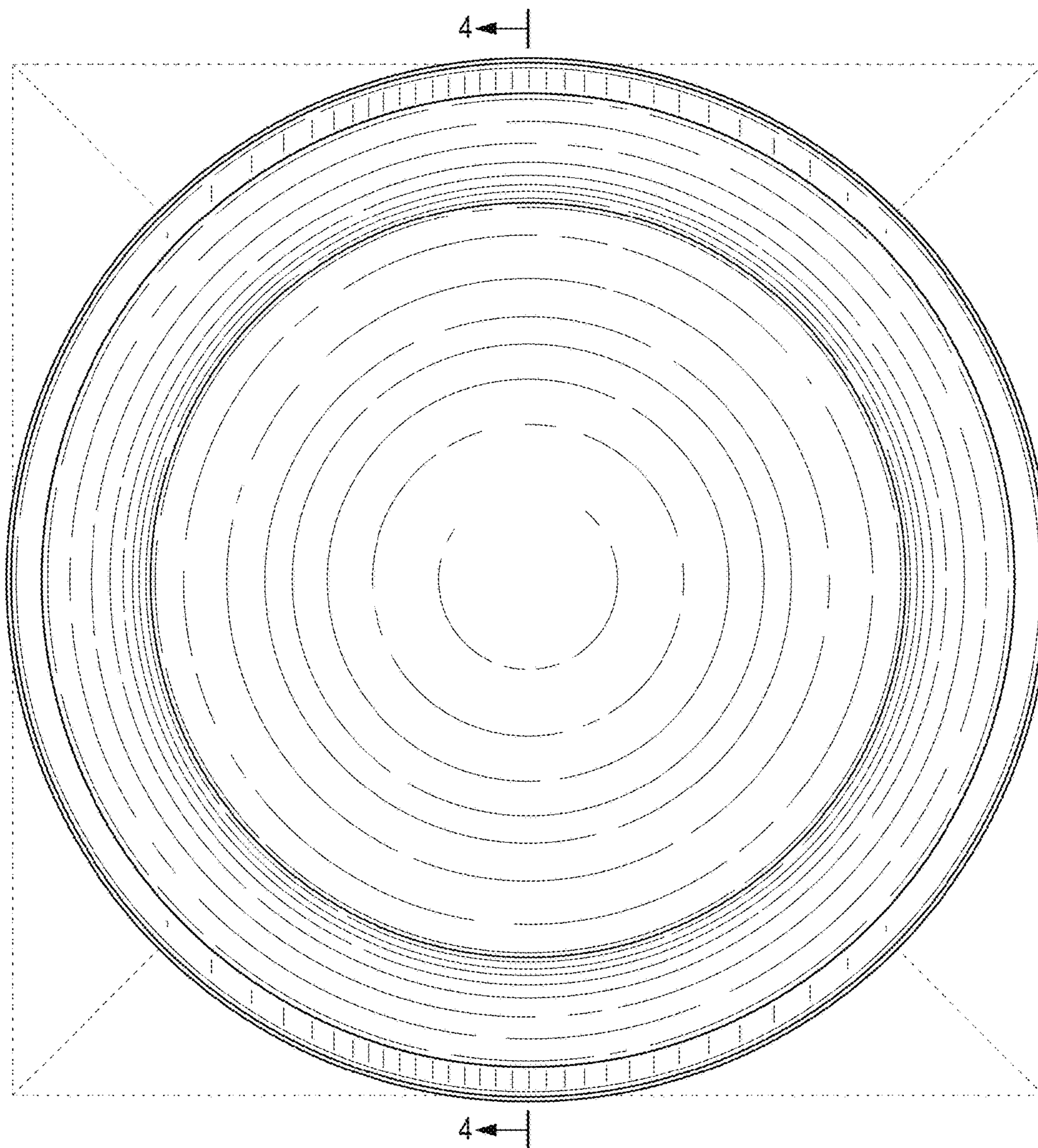
The broken lines shown represent unclaimed subject matter  
and form no part of the claimed design.

**1 Claim, 4 Drawing Sheets**

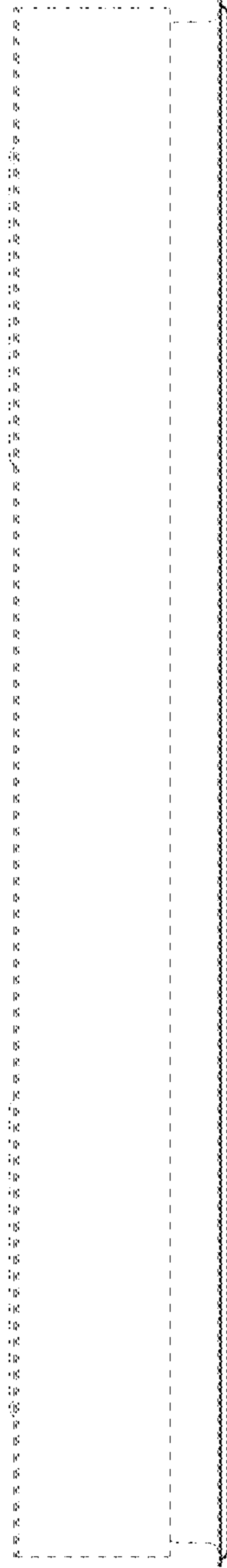




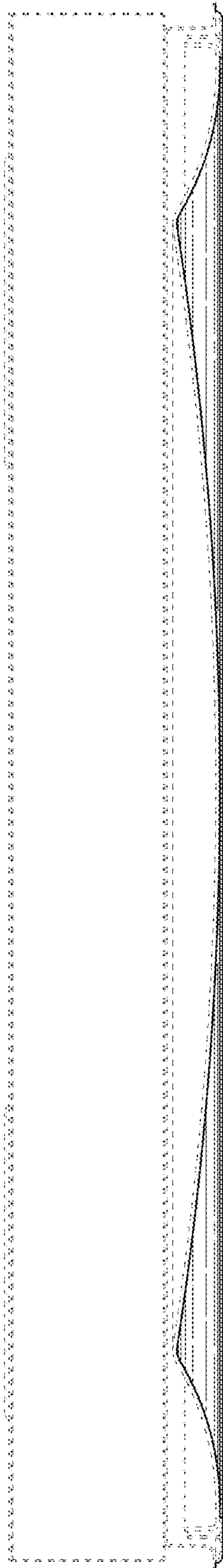
**FIG. 1**



**FIG. 2**



**FIG. 3**



**FIG. 4**