



US00D822883S

(12) **United States Design Patent** (10) **Patent No.:** **US D822,883 S**
Stanley (45) **Date of Patent:** **** Jul. 10, 2018**

(54) **INTERCHANGEABLE REFLECTOR LIGHT FIXTURE**

(71) Applicant: **IP Holdings, LLC**, Vancouver, WA (US)

(72) Inventor: **John Stanley**, Vancouver, WA (US)

(73) Assignee: **IP Holdings, LLC**, Vancouver, WA (US)

(**) Term: **15 Years**

(21) Appl. No.: **29/614,941**

(22) Filed: **Aug. 24, 2017**

Related U.S. Application Data

(63) Continuation of application No. 29/585,608, filed on Nov. 28, 2016, now Pat. No. Des. 797,351, which is a continuation of application No. 29/538,477, filed on Sep. 3, 2015, now Pat. No. Des. 775,405.

(51) **LOC (11) Cl.** **26-99**

(52) **U.S. Cl.**
USPC **D26/118**

(58) **Field of Classification Search**
USPC ... D26/9, 10, 12, 13, 15, 16, 24, 51, 61, 72, D26/76, 80, 81, 85, 86, 88, 90, 113, 118, D26/119, 120, 122, 128, 129, 138, 143, D26/144

CPC B60Q 1/04; B60Q 1/26; F21S 8/026; F21S 8/04; F21L 19/00; F23D 11/443; F21Y 2101/02; F21V 21/02; F21V 29/004; F21V 21/04; F21V 29/2212; F21V 7/22; F21V 29/83; F21V 37/002; F21V 7/00; A61L 9/037

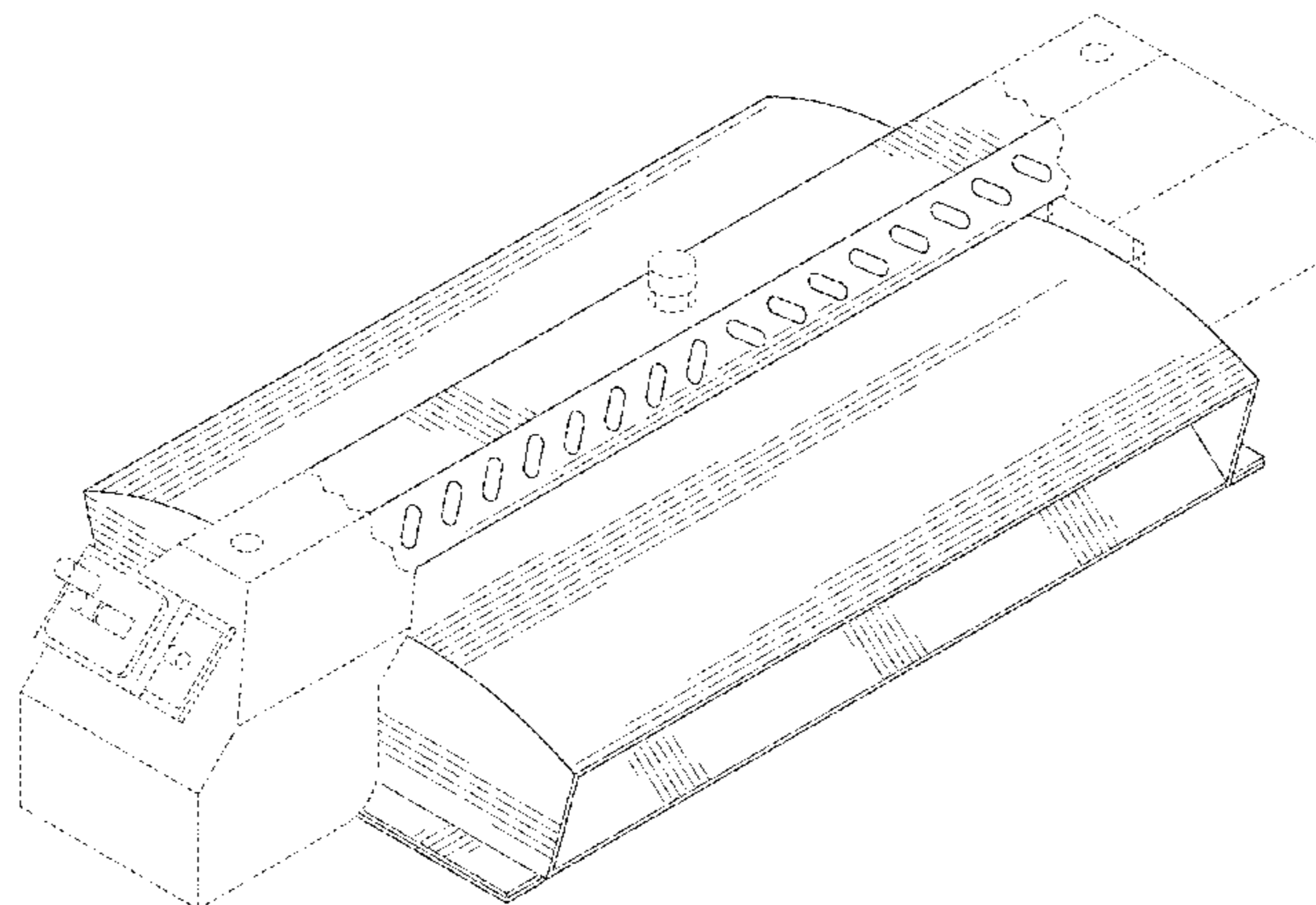
See application file for complete search history.

(56) **References Cited**

U.S. PATENT DOCUMENTS

D106,614 S 10/1937 Waterbury
D123,768 S 12/1940 Scribner
D132,786 S 6/1942 Netting

D133,216 S	7/1942	Parlato	
D135,375 S	3/1943	Biller	
2,339,100 A	1/1944	Netting	
D143,061 S	12/1945	Creed	
D156,014 S	11/1949	Lazerson	
2,740,883 A	4/1956	Kruger	
2,740,885 A	4/1956	Kruger	
3,272,978 A	9/1966	Jackson	
4,363,371 A	12/1982	Hutchinson	
D268,287 S	3/1983	Boschetti	
4,531,180 A	7/1985	Hernandez	
4,779,178 A	10/1988	Spitz	
4,814,954 A	3/1989	Spitz	
4,933,821 A	6/1990	Anderson	
D311,597 S	10/1990	Poot	
D323,897 S	2/1992	Compton	
5,253,152 A	10/1993	Yang	
D352,126 S	11/1994	Ruud	
D377,234 S	1/1997	Roberts	
D413,176 S	8/1999	Mier-Langer	
6,053,624 A	4/2000	Cronk	
D428,516 S *	7/2000	Reo	D26/118
D447,272 S *	8/2001	Smith	D26/118
D456,938 S *	5/2002	Wardenburg	D26/118
D459,825 S	7/2002	Field	
D465,049 S	10/2002	Ludwig	
D469,564 S	1/2003	Brok	
6,527,422 B1	3/2003	Hutchinson	
6,595,662 B2	7/2003	Wardenburg	
6,988,816 B2	1/2006	Witkowski	
D542,460 S	5/2007	Hargreaves	
D543,652 S *	5/2007	Hargreaves	D26/118
D543,654 S	5/2007	Hargreaves	
D544,131 S	6/2007	Blackman	
D544,139 S	6/2007	Hargreaves	
D544,626 S	6/2007	Hargreaves	
D544,983 S	6/2007	Hargreaves	
D544,984 S	6/2007	Hargreaves	
D544,985 S	6/2007	Hargreaves	
D544,987 S	6/2007	Hargreaves	
D544,995 S *	6/2007	Hargreaves	D26/118
D545,484 S *	6/2007	Hargreaves	D26/118
D545,485 S *	6/2007	Hargreaves	D26/118
D586,030 S	2/2009	Genova	
7,524,090 B2	4/2009	Hargreaves	
7,534,011 B2	5/2009	Townsley	
D613,900 S	4/2010	Hargreaves	
D614,801 S *	4/2010	Collins	D26/118
7,722,208 B1	5/2010	Dupre	
7,722,228 B2	5/2010	Broer	
D633,640 S	3/2011	Wauters	
D634,060 S *	3/2011	Wardenburg	D26/118
D634,468 S	3/2011	Hargreaves	



D634,469	S	*	3/2011	Hargreaves	D26/118
D637,162	S		5/2011	Bridgman		
D637,752	S		5/2011	Mehktarian		
7,959,331	B2		6/2011	Ho		
7,972,044	B2		7/2011	Burkhauser		
D661,833	S		6/2012	Imajo		
8,209,912	B2		7/2012	Hargreaves		
D669,204	S		10/2012	Snell		
D670,850	S		11/2012	Helenowski		
D672,911	S		12/2012	Mayfield		
D675,369	S	*	1/2013	Michaud	D26/118
8,348,481	B2		1/2013	Chang		
D676,185	S		2/2013	Piepgas		
D678,599	S		3/2013	Boyer		
D683,064	S		5/2013	Tuck		
D693,959	S	*	11/2013	Boyer	D26/118
D698,986	S	*	2/2014	Reynolds	D26/118
D698,987	S		2/2014	Stanley		
8,905,575	B2	*	12/2014	Durkee	F21V 7/0008 362/218
D725,819	S		3/2015	Reynolds		
8,998,473	B1		4/2015	Anderson		
9,010,970	B2		4/2015	Guercio		
9,016,907	B2		4/2015	Stanley		
D731,701	S	*	6/2015	Hargreaves	D26/118
D732,233	S		6/2015	Reynolds		
D732,235	S	*	6/2015	Reynolds	D26/118
D732,236	S	*	6/2015	Reynolds	D26/118
D736,450	S	*	8/2015	Reynolds	D26/118
D737,134	S		8/2015	Thompson		
D737,498	S		8/2015	Stanley		
9,100,209	B2		8/2015	Steindl		
D739,595	S		9/2015	Reynolds		
D740,486	S	*	10/2015	Stanley	D26/118
D747,029	S	*	1/2016	Reynolds	D26/118
D748,849	S	*	2/2016	Stanley	D26/118
D750,312	S		2/2016	Reynolds		
D750,316	S	*	2/2016	Reynolds	D26/118
D751,244	S	*	3/2016	Reynolds	D26/118
D751,247	S	*	3/2016	Reynolds	D26/118
9,279,550	B2		3/2016	Torabifard		
D757,323	S		5/2016	Reynolds		
D762,320	S		7/2016	Reynolds		
D765,306	S		8/2016	Wardenburg		
D767,193	S		9/2016	Jung		
9,453,639	B2		9/2016	Mandy		
D769,514	S		10/2016	Reynolds		
D770,670	S		11/2016	Reynolds		
D770,671	S		11/2016	Reynolds		
D775,405	S		12/2016	Stanley		
D779,703	S		2/2017	Stanley		
D783,888	S		4/2017	Reynolds		
D797,351	S		9/2017	Stanley		
D797,352	S		9/2017	Stanley		
2001/0023173	A1		9/2001	Schiedegger		
2002/0141195	A1		10/2002	Peter		
2008/0205030	A1		8/2008	Hargreaves		
2008/0205071	A1		8/2008	Townsley		
2008/0219008	A1		9/2008	Schaefer		
2008/0278950	A1		11/2008	Pickard		
2009/0262540	A1		10/2009	Hargreaves		
2009/0262543	A1		10/2009	Ho		
2009/0310373	A1		12/2009	Burkhauser		
2009/0323335	A1		12/2009	Yang		
2012/0051041	A1		3/2012	Edmond		
2013/0083539	A1		4/2013	Dimitriadis		
2015/0082692	A1		3/2015	Wardenburg		
2015/0252993	A1		9/2015	Stanley		

FOREIGN PATENT DOCUMENTS

CN	ZL 201430166983.7	4/2015
CN	ZL 201530131007.2	7/2015

OTHER PUBLICATIONS

Horticultural Lights, image post date Jul. 7, 2014, site visited Sep. 30, 2015 (online), <<http://web.archive.org/web/20140707223459/>>

<http://www.kindgreenbuds.com/cannabis-grow-bible/best-lighting-systems/>.

Horticultural Lighting, image post date Sep. 2008, site visted Sep. 30, 2015, (online), <<http://www.dendroboard.com/forum/sponsor-classifieds/104681-grow-your-own-plants-horticulture-neherp.html>>.

Steel S Section, image post date Aug. 30, 2000, site visted Sep. 30, 2015 (online), <<http://web.archive.org/web/20000830093120/http://www.efunda.com/math/areas/RolledSteelBeamsS.cfm>>.

* cited by examiner

Primary Examiner — Brian N. Vinson

(74) Attorney, Agent, or Firm — Robert J. Ireland; J. Douglas Wells

(57) CLAIM

The ornamental design for an interchangeable reflector light fixture, as shown and described.

DESCRIPTION

FIG. 1 is a perspective view of an interchangeable reflector light fixture, as viewed from above, showing my new design;

FIG. 2 is a reflector component of the interchangeable reflector light fixture shown in FIG. 1, as viewed from above;

FIG. 3 is a reflector component of the interchangeable reflector light fixture shown in FIG. 1, as viewed from below;

FIG. 4 is a left side view of the light fixture shown in FIG. 1;

FIG. 5 is a right side view of the light fixture shown in FIG. 1;

FIG. 6 is a front elevation view of the light fixture shown in FIG. 1;

FIG. 7 is a rear elevation view of the light fixture shown in FIG. 1;

FIG. 8 is a bottom plan view of the light fixture shown in FIG. 1;

FIG. 9 is a top plan view of the light fixture shown in FIG. 1;

FIG. 10 is a perspective view of a reflector engaging component of an interchangeable reflector light fixture, as viewed from above, showing my new design;

FIG. 11 is a perspective view of the reflector engaging component of an interchangeable reflector light fixture, as viewed from below, shown in FIG. 10;

FIG. 12 is a left side view of the reflector engaging component of an interchangeable reflector light fixture, shown in FIG. 10;

FIG. 13 is a right side view of the reflector engaging component of an interchangeable reflector light fixture, shown in FIG. 10;

FIG. 14 is a front elevation view of the reflector engaging component of an interchangeable reflector light fixture, shown in FIG. 10;

FIG. 15 is a rear elevation view of the reflector engaging component of an interchangeable reflector light fixture, shown in FIG. 10;

FIG. 16 is a top plan view of the reflector engaging component of an interchangeable reflector light fixture, shown in FIG. 10; and,

FIG. 17 is a bottom plan view of the reflector engaging component of an interchangeable reflector light fixture, shown in FIG. 10.

The broken-line disclosure shown in the views is understood to represent portions of the article in which the claimed design is embodied, but which form no part of the claimed design.

1 Claim, 10 Drawing Sheets

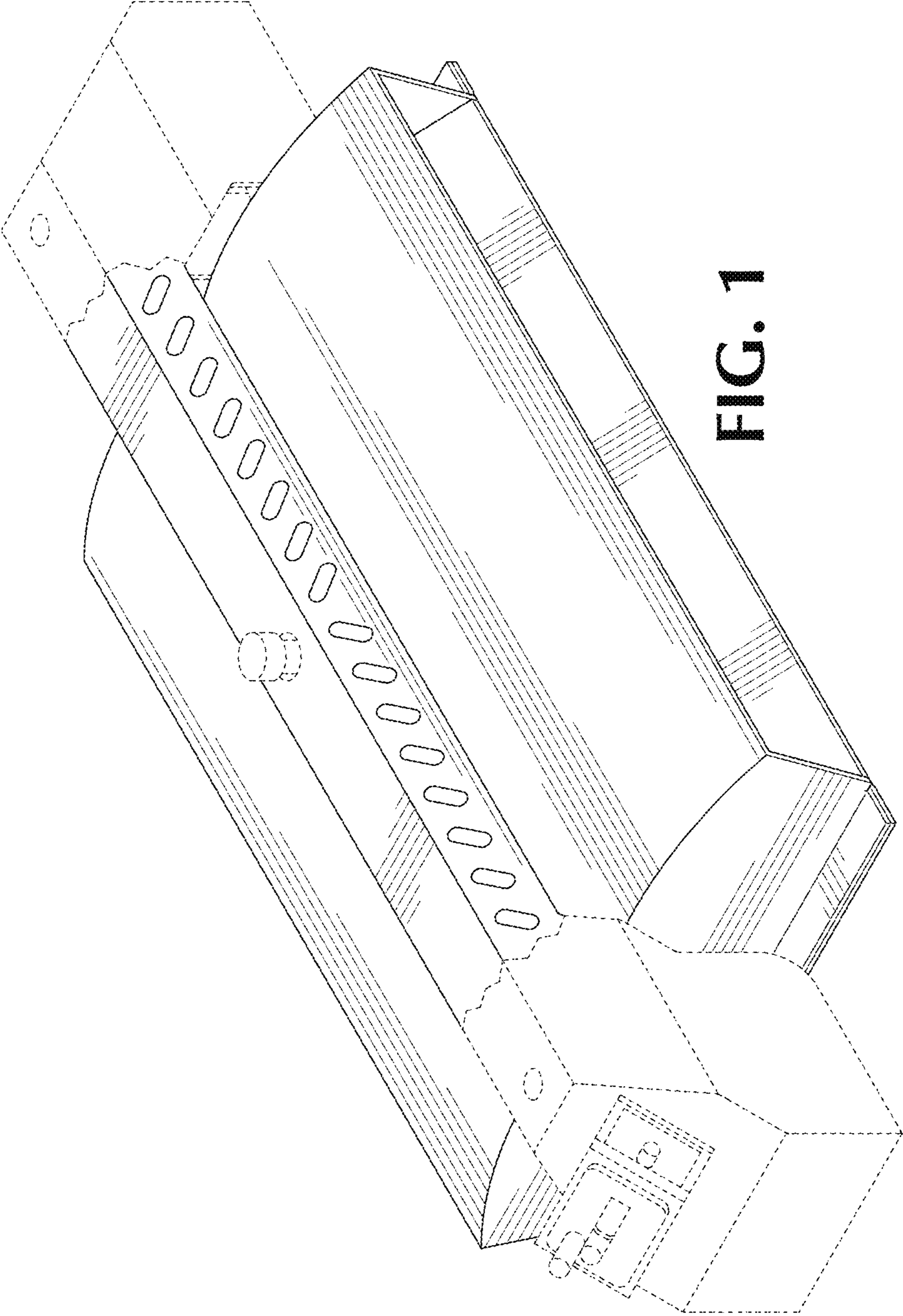


FIG. 1

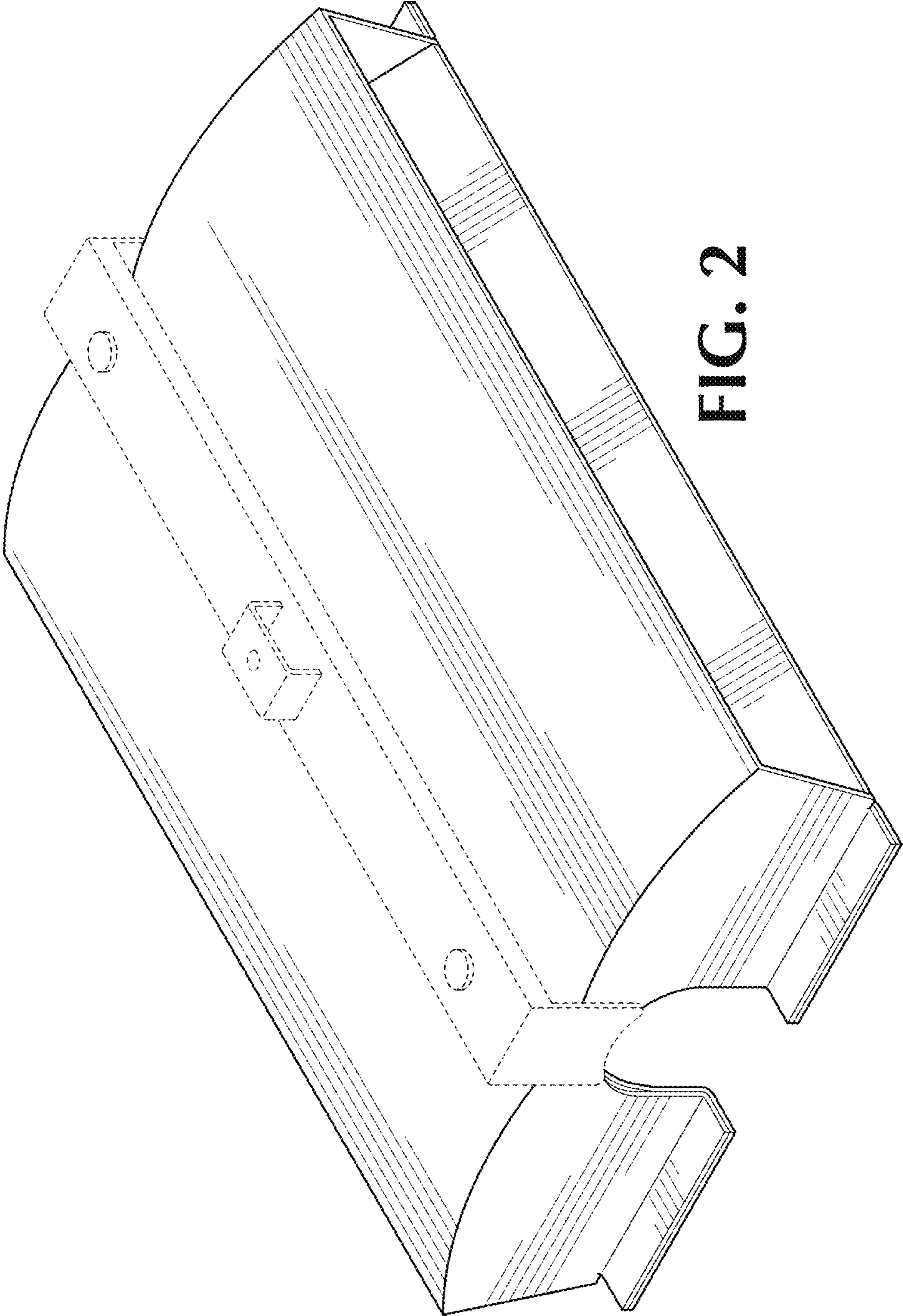


FIG. 2

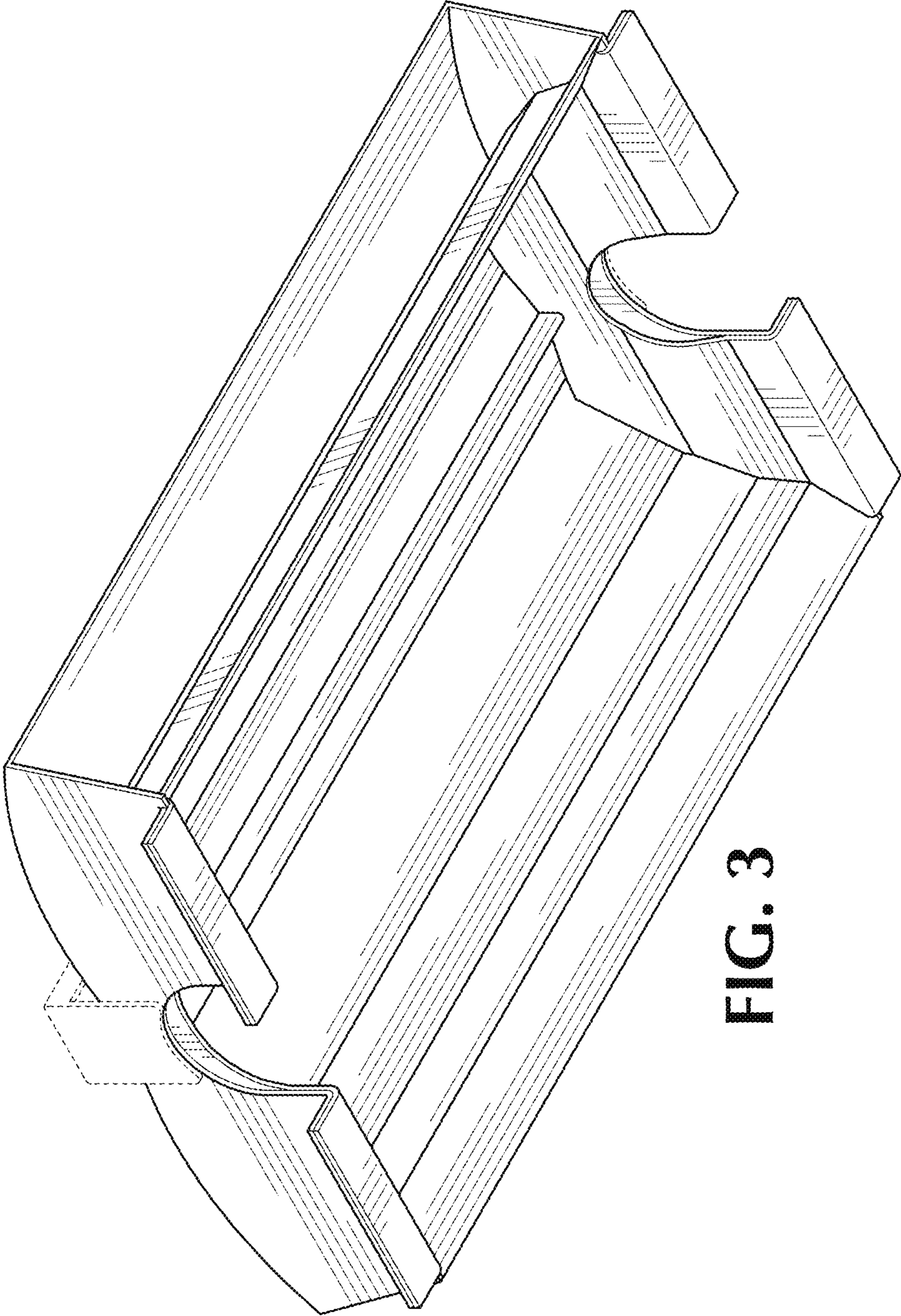


FIG. 3

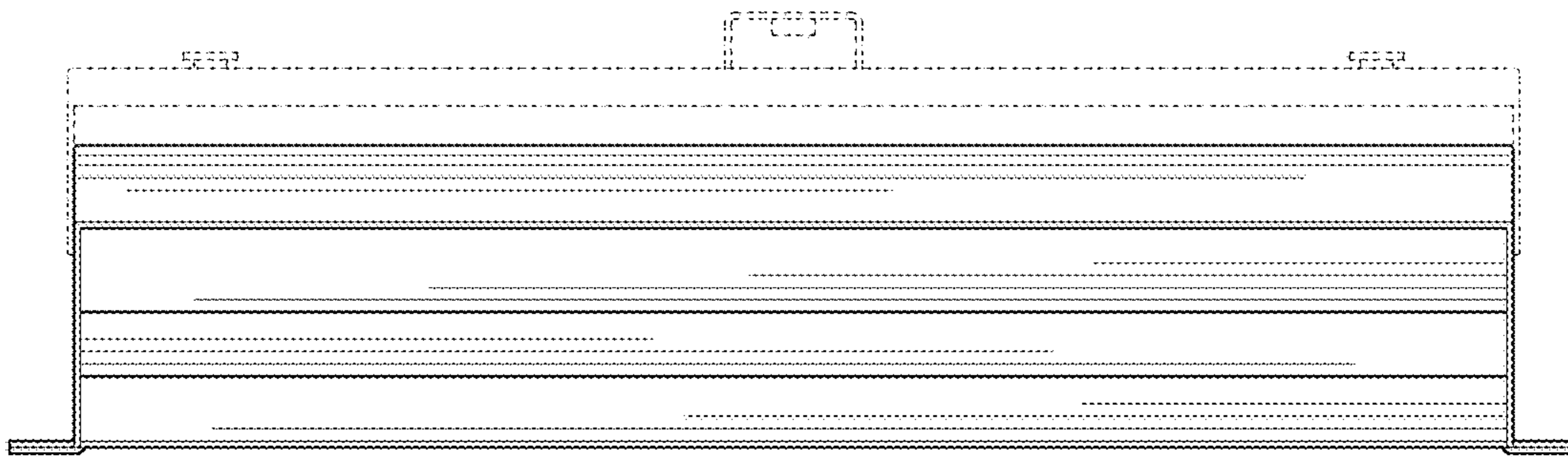


FIG. 4

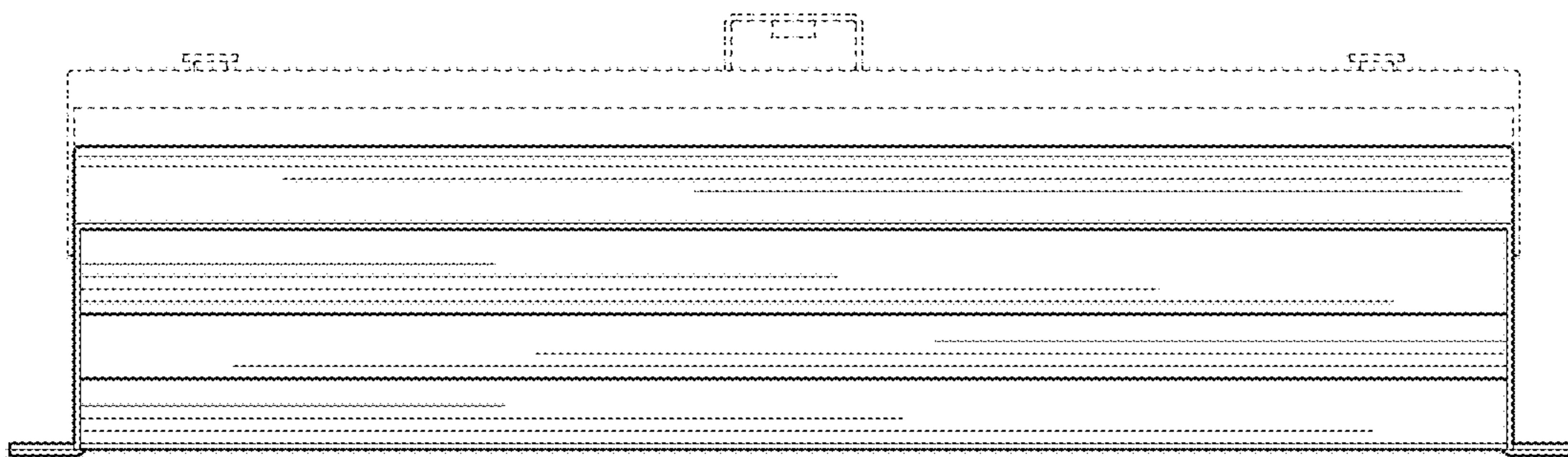


FIG. 5

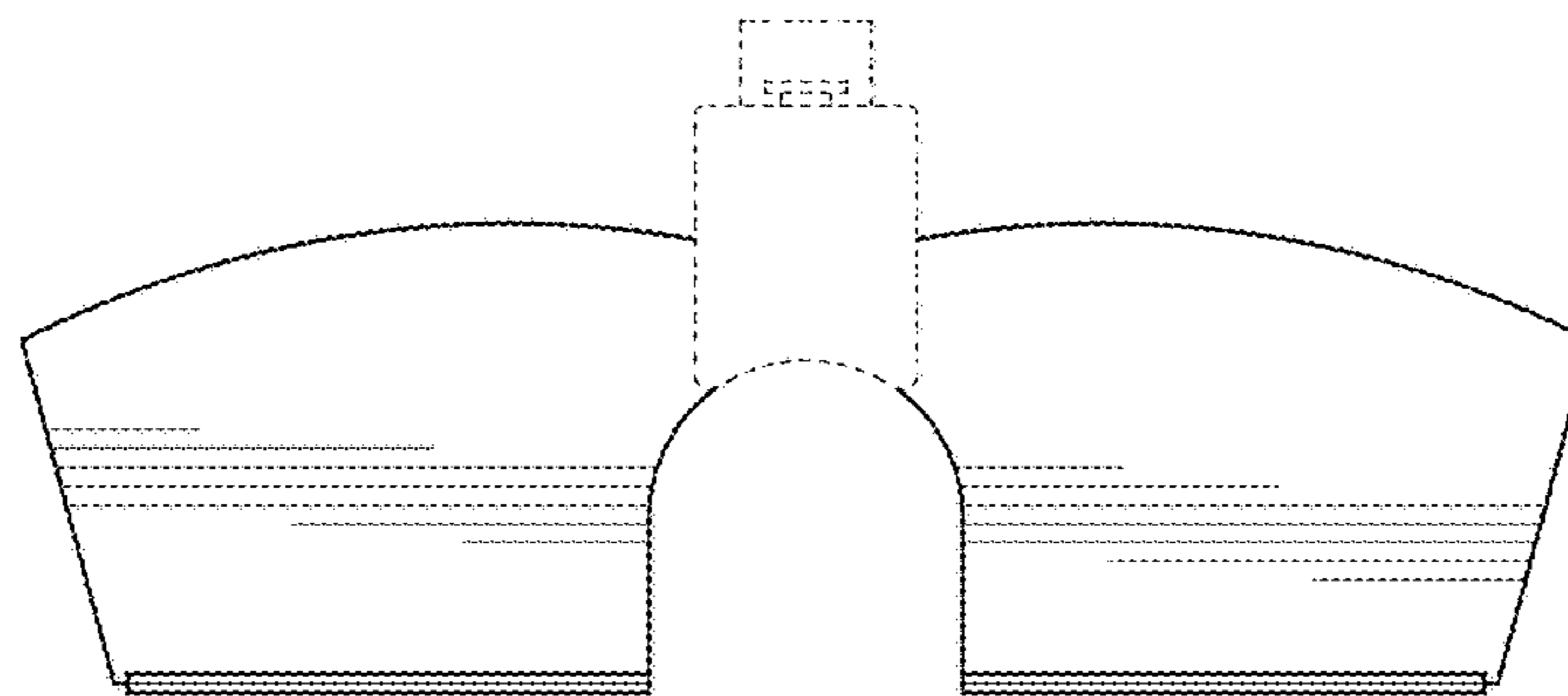


FIG. 6

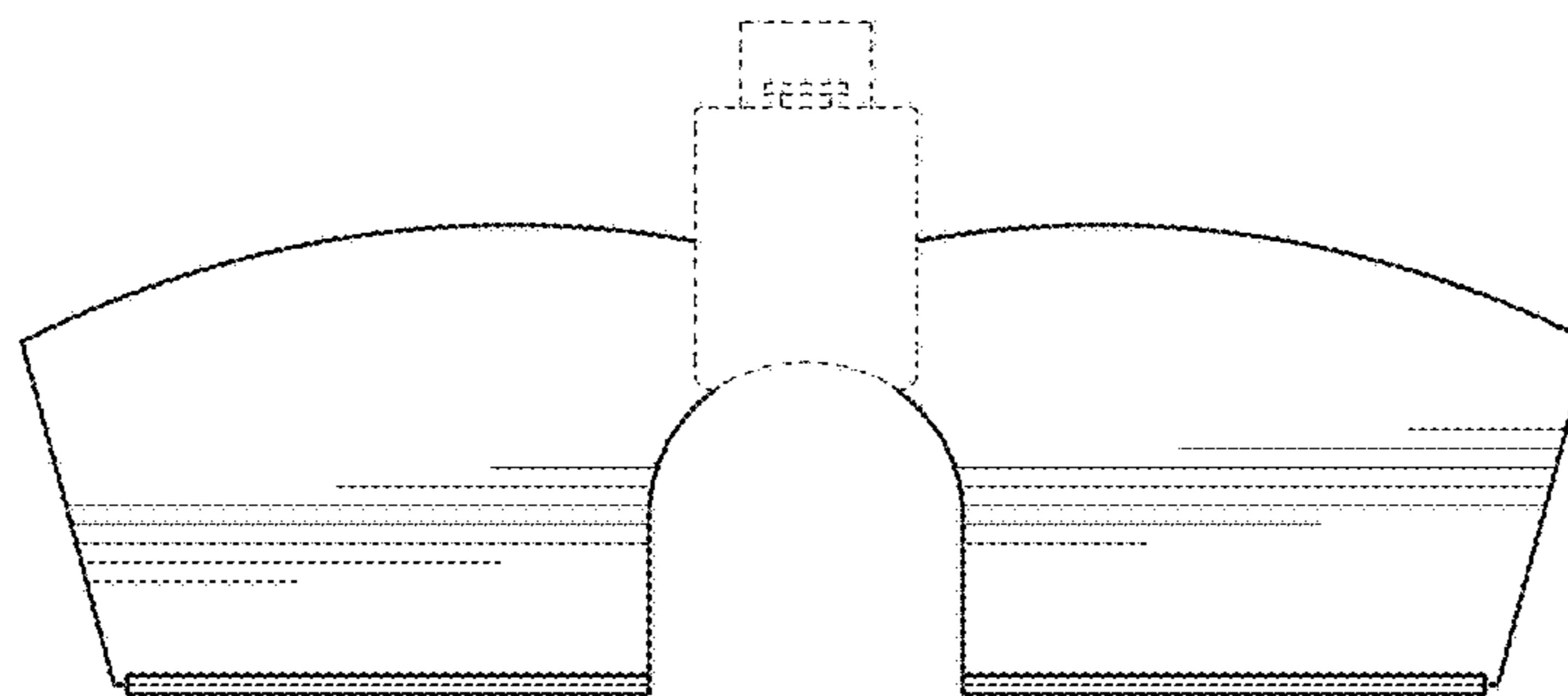


FIG. 7

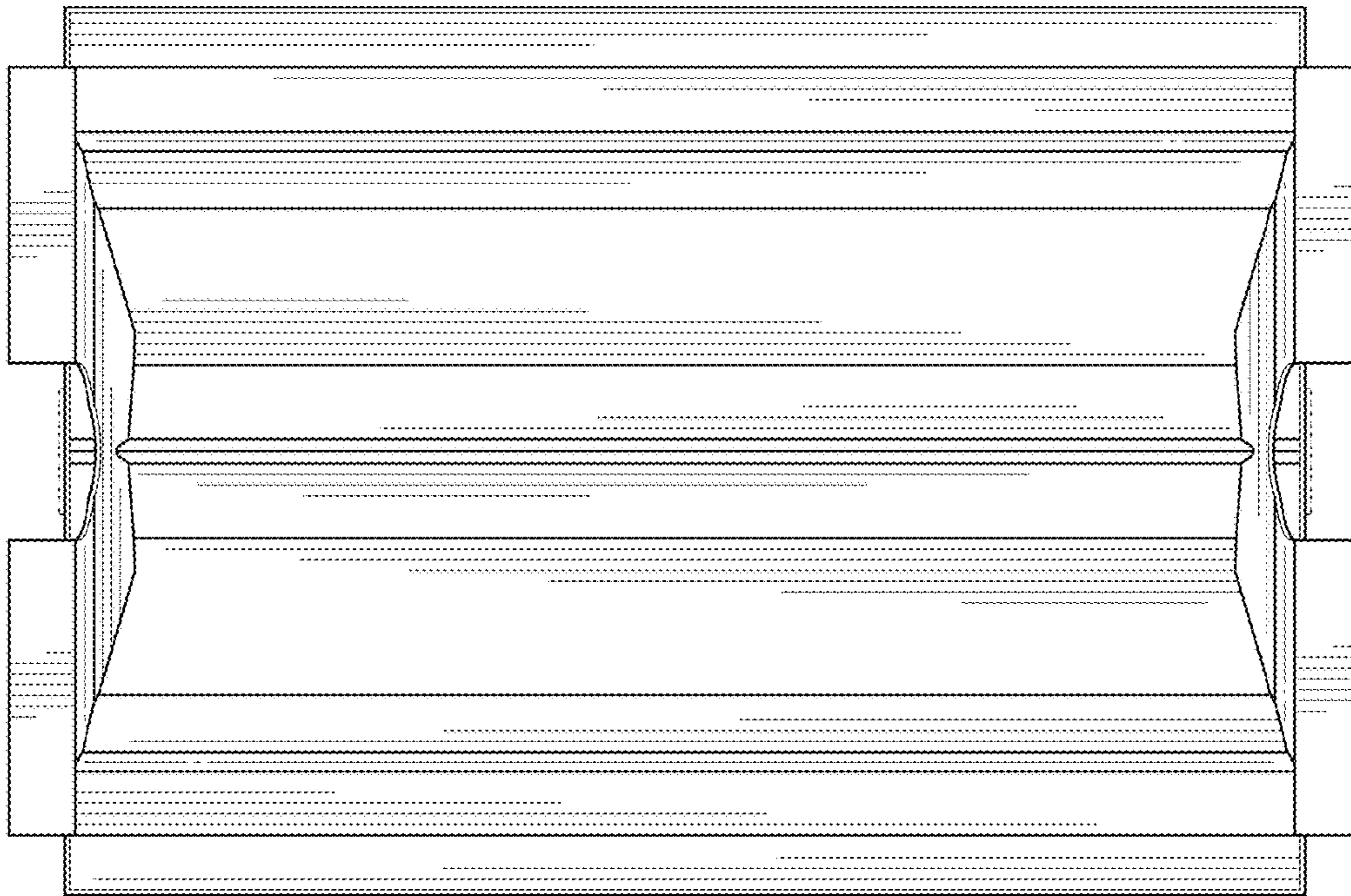


FIG. 8

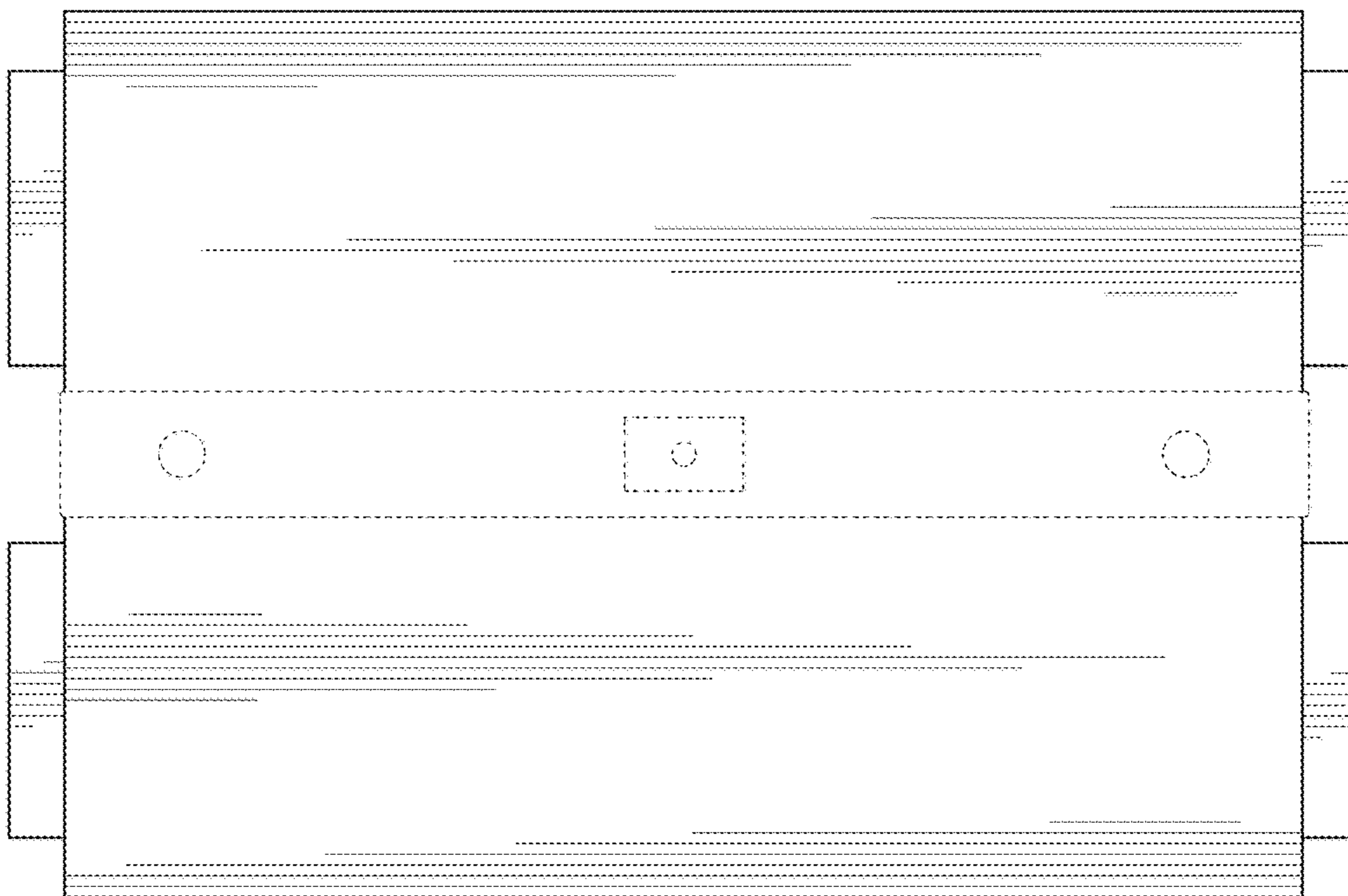


FIG. 9

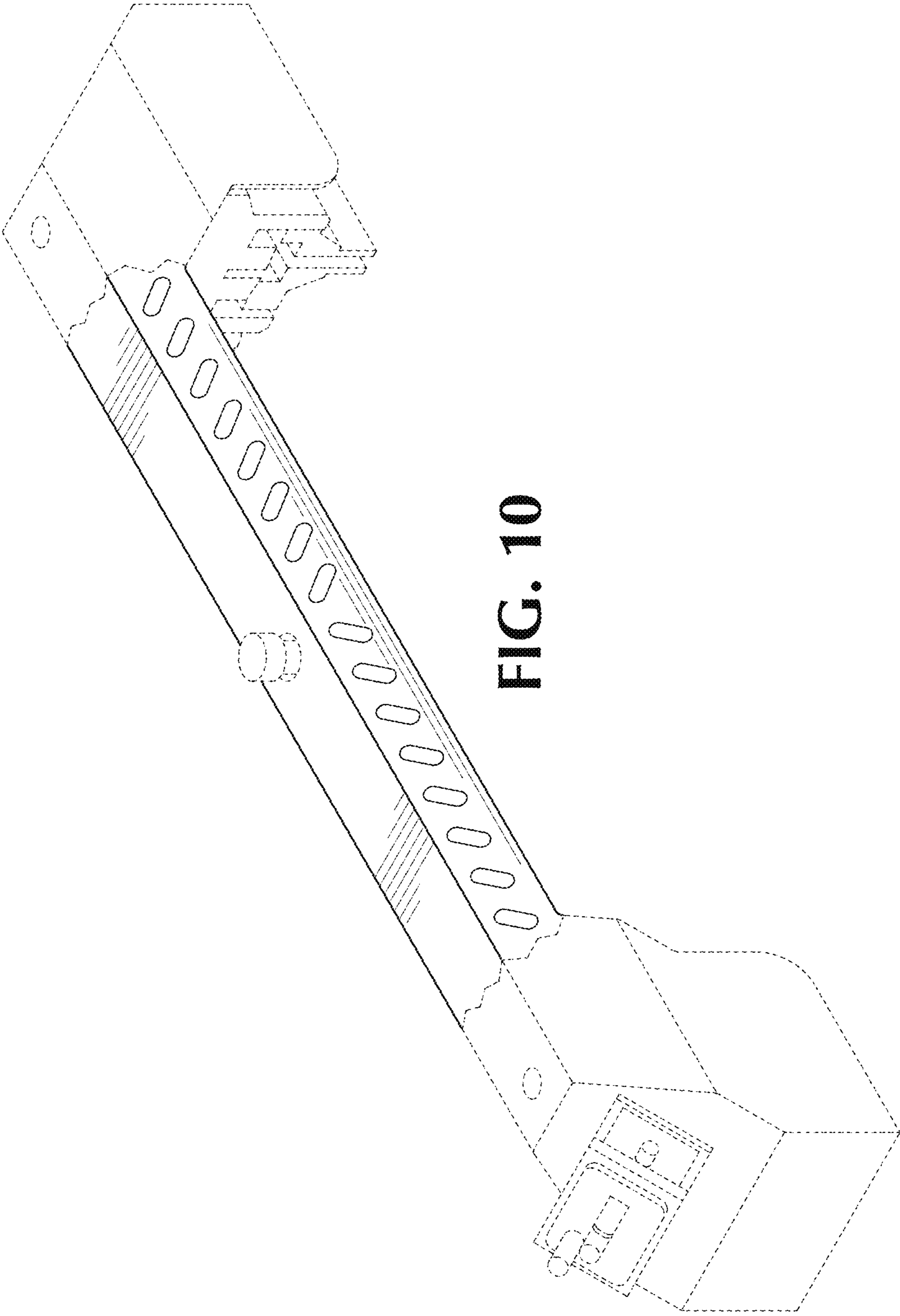


FIG. 10

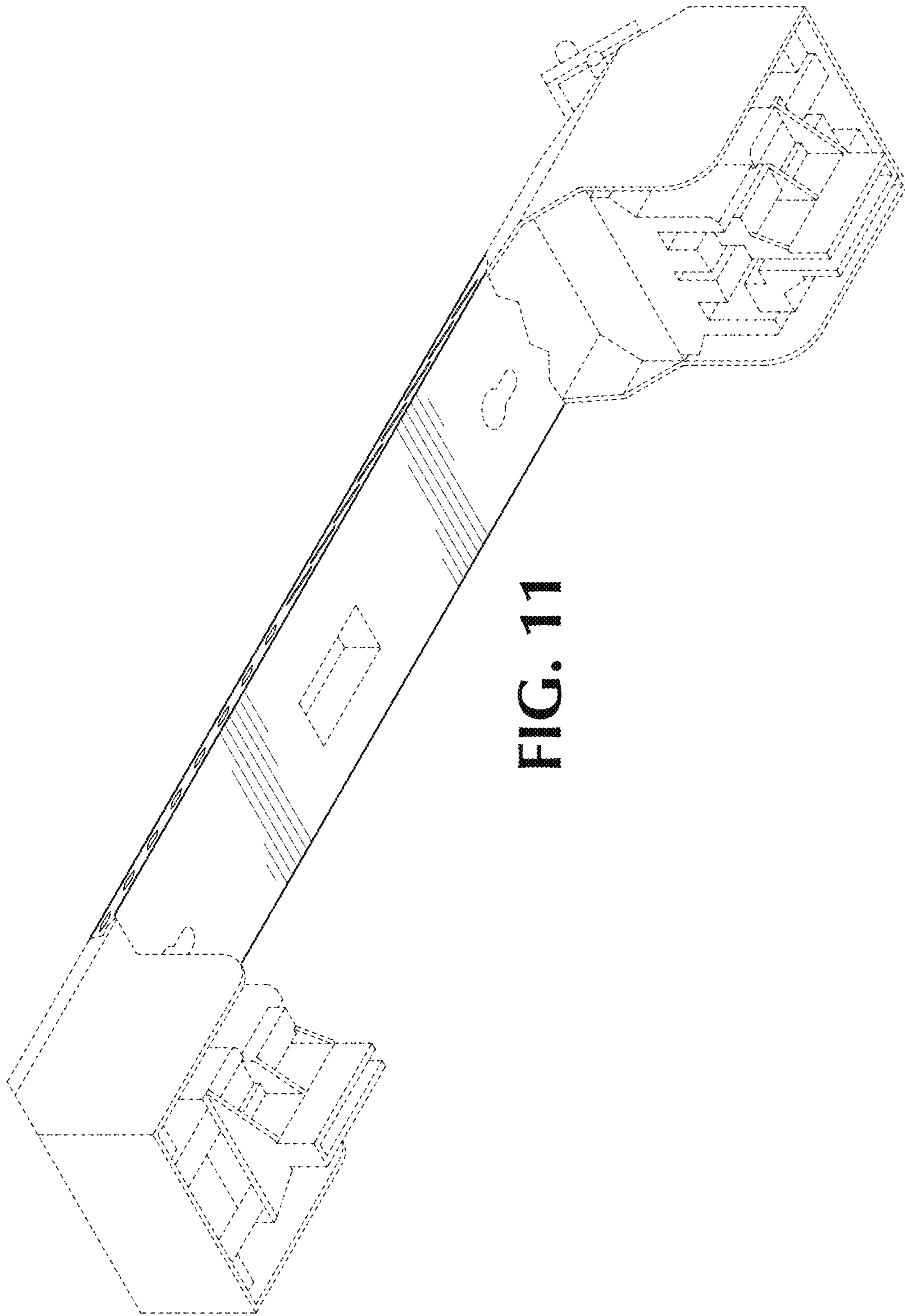
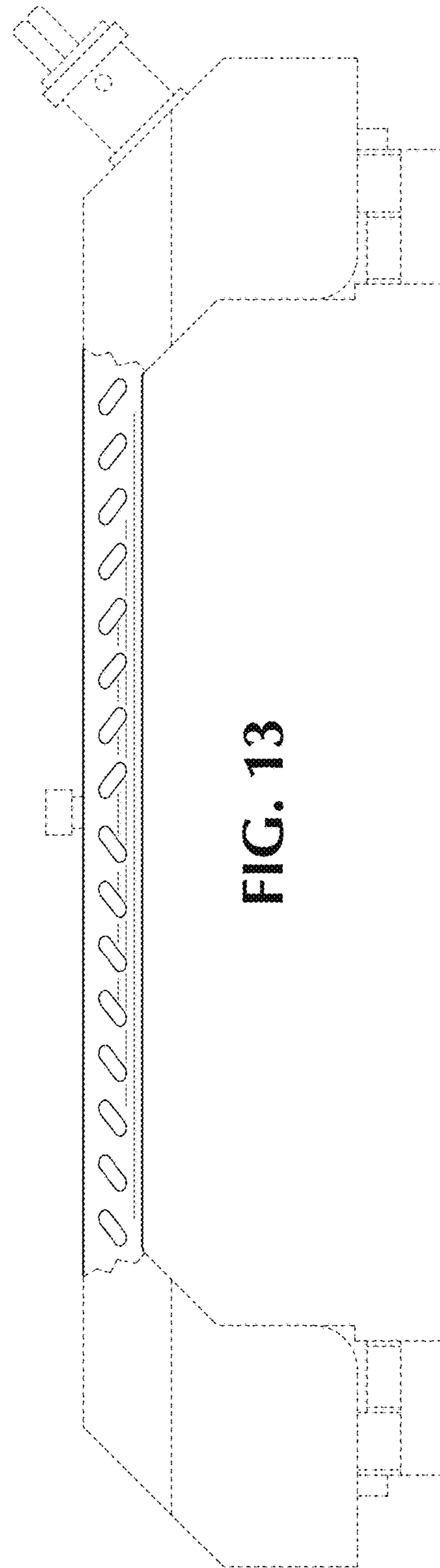
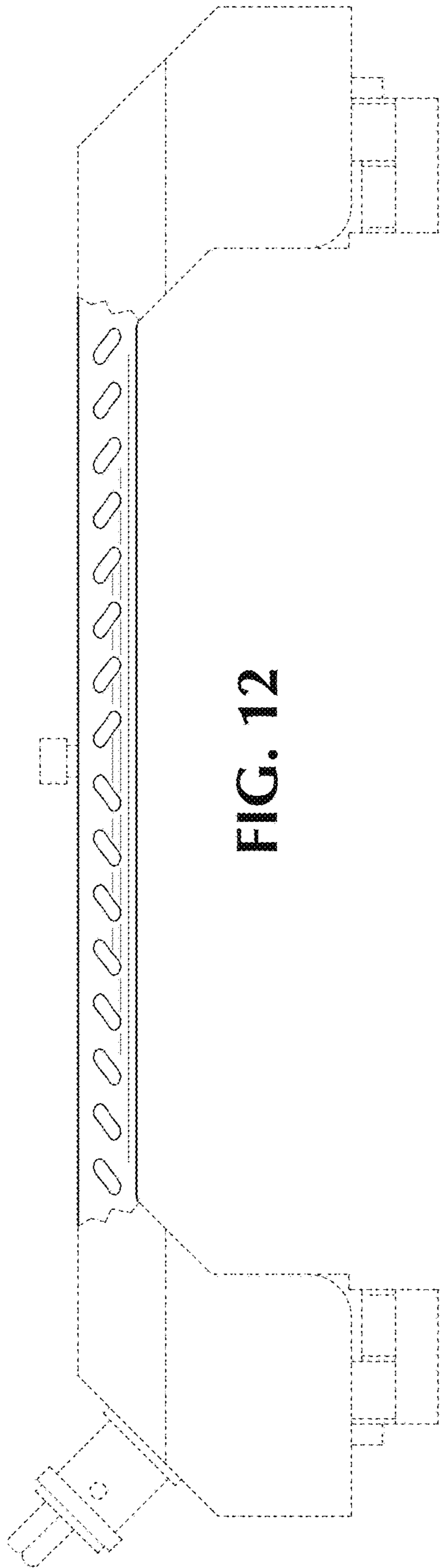


FIG. 11



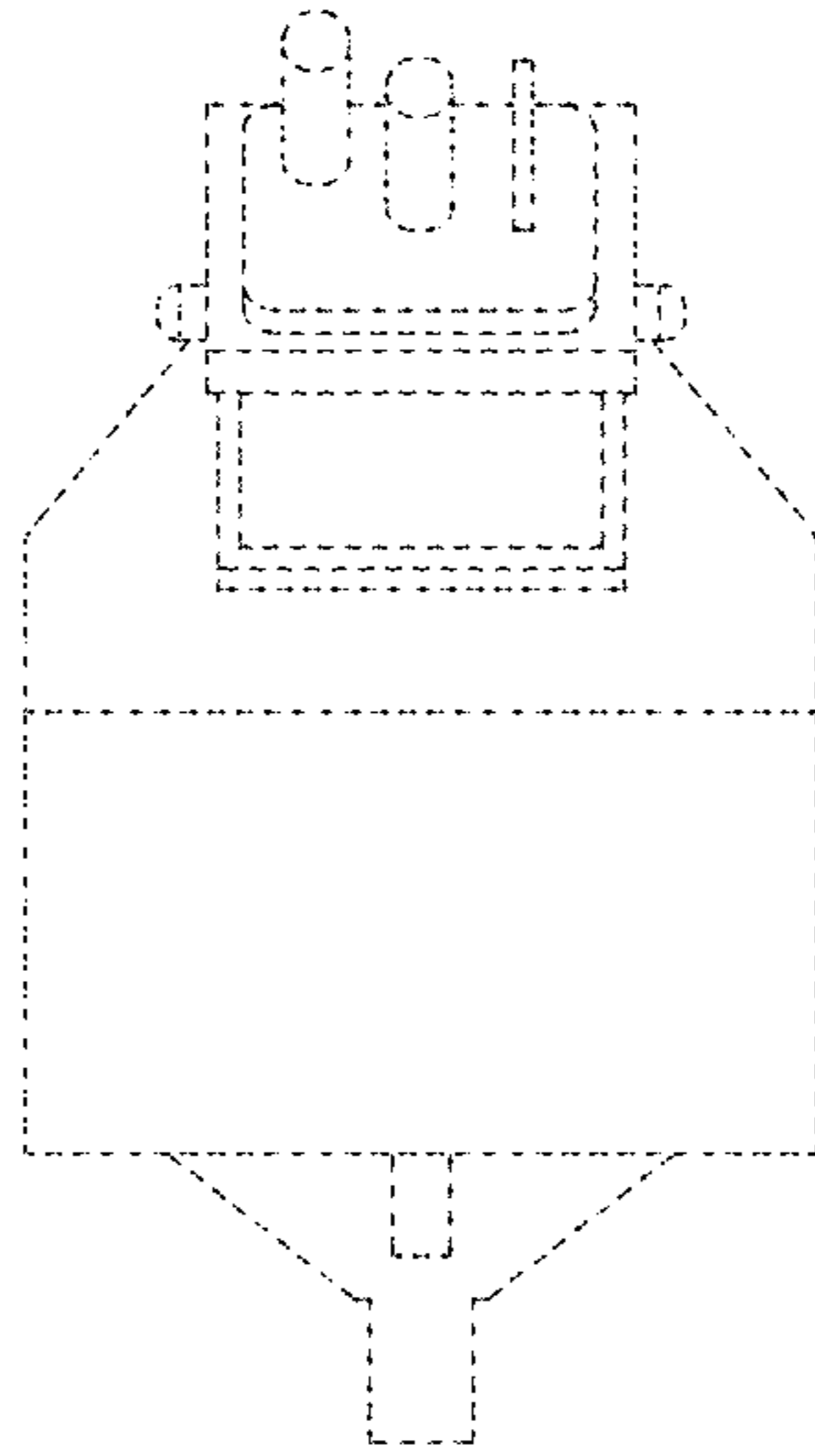


FIG. 14

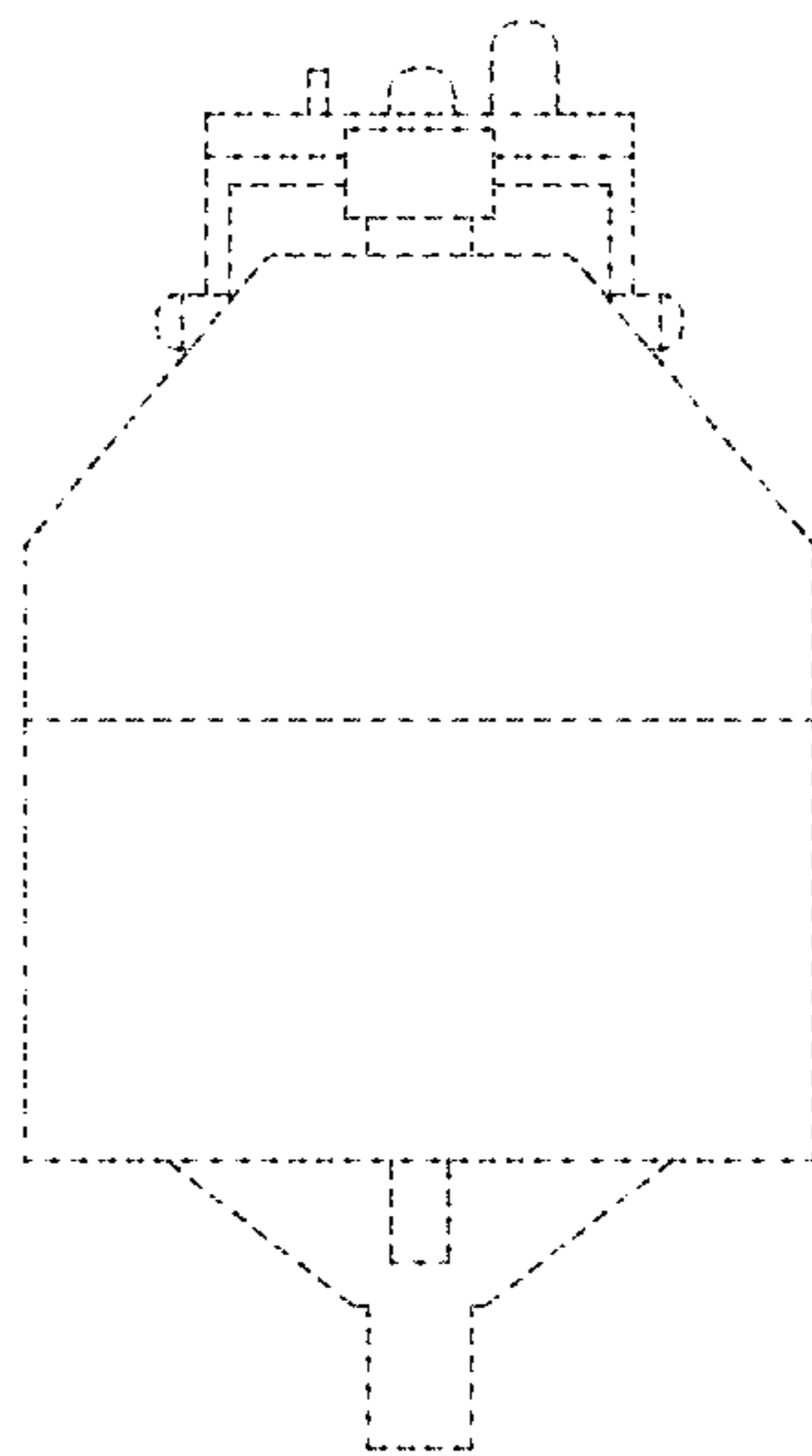


FIG. 15

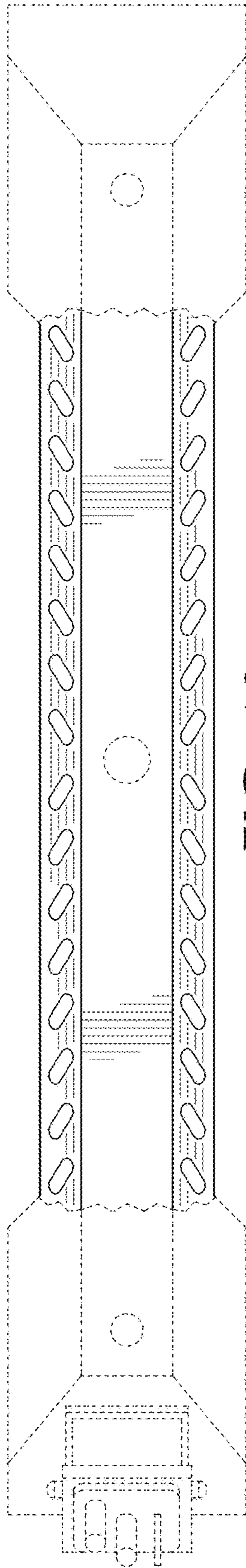


FIG. 16

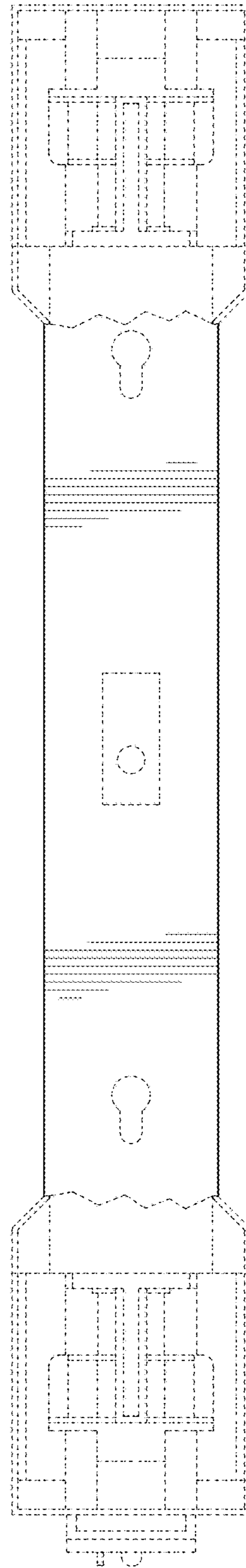


FIG. 17