



US00D822879S

(12) **United States Design Patent**
Hodgson

(10) **Patent No.:** **US D822,879 S**

(45) **Date of Patent:** **** *Jul. 10, 2018**

(54) **DESK LAMP**

(71) Applicant: **The Daylight Company (Holdings) Limited**, London (GB)

(72) Inventor: **Fraser Hodgson**, London (GB)

(73) Assignee: **The Daylight Company (Holdings) Limited** (GB)

(*) Notice: This patent is subject to a terminal disclaimer.

(**) Term: **15 Years**

(21) Appl. No.: **29/564,162**

(22) Filed: **May 11, 2016**

(30) **Foreign Application Priority Data**

Jan. 19, 2016 (EM) 002950253-0001

(51) **LOC (11) Cl.** **26-05**

(52) **U.S. Cl.**
USPC **D26/108**

(58) **Field of Classification Search**
USPC D10/111-114.9; D14/473; D25/126,
D25/129; D26/1, 23, 24, 60-66, 93, 101,
D26/104-110, 112, 113, 118, 120, 144,
D26/154, 128, 142
CPC F21S 6/00; F21S 6/002; F21S 6/003; F21S
6/004; F21S 6/005; F21S 6/006; F21S
6/008; F21V 21/02; F21V 21/08; F21W
2131/30
See application file for complete search history.

(56) **References Cited**

U.S. PATENT DOCUMENTS

D441,476 S * 5/2001 Mendelsohn D26/63
D606,692 S * 12/2009 Waldmann D26/65
D623,332 S * 9/2010 Huang D26/65

D667,982 S * 9/2012 Meda D26/65
D690,860 S * 10/2013 Citterio D26/65
D690,861 S * 10/2013 Huang D26/65
9,103,543 B2 * 8/2015 Marquardt F21V 21/26
D753,860 S * 4/2016 Chen D26/60
D755,430 S * 5/2016 Waldmann D26/63
D757,979 S * 5/2016 Lee D26/65
D761,995 S * 7/2016 Gismondi D26/107
D775,399 S * 12/2016 Fioravanti D26/107
D776,319 S * 1/2017 Sato D26/63
D805,232 S * 12/2017 Volek D26/63

(Continued)

OTHER PUBLICATIONS

Daylight PL Desck Lamp (available online Oct. 29, 2014) Retrieved from the internet Jun. 14, 2017, retrieved from the internet URLhttps://www.youtube.com/watch?v=DPdymWjMUHU.*

(Continued)

Primary Examiner — Garth Rademaker
Assistant Examiner — Richard Kearney
(74) *Attorney, Agent, or Firm* — Laubscher, Spendlove & Laubscher, P.C.

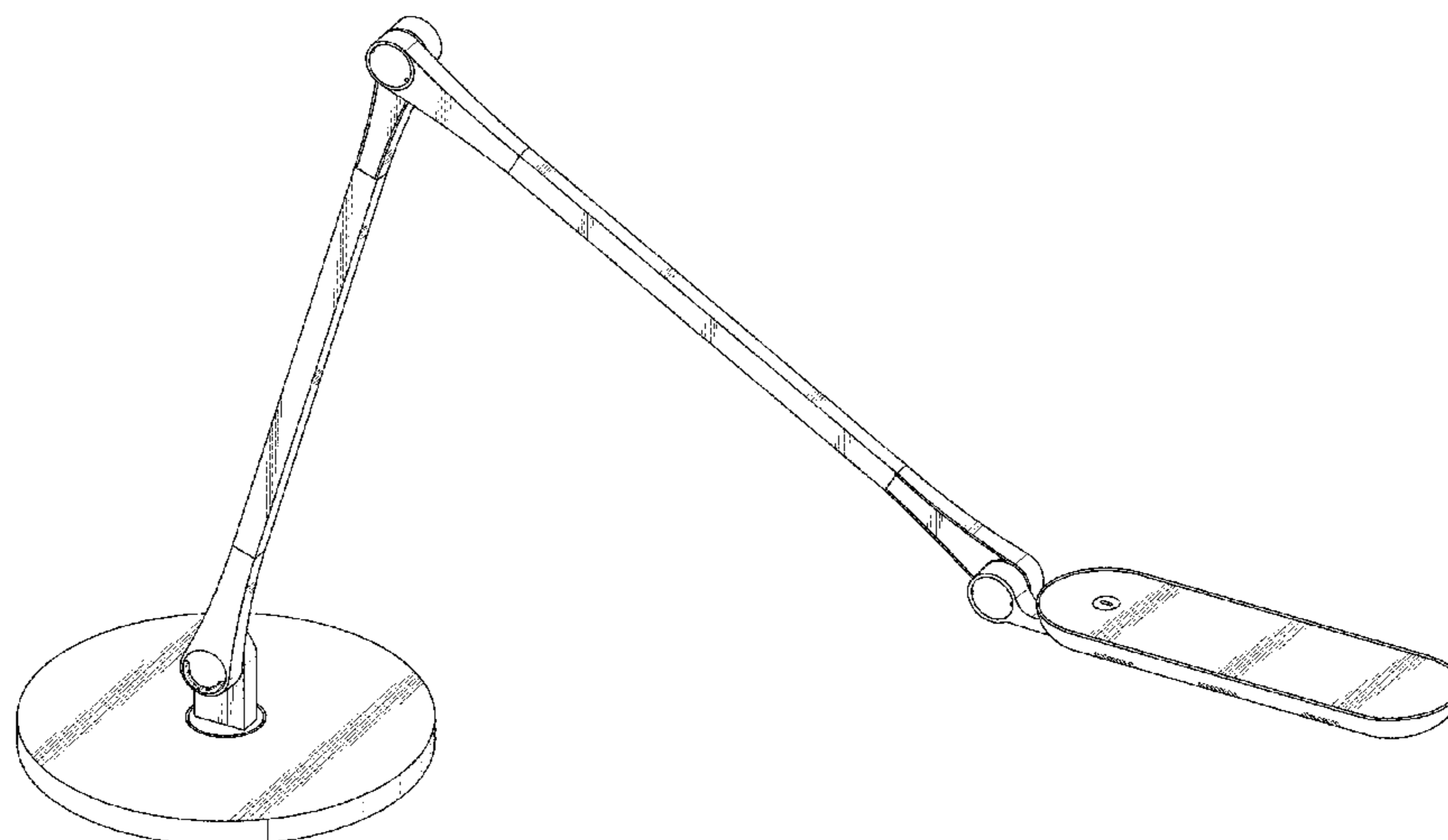
(57) **CLAIM**

The ornamental design for a desk lamp, as shown.

DESCRIPTION

FIG. 1 is a front perspective view of a desk lamp;
FIG. 2 is a front elevation view thereof;
FIG. 3 is a rear elevation view thereof;
FIG. 4 is a right elevation view thereof
FIG. 5 is a left elevation view thereof;
FIG. 6 is a top plan view thereof; and,
FIG. 7 is a bottom plan view thereof.
The broken lines showing the underside of the lamp head and the small circular features and oval feature on the lamp stem, illustrate portions of the desk lamp that form no part of the claimed design.

1 Claim, 6 Drawing Sheets



(56)

References Cited

U.S. PATENT DOCUMENTS

D808,562 S * 1/2018 Li D26/65
D809,187 S * 1/2018 Dai D26/107

OTHER PUBLICATIONS

Zeta Desk Lamp (available online) Retrieved from the internet Jun. 14, 2017, retrieved from the internet URL: <https://daylightcompany.com/table-desk-lamps.html?p=4>.*

LED Desk Lamp , TaoTronics Stylish Metal Design Table Lamps(available online) Retrieved from the internet Jun. 14, 2017, retrieved from the internet URL: https://www.amazon.co.uk/dp/B01M7YKQ3?ref_=ams_ad_dp_asin_1.*

* cited by examiner

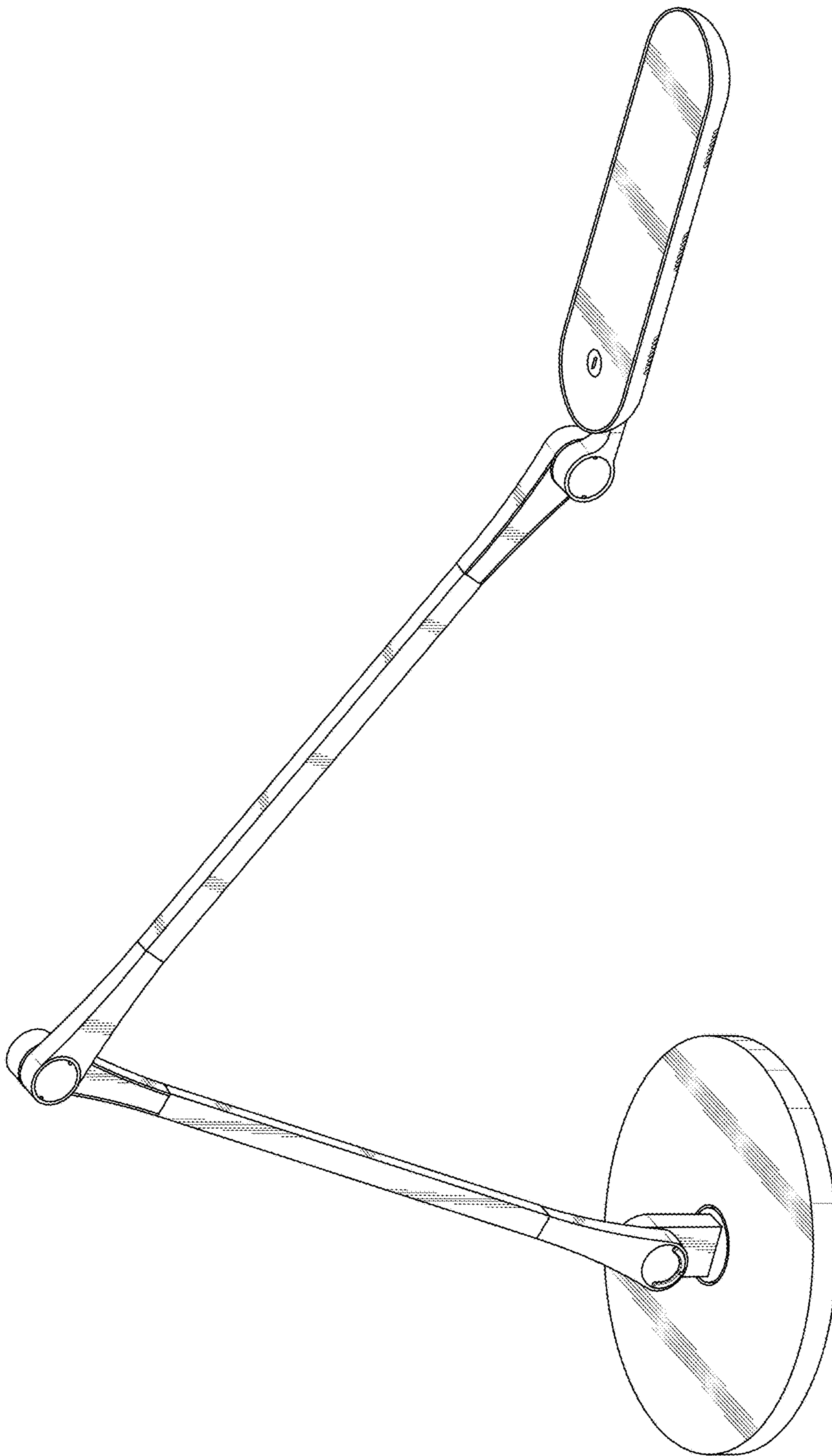


FIG. 1

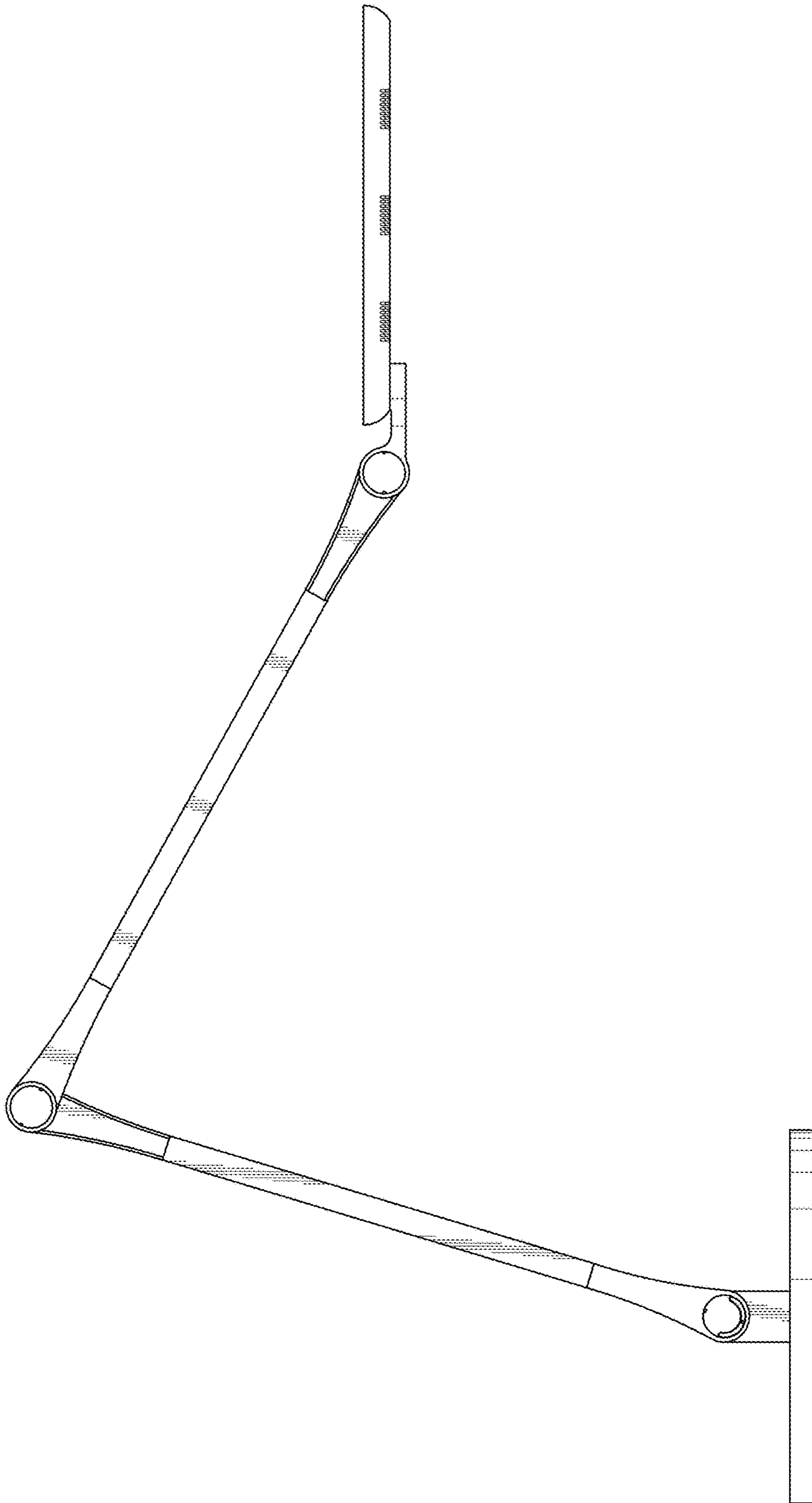


FIG. 2

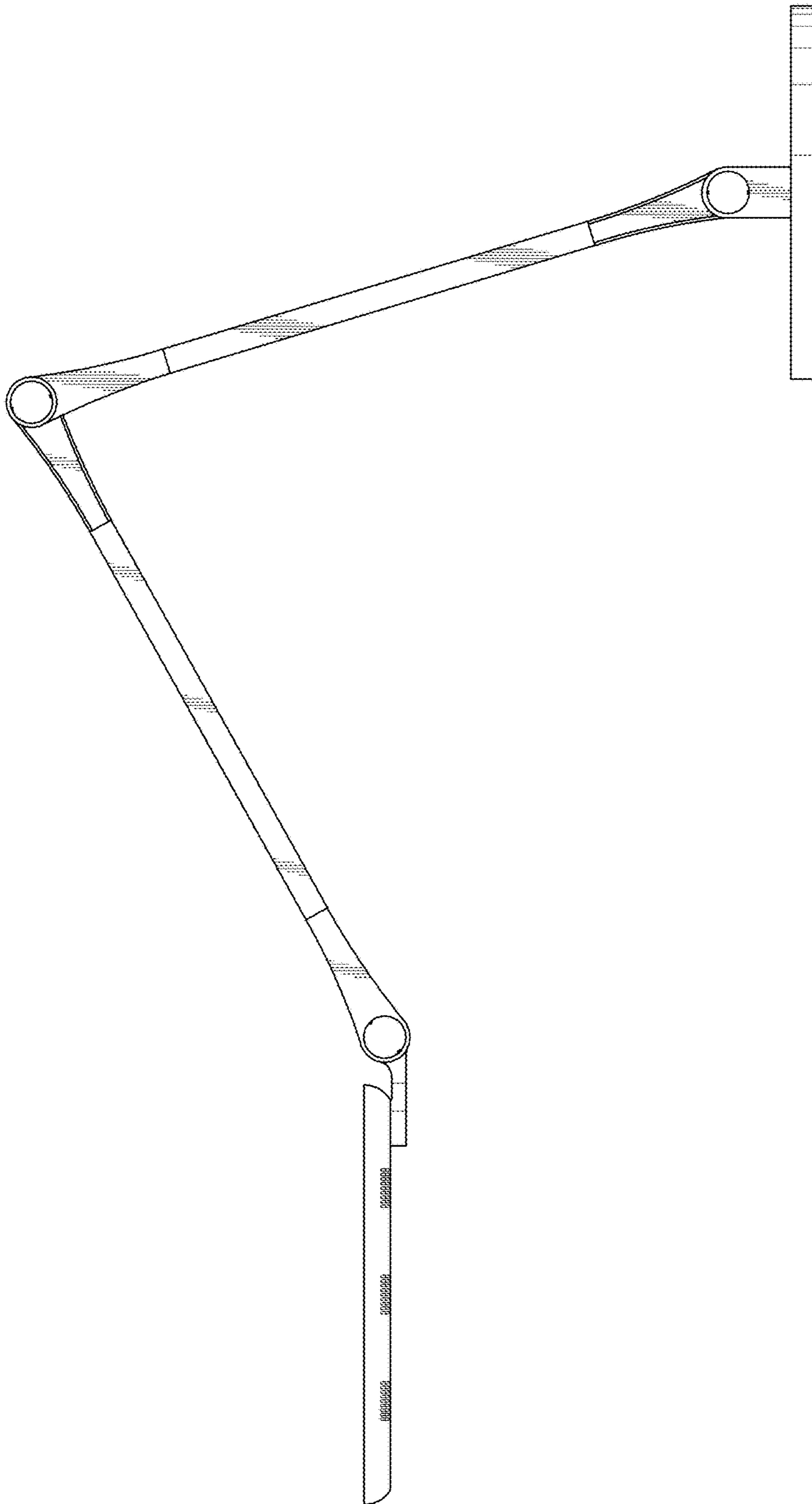


FIG. 3

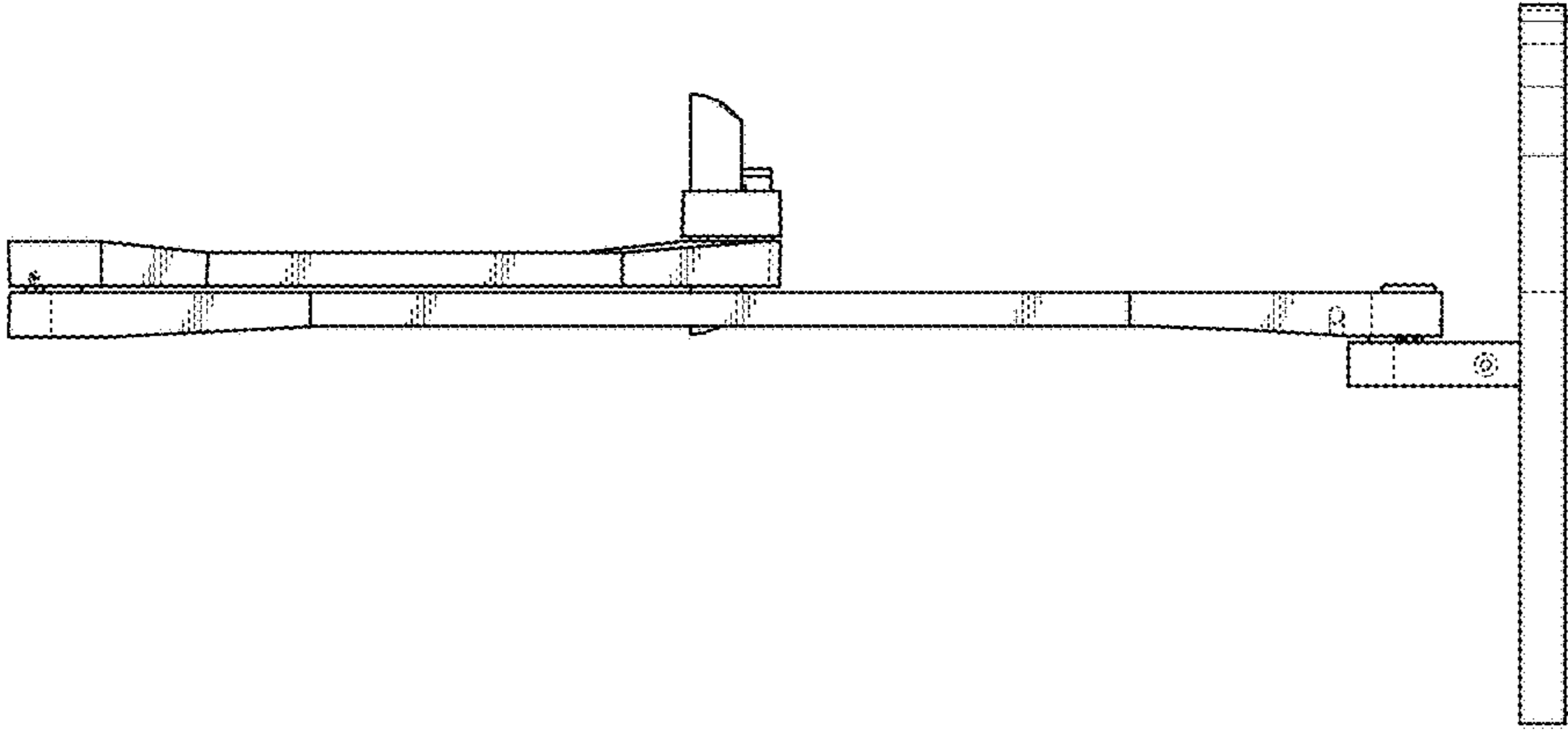


FIG. 5

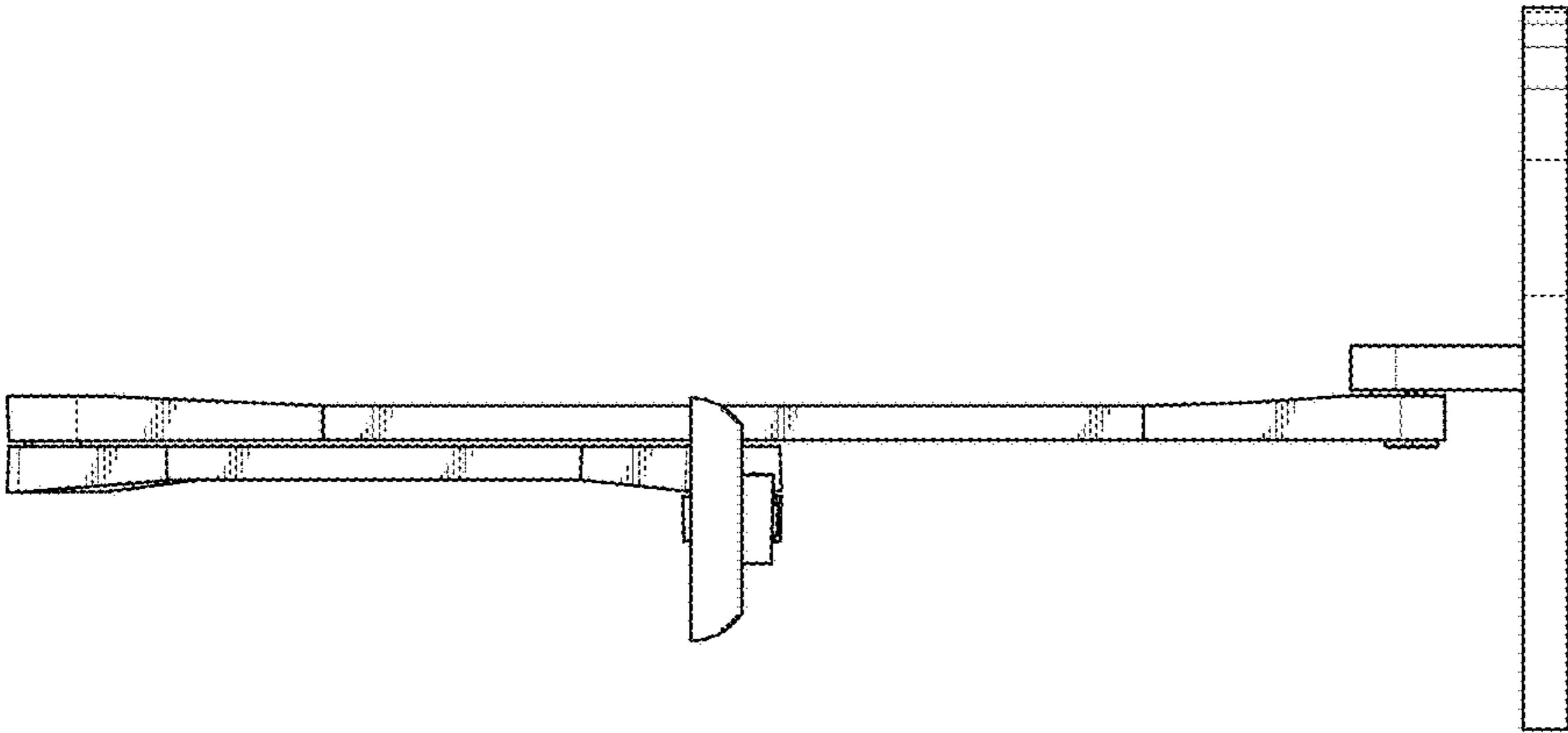


FIG. 4

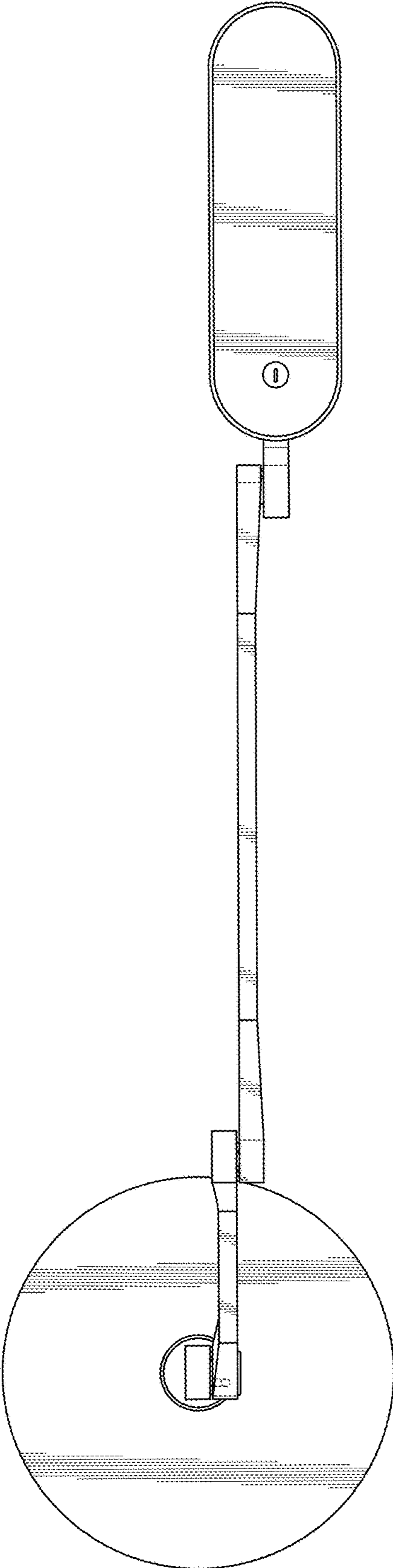


FIG. 6

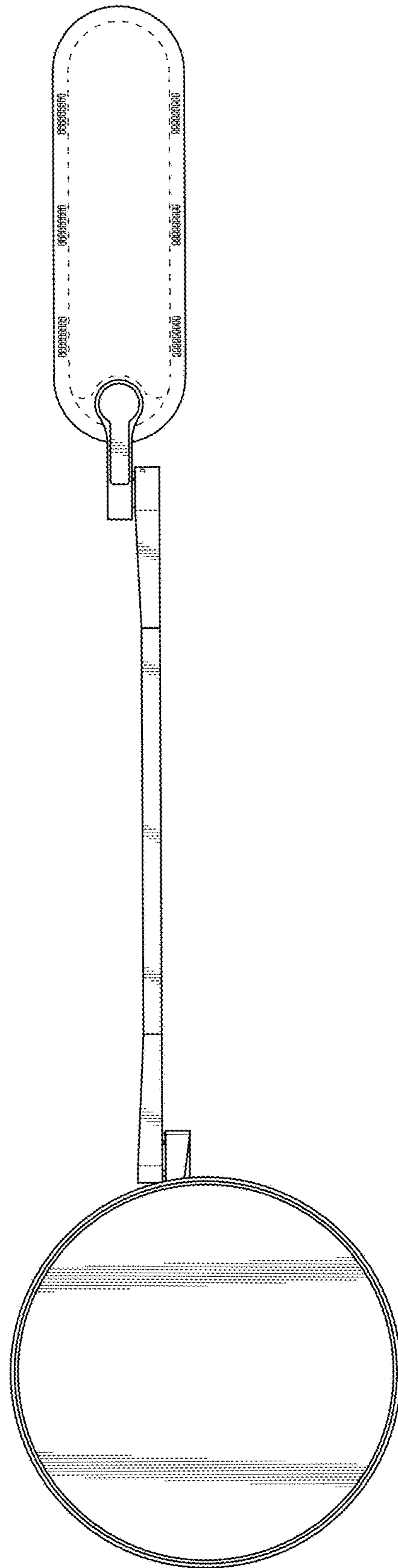


FIG. 7