



US00D822877S

(12) **United States Design Patent**  
**Kaiser**

(10) **Patent No.:** **US D822,877 S**  
(45) **Date of Patent:** **\*\* Jul. 10, 2018**

(54) **LED LIGHT UNIT**

(71) Applicant: **Erik A. Kaiser**, Mendham, NJ (US)

(72) Inventor: **Erik A. Kaiser**, Mendham, NJ (US)

(\*\*) Term: **15 Years**

(21) Appl. No.: **29/610,347**

(22) Filed: **Jul. 11, 2017**

(51) **LOC (11) Cl.** ..... **26-03**

(52) **U.S. Cl.**  
USPC ..... **D26/107**

(58) **Field of Classification Search**  
USPC ..... D26/1, 24, 61, 63, 65, 85, 93, 106, 107  
CPC ..... F21V 21/14; F21V 15/01; F21V 14/02;  
F21V 21/30; F21V 21/00; F21V 14/00;  
F21S 8/00; F21S 8/003; F21S 8/043;  
F21Y 2105/001  
See application file for complete search history.

(56) **References Cited**

**U.S. PATENT DOCUMENTS**

- D147,900 S \* 11/1947 Fanelli ..... D26/107
- D608,925 S \* 1/2010 Hodgson ..... D26/62
- D673,716 S \* 1/2013 Huang ..... D26/93

\* cited by examiner

*Primary Examiner* — Randall H Gholson

(74) *Attorney, Agent, or Firm* — Steven N. Fox, Esq.

(57) **CLAIM**

The ornamental design for a LED light unit, as shown and described.

**DESCRIPTION**

FIG. 1 is a front perspective view of a LED light unit according to the present invention mounted to a pole of a stand with first and second LED lights of the LED light unit shown in a substantially upright position;

FIG. 2 is a front perspective view of the LED light unit mounted to the pole with first and second LED lights of the LED light unit shown in a bent position;

FIG. 3 is a rear perspective view of the LED light unit mounted to the pole with first and second LED lights of the LED light unit shown in a bent position;

FIG. 4 is a front perspective view of the LED light unit;

FIG. 5 is a rear perspective view thereof;

FIG. 6 is a left side perspective view thereof;

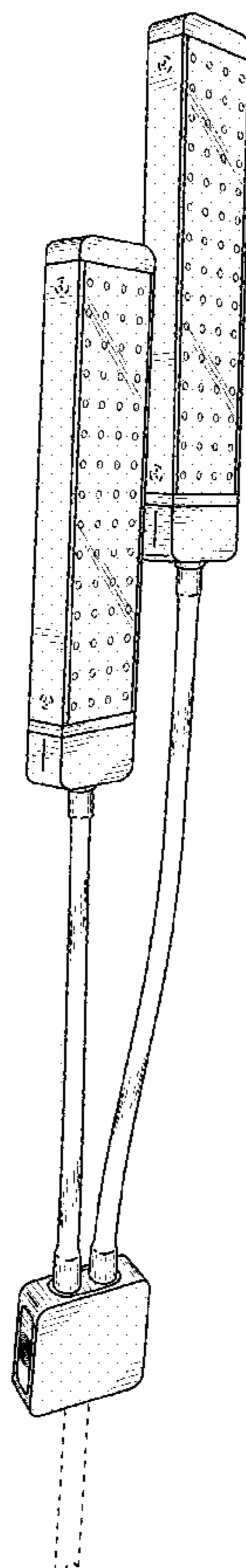
FIG. 7 is a right side perspective view thereof;

FIG. 8 is a top perspective view thereof; and,

FIG. 9 is a bottom perspective view thereof.

The broken lines showing a pole is environmental and forms no part of the claimed design.

**1 Claim, 9 Drawing Sheets**



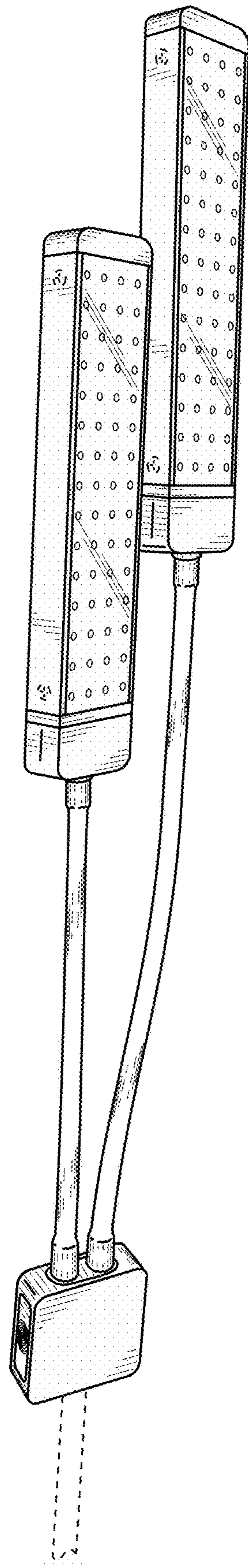


FIG. 1

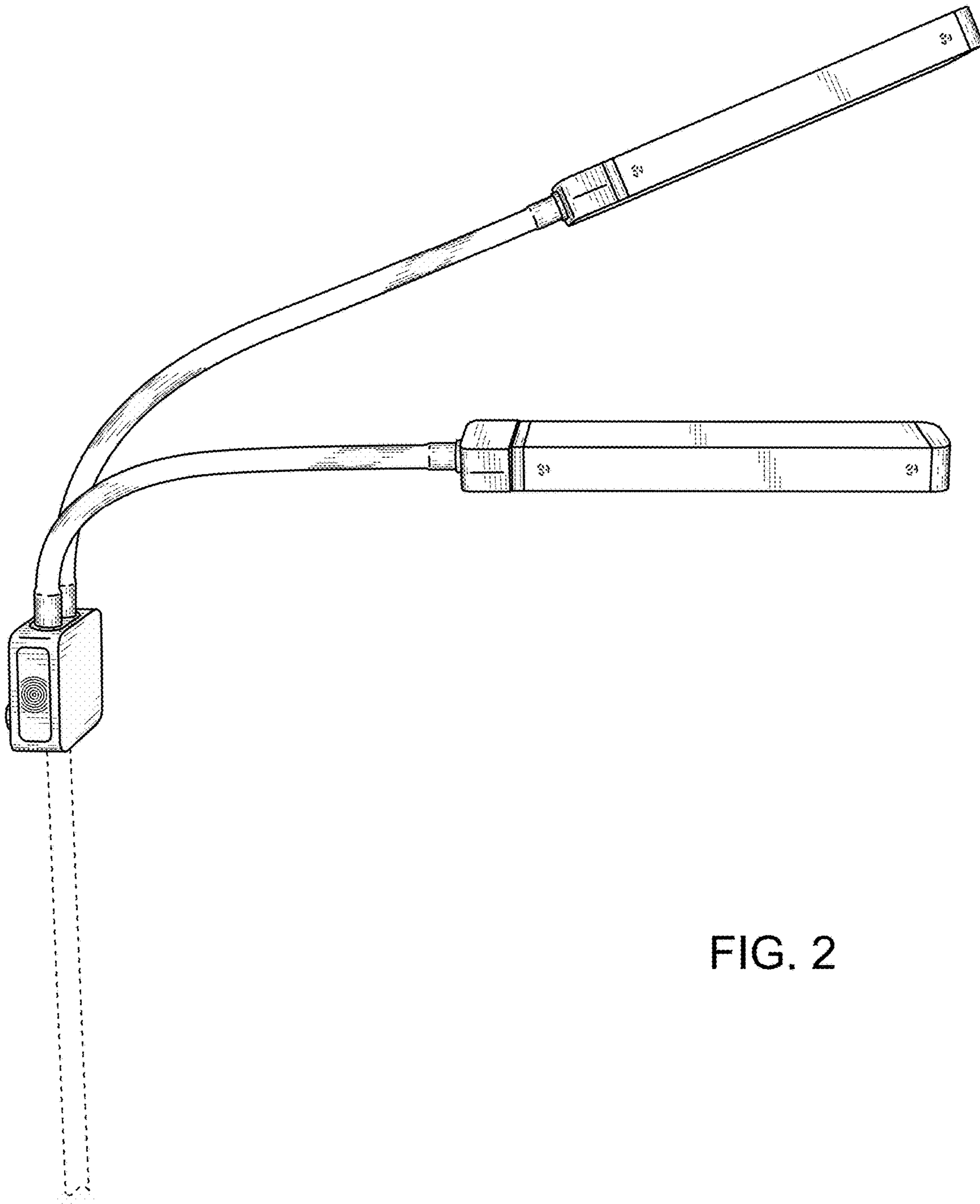


FIG. 2

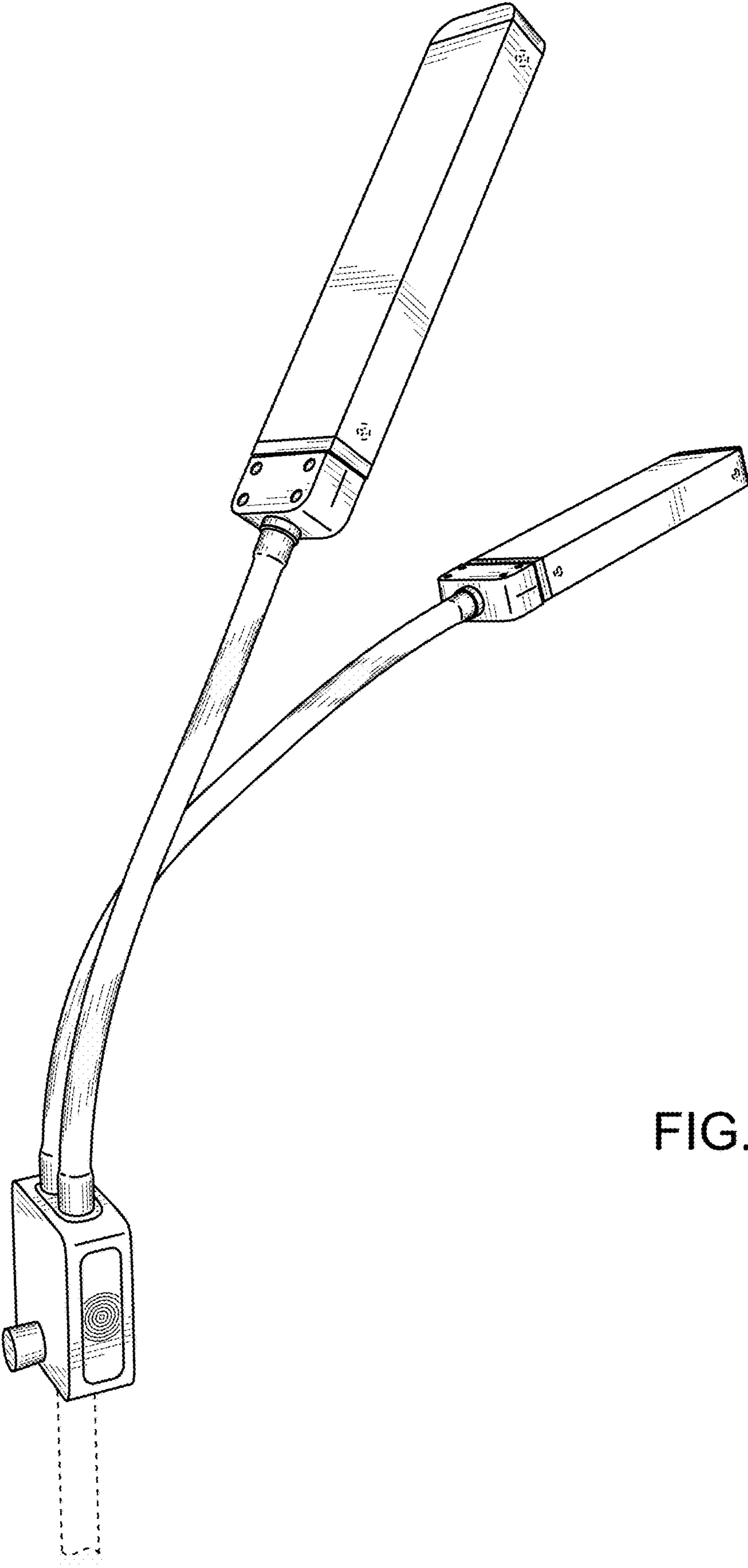


FIG. 3

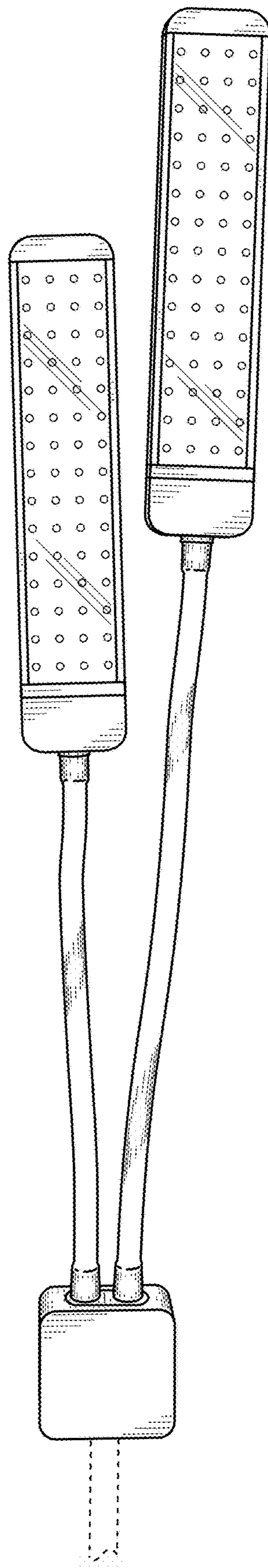


FIG. 4

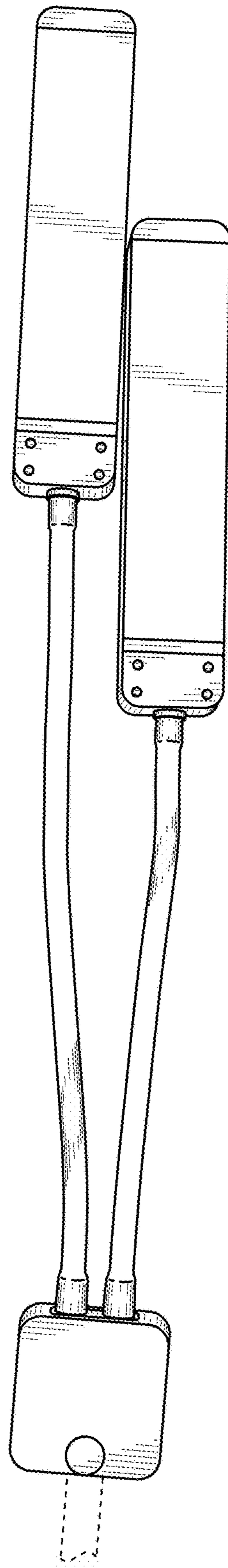


FIG. 5

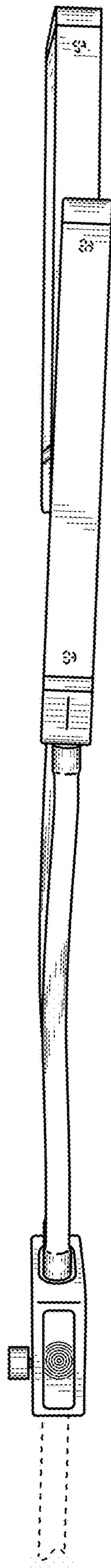


FIG. 6

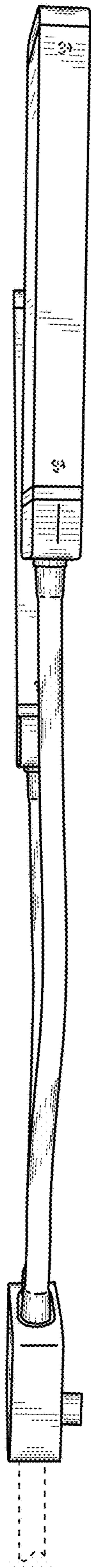


FIG. 7



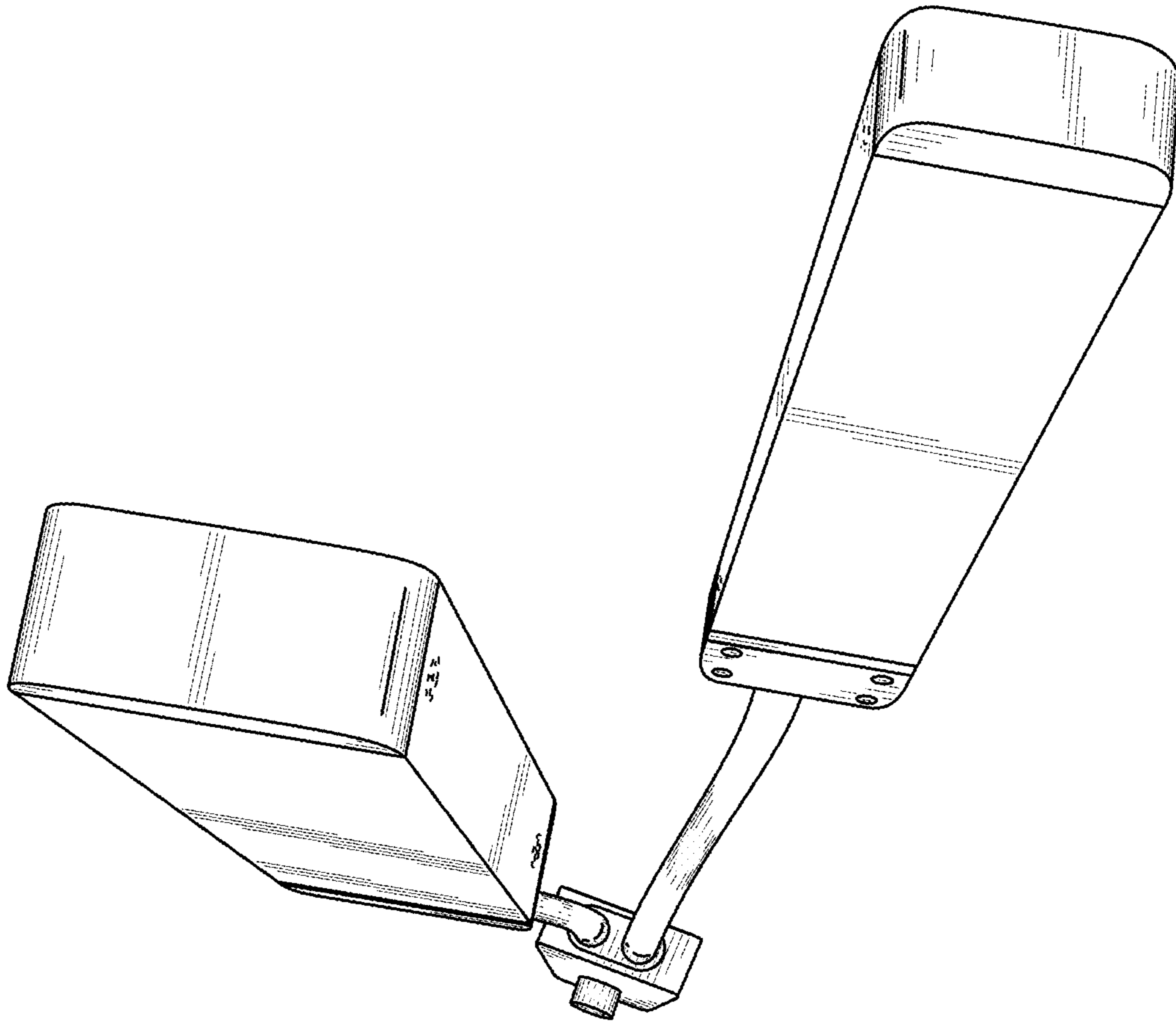


FIG. 8



FIG. 9