



US00D822875S

(12) **United States Design Patent**
Hou

(10) **Patent No.:** **US D822,875 S**

(45) **Date of Patent:** **** Jul. 10, 2018**

(54) **MULTIFUNCTIONAL SOLAR LIGHT**

(71) Applicant: **Mao Hou**, Shenzhen (CN)

(72) Inventor: **Mao Hou**, Shenzhen (CN)

(**) Term: **15 Years**

(21) Appl. No.: **29/563,342**

(22) Filed: **May 4, 2016**

(51) **LOC (11) Cl.** **26-03**

(52) **U.S. Cl.**
USPC **D26/87**

(58) **Field of Classification Search**
USPC D26/63, 65, 67, 68, 69, 70, 71, 72, 85,
D26/87, 92
CPC F21S 8/03; F21S 8/033; F21S 8/036; F21S
8/037; F21S 9/022; F21S 9/024; F21S
9/03; F21S 9/035; F21S 9/037; F21W
2131/107

See application file for complete search history.

(56) **References Cited**

U.S. PATENT DOCUMENTS

D231,942 S *	6/1974	Cincotta et al.	D26/75
D257,895 S *	1/1981	Wotowiec	D26/85
5,211,470 A *	5/1993	Frost	F21S 8/081 362/183
5,673,886 A *	10/1997	Negishi	F21S 8/081 248/218.4
D496,750 S *	9/2004	Waldmann	D26/78
D533,298 S *	12/2006	Kuelbs	D13/102

D636,107 S *	4/2011	Compton	D26/71
D647,234 S *	10/2011	Izardel	D26/65
D660,505 S *	5/2012	Smith	D26/63
D762,903 S *	8/2016	Tsai	D26/63
D764,693 S *	8/2016	Sung	D26/63
D764,694 S *	8/2016	Tsai	D26/63

* cited by examiner

Primary Examiner — Clare E Heflin

(74) *Attorney, Agent, or Firm* — Novoclaims Patent Services LLC; Mei Lin Wong

(57) **CLAIM**

The ornamental design for a multifunctional solar light, as shown and described.

DESCRIPTION

FIG. 1 is a perspective view of a multifunctional solar light showing my new design.

FIG. 2 is a front view thereof.

FIG. 3 is a rear view thereof.

FIG. 4 is a right end view thereof.

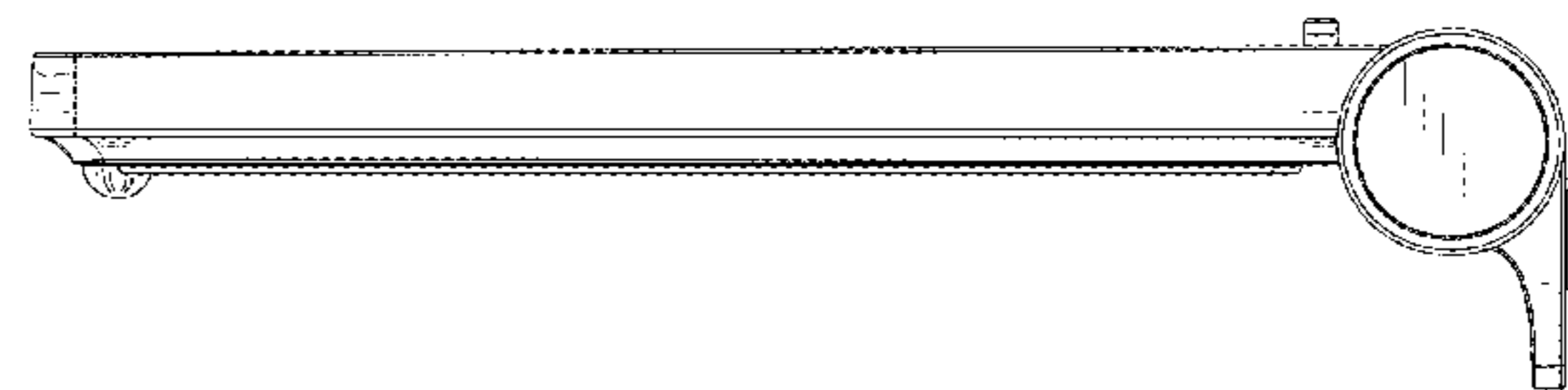
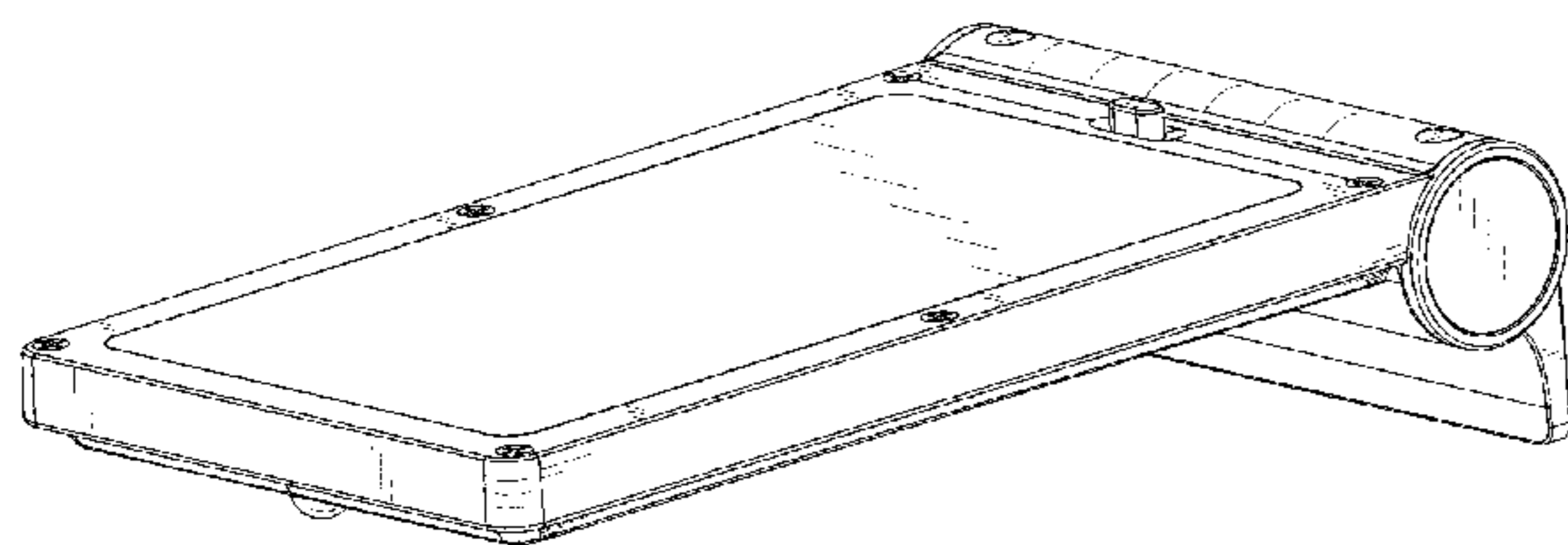
FIG. 5 is a left end view thereof.

FIG. 6 is a top view thereof; and,

FIG. 7 is a bottom view thereof.

The broken lines in the drawings represent unclaimed environmental subject matter that forms no part of the claimed design.

1 Claim, 7 Drawing Sheets



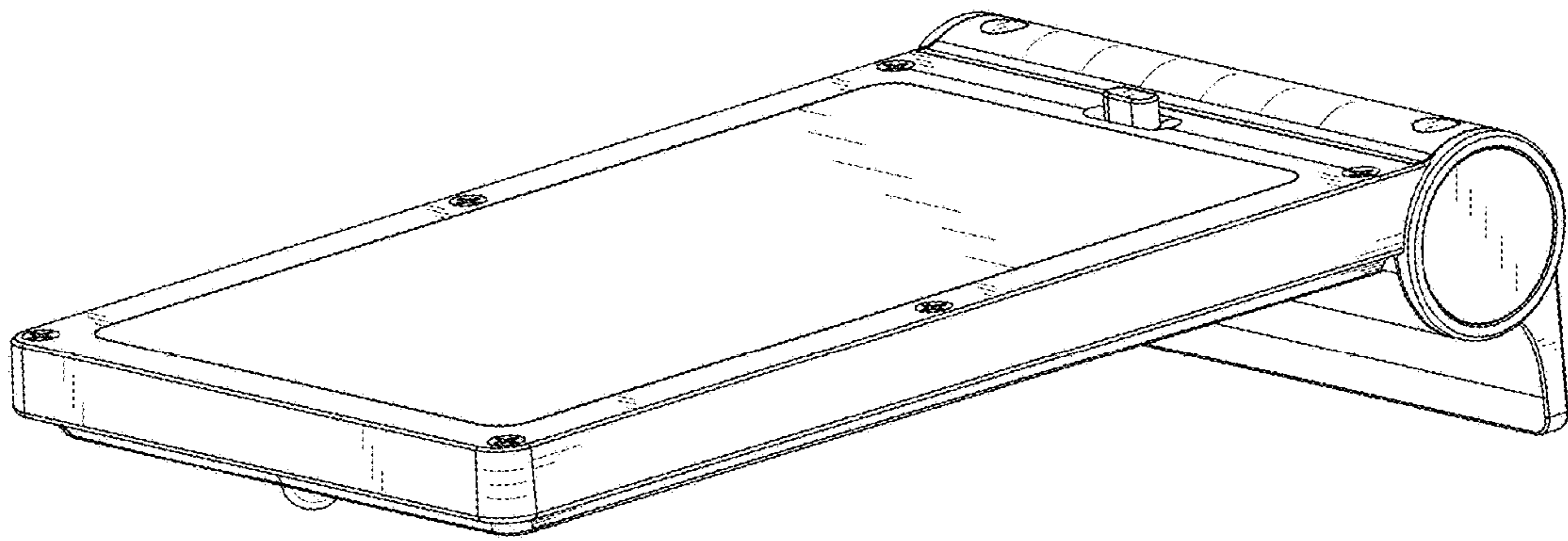


FIG.1

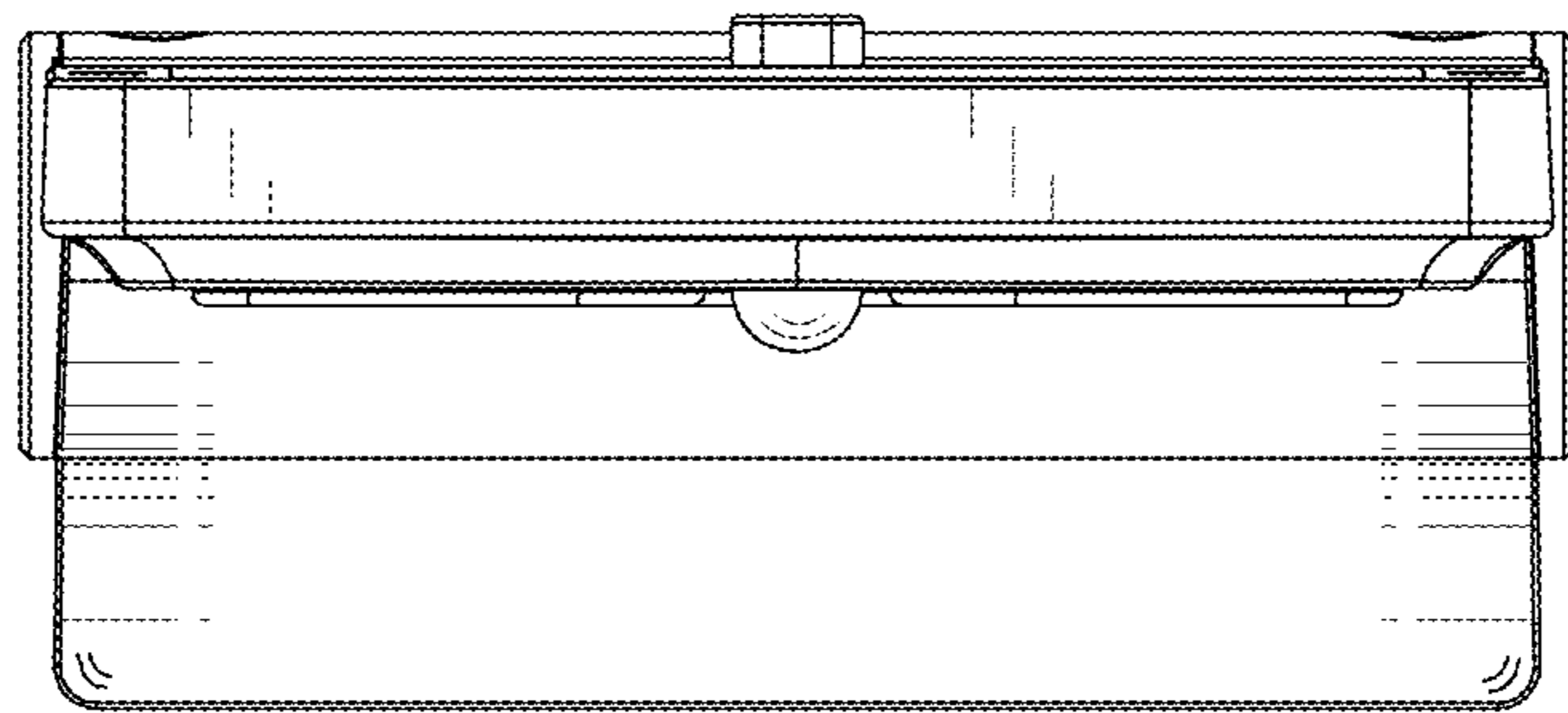


FIG.2

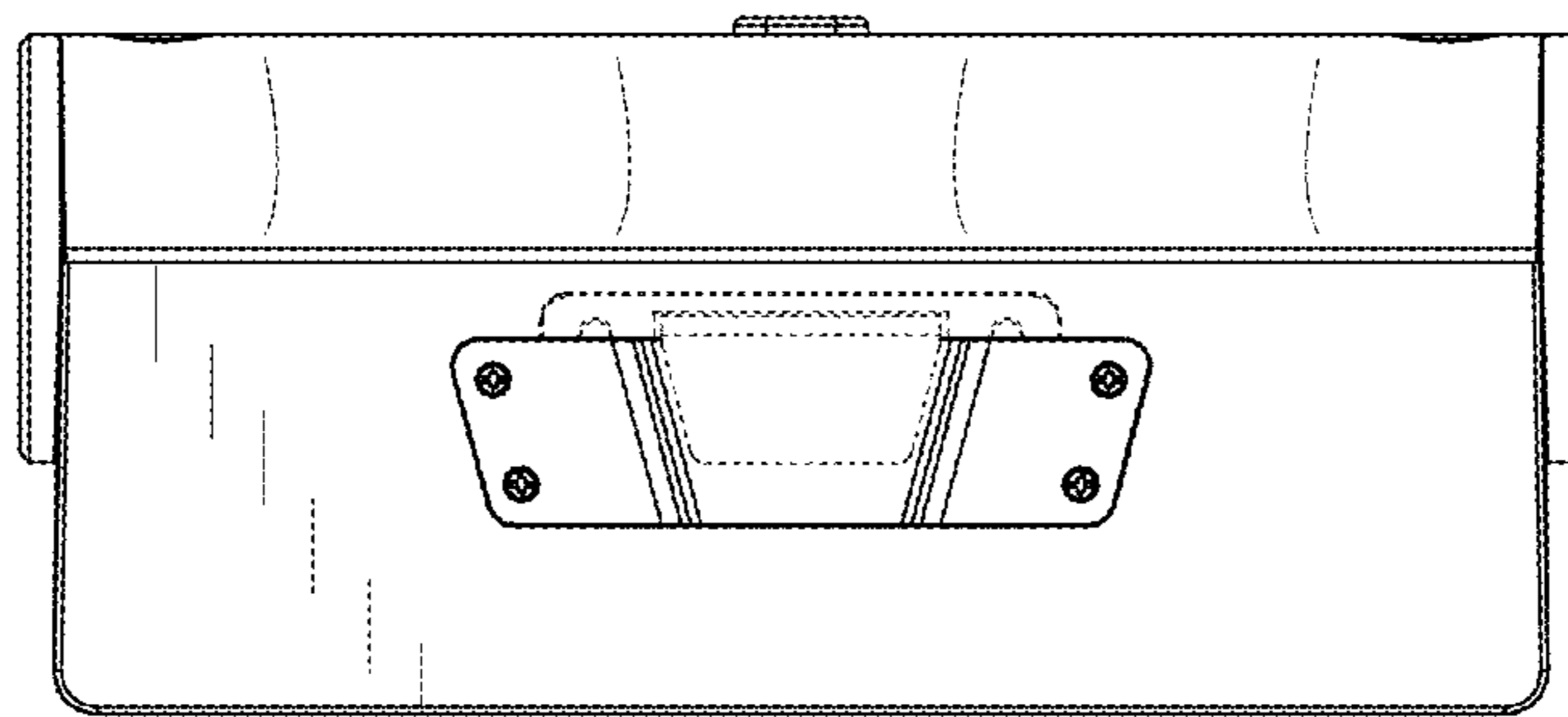


FIG.3

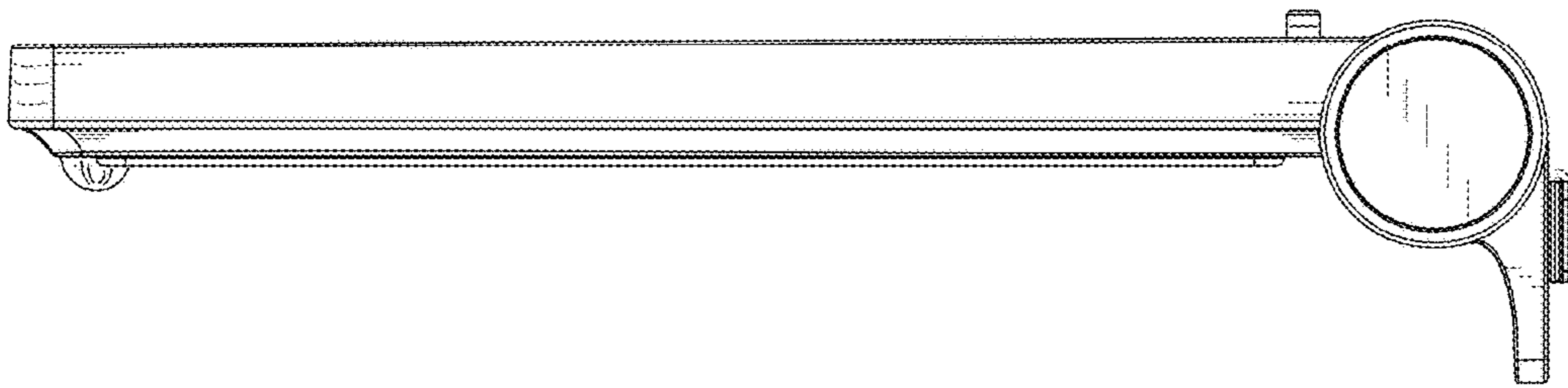


FIG.4

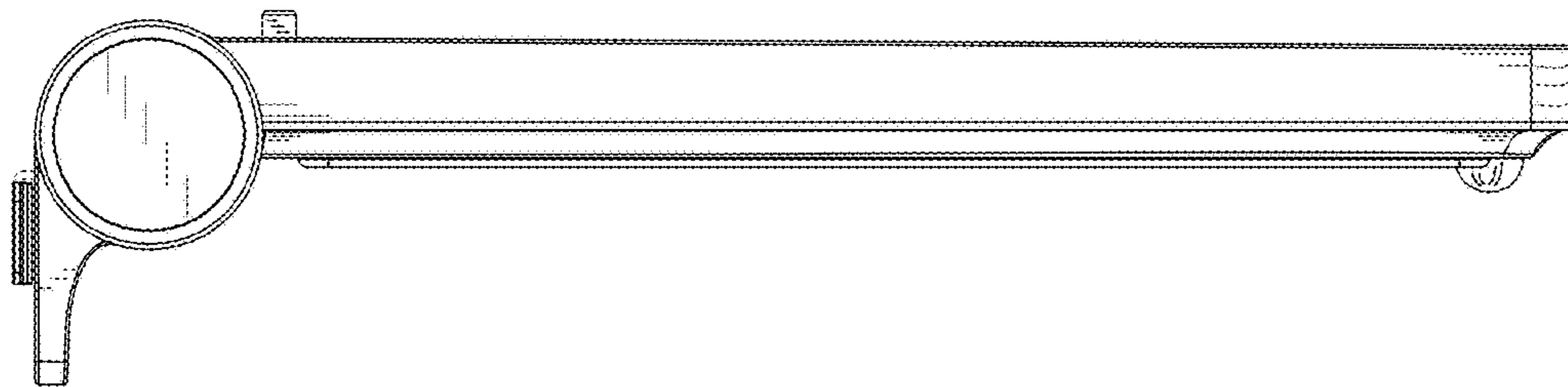


FIG.5

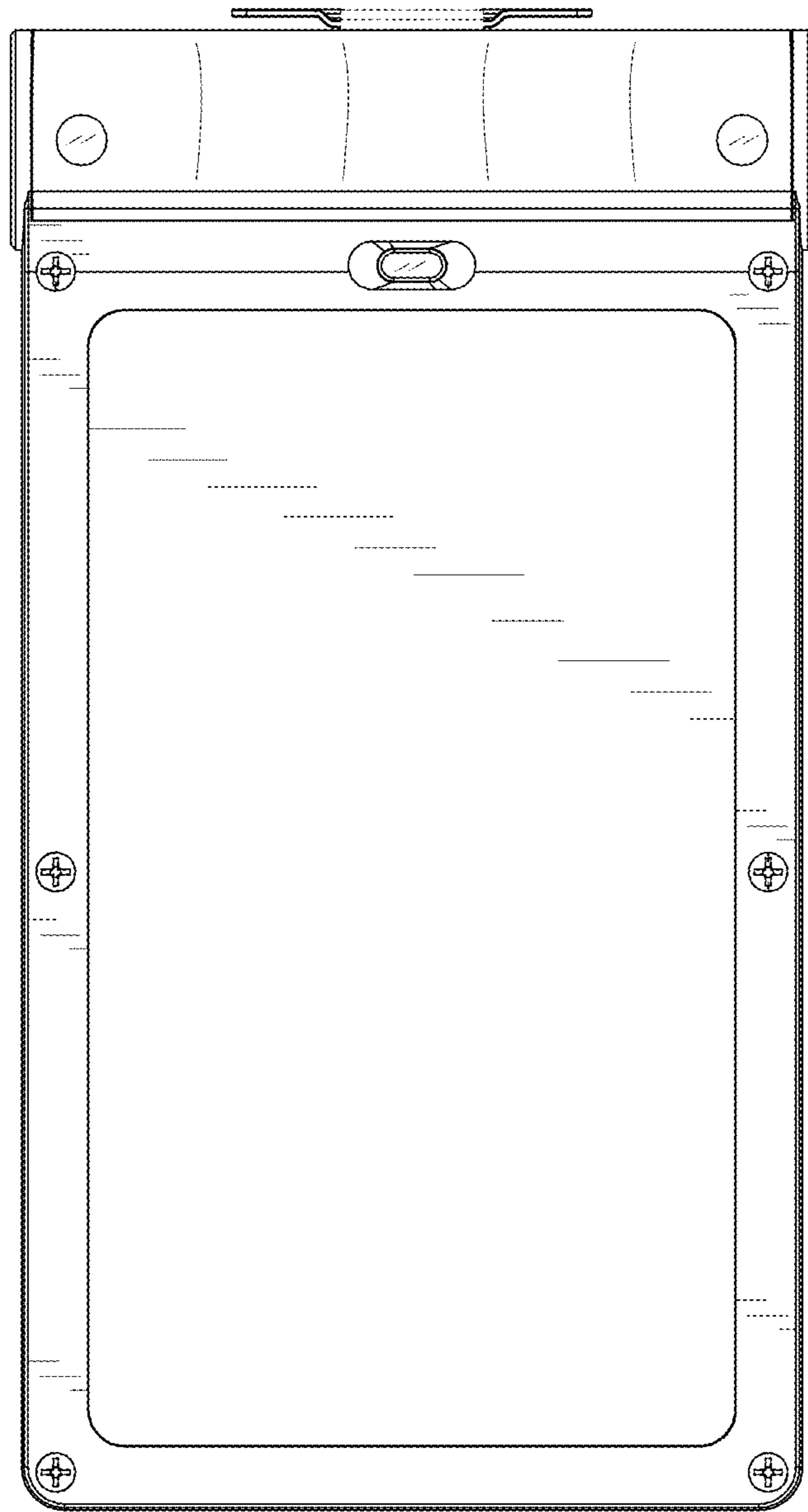


FIG.6

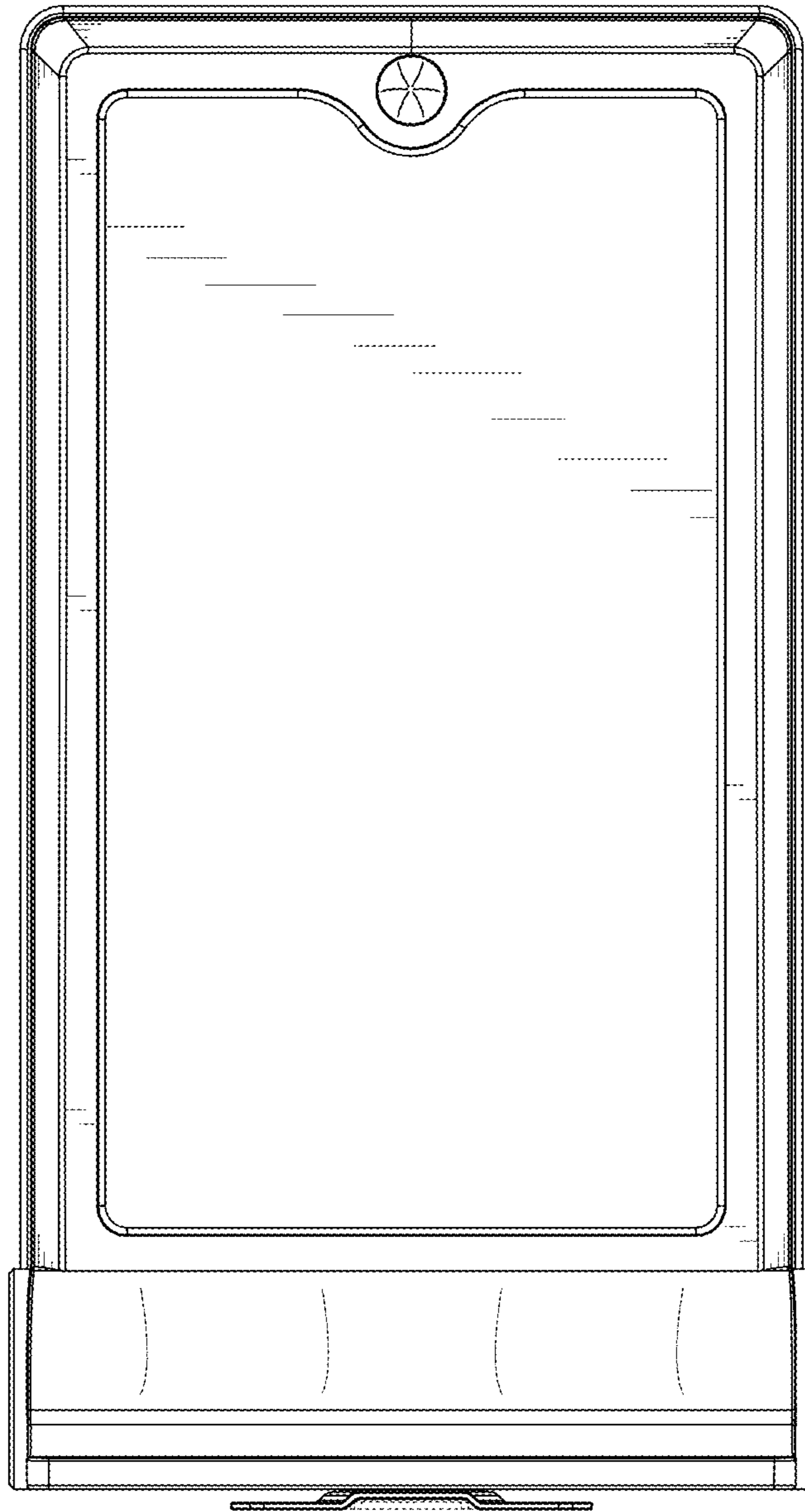


FIG. 7