



US00D822873S

(12) **United States Design Patent**
Bobel

(10) **Patent No.:** **US D822,873 S**
(45) **Date of Patent:** **** Jul. 10, 2018**

- (54) **LIGHT FIXTURE**
- (71) Applicant: **Neptun Light, Inc.**, Lake Forest, IL (US)
- (72) Inventor: **Andrzej Bobel**, Lake Forest, IL (US)
- (**) Term: **15 Years**
- (21) Appl. No.: **29/608,181**
- (22) Filed: **Jun. 20, 2017**
- (51) **LOC (11) Cl.** **26-04**
- (52) **U.S. Cl.**
USPC **D26/76**
- (58) **Field of Classification Search**
USPC D26/76, 78, 79, 80, 81, 82, 83, 85, 86, D26/88, 90, 113, 118, 119, 120, 121, 122, D26/138, 139, 140, 141, 142, 152
CPC F21S 2/00; F21S 4/00; F21S 4/003; F21S 4/005; F21S 4/006; F21S 4/007; F21S 4/008; F21S 6/00; F21S 8/00; F21S 8/024; F21S 8/026; F21S 8/031; F21S 8/033; F21S 8/035-8/037; F21S 8/04; F21S 8/043; F21S 8/063
See application file for complete search history.

9,016,892	B1 *	4/2015	Scribante	F21V 29/763
					362/222
D744,690	S *	12/2015	Boyer	D26/76
9,279,553	B1 *	3/2016	Scribante	F21S 8/026
D762,322	S *	7/2016	Scribante	D26/90
D780,363	S *	2/2017	Scribante	D26/76
D780,973	S *	3/2017	Scribante	D26/76
D780,974	S *	3/2017	Scribante	D26/76
D786,476	S *	5/2017	McCane	D26/76
2017/0097152	A1 *	4/2017	Scribante	F21V 29/83

* cited by examiner

Primary Examiner — George D. Kirschbaum
Assistant Examiner — Natasha Vujcic

(74) *Attorney, Agent, or Firm* — Kundu PLLC

(57) **CLAIM**

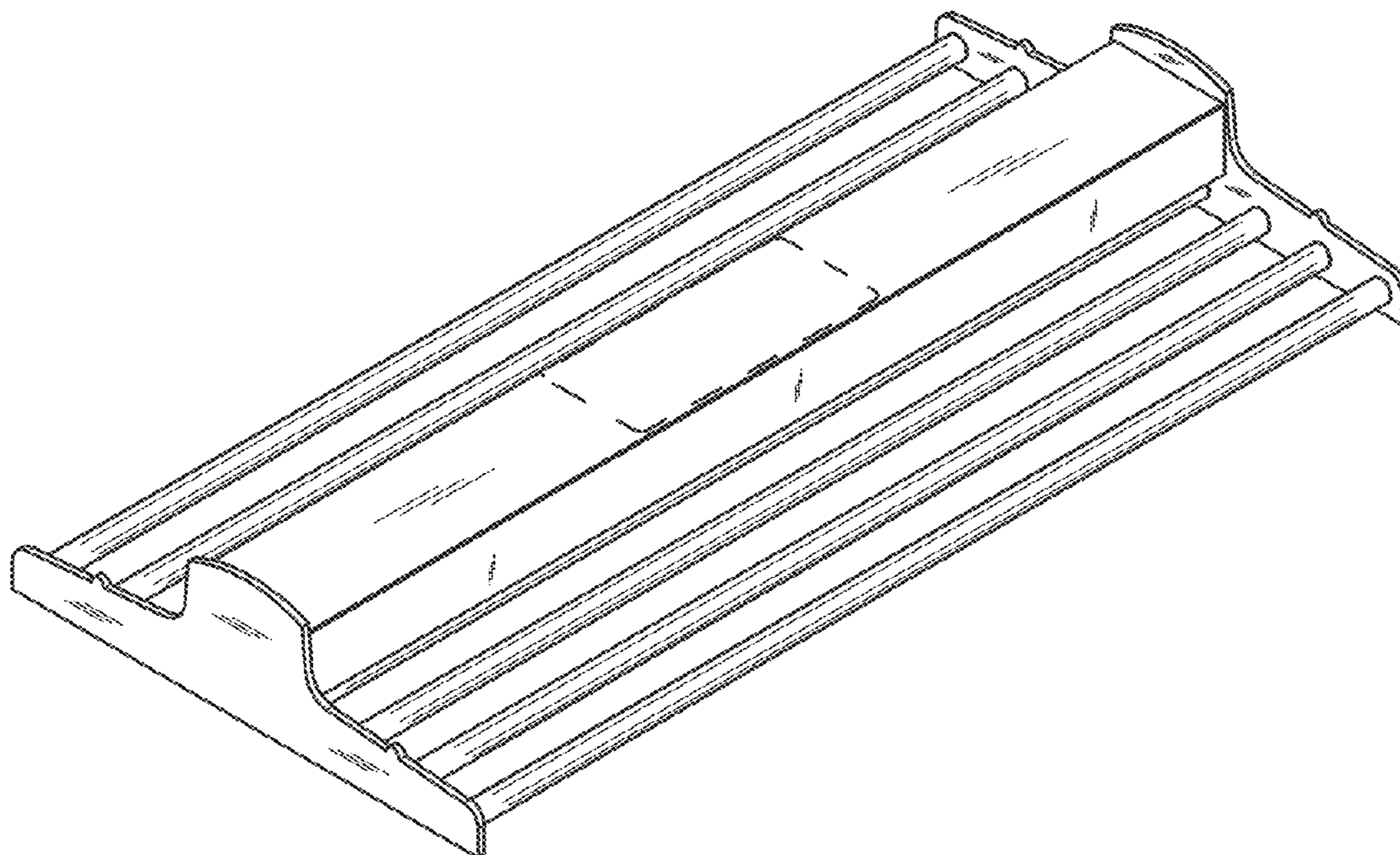
The ornamental design for a light fixture, as shown and described.

DESCRIPTION

FIG. 1 is a front side view of the light fixture showing the claimed design;
FIG. 2 is a rear side view thereof;
FIG. 3 is a left side view thereof;
FIG. 4 is a top side view thereof;
FIG. 5 is a bottom side view thereof;
FIG. 6 is a top perspective view thereof; and,
FIG. 7 is a bottom perspective view thereof.
The broken lines in the drawings illustrate portions of the light fixture which forms no part of the claimed design.

1 Claim, 7 Drawing Sheets

- (56) **References Cited**
U.S. PATENT DOCUMENTS
2,474,308 A * 6/1949 Franck F21S 8/04
D26/76
D596,778 S * 7/2009 Yamazato D26/76



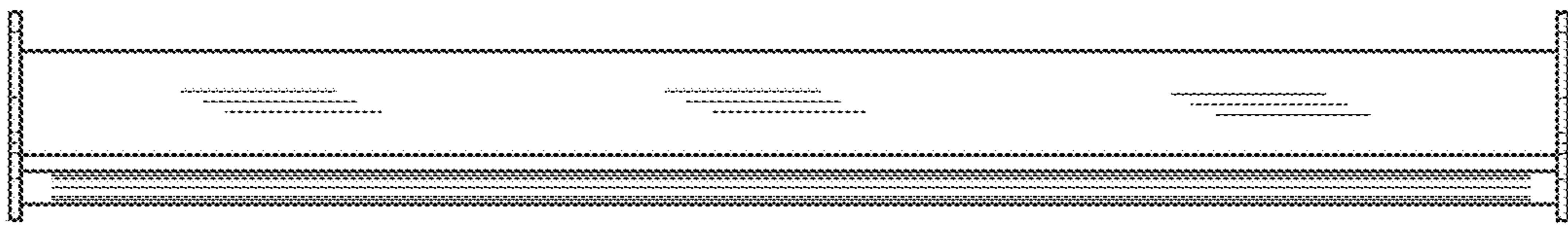


Fig. 1

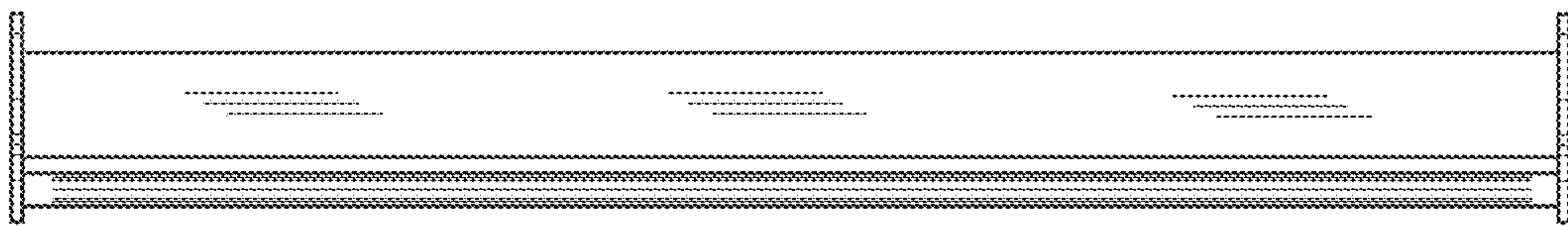


Fig. 2

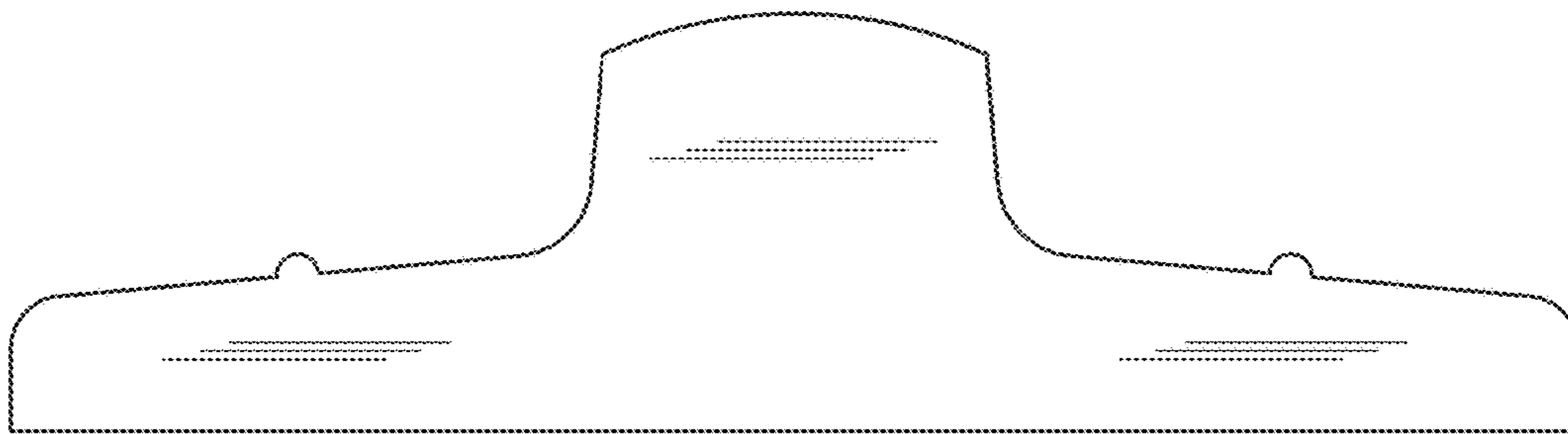


Fig. 3

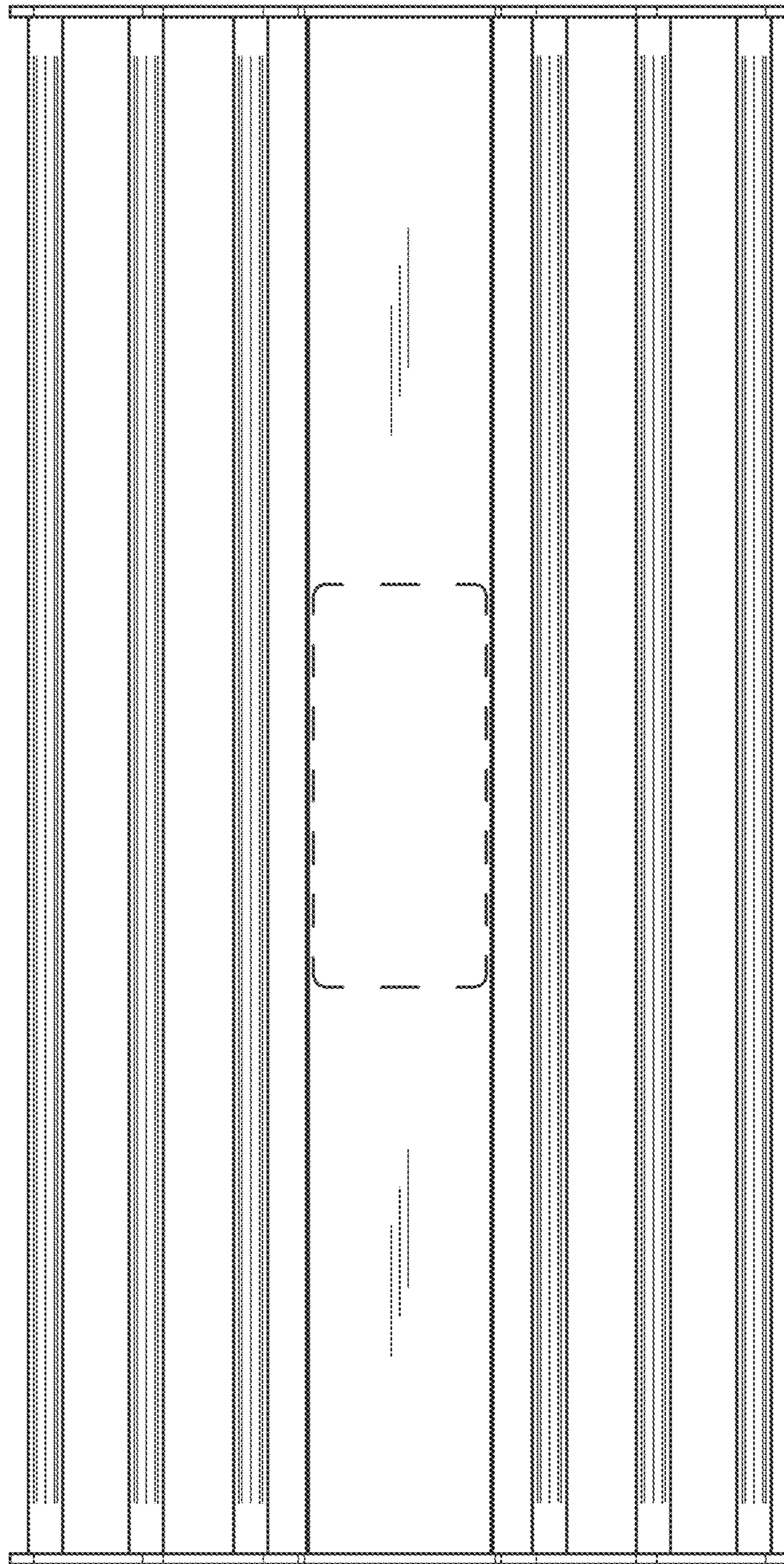


Fig. 4

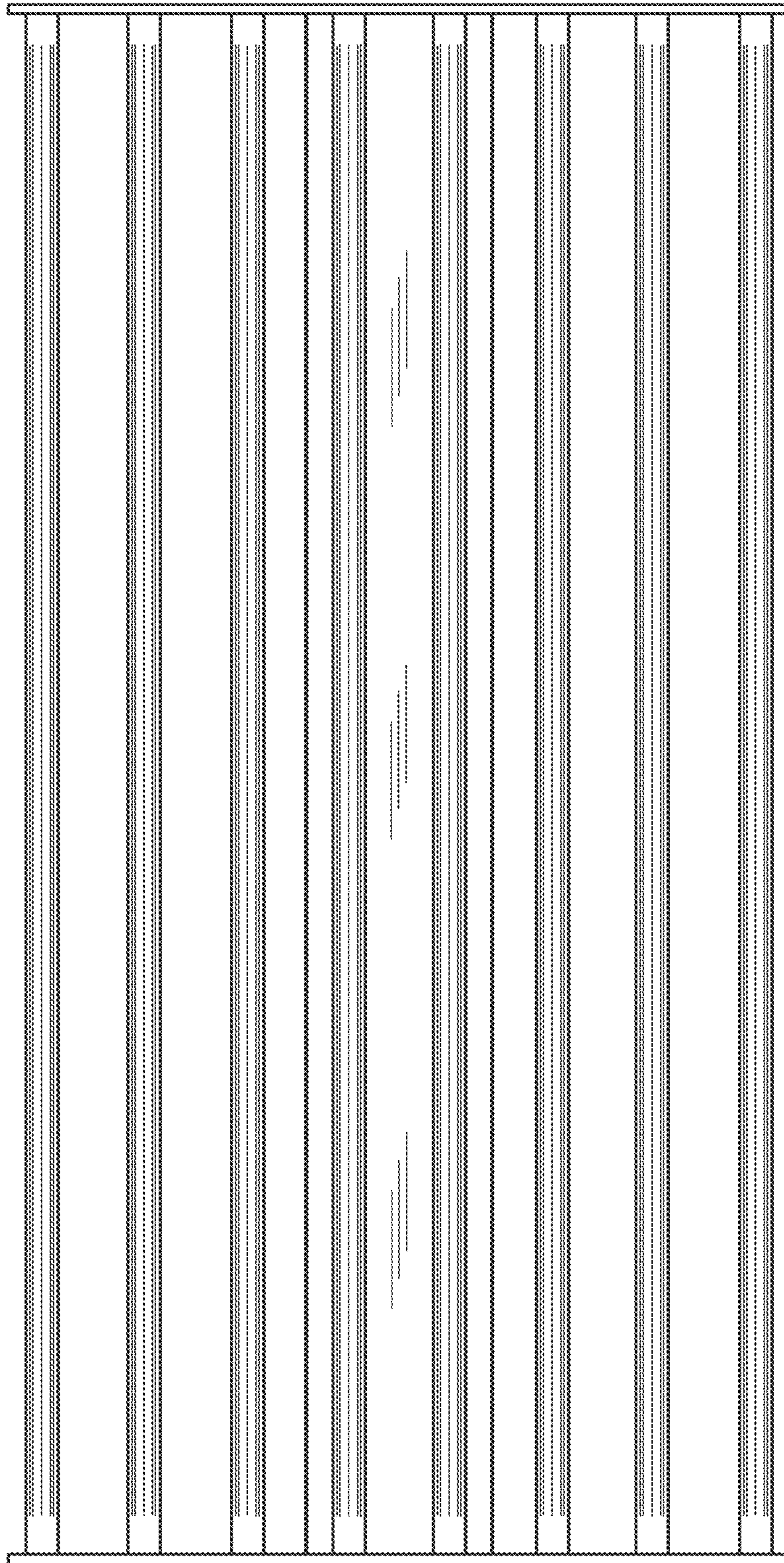


Fig. 5

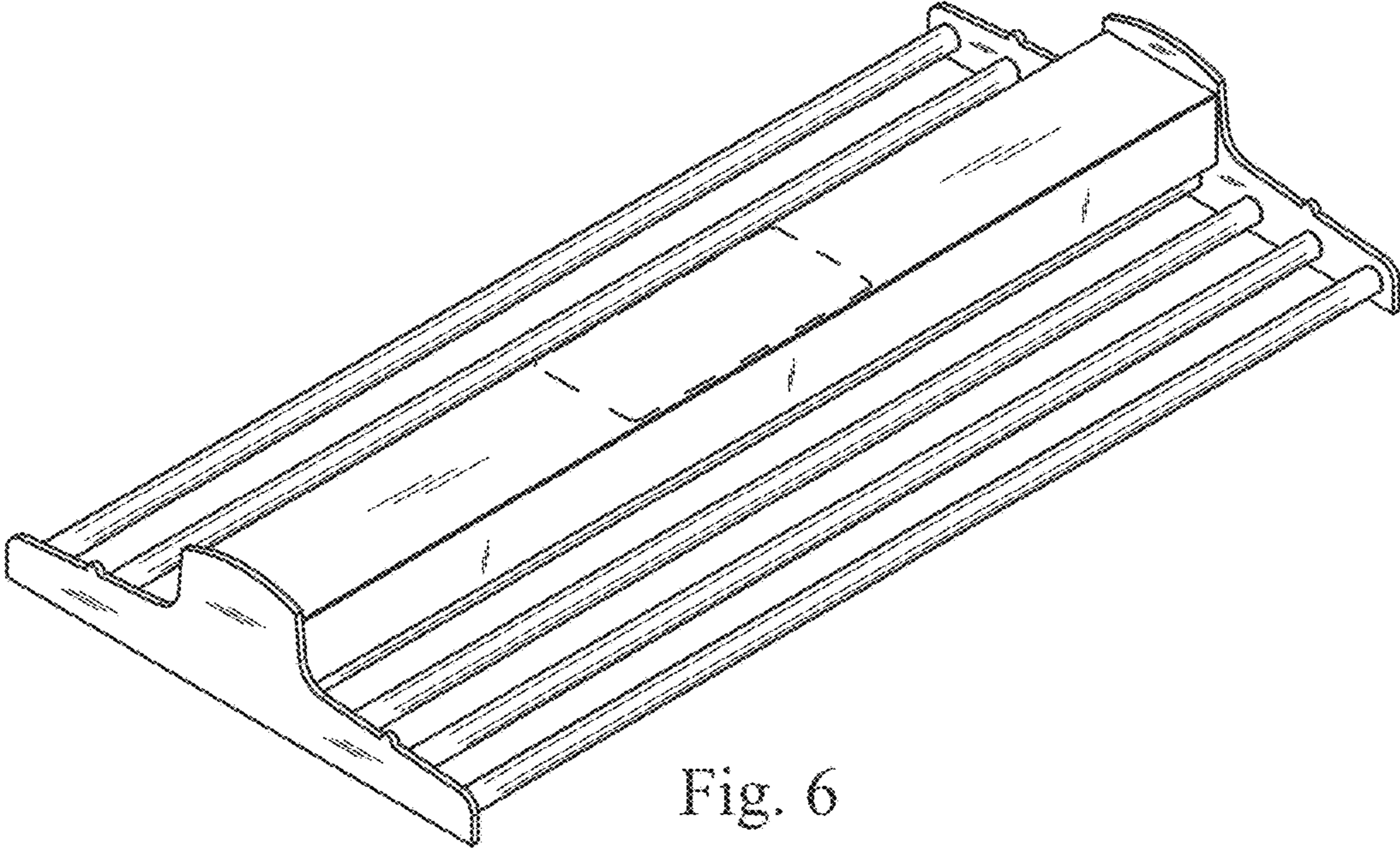


Fig. 6

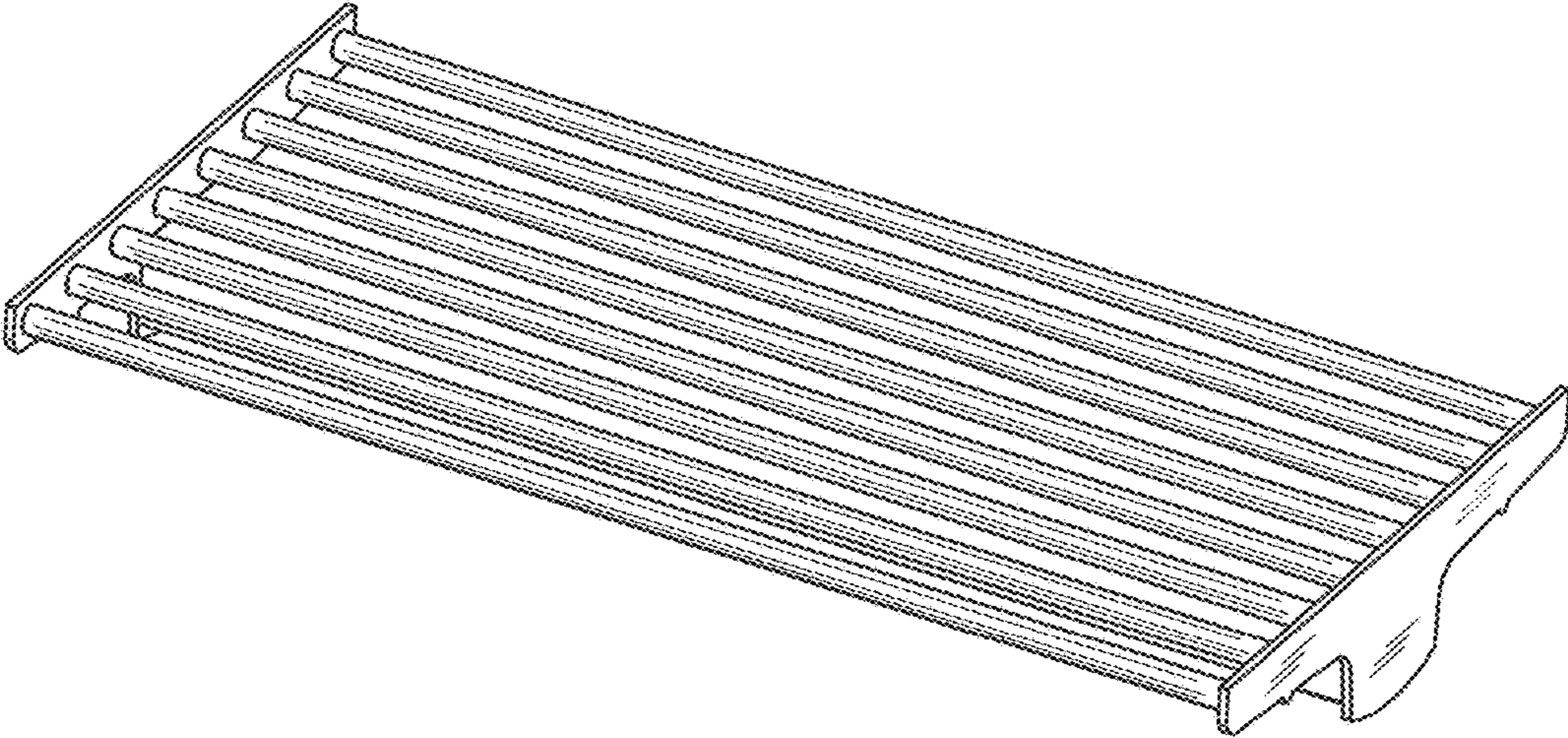


Fig. 7