



US00D822872S

(12) **United States Design Patent** (10) **Patent No.:** **US D822,872 S**
Frederiksen et al. (45) **Date of Patent:** **** Jul. 10, 2018**

(54) **LED LIGHT FIXTURE**
(71) Applicant: **LED iBond International ApS,**
Kongens Lyngby (DK)
(72) Inventors: **Lars Frederiksen,** Gentofte (DK);
Jesper Wolff, Rødovre (DK)
(73) Assignee: **LED IBOND INTERNATIONAL APS**
(DK)

(**) Term: **15 Years**

(21) Appl. No.: **29/606,872**

(22) Filed: **Jun. 8, 2017**

(30) **Foreign Application Priority Data**

Dec. 8, 2016 (EM) 03507110-0001
Dec. 8, 2016 (EM) 03507110-0002

(51) **LOC (11) Cl.** **26-04**

(52) **U.S. Cl.**
USPC **D26/76**

(58) **Field of Classification Search**
USPC D26/76, 78, 79, 80, 81, 82, 83, 85, 86,
D26/88, 90, 113, 118, 119, 120, 121, 122,
D26/138, 139, 140, 141, 142, 152
CPC F21S 2/00; F21S 4/00; F21S 4/003; F21S
4/005; F21S 4/006; F21S 4/007; F21S
4/008; F21S 6/00; F21S 8/00; F21S
8/024; F21S 8/026; F21S 8/031; F21S
8/033; F21S 8/035-8/037; F21S 8/04;
F21S 8/043; F21S 8/063
See application file for complete search history.

(56) **References Cited**

U.S. PATENT DOCUMENTS

D195,012 S * 4/1963 Hoyle D26/74
D418,936 S * 1/2000 Dunning D26/76

D580,087 S * 11/2008 Couture D26/76
D602,626 S * 10/2009 Santoro D26/76
D608,930 S * 1/2010 Castelli D26/76
D616,138 S * 5/2010 Lasthein D26/76
D626,268 S * 10/2010 Santoro D26/76
D645,194 S * 9/2011 Budike, Jr. D26/76
D662,643 S * 6/2012 Takahashi D26/76
D695,440 S * 12/2013 Kim D26/72
D707,880 S * 6/2014 Magnusson D26/120
D732,225 S * 6/2015 Grandsart D26/75
D747,539 S * 1/2016 Santoro D26/120
D766,487 S * 9/2016 Cai D26/76

* cited by examiner

Primary Examiner — George D. Kirschbaum

Assistant Examiner — Natasha Vujcic

(74) *Attorney, Agent, or Firm* — McCarter & English,
LLP

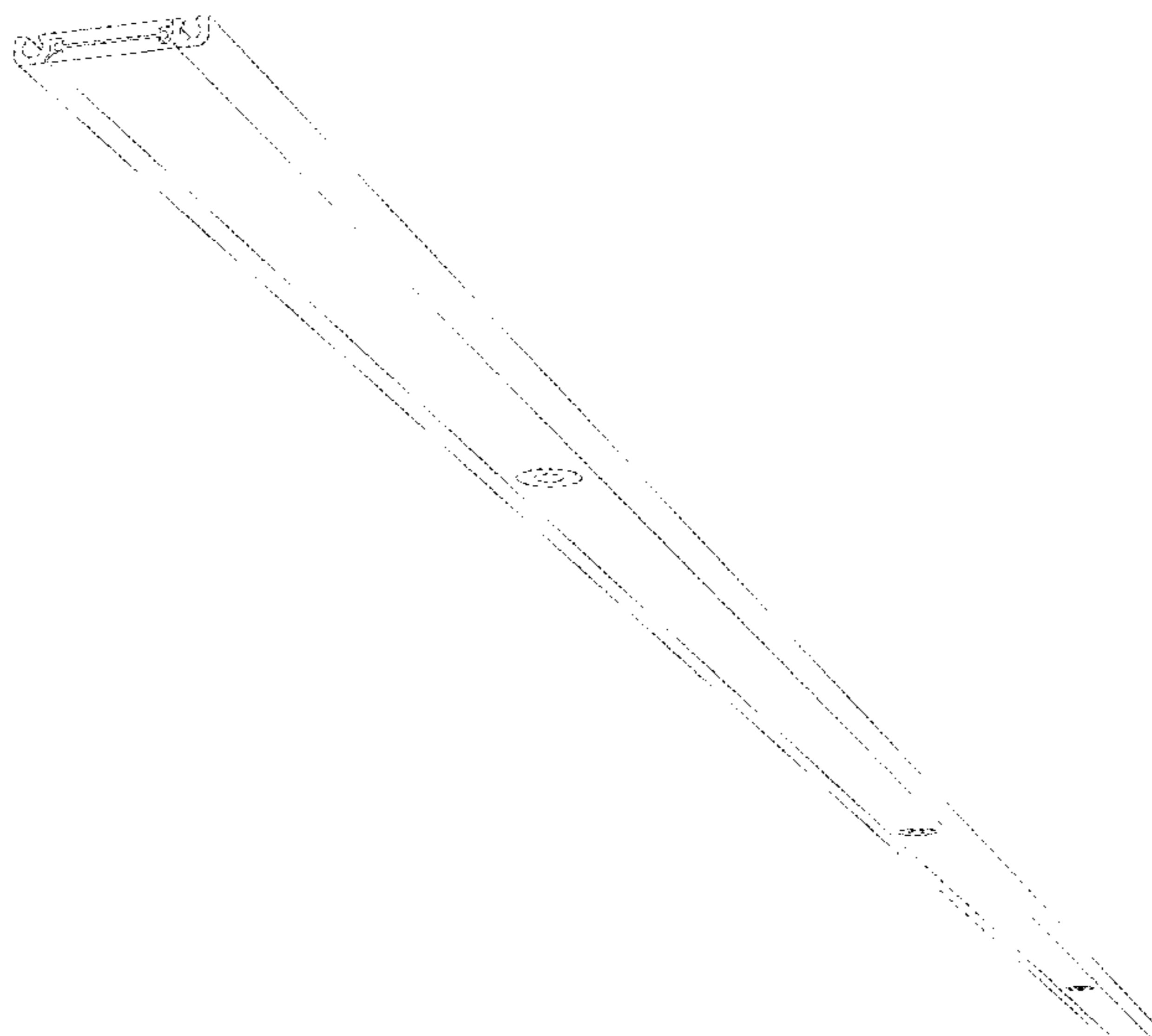
(57) **CLAIM**

The ornamental design for a LED light fixture, as shown and described.

DESCRIPTION

FIG. 1 is a bottom perspective view of a LED light fixture showing the design;
FIG. 2 is a top perspective view thereof;
FIG. 3 is a bottom plan view thereof;
FIG. 4 is a top plan view thereof;
FIG. 5 is a front elevation view thereof, the rear elevation view being a mirror image of the front;
FIG. 6 is a bottom perspective view of another embodiment of a LED light fixture showing the design;
FIG. 7 is a top perspective view thereof;
FIG. 8 is a bottom plan view thereof;
FIG. 9 is a top plan view thereof; and,
FIG. 10 is a front elevation view thereof, the rear elevation view being a mirror image of the front.
The portions of the LED light fixture shown in broken lines form no part of the claimed design.

1 Claim, 6 Drawing Sheets



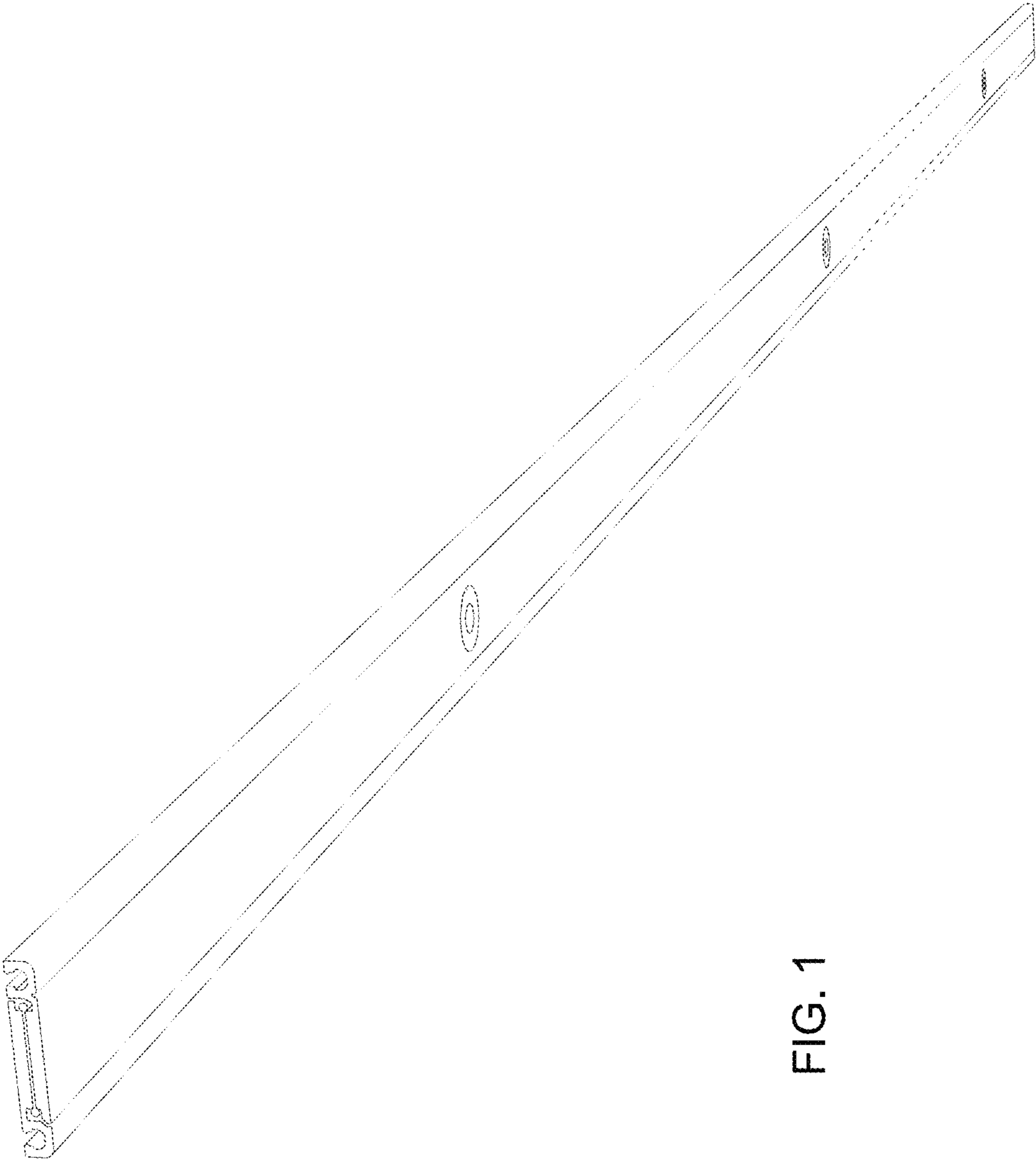


FIG. 1

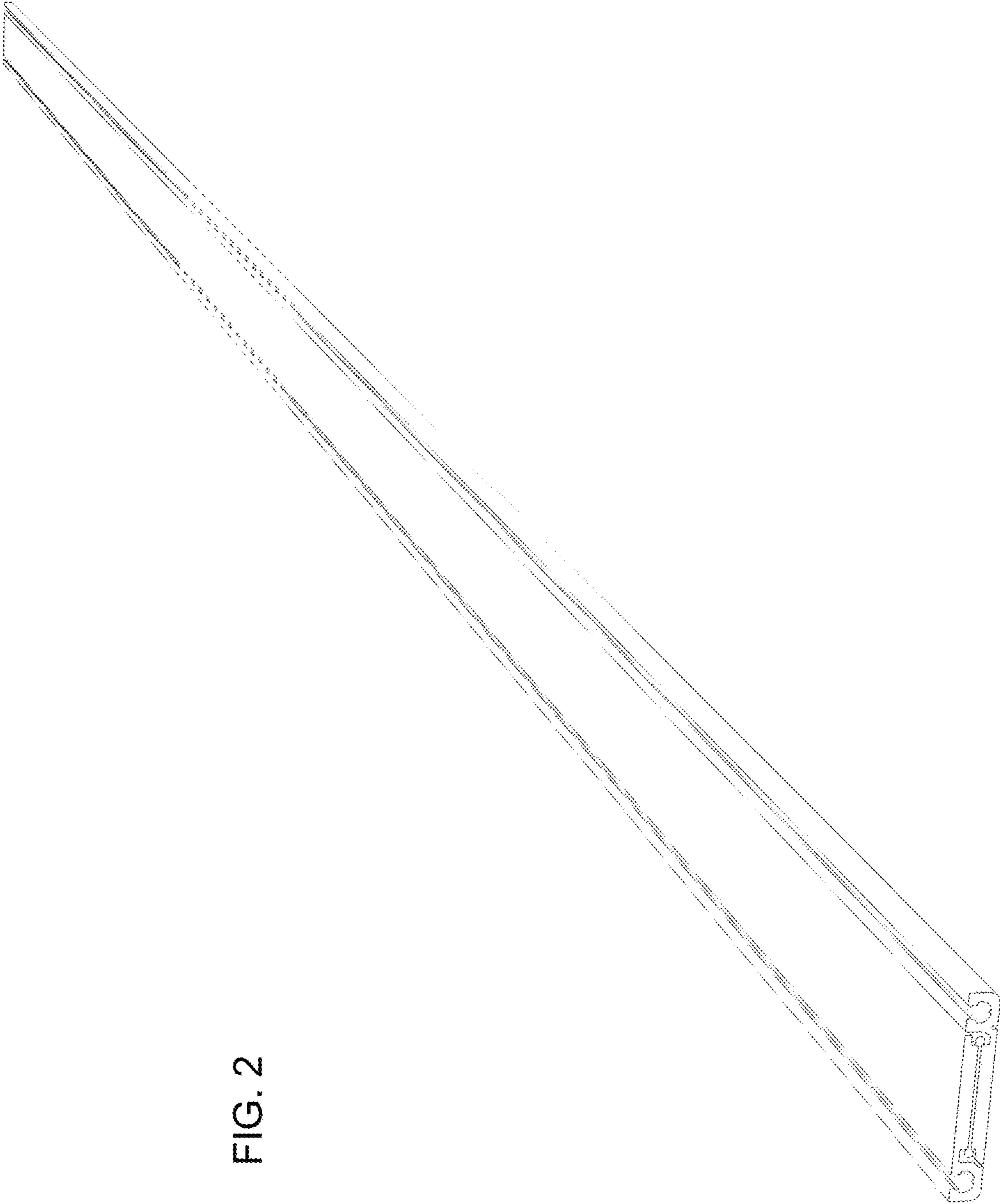


FIG. 2

FIG. 3



FIG. 4

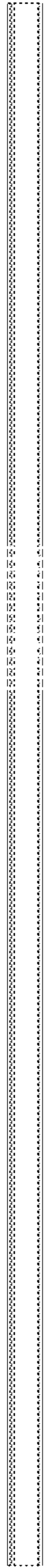
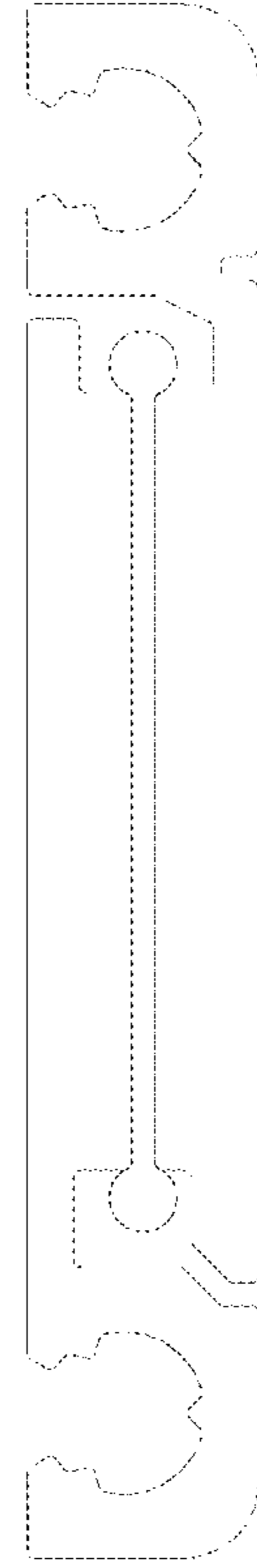


FIG. 5



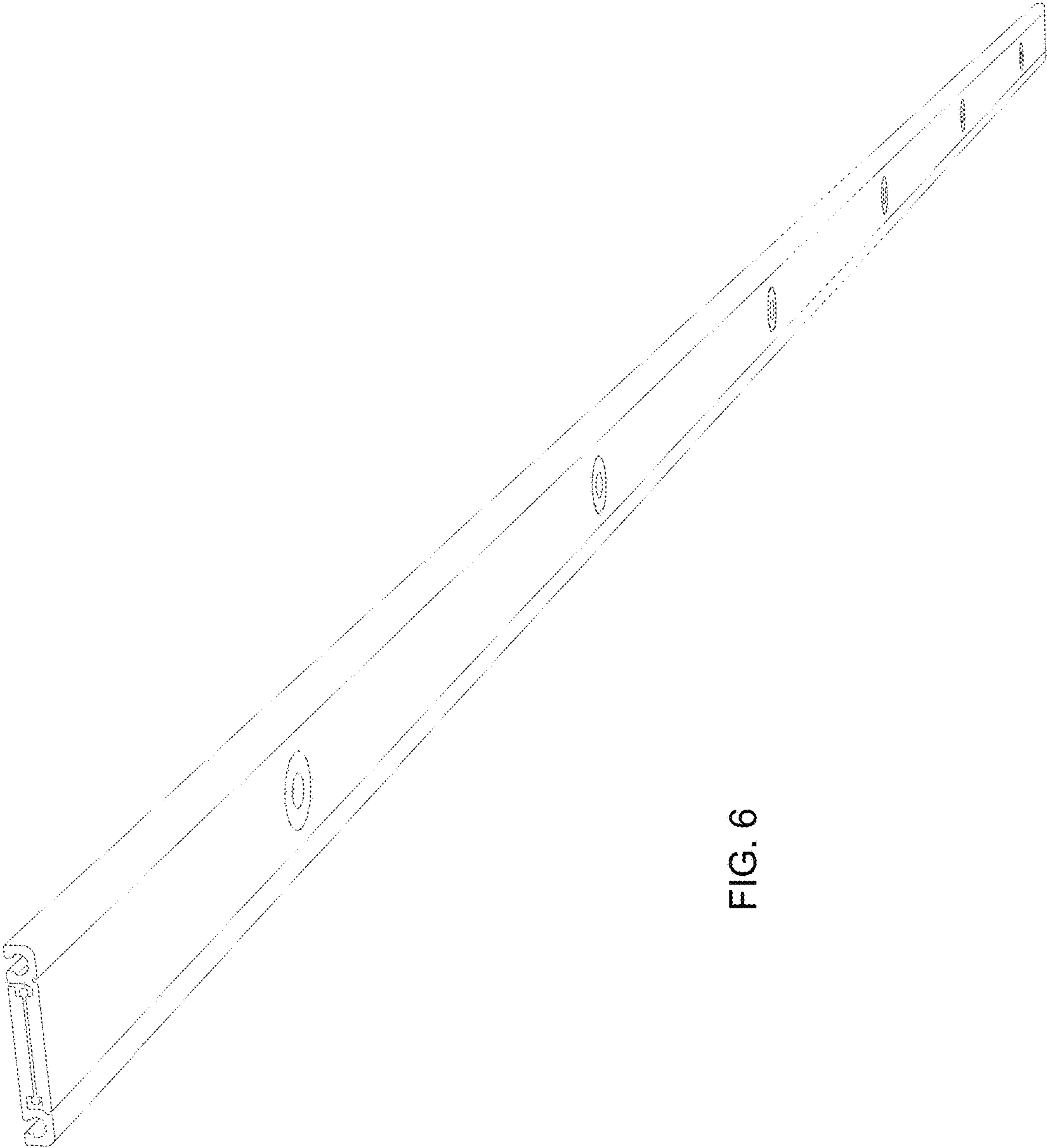


FIG. 6

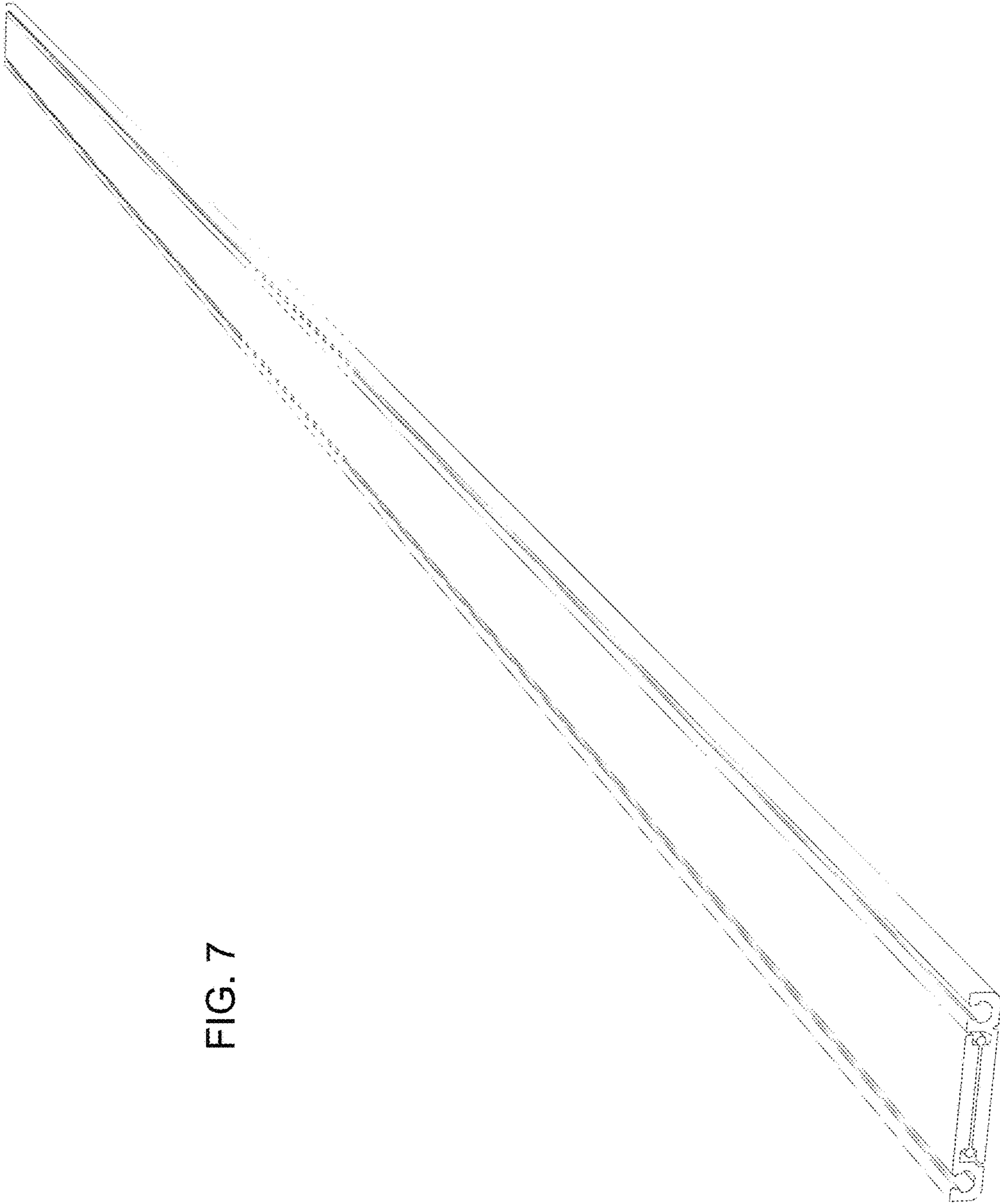


FIG. 7

FIG. 8

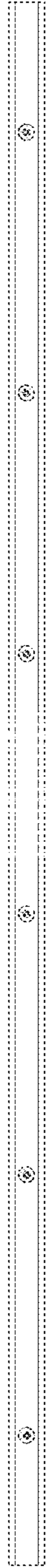


FIG. 9

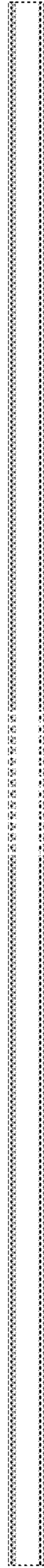


FIG. 10

