



US00D822871S

(12) **United States Design Patent**
Levy et al.

(10) **Patent No.:** **US D822,871 S**
(45) **Date of Patent:** **** Jul. 10, 2018**

- (54) **LIGHTING DEVICE**
- (71) Applicant: **PHILIPS LIGHTING HOLDING B.V.**, Eindhoven (NL)
- (72) Inventors: **Jonathan Levy**, Burlington, MA (US); **Zachary Wessner**, Burlington, MA (US); **Maria Belorukova**, Burlington, MA (US)
- (73) Assignee: **PHILIPS LIGHTING HOLDING B.V.**, Eindhoven (NL)
- (**) Term: **15 Years**
- (21) Appl. No.: **29/603,208**
- (22) Filed: **May 8, 2017**
- (51) **LOC (11) Cl.** **26-04**
- (52) **U.S. Cl.**
USPC **D26/76**
- (58) **Field of Classification Search**
USPC D26/76, 78, 79, 80, 81, 82, 83, 85, 86, D26/88, 90, 113, 118, 119, 120, 121, 122, D26/138, 139, 140, 141, 142, 152
CPC F21S 2/00; F21S 4/00; F21S 4/003; F21S 4/005; F21S 4/006; F21S 4/007; F21S 4/008; F21S 6/00; F21S 8/00; F21S 8/024; F21S 8/026; F21S 8/031; F21S 8/033; F21S 8/035–8/037; F21S 8/04; F21S 8/043; F21S 8/063
See application file for complete search history.

- D580,583 S * 11/2008 Pfund D26/76
- D602,189 S * 10/2009 Zambelli D26/76
- D636,504 S * 4/2011 Duster D26/3
- D645,193 S * 9/2011 Chung D26/75
- D662,245 S * 6/2012 Steffy D26/75
- D663,065 S * 7/2012 Beghelli D26/76
- D667,157 S * 9/2012 Ferguson D26/76
- D695,443 S * 12/2013 Kaule D26/76
- D749,257 S * 2/2016 Arndt D26/76
- D774,682 S * 12/2016 Chen D26/85
- D803,454 S * 11/2017 Lockart D26/76

* cited by examiner

Primary Examiner — George D. Kirschbaum
Assistant Examiner — Natasha Vujcic

(57) **CLAIM**

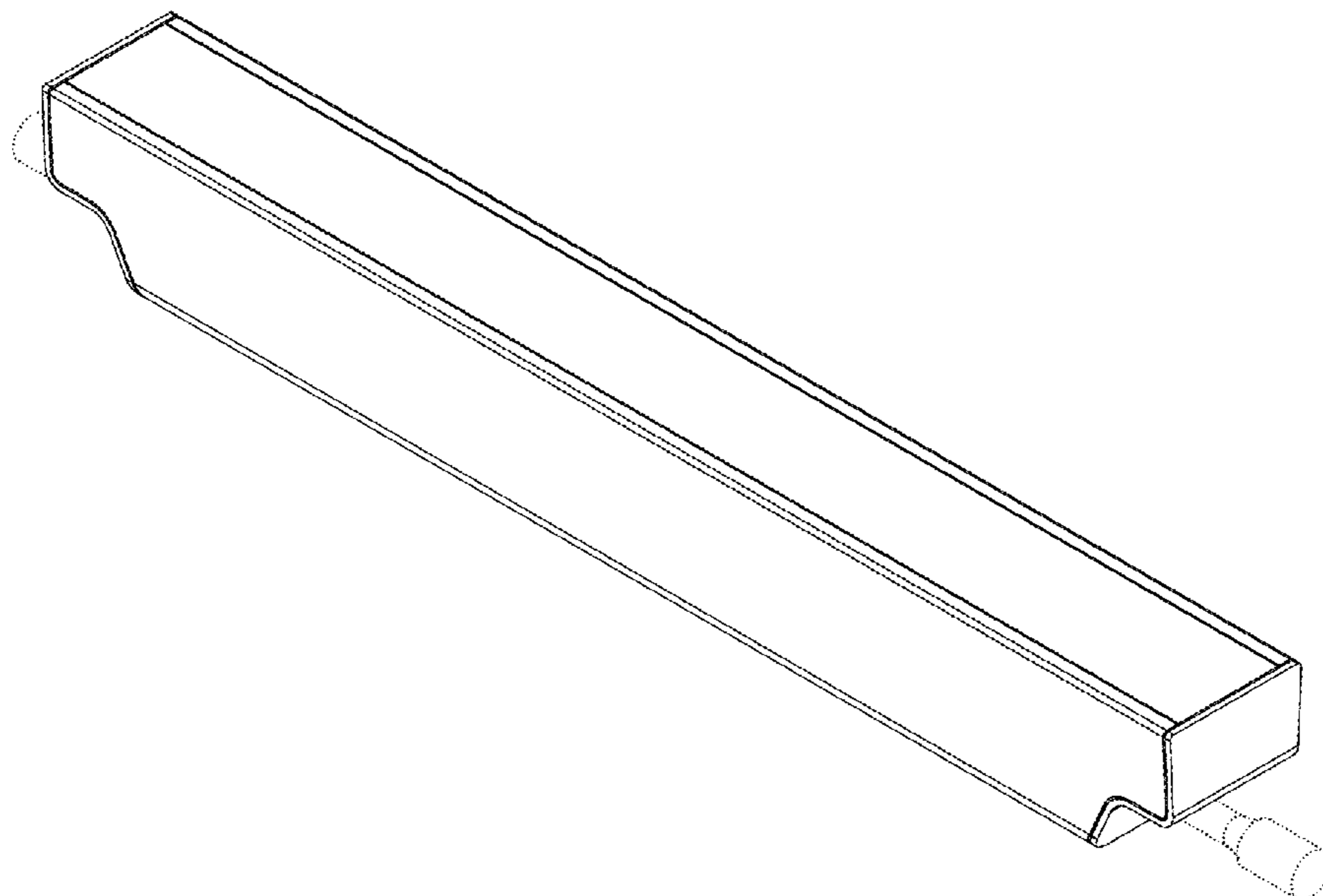
The ornamental design of a lighting device, as shown and described.

DESCRIPTION

FIG. 1 is a perspective view of a lighting device, illustrating the present invention;
 FIG. 2 is a left side elevation view of the lighting device, illustrating the present invention;
 FIG. 3 is a right side elevation view of the lighting device, illustrating the present invention;
 FIG. 4 is a front view of the lighting device, illustrating the present invention;
 FIG. 5 is a rear view of the lighting device, illustrating the present invention;
 FIG. 6 is a top view of the lighting device, illustrating the present invention; and,
 FIG. 7 is a bottom view of the lighting device, illustrating the present invention.
 The broken lines in the drawings illustrate portions of the lighting device which forms no part of the claimed design.

1 Claim, 7 Drawing Sheets

- (56) **References Cited**
U.S. PATENT DOCUMENTS
2,474,308 A * 6/1949 Franck F21S 8/04
362/224
D476,753 S * 7/2003 Chelf D26/3



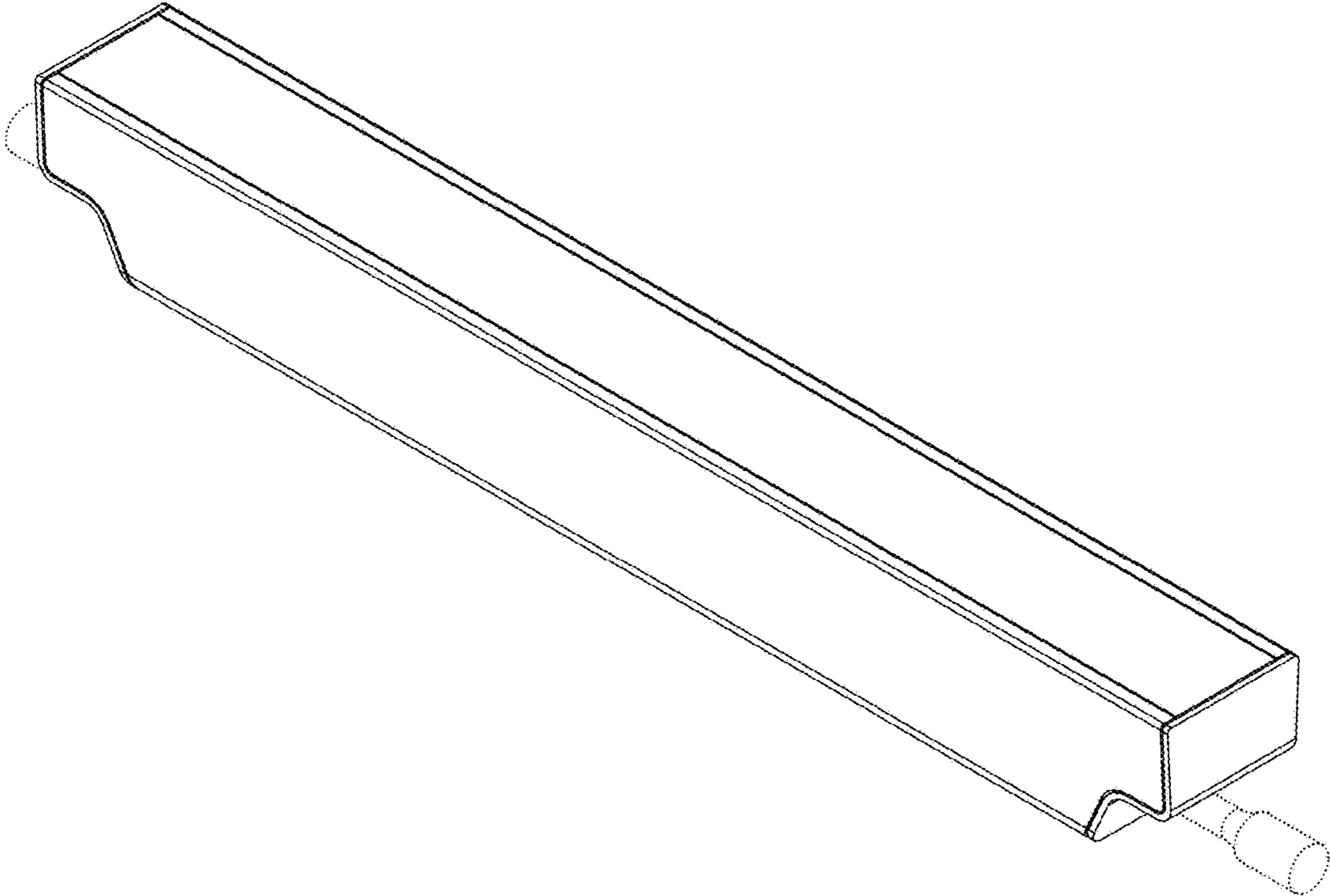


Fig. 1

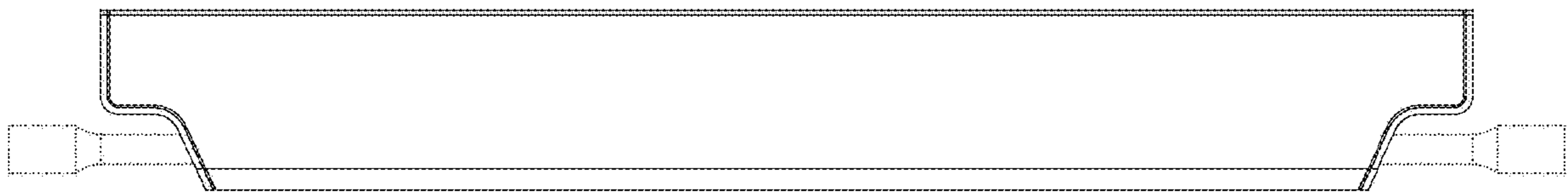


Fig. 2

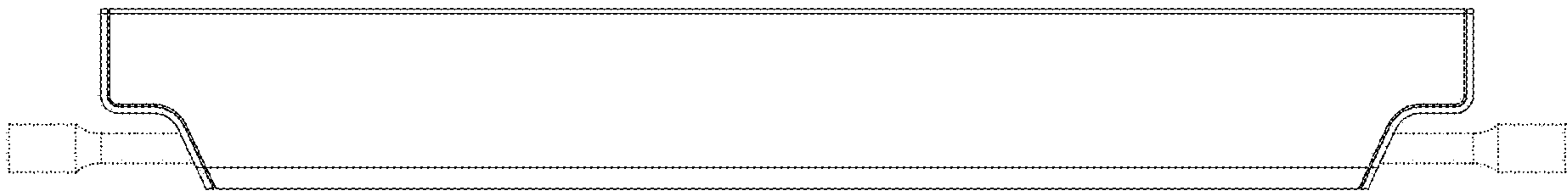


Fig. 3

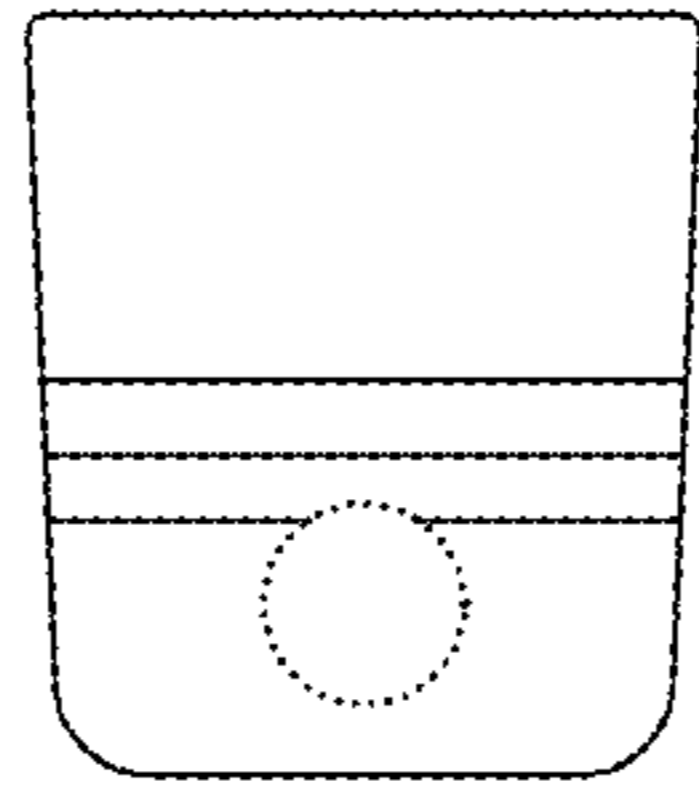


Fig. 4

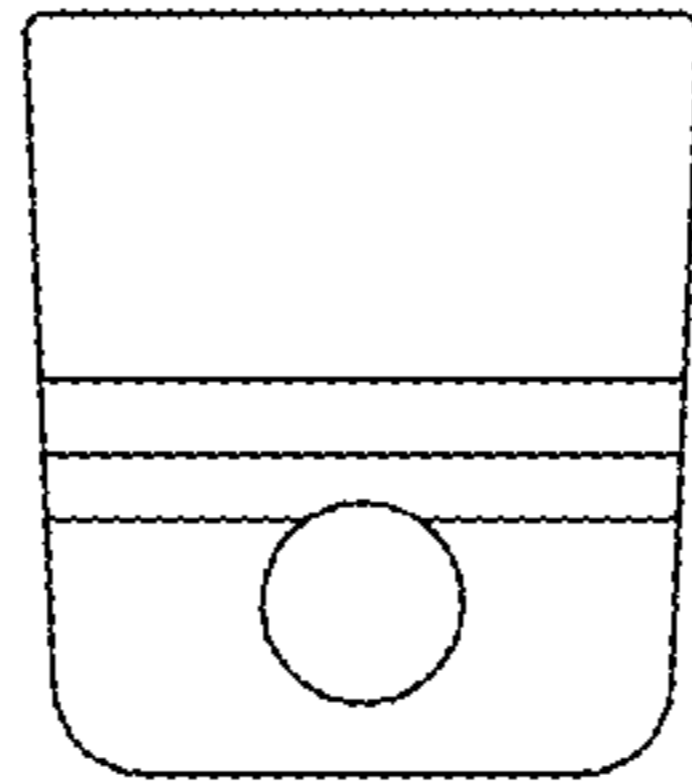


Fig. 5

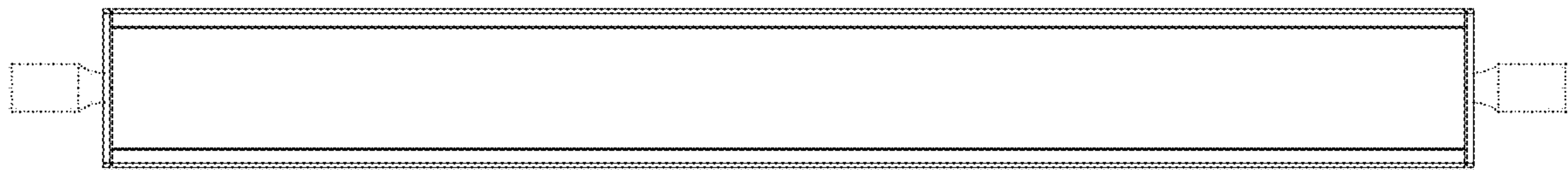


Fig. 6

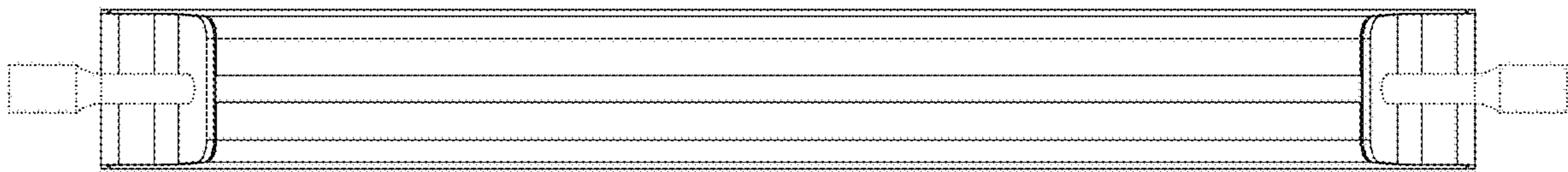


Fig. 7