



US00D822869S

(12) **United States Design Patent** (10) **Patent No.:** **US D822,869 S**
Akinrele et al. (45) **Date of Patent:** **** Jul. 10, 2018**

(54) **PUBLIC LIGHTING FIXTURE**

(71) Applicant: **PHILIPS LIGHTING HOLDING B.V.**, Eindhoven (NL)

(72) Inventors: **Dylan Akinrele**, New York, NY (US); **Matthew Pressel**, Waynesville, NC (US)

(73) Assignee: **PHILIPS LIGHTING HOLDING B.V.**, Eindhoven (NL)

(**) Term: **15 Years**

(21) Appl. No.: **35/501,307**

(22) Filed: **Apr. 11, 2016**

(80) **Hague Agreement Data**

Int. Filing Date: **Apr. 11, 2016**
 Int. Reg. No.: **DM/091655**
 Int. Reg. Date: **Apr. 11, 2016**
 Int. Reg. Pub. Date: **Jul. 29, 2016**

(30) **Foreign Application Priority Data**

Oct. 15, 2015 (EM) 002823682-0001

(51) **LOC (11) Cl.** **26-05**

(52) **U.S. Cl.**
 USPC **D26/71**

(58) **Field of Classification Search**
 USPC D26/61-67, 71, 72, 85, 87, 118, 128, D26/131, 135
 CPC F21W 2131/103; F21W 2131/10; F21W 2131/105; F21S 8/086; F21S 13/10; F21S 13/04; F23D 3/24; F23D 3/32; F23D 14/28; F23D 14/38; F23D 3/18; F23D 3/20; F23D 3/26; F23D 3/28; F23D 3/30
 See application file for complete search history.

(56) **References Cited**

U.S. PATENT DOCUMENTS

| | | | | | |
|-----------|------|---------|--------------|-------|-----------------------|
| 5,025,355 | A * | 6/1991 | Harwood | | F21S 8/06 362/147 |
| D385,642 | S * | 10/1997 | Brohard | | D26/71 |
| D479,622 | S * | 9/2003 | Huang | | D26/118 |
| 7,108,401 | B1 * | 9/2006 | Kane | | F21V 11/18 362/281 |
| D565,227 | S * | 3/2008 | Haugaard | | D26/71 |
| D679,048 | S * | 3/2013 | White | | D26/128 |
| D697,657 | S * | 1/2014 | Meise | | D26/87 |
| D697,658 | S * | 1/2014 | Meise | | D26/87 |
| D748,838 | S * | 2/2016 | Brynjolfsson | | D26/63 |
| D768,898 | S * | 10/2016 | Crone | | D26/63 |

* cited by examiner

Primary Examiner — George D. Kirschbaum
Assistant Examiner — Jennifer L. Watkins

(57) **CLAIM**

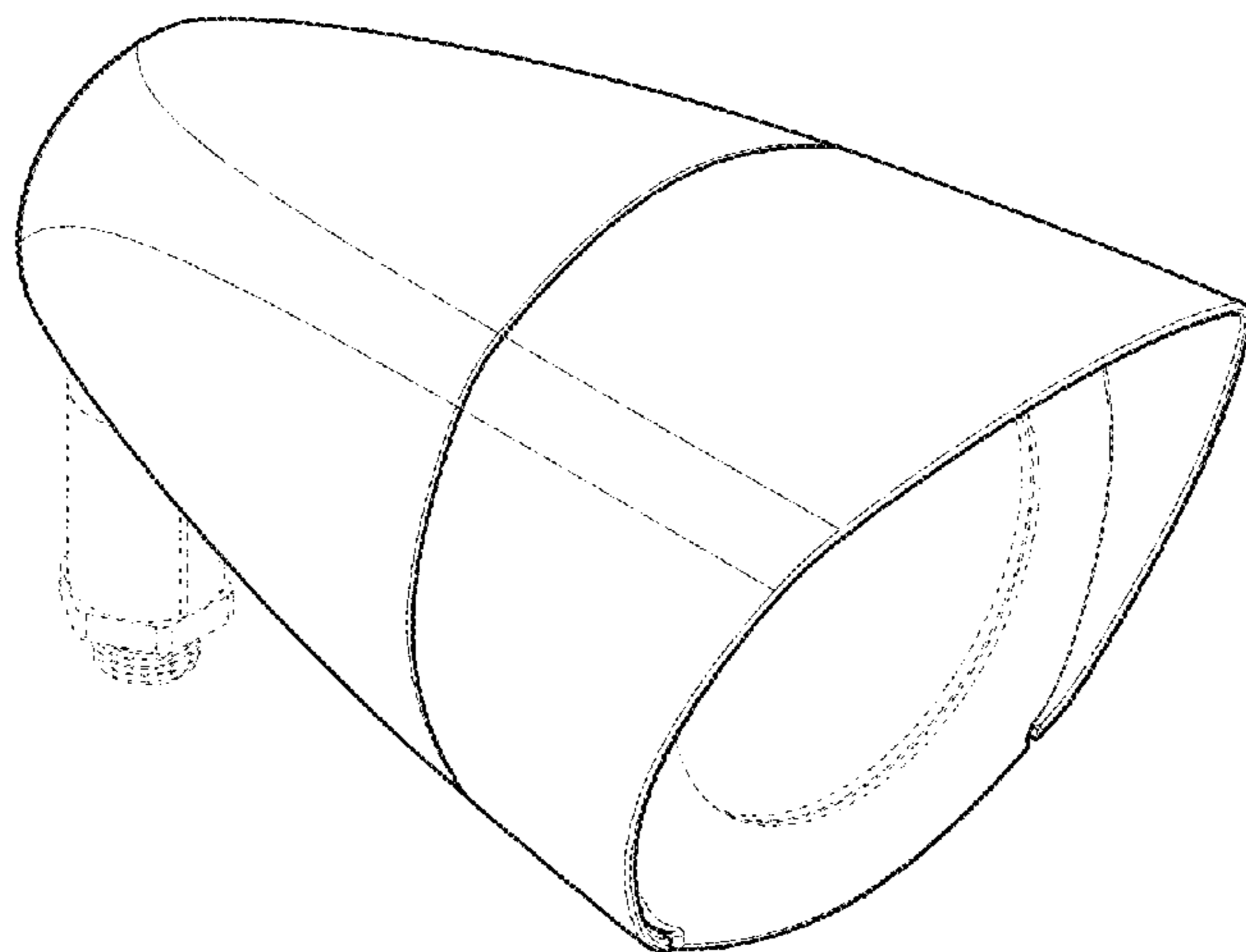
The ornamental design for a public lighting fixture, as shown and described.

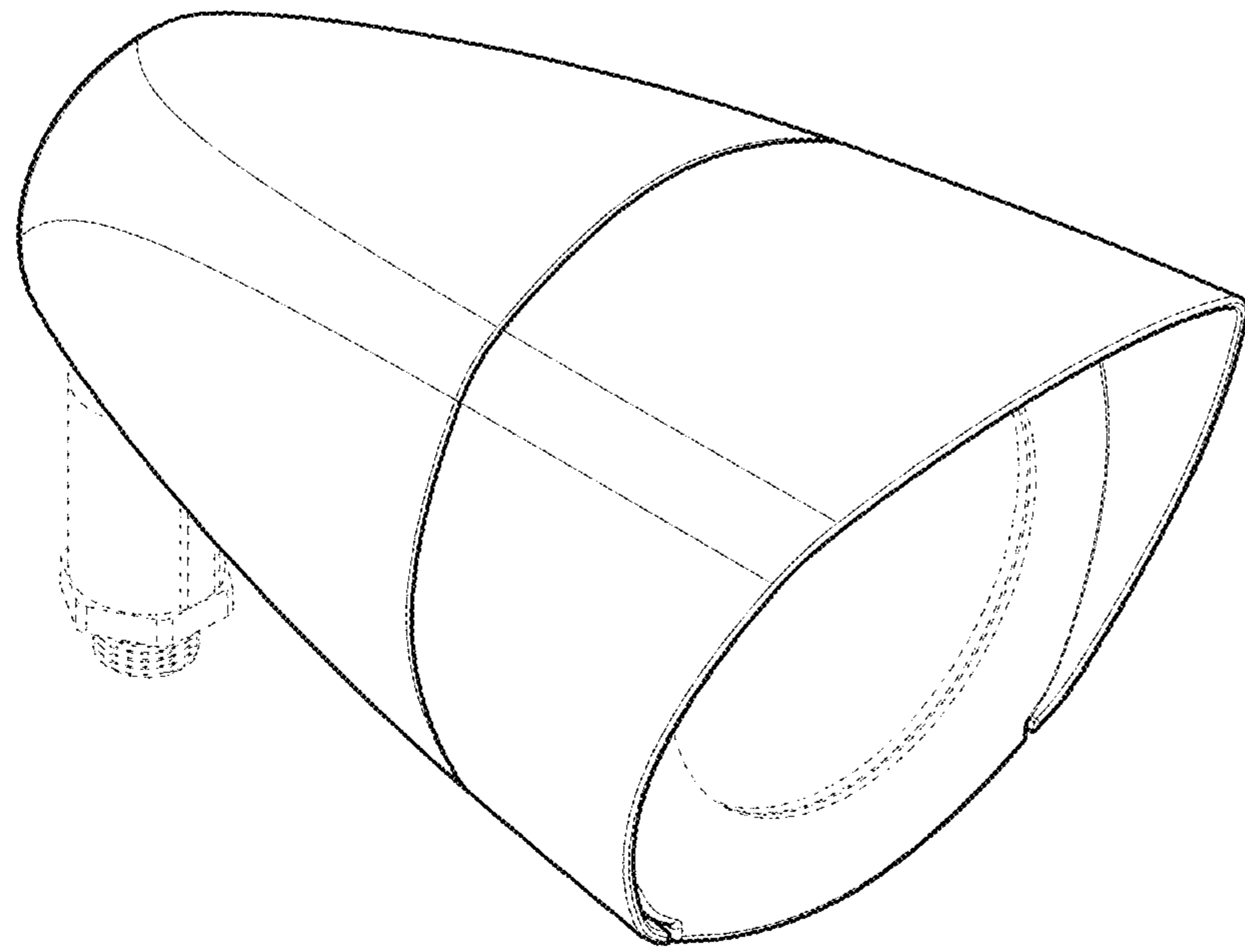
DESCRIPTION

1. Public lighting fixture
 1.1 is a perspective view of a public lighting fixture showing our new design;
 1.2 is a front side elevational view thereof;
 1.3 is a back elevational view thereof;
 1.4 is a left side elevational view thereof;
 1.5 is a right side elevational view thereof;
 1.6 is a top plan view thereof;
 1.7 is a bottom plan view thereof.

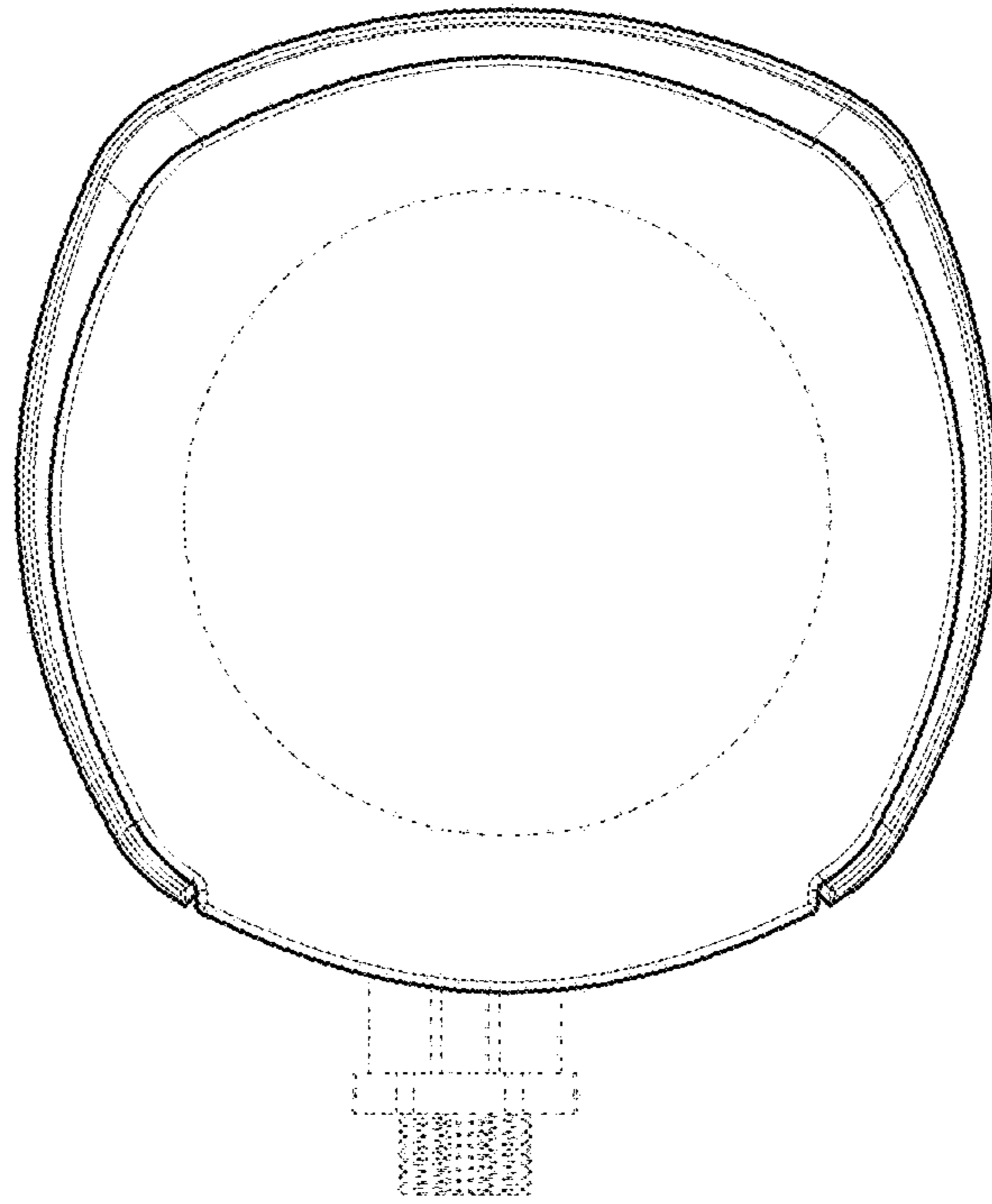
The broken lines in the drawings are for the purpose of illustrating portions of the public lighting fixture and form no part of the claim.

1 Claim, 5 Drawing Sheets

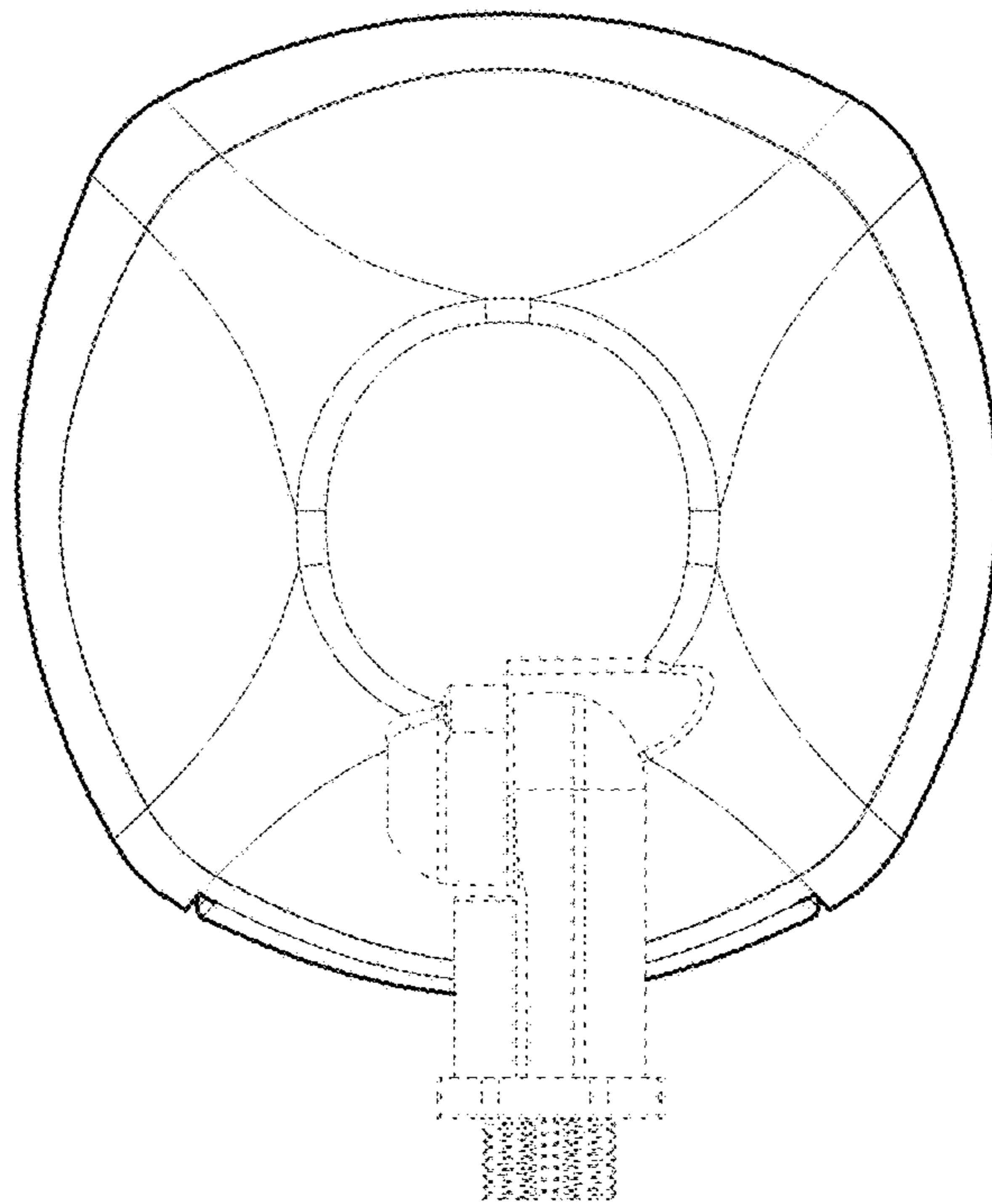




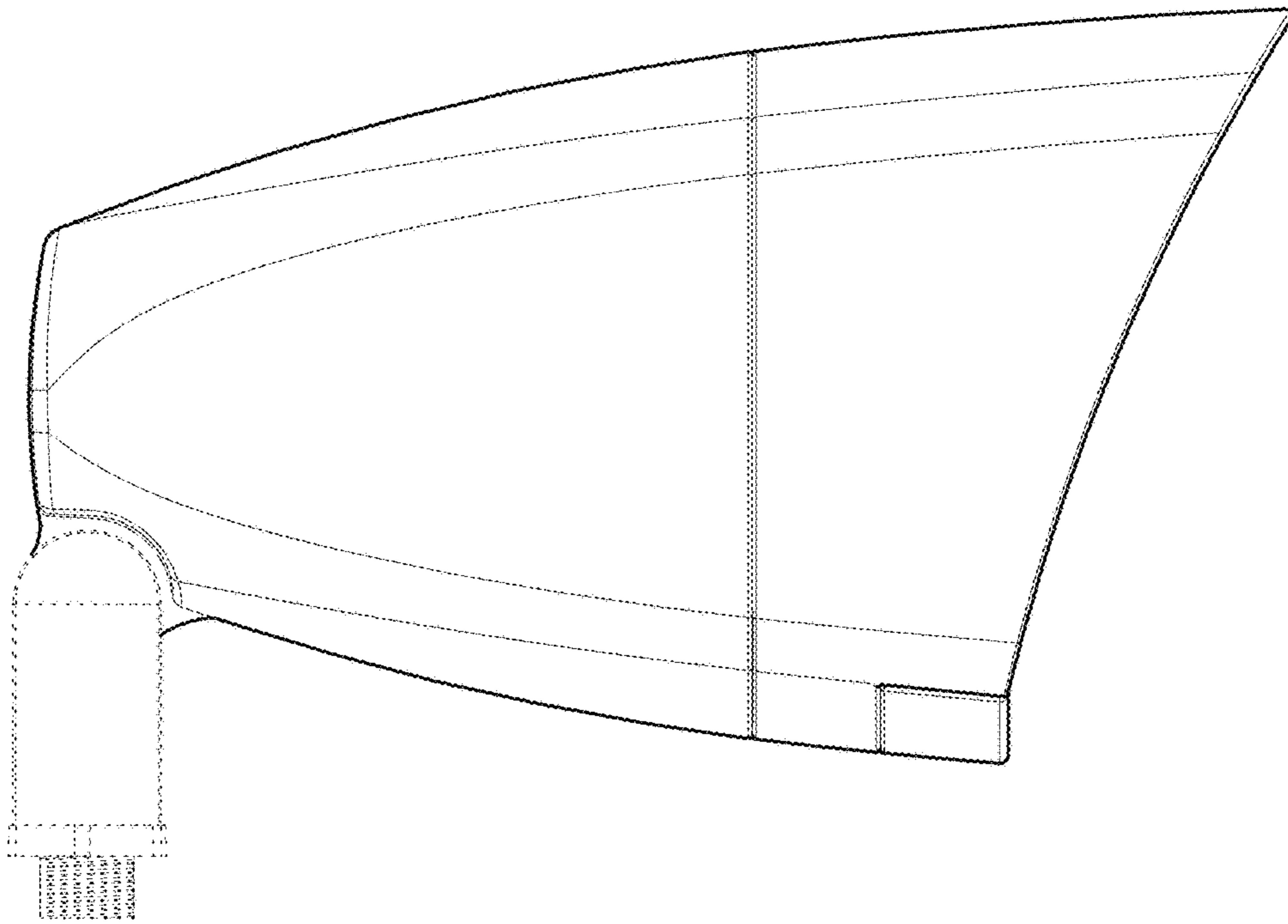
1.1



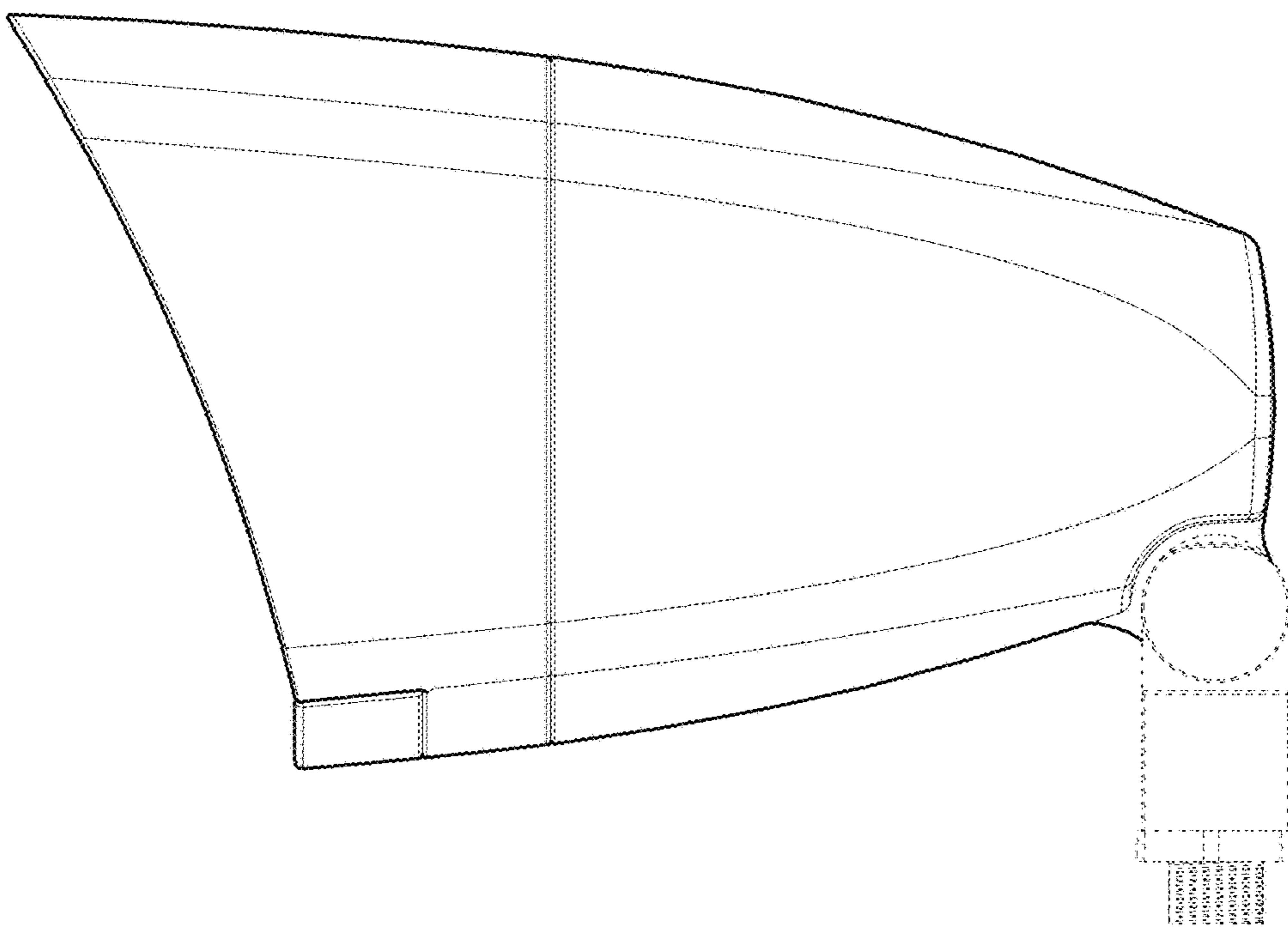
1.2



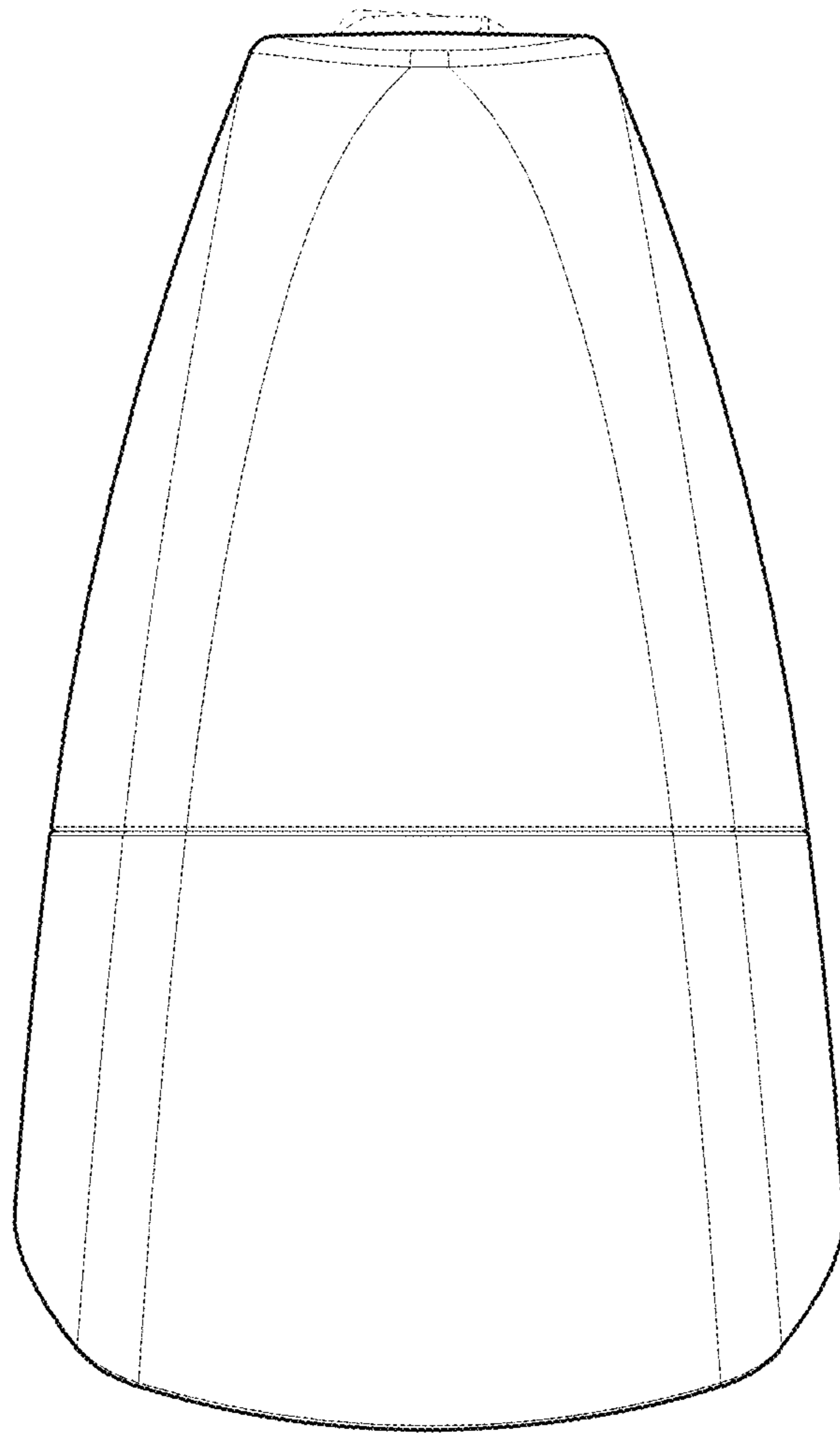
1.3



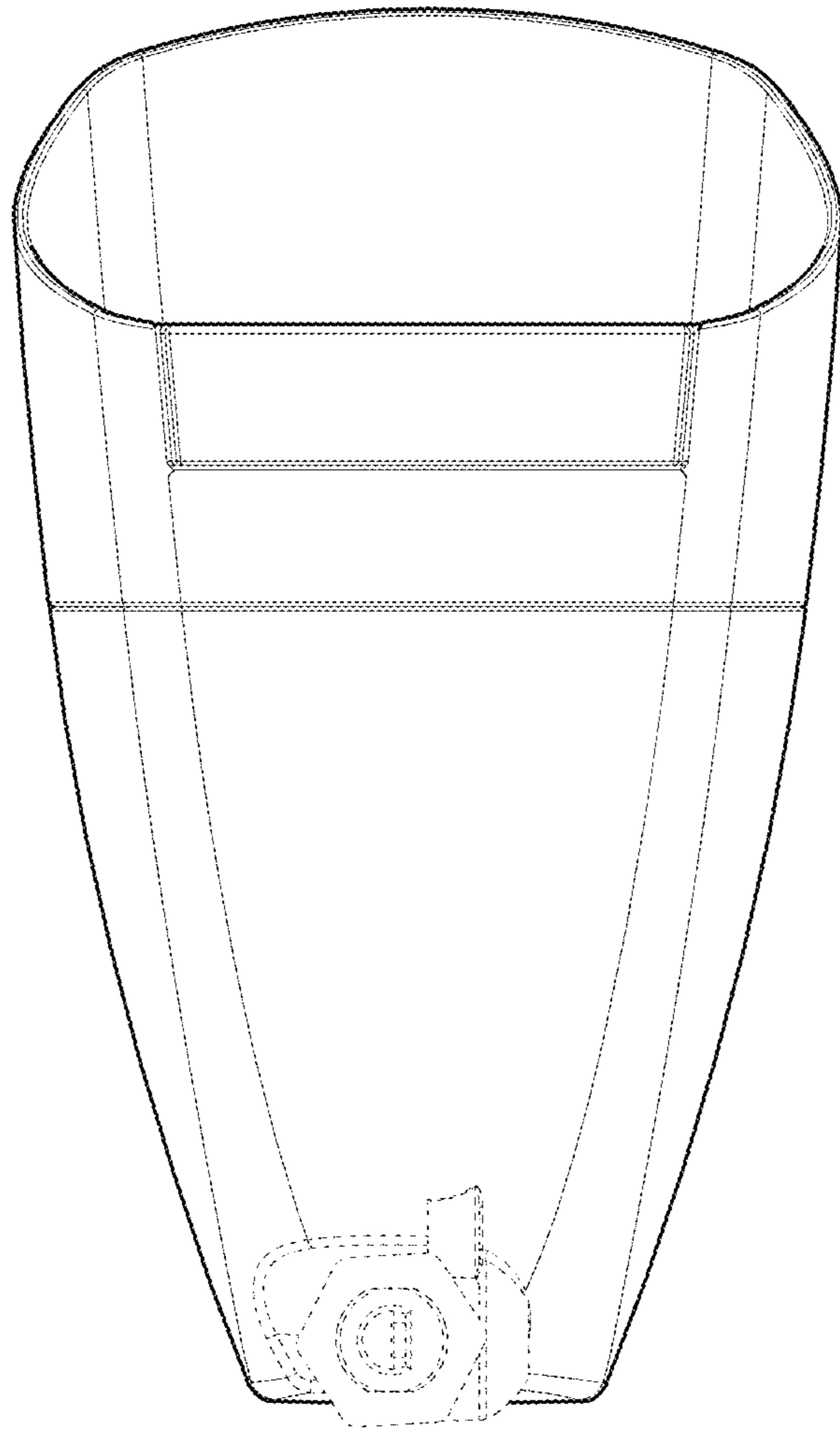
1.4



1.5



1.6



1.7