



US00D822867S

(12) **United States Design Patent**
Chen

(10) **Patent No.:** **US D822,867 S**
(45) **Date of Patent:** **** Jul. 10, 2018**

(54) **LANDSCAPE LIGHT**

(71) Applicant: **Chia-Teh Chen**, Taipei (TW)

(72) Inventor: **Chia-Teh Chen**, Taipei (TW)

(**) Term: **15 Years**

(21) Appl. No.: **29/618,237**

(22) Filed: **Sep. 20, 2017**

(51) **LOC (11) Cl.** **26-05**

(52) **U.S. Cl.**
USPC **D26/67**

(58) **Field of Classification Search**
USPC D26/67, 68, 85, 119, 129, 131, 132
CPC F21S 8/032; F21S 8/081; F21S 9/03; F21S
9/037; F21W 2131/109; F21W 2111/02;
F21W 2111/023; F21W 2111/06; F21W
21/0824

See application file for complete search history.

(56) **References Cited**

U.S. PATENT DOCUMENTS

D71,141 S *	9/1926	Friedman	D26/87
D150,527 S *	8/1948	Wright	D26/119
D468,471 S *	1/2003	Chen	D26/67
D477,683 S *	7/2003	Cheong	D26/67
D517,716 S *	3/2006	Bucher	D26/67
D638,971 S *	5/2011	Chen	D26/67
D639,988 S *	6/2011	Chen	D26/67

OTHER PUBLICATIONS

Kichler Mini-Pendant Light with White Glass, Model No. 42466WMZ. Found at destinationlighting.com, visited Mar. 19, 2018. (Year: 2018).*

Kichler Mini-Pendant Light with White Glass, Model No. 42467WMZ. Found at destinationlighting.com, visited Mar. 19, 2018. (Year: 2018).*

* cited by examiner

Primary Examiner — Clare E Heflin

(74) *Attorney, Agent, or Firm* — Li & Cai Intellectual Property (USA) Office

(57) **CLAIM**

The ornamental design for a “landscape light”, as shown and described.

DESCRIPTION

FIG. 1 is a top perspective view of a landscape light showing my new design;

FIG. 2 is a front elevation view thereof;

FIG. 3 is a rear elevation view thereof;

FIG. 4 is a left side elevation view thereof;

FIG. 5 is a right side elevation view thereof;

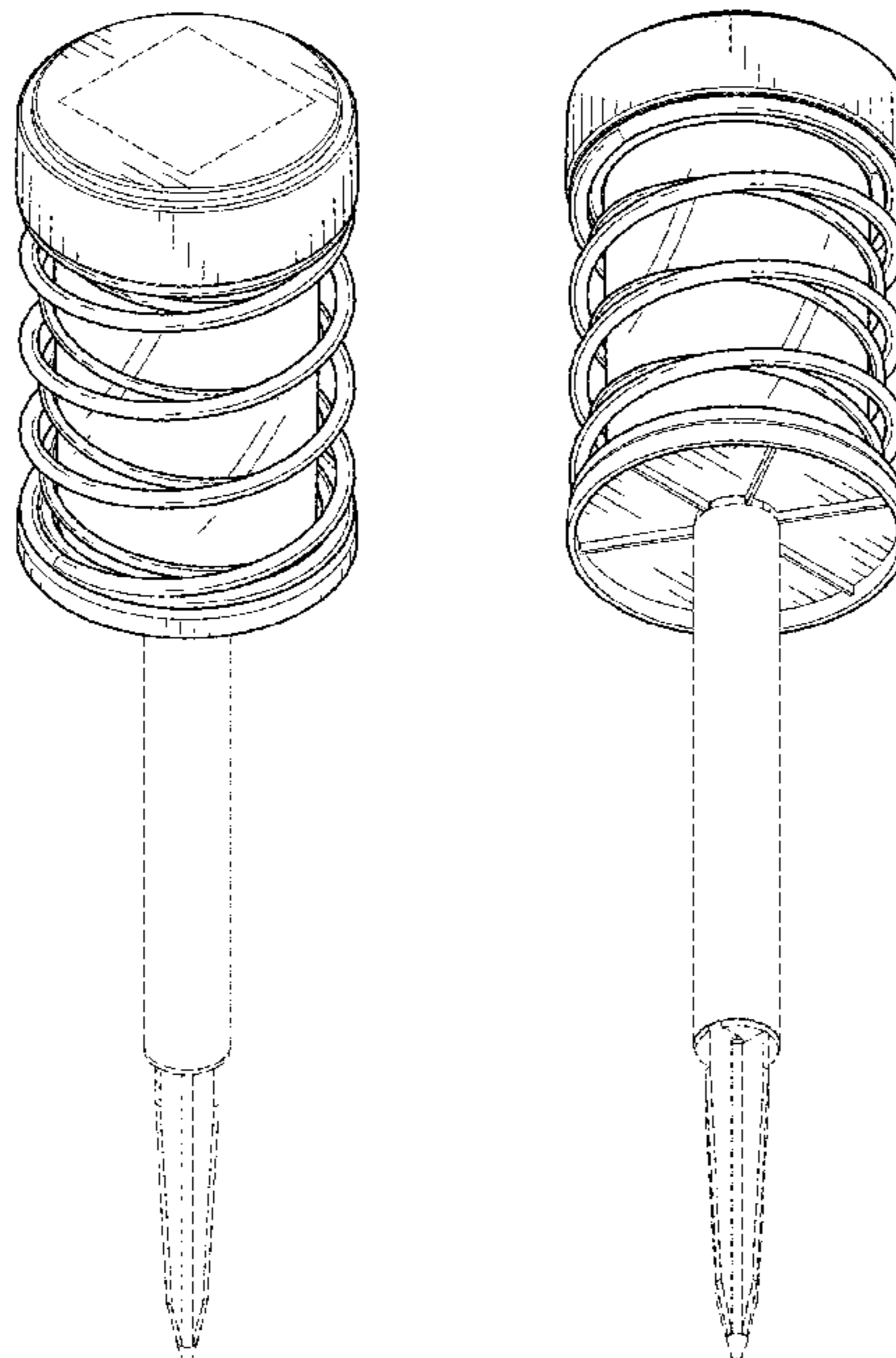
FIG. 6 is a top plan view thereof;

FIG. 7 is a bottom plan view thereof; and,

FIG. 8 is a bottom perspective view thereof.

The broken lines shown represent unclaimed subject matter and form no part of the claimed design.

1 Claim, 5 Drawing Sheets



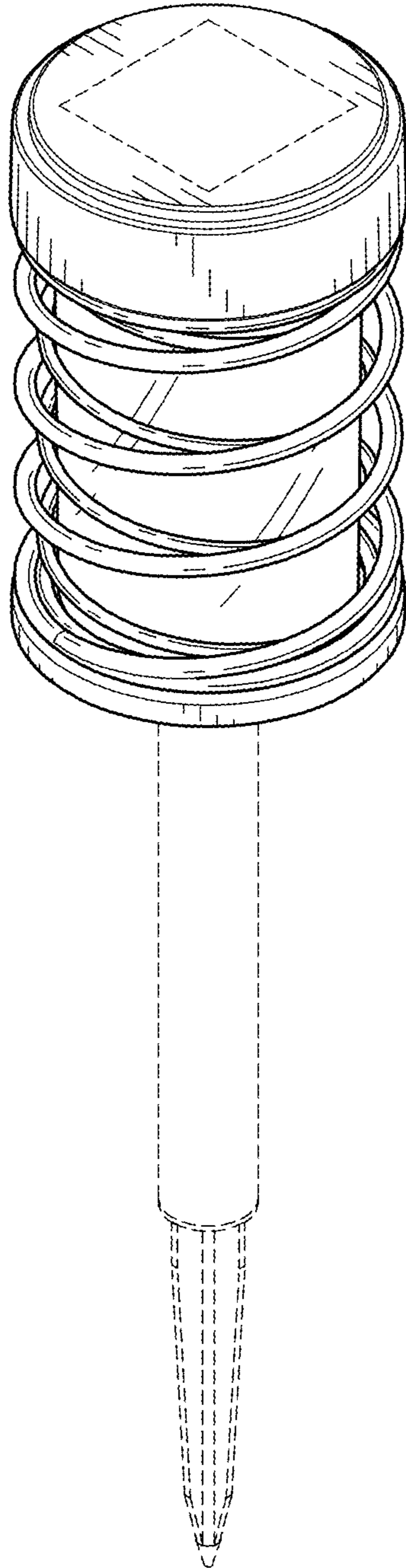


FIG. 1

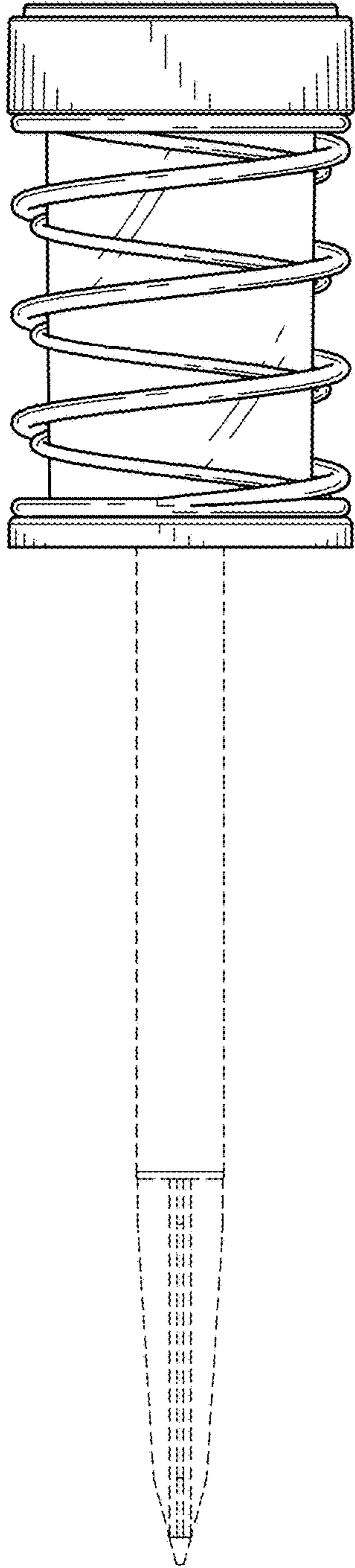


FIG. 2

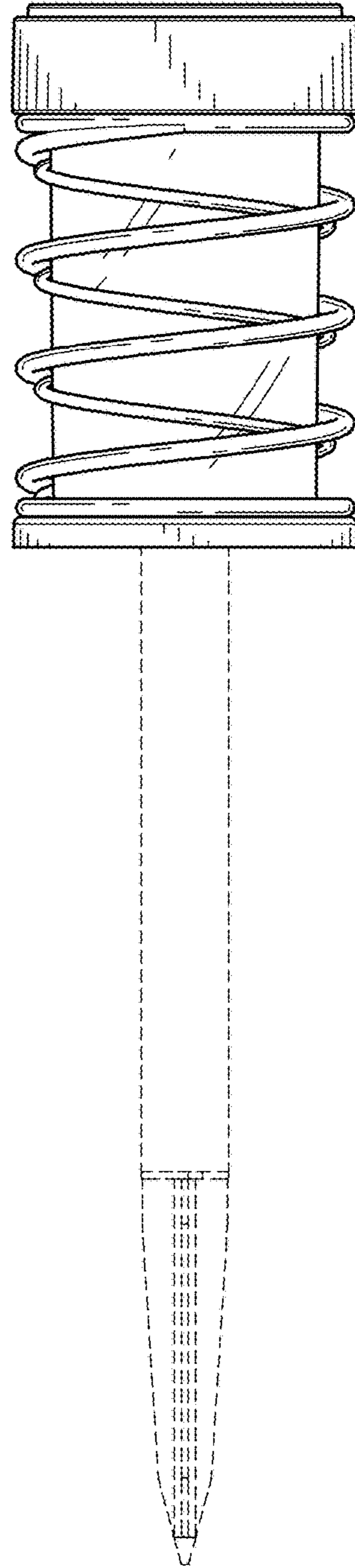


FIG. 3

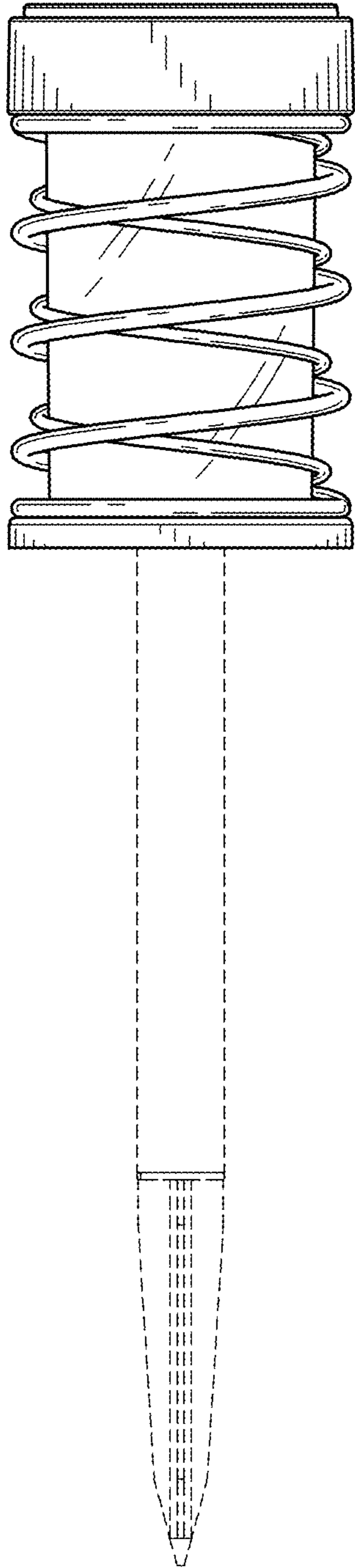


FIG. 4

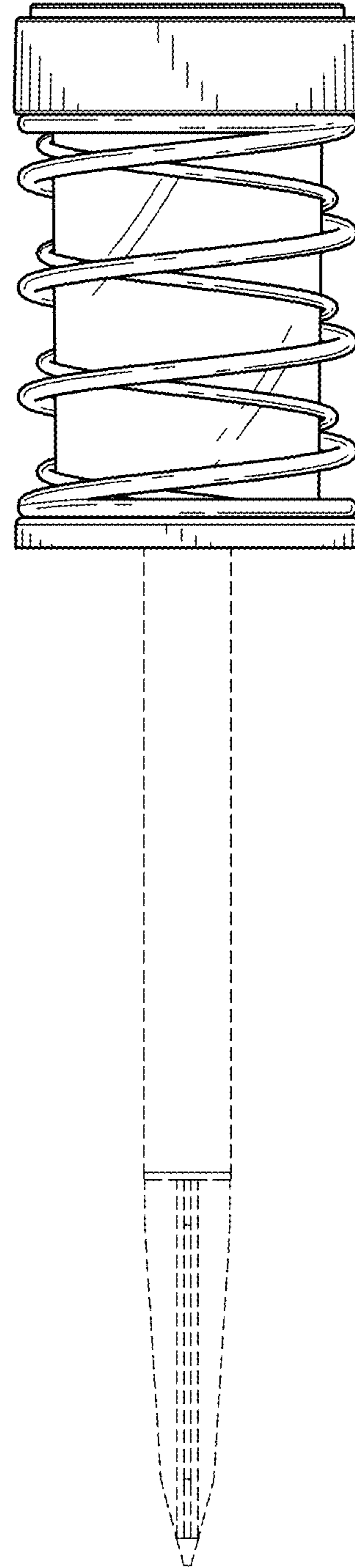


FIG. 5

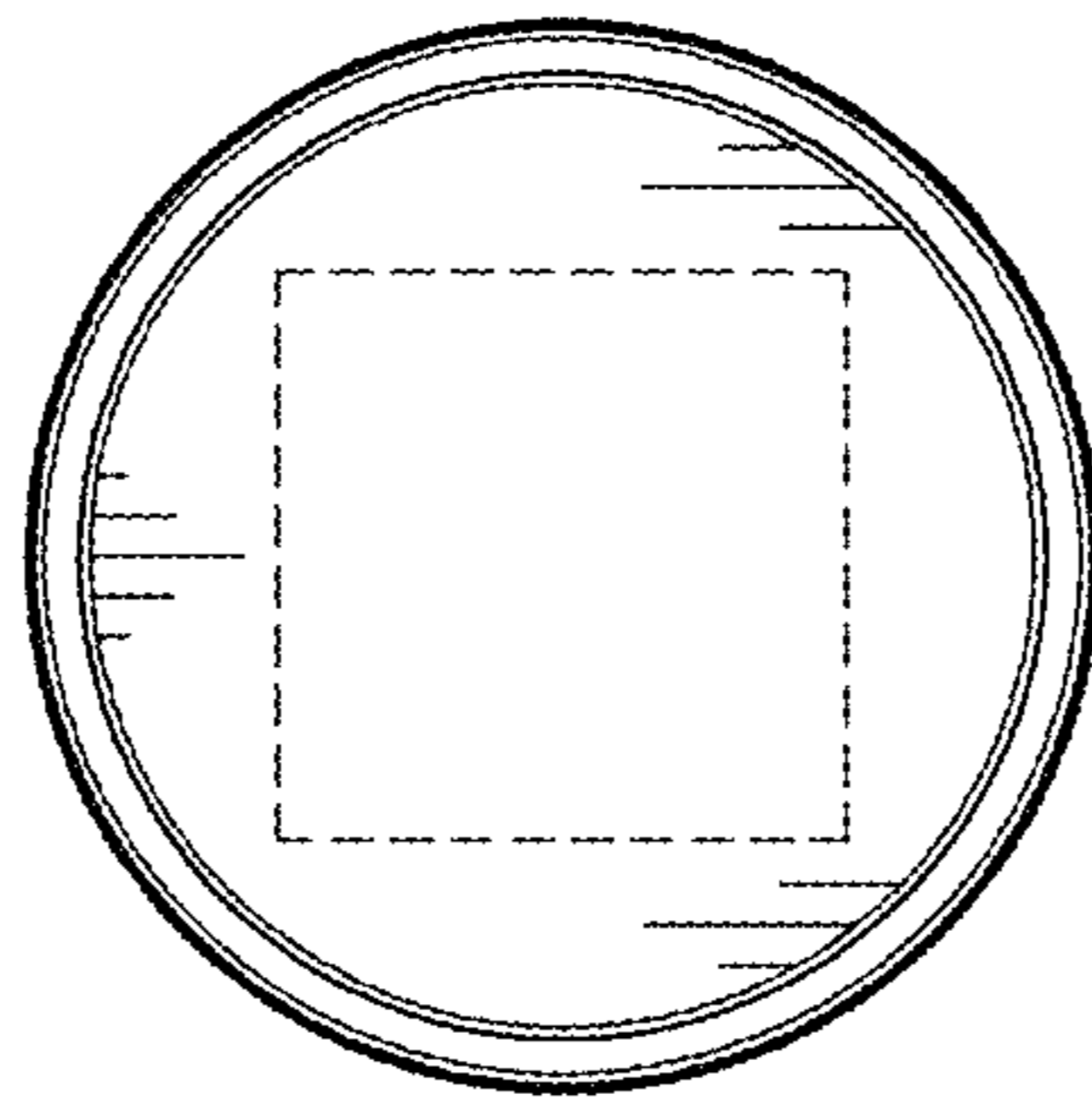


FIG. 6

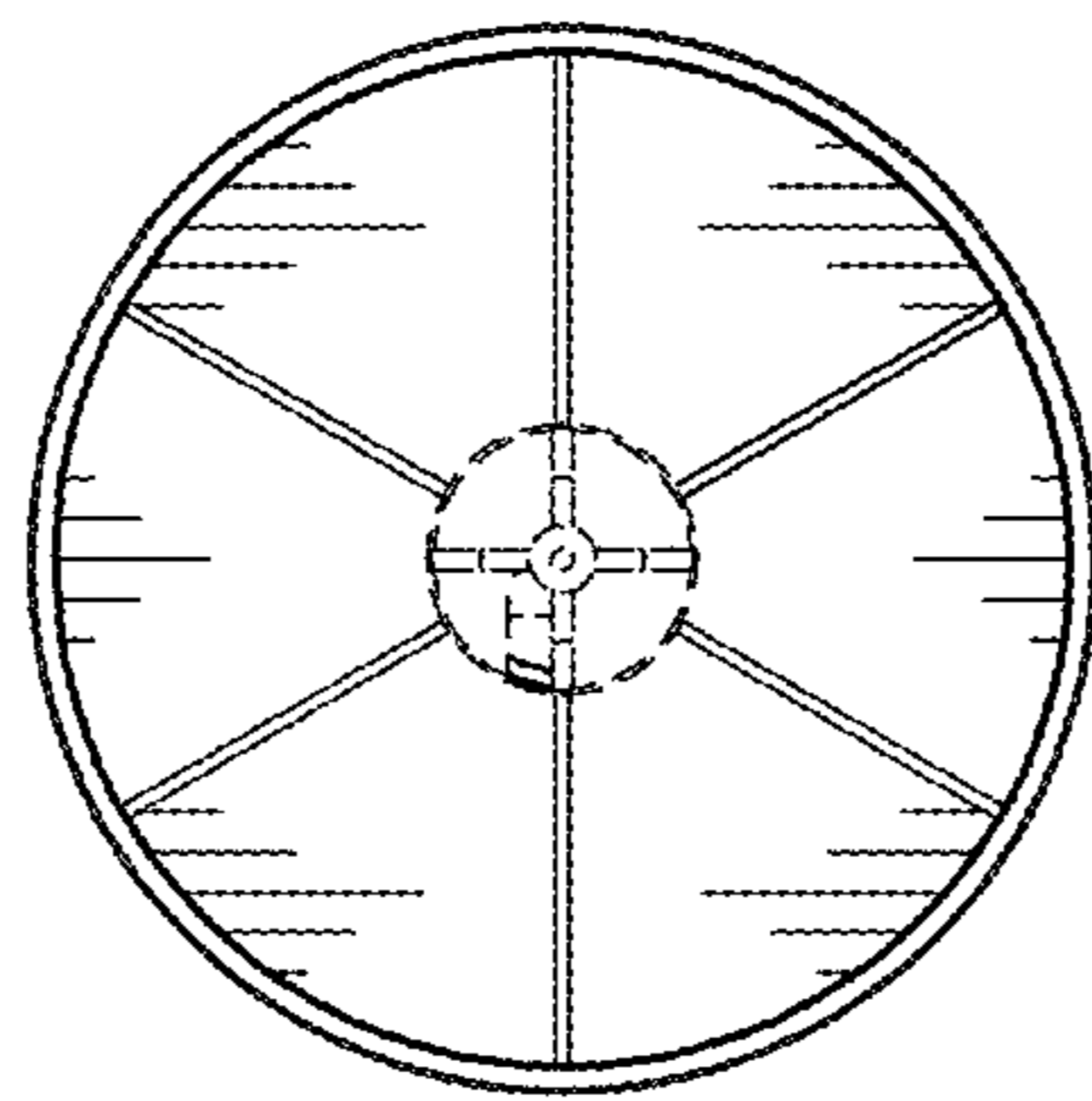


FIG. 7

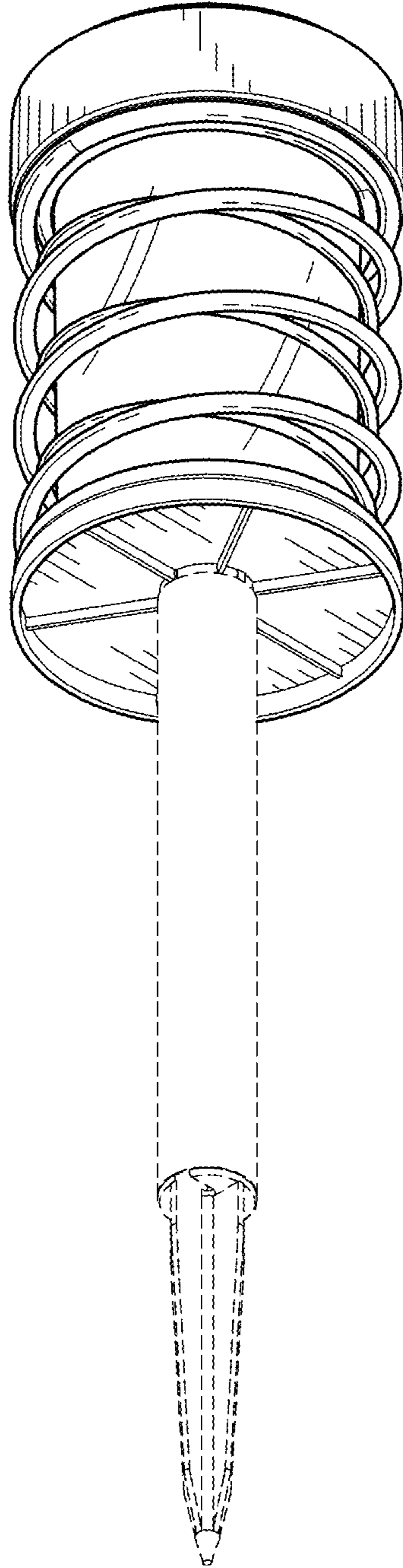


FIG. 8