

US00D822866S

(12) **United States Design Patent** (10) **Patent No.:** **US D822,866 S**  
**Chen** (45) **Date of Patent:** **\*\* Jul. 10, 2018**

(54) **LANDSCAPE LIGHT**  
(71) Applicant: **Chia-Teh Chen**, Taipei (TW)  
(72) Inventor: **Chia-Teh Chen**, Taipei (TW)  
(\*\*) Term: **15 Years**  
(21) Appl. No.: **29/616,544**  
(22) Filed: **Sep. 7, 2017**  
(51) **LOC (11) Cl.** ..... **26-05**  
(52) **U.S. Cl.**  
USPC ..... **D26/67**  
(58) **Field of Classification Search**  
USPC ..... D26/67, 68, 85, 119, 129, 131, 132  
CPC .... F21S 8/032; F21S 8/081; F21S 9/03; F21S  
9/037; F21W 2131/109; F21W 2111/02;  
F21W 2111/023; F21W 2111/06; F21V  
21/0824  
See application file for complete search history.

(56) **References Cited**

**U.S. PATENT DOCUMENTS**

D518,589 S *	4/2006	Harbaugh	.....	D26/68
D563,015 S *	2/2008	Lee	.....	D26/67
D580,581 S *	11/2008	Grant	.....	D25/135
D604,439 S *	11/2009	Chen	.....	D26/67
D604,440 S *	11/2009	Chen	.....	D26/67
D616,134 S *	5/2010	Grant	.....	D25/135
D629,551 S *	12/2010	Jing	.....	D26/67
D629,949 S *	12/2010	Ho	.....	D26/67
D630,362 S *	1/2011	Sooferian	.....	D26/68
D637,334 S *	5/2011	Sooferian	.....	D26/68

D666,758 S *	9/2012	Ho	.....	D26/67
D694,932 S *	12/2013	Meyer	.....	D26/67
D698,966 S *	2/2014	Sooferian	.....	D26/68

**OTHER PUBLICATIONS**

Bel Air Lighting 2-Light Outdoor Bostonian Lantern, Model No. 5429-1 BK from the Home Depot. Found at homedepot.com, visited Apr. 15, 2018. (Year: 2018).\*

\* cited by examiner

*Primary Examiner* — Clare E Heflin

(74) *Attorney, Agent, or Firm* — Li & Cai Intellectual Property (USA) Office

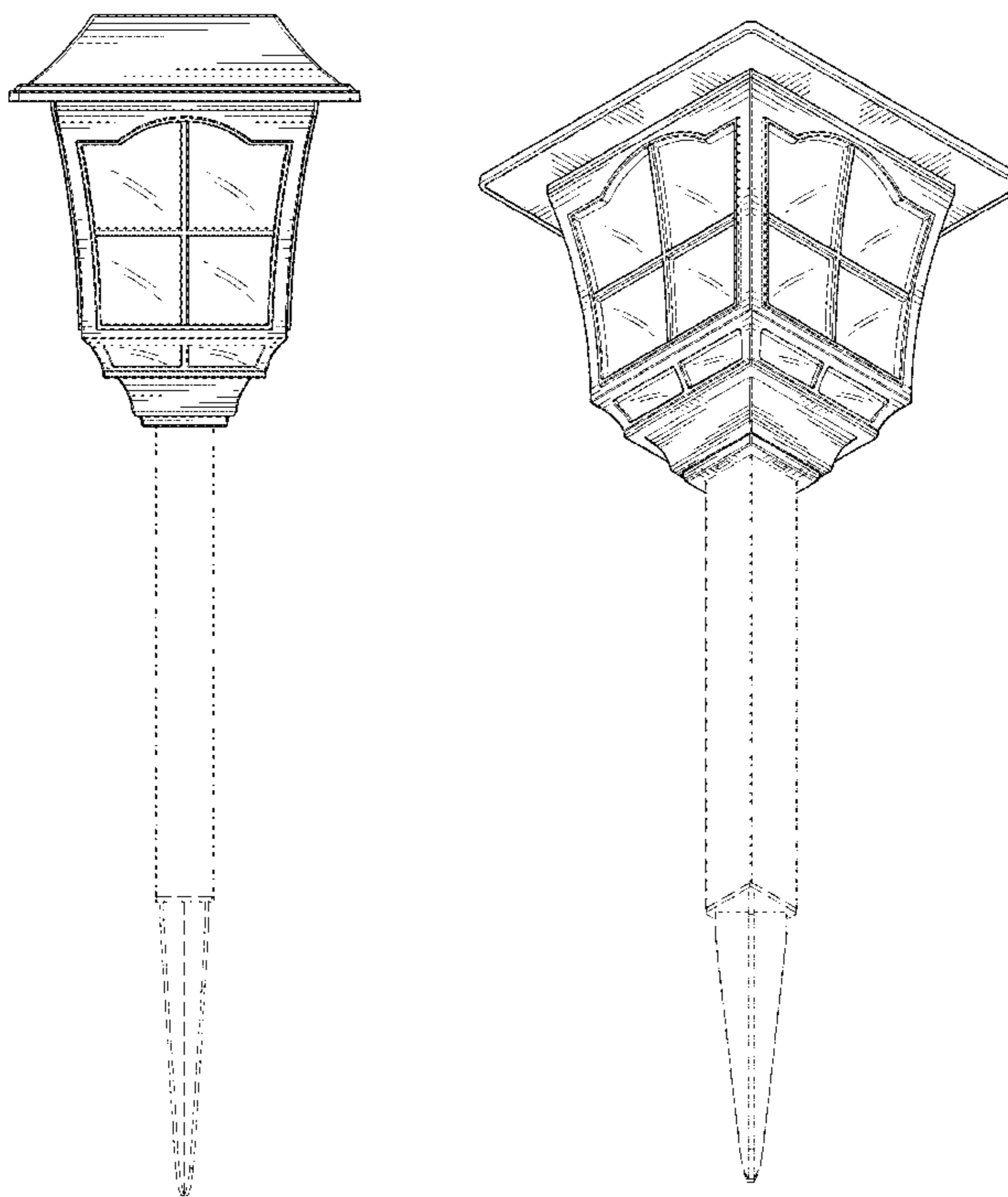
(57) **CLAIM**

The ornamental design for a “landscape light,” as shown and described.

**DESCRIPTION**

FIG. 1 is a top perspective view of a landscape light showing my new design;  
FIG. 2 is a front elevation view thereof;  
FIG. 3 is a rear elevation view thereof;  
FIG. 4 is a left side elevation view thereof;  
FIG. 5 is a right side elevation view thereof;  
FIG. 6 is a top plan view thereof;  
FIG. 7 is a bottom plan view thereof; and,  
FIG. 8 is a bottom perspective view thereof.  
The broken lines shown represent unclaimed subject matter and form no part of the claimed design.

**1 Claim, 7 Drawing Sheets**



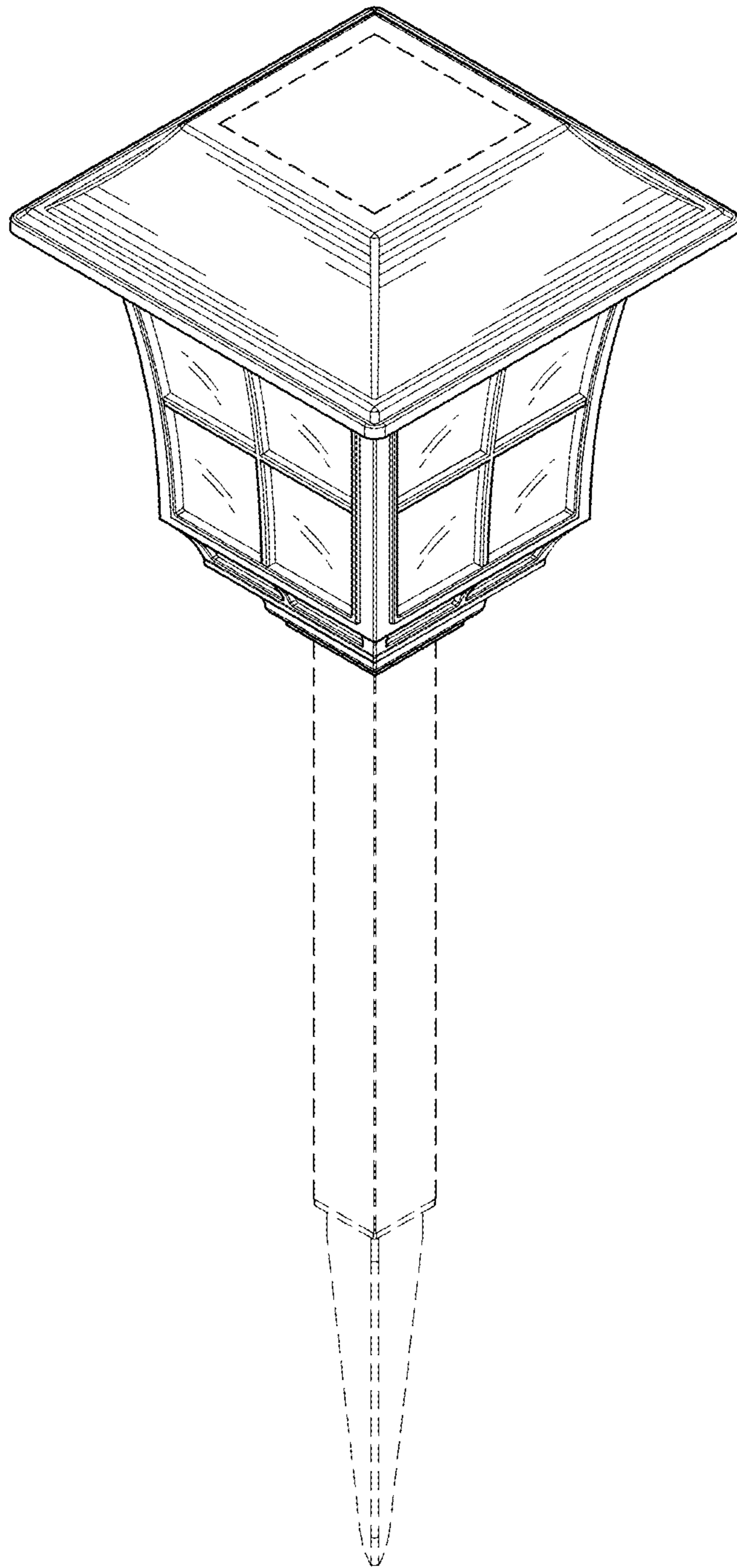


FIG. 1

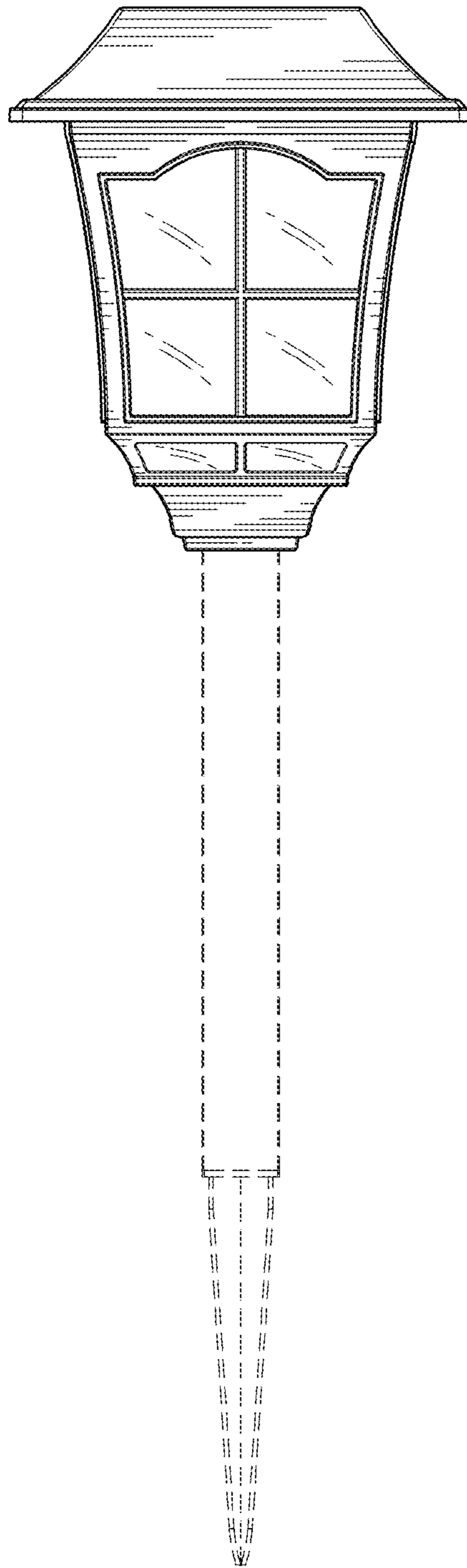


FIG. 2

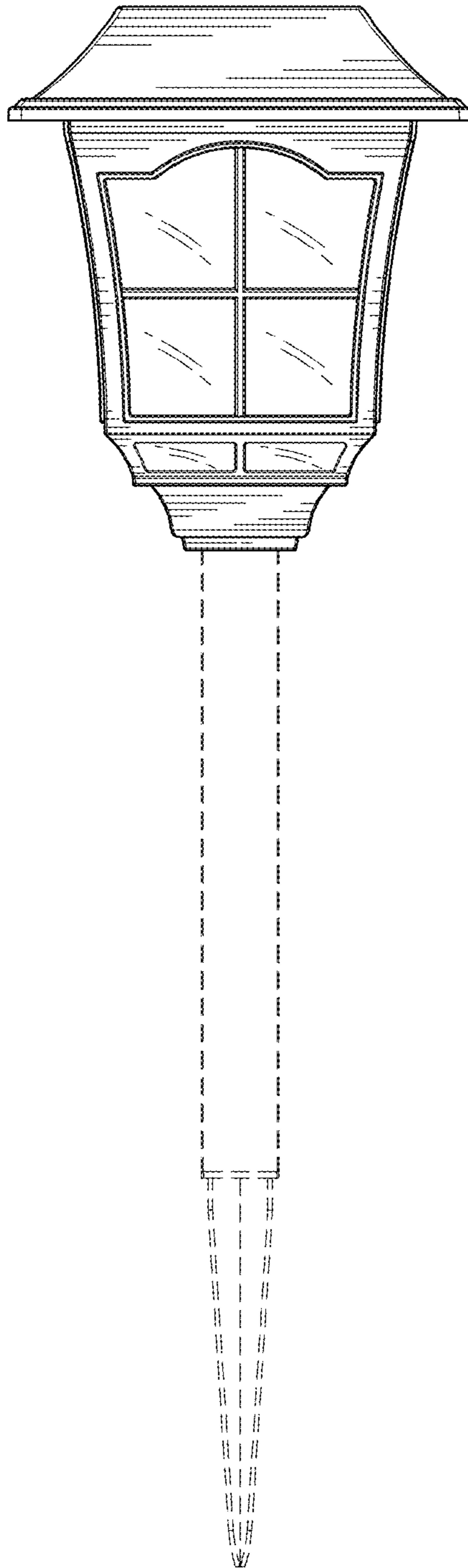


FIG. 3

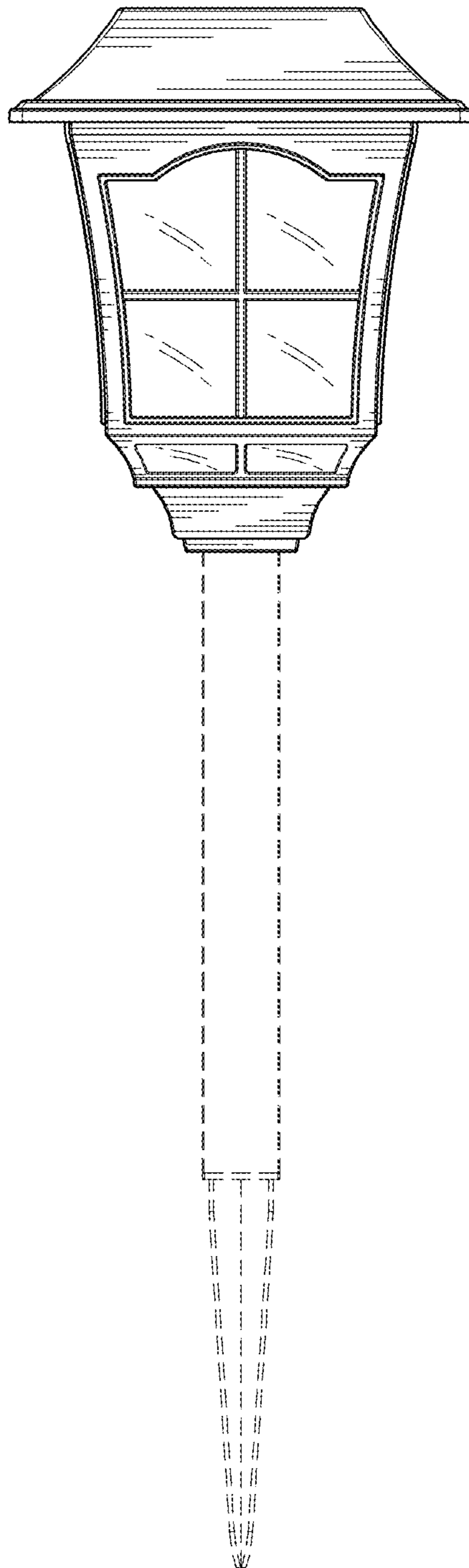


FIG. 4

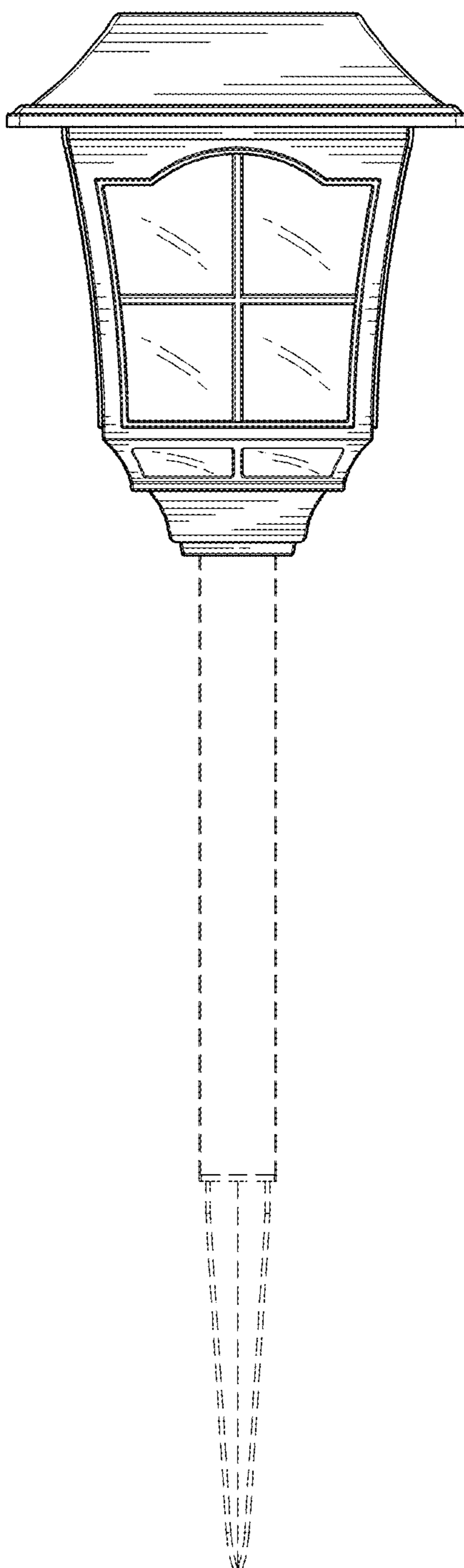


FIG. 5

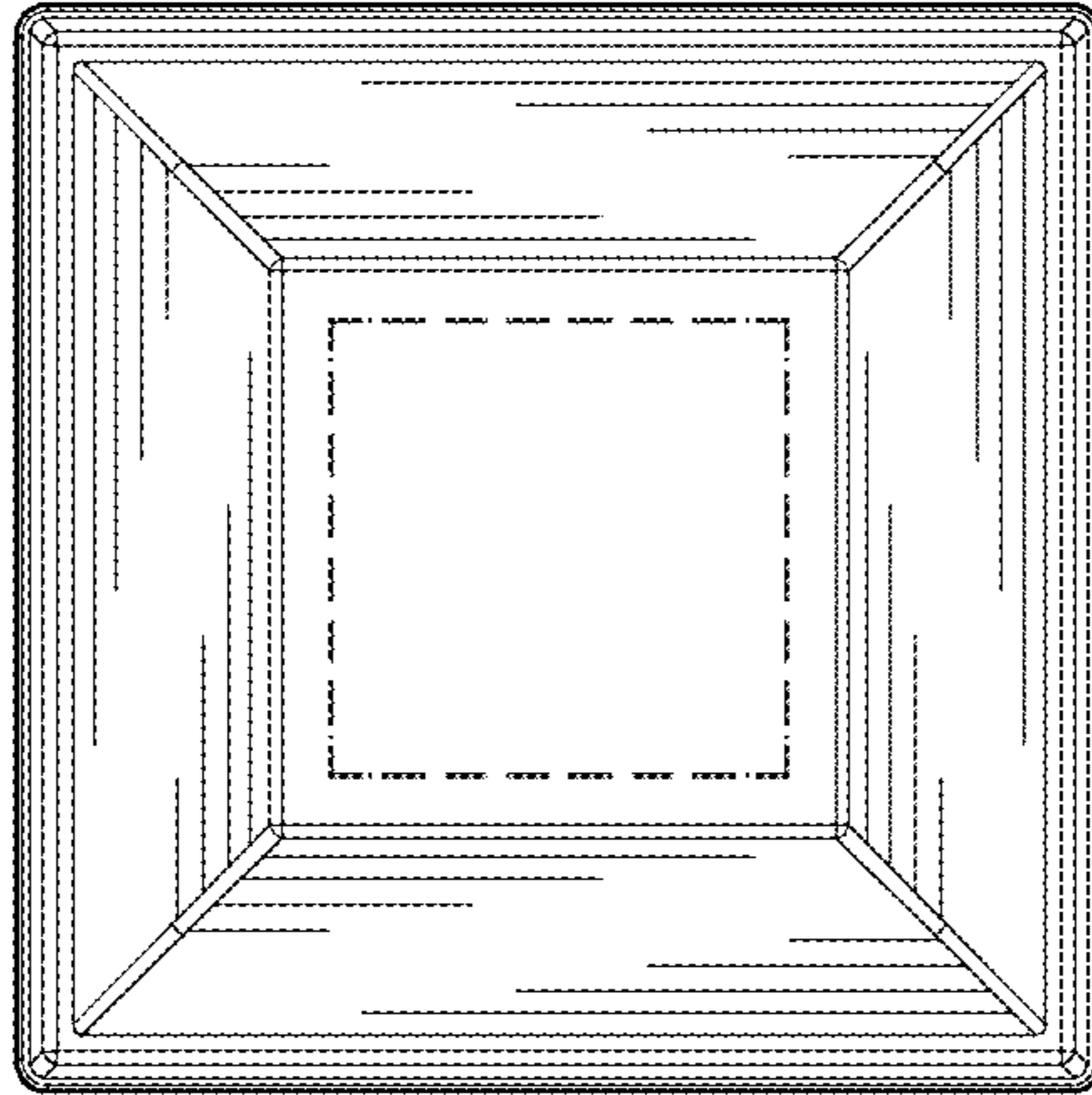


FIG. 6

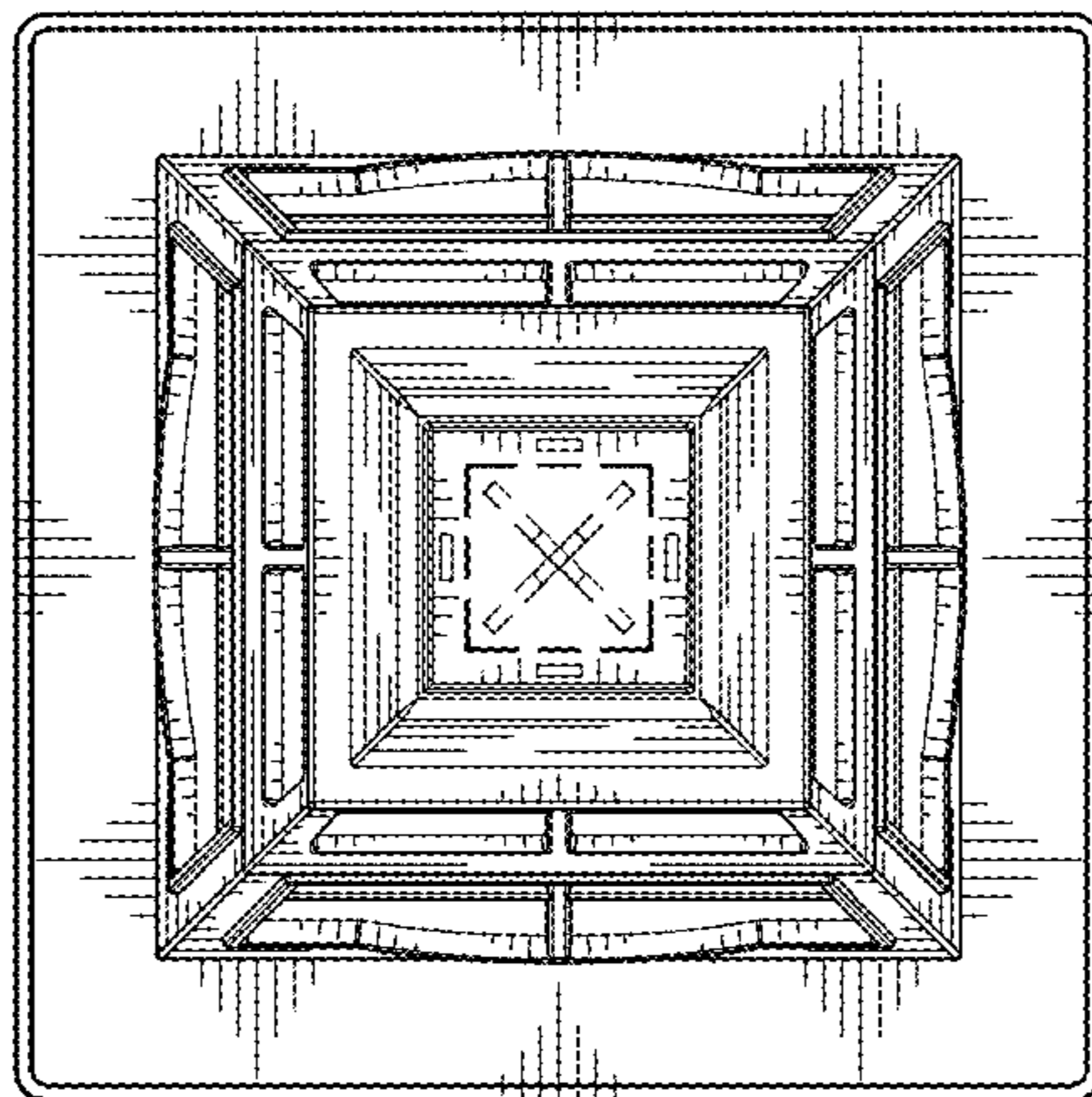


FIG. 7

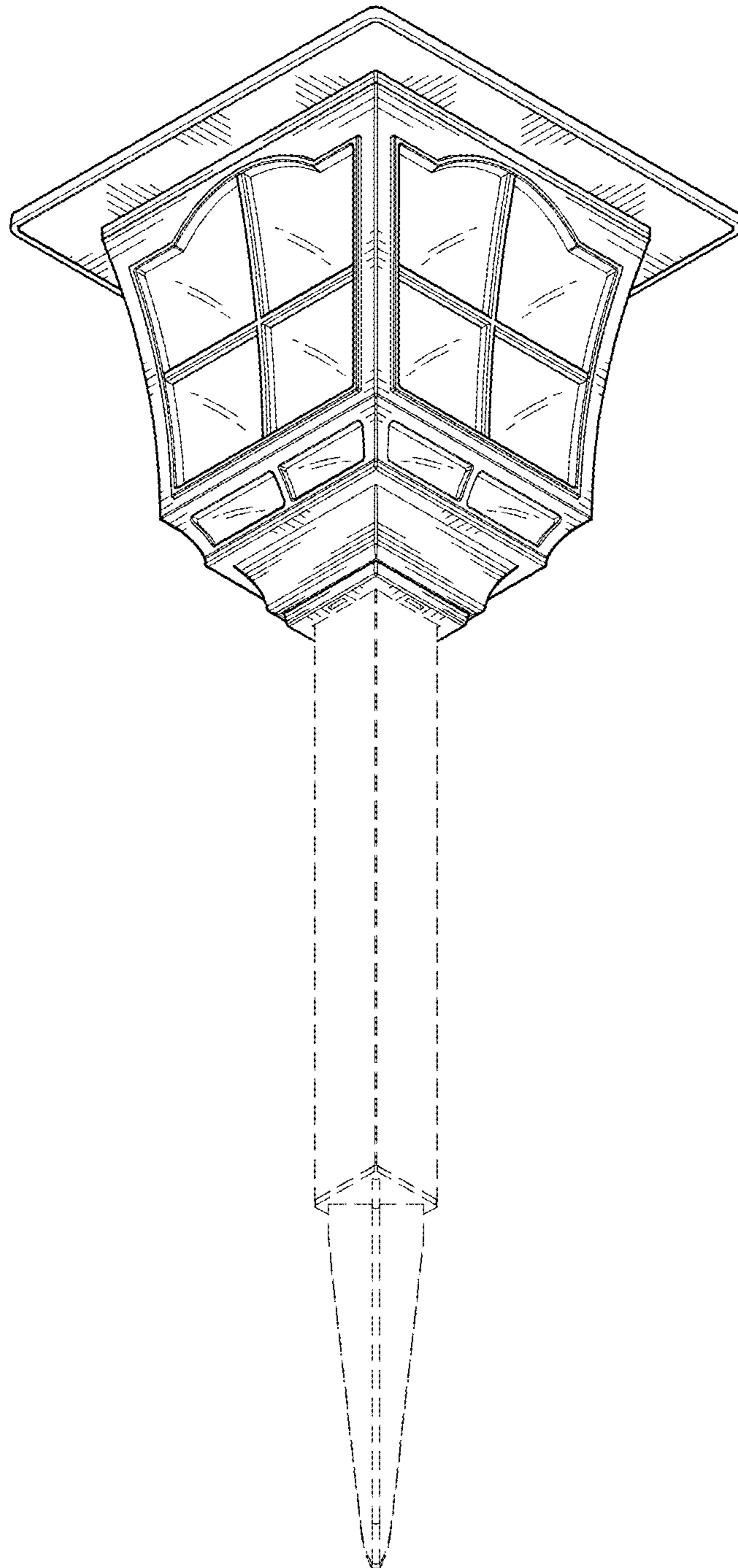


FIG. 8