



US00D822865S

(12) **United States Design Patent**
Fassi

(10) **Patent No.:** **US D822,865 S**
(45) **Date of Patent:** **** Jul. 10, 2018**

(54) **LIGHTING APPARATUS**

- (71) Applicant: **LEGAMI S.R.L.**, Azzano S. Paolo (BG) (IT)
- (72) Inventor: **Alberto Fassi**, Bergamo (IT)
- (73) Assignee: **Legami S.r.l.**, Azzano S. Paolo (IT)
- (**) Term: **15 Years**
- (21) Appl. No.: **29/565,924**
- (22) Filed: **May 25, 2016**

(30) **Foreign Application Priority Data**

Dec. 22, 2015 (EM) 002920504

(51) **LOC (11) Cl.** **26-05**

(52) **U.S. Cl.**
USPC **D26/60; D26/62**

(58) **Field of Classification Search**
USPC D10/111–114.9; D14/473; D25/126,
D25/129; D26/1, 23, 24, 60–66, 93, 101,
D26/104–110, 112, 113, 118, 120, 144,
D26/154, 128, 142

CPC F21S 6/00; F21S 6/002; F21S 6/003; F21S
6/004; F21S 6/005; F21S 6/006; F21S
6/008; F21V 21/02; F21V 21/08; F21W
2131/30

See application file for complete search history.

(56) **References Cited**

U.S. PATENT DOCUMENTS

D220,717 S *	5/1971	Andre	D26/62
D383,559 S *	9/1997	Chan	D26/60
5,765,793 A *	6/1998	Yu	F21S 6/003 248/126

(Continued)

OTHER PUBLICATIONS

Hampton Bay LED Black Clip Lamp (available online) Retrieved from the internet Jun. 27, 2017, retrieved from the internet URL:

<http://www.homedepot.com/p/Hampton-Bay-14-in-LED-Black-Clip-Lamp-AF40167/205510996>.*

(Continued)

Primary Examiner — Kevin Keith Rudzinski

Assistant Examiner — Richard Kearney

(74) *Attorney, Agent, or Firm* — Margaret S. Millikin

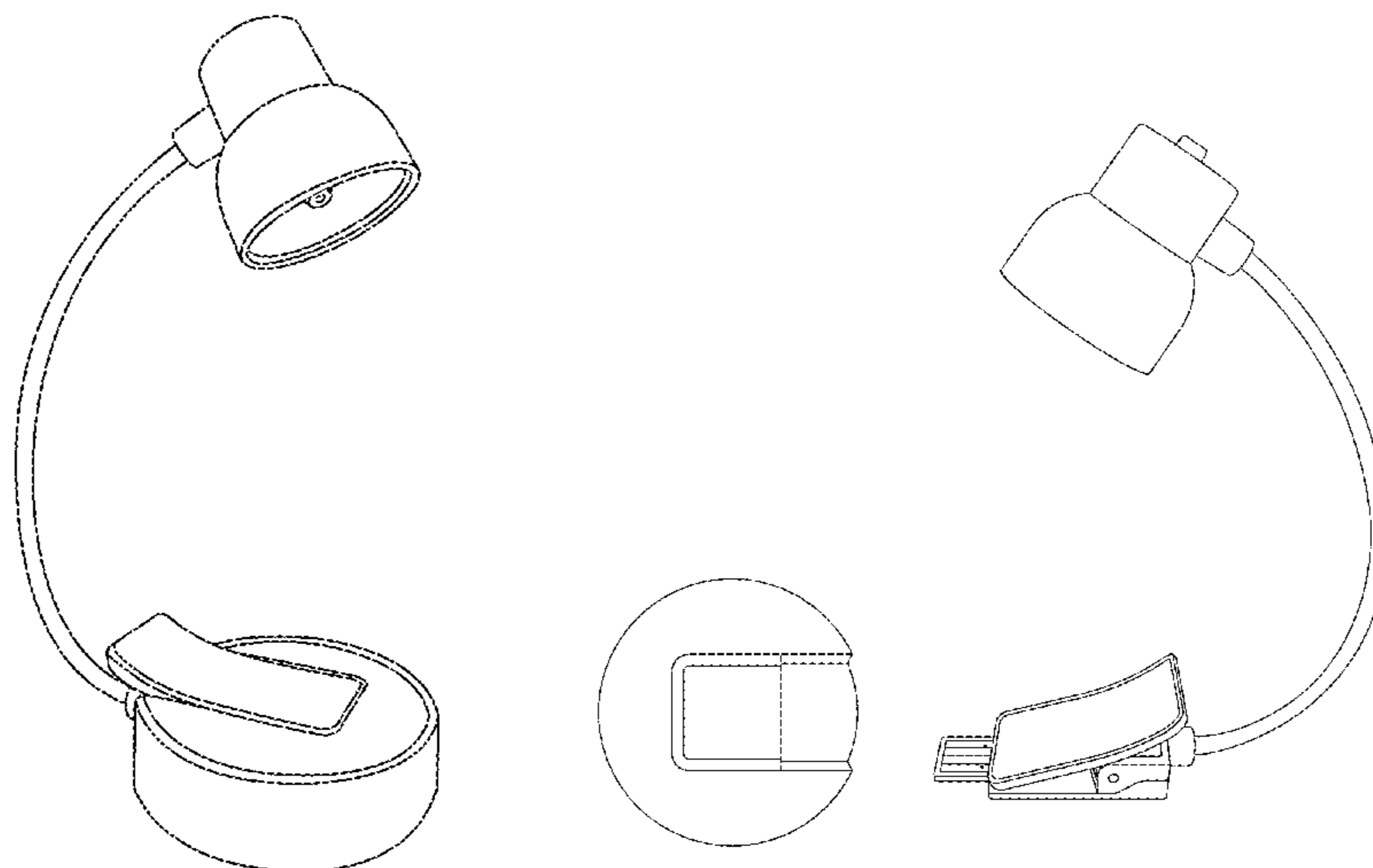
(57) **CLAIM**

The ornamental design for a lighting apparatus, as shown and described.

DESCRIPTION

FIG. 1 is a left side perspective view of a lighting apparatus showing my new design;
 FIG. 2 is a right side perspective view thereof;
 FIG. 3 is a left side elevational view thereof;
 FIG. 4 is a front elevational view of the lighting apparatus with the stem portion of the lamp adjusted to permit a change in position of the lamp head to a 90 degree angle;
 FIG. 5 is a top perspective view thereof;
 FIG. 6 is a top plan view with the stem portion of the lamp adjusted to permit a change in position of the lamp head to a downward angle;
 FIG. 7 is an exploded view of the lighting apparatus, showing a top plan view of the base portion showing the receptacle formed in the base which receives the clip portion of the lighting apparatus and a right side perspective view of the light and clip portion of the lighting apparatus disconnected from the base;
 FIG. 8 is a rear perspective view of the light and clip portion thereof;
 FIG. 9 is a right side perspective view thereof;
 FIG. 10 is a left side perspective view thereof shown in a condition of use; and,
 FIG. 11 is a left side perspective view thereof shown in a condition of use.

1 Claim, 11 Drawing Sheets



(56)

References Cited

U.S. PATENT DOCUMENTS

5,825,637 A * 10/1998 Chen F21S 6/003
362/302
D408,577 S * 4/1999 Arndt D26/107
D438,318 S * 2/2001 Lo D26/60
D498,322 S * 11/2004 Schnell D26/60
D529,651 S * 10/2006 Chan D26/60
D544,124 S * 6/2007 Chan D26/43
D590,533 S * 4/2009 Li D26/60
7,686,467 B2 * 3/2010 Nelson F21V 21/088
362/191
D635,706 S * 4/2011 Hodgson D26/60
D641,902 S * 7/2011 Chan D26/60
D642,312 S * 7/2011 Rothman D26/60
D670,845 S * 11/2012 Hsu D26/60
D694,448 S * 11/2013 Li D26/62
8,899,797 B2 * 12/2014 Schaak F21V 33/0048
362/410

OTHER PUBLICATIONS

LimeLights Adjustable Clip Lamp Light (available online)
Retrieved from the internet Jun. 27, 2017, retrieved from the
internet URL: <https://www.walmart.com/ip/Limelights-LD2014-BLU-LimeLights-Adjustable-Clip-Lamp-Light-Blue/55273665>.*

LEGAMI Facebook Post (available online Jan. 9, 2016) Retrieved
from the internet Apr. 26, 2018 from URL: <https://www.facebook.com/legami/photos/pcb.10153192142795848/10153192142560848/?type=3&theater>.*

* cited by examiner

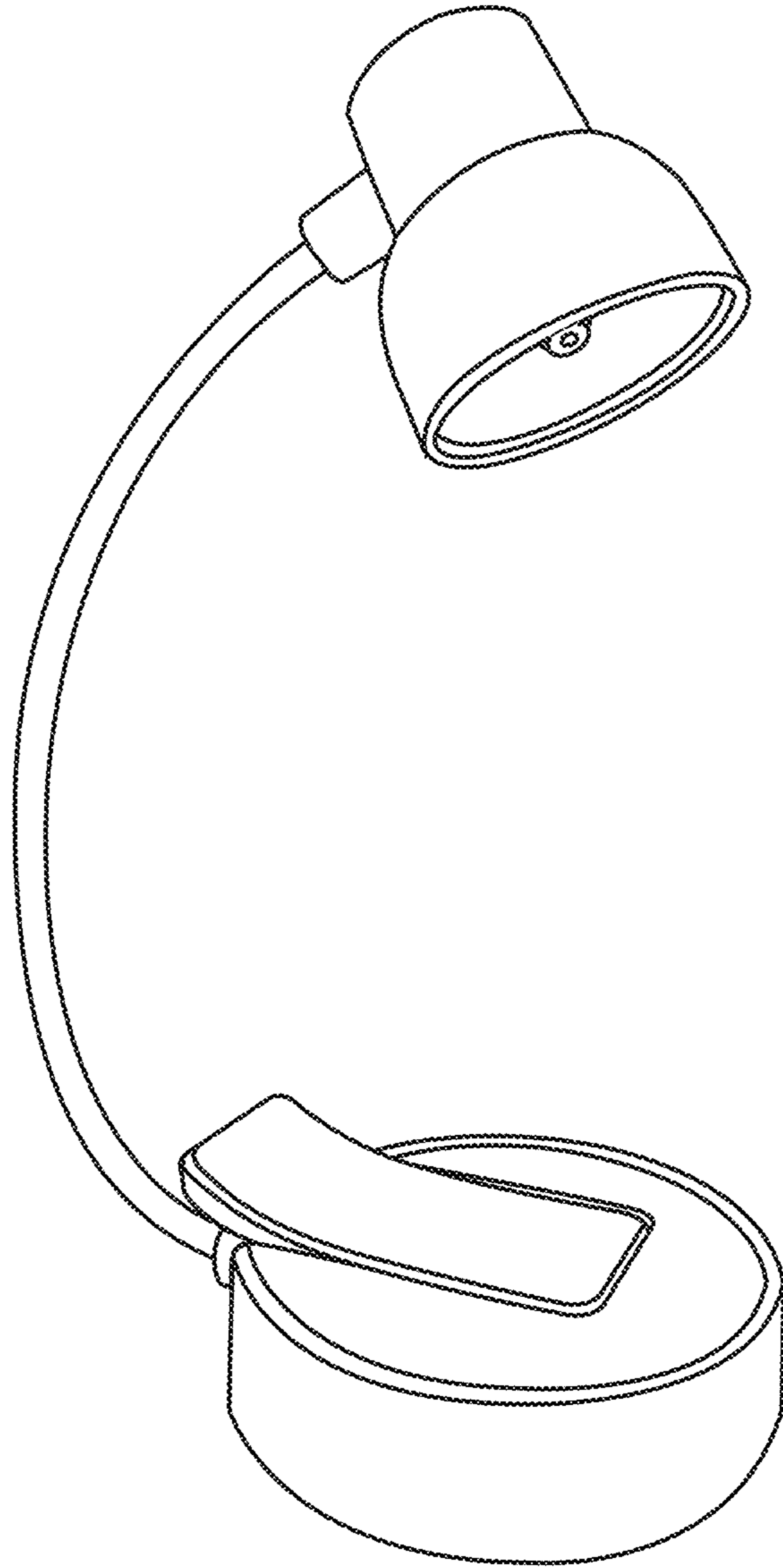


Figure 1

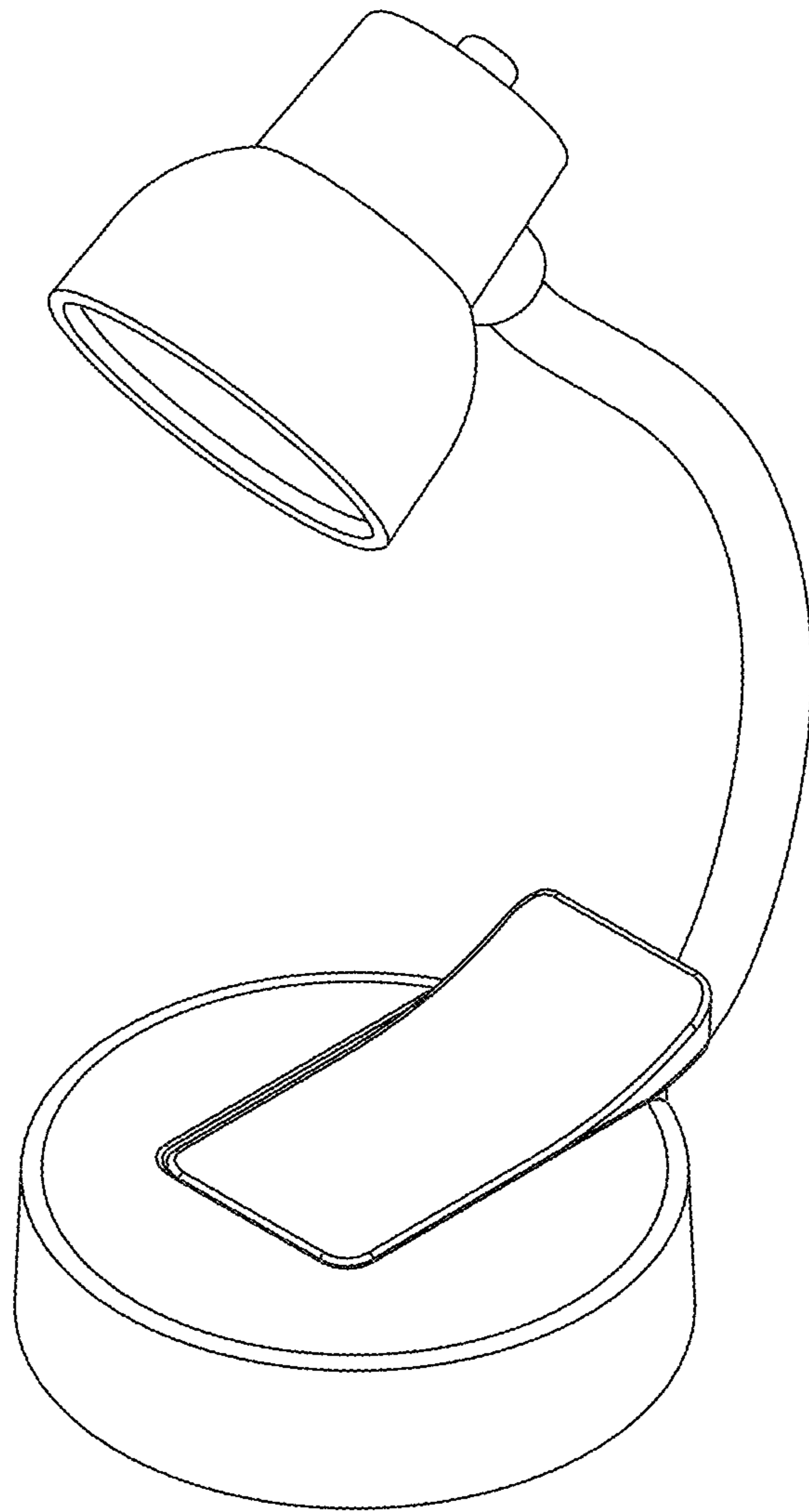


Figure 2

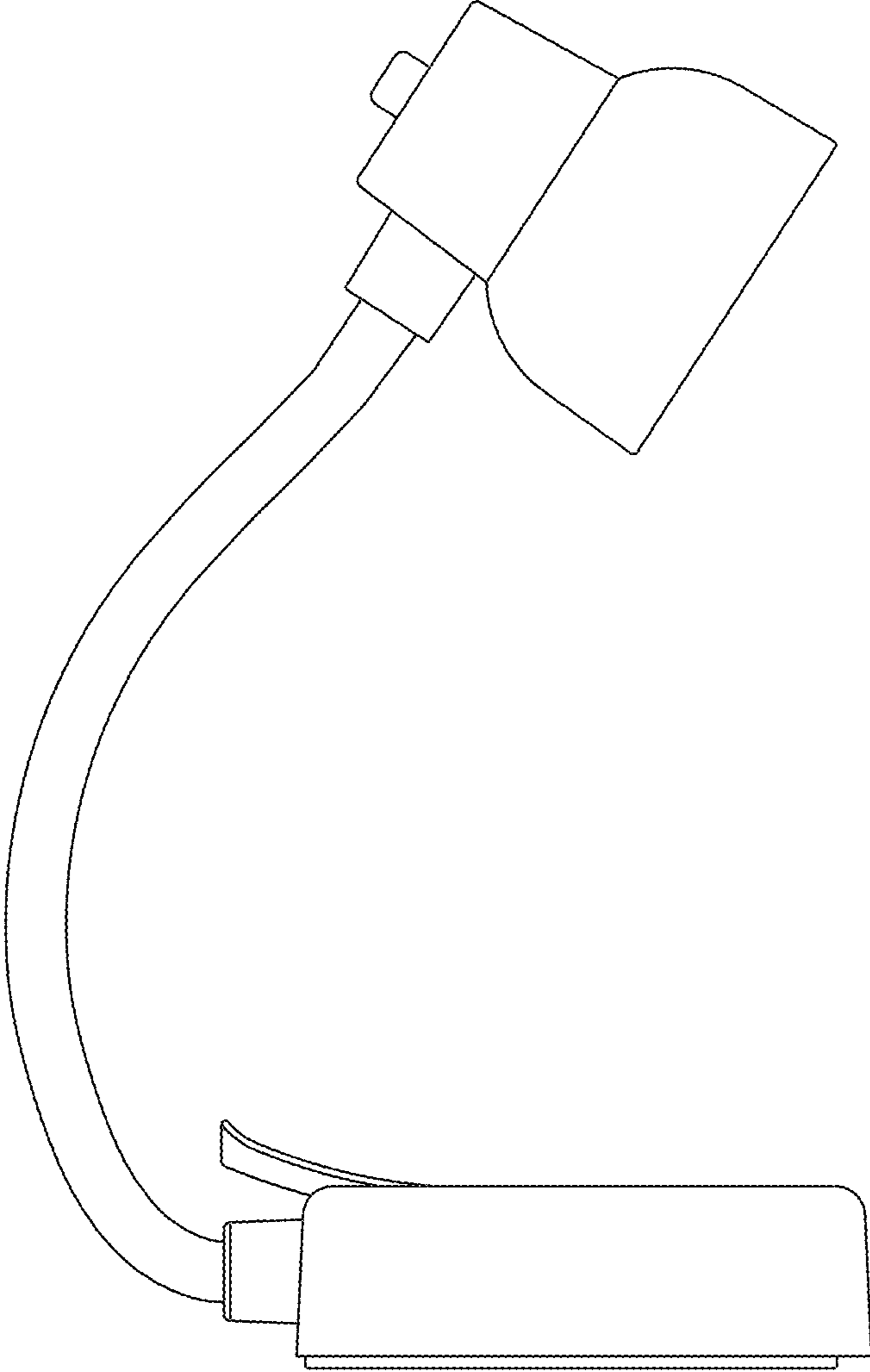


Figure 3

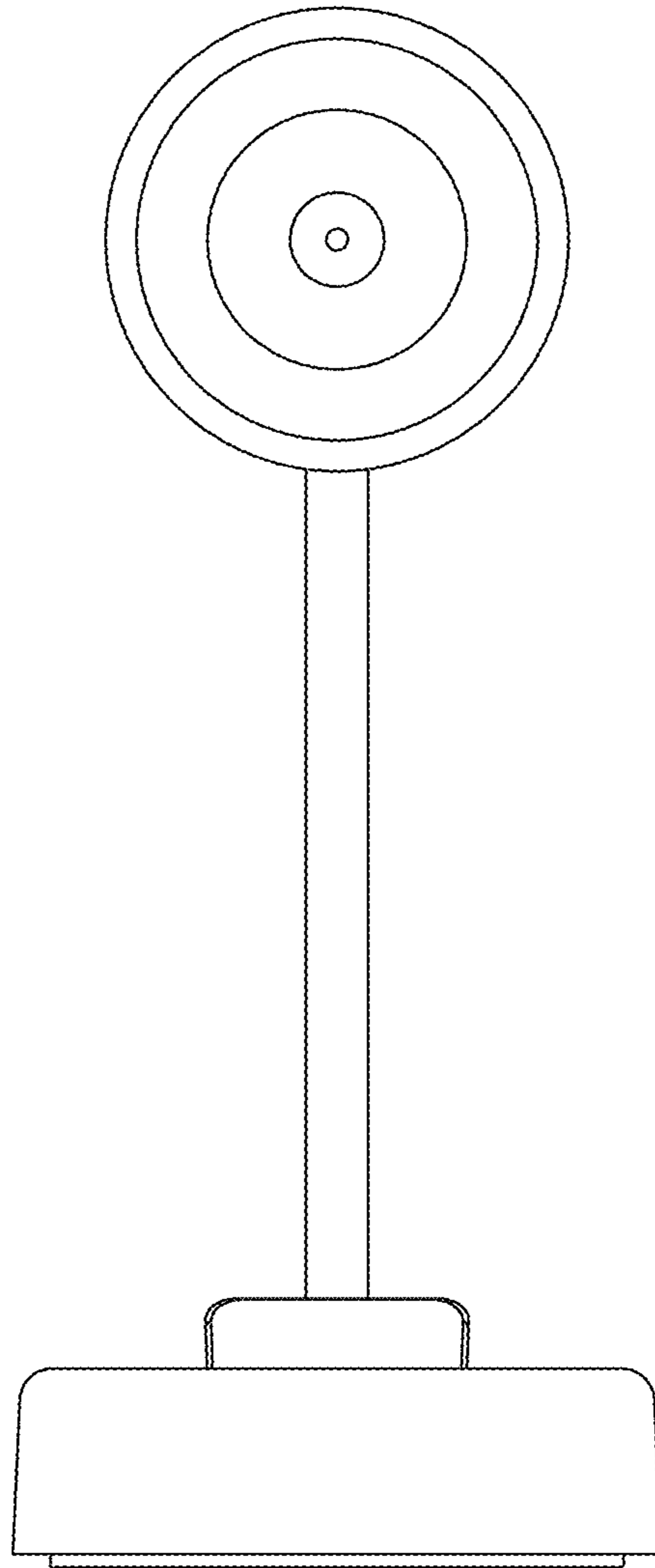


Figure 4

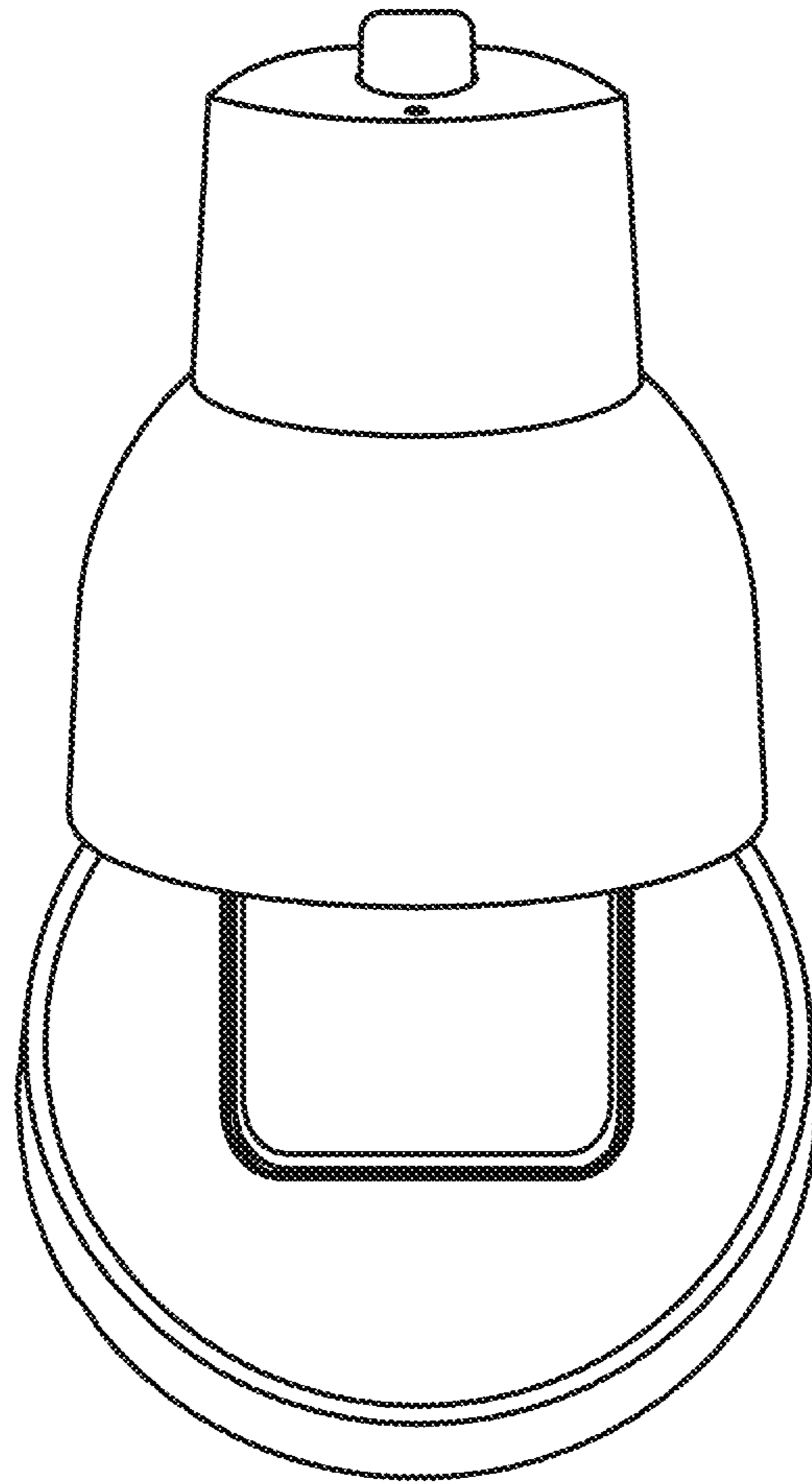


Figure 5

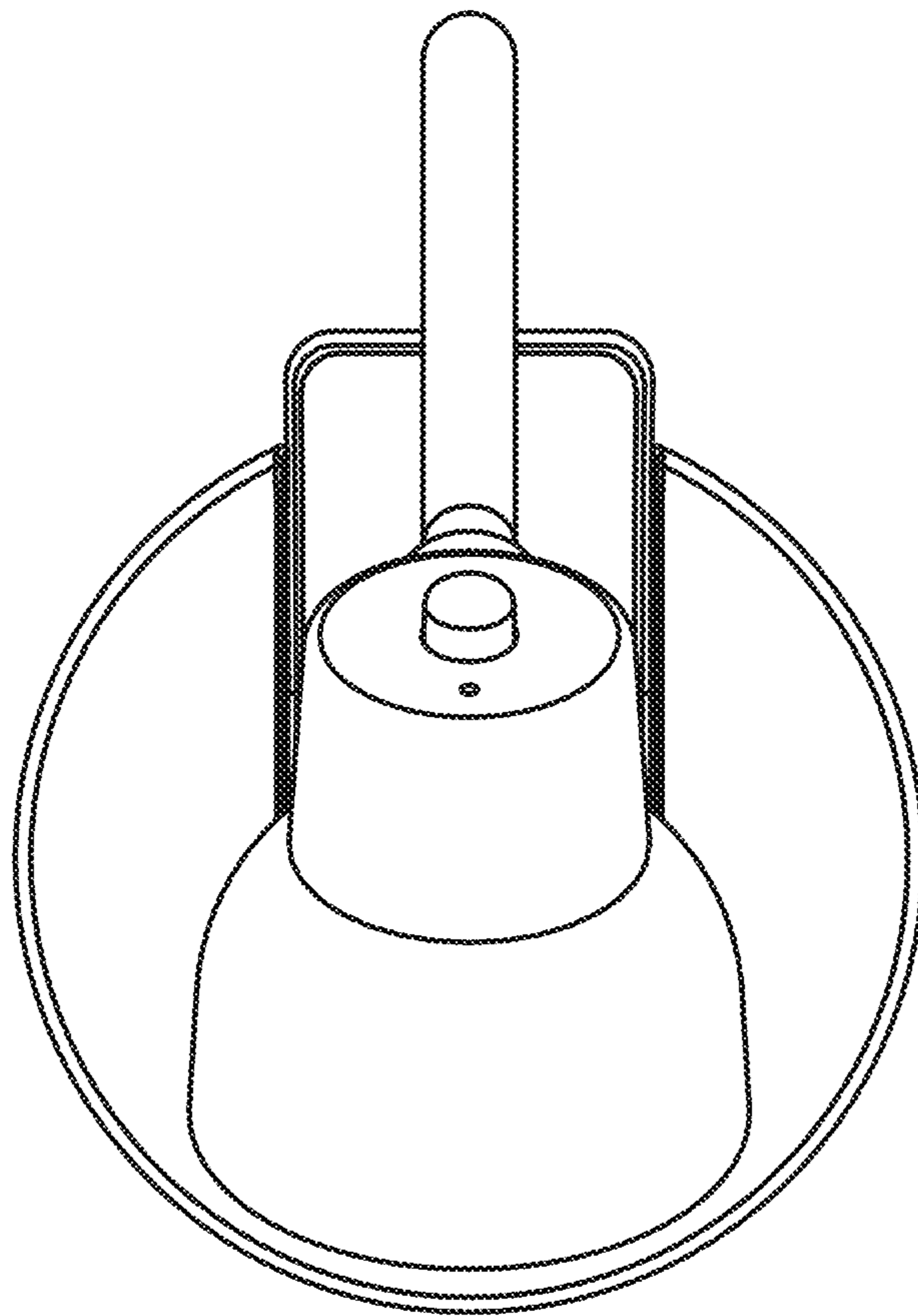


Figure 6

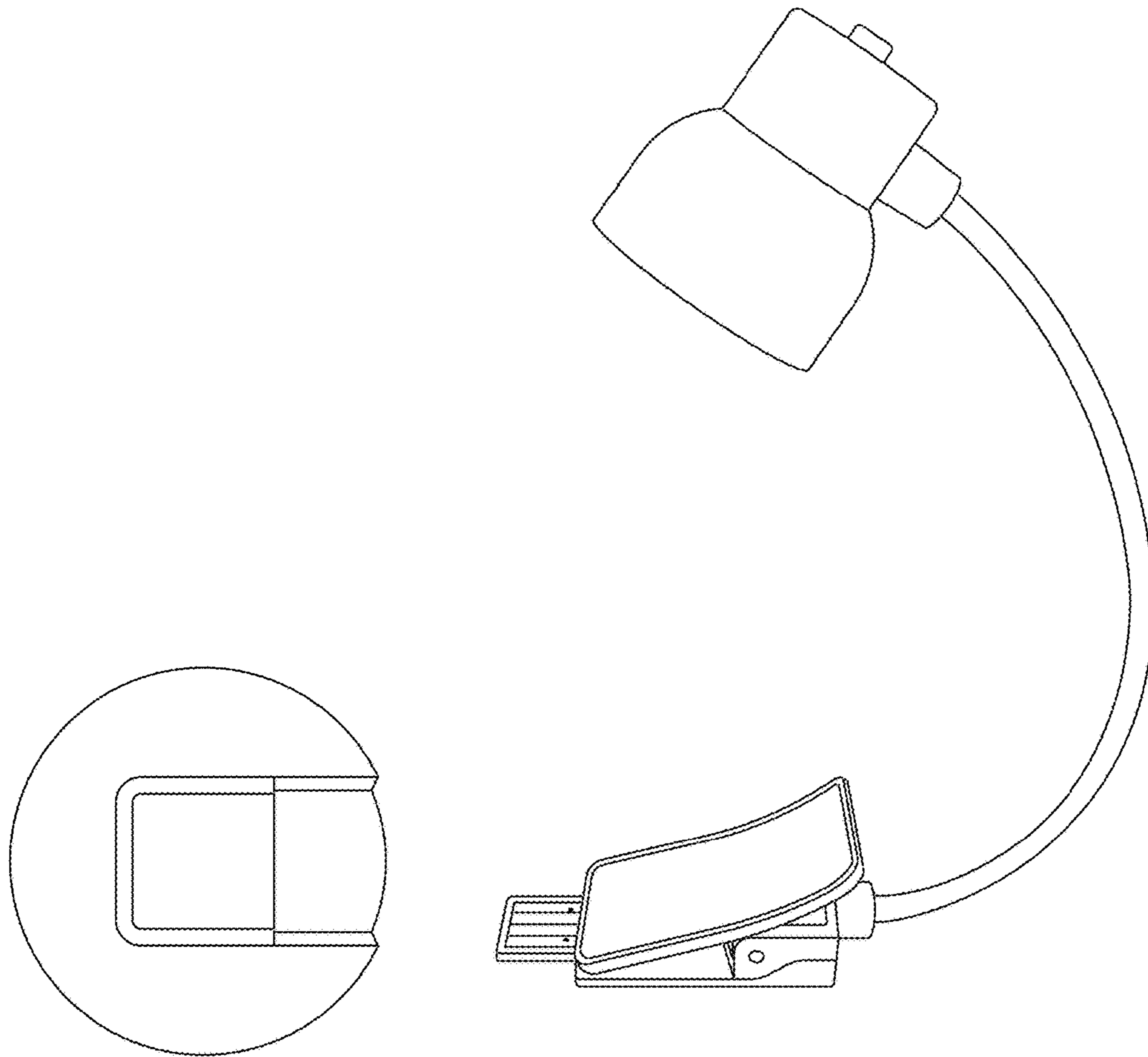


Figure 7

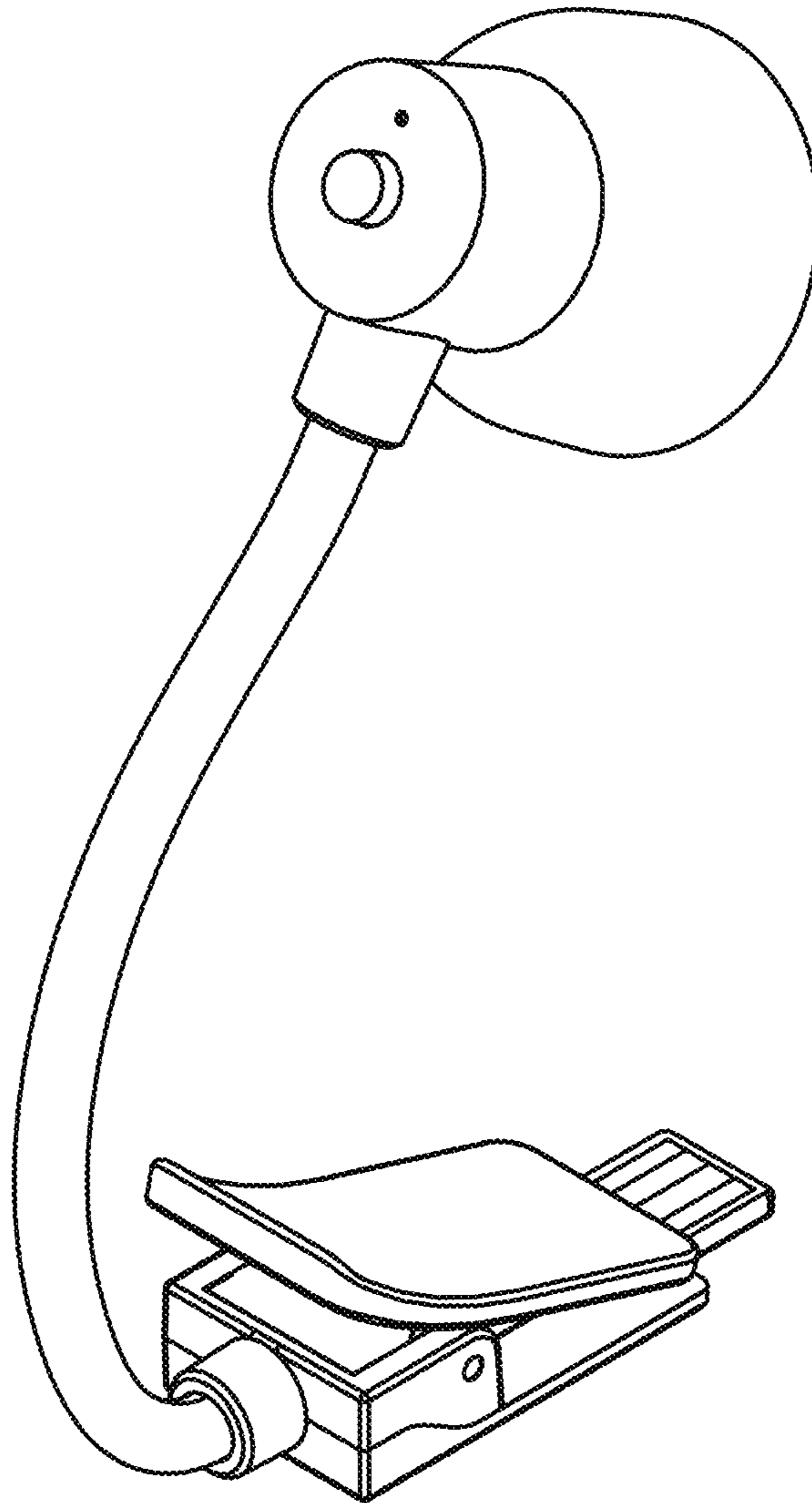


Figure 8

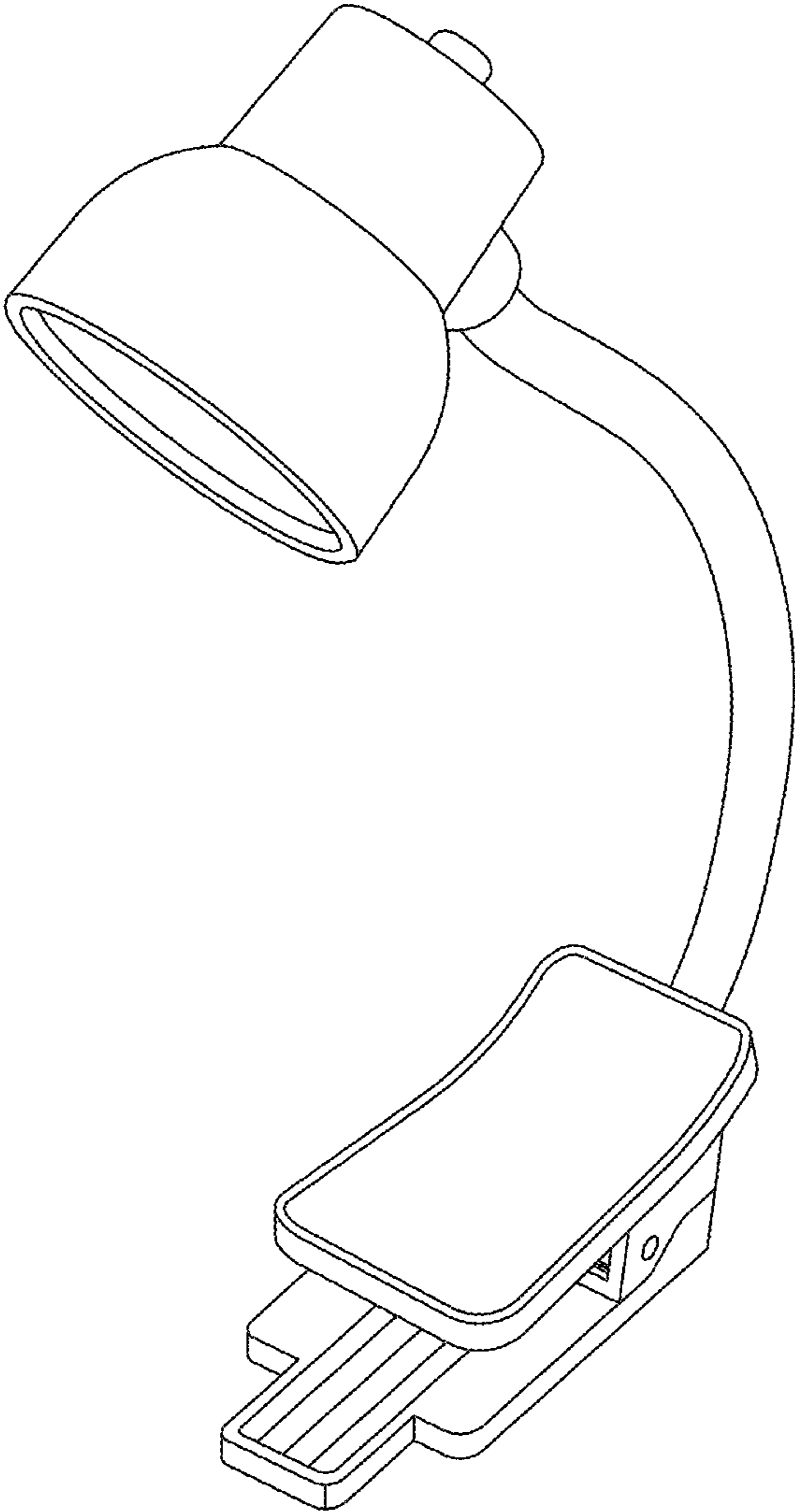


Figure 9

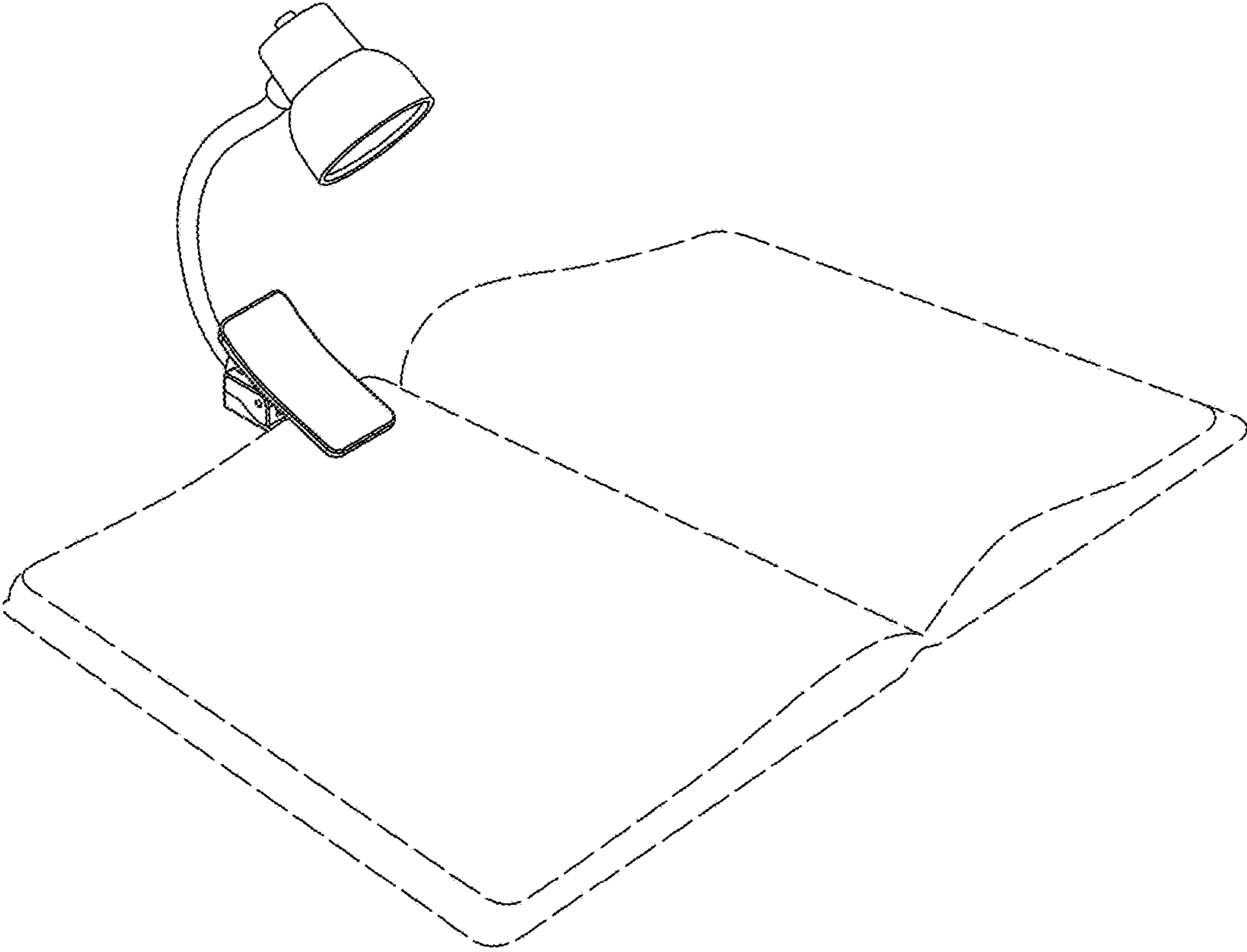


Figure 10

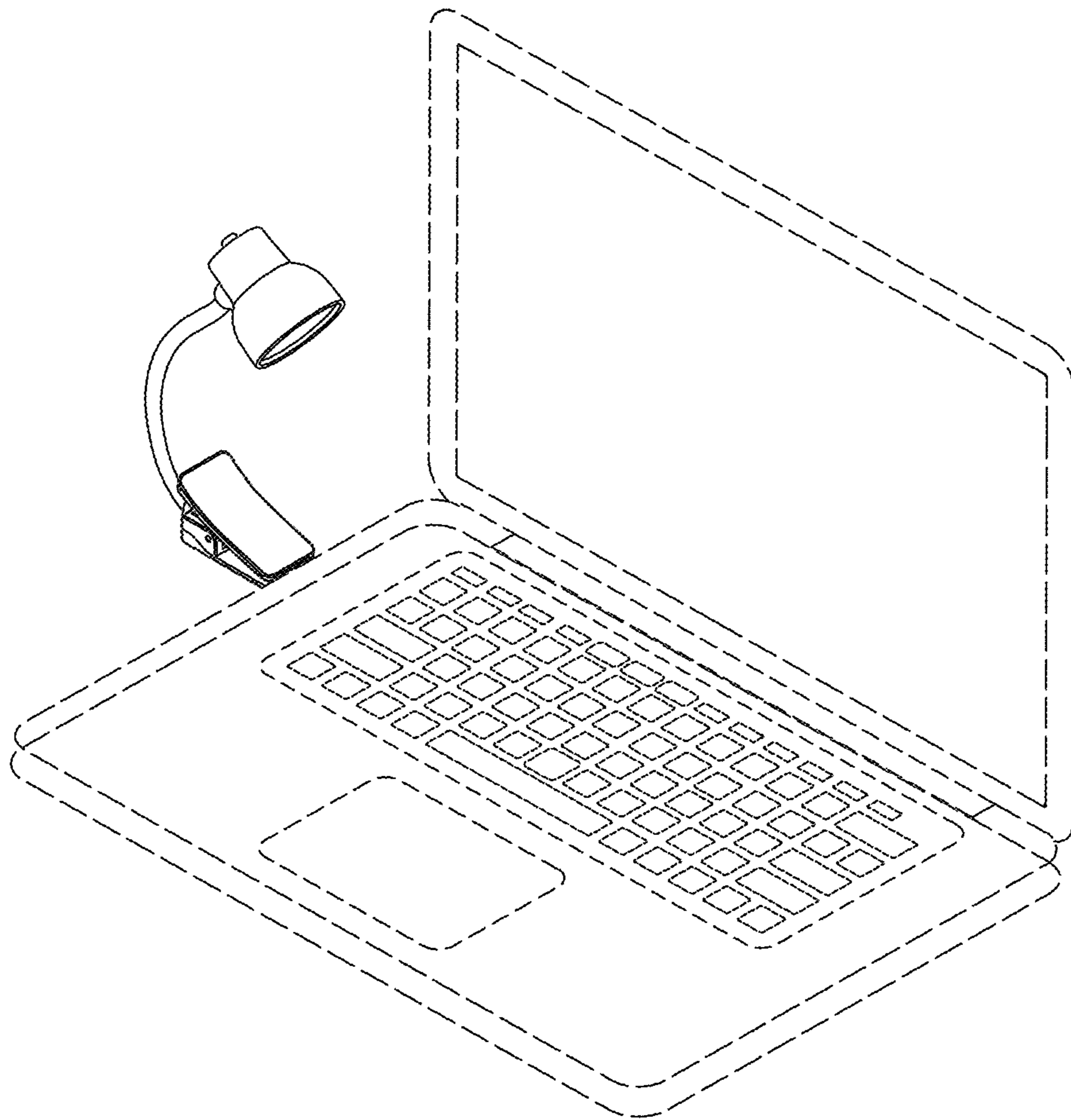


Figure 11