



US00D822864S

(12) **United States Design Patent**
Windom

(10) **Patent No.:** **US D822,864 S**

(45) **Date of Patent:** **** *Jul. 10, 2018**

(54) **PEN LIGHT**

(75) Inventor: **Gregory David Windom**, Portland, OR (US)

(73) Assignee: **Coast Cutlery Co.**, Portland, OR (US)

(*) Notice: This patent is subject to a terminal disclaimer.

(**) Term: **14 Years**

(21) Appl. No.: **29/425,360**

(22) Filed: **Jun. 21, 2012**

(51) **LOC (11) Cl.** **26-02**

(52) **U.S. Cl.**
USPC **D26/51**

(58) **Field of Classification Search**
USPC D26/37, 38, 44, 45, 46, 48, 49, 51, 52;
362/157, 158, 183, 184, 194-196,
362/200-208, 253; D19/130
CPC F21V 33/00; F21V 14/025; F21V 21/406;
F21Y 2101/02; F21L 2003/00; F21L
2005/00; F21L 2/00; F21L 4/00; F21L
4/005; F21L 17/00; F21L 13/08
See application file for complete search history.

(56) **References Cited**

U.S. PATENT DOCUMENTS

D229,854 S *	1/1974	Bajusz	D26/49
D244,796 S *	6/1977	Staub	D26/49
D252,170 S *	6/1979	Simmons	D26/49
D308,109 S *	5/1990	Maglica	D26/49
D368,786 S *	4/1996	Van Cort	D26/49
D400,921 S *	11/1998	Ting	D14/431
D417,022 S *	11/1999	Chiu	D26/49
D419,254 S *	1/2000	Chiu	D26/49
D419,704 S *	1/2000	Ting	D26/37
D430,321 S *	8/2000	Sharrah	D26/37
D450,873 S *	11/2001	Opolka	D19/173
D452,024 S *	12/2001	Sharrah	D26/49

D479,888 S *	9/2003	Sharrah	D26/37
D485,925 S *	1/2004	Oas	D26/38
D486,930 S *	2/2004	Stoddard	D26/37
D490,920 S *	6/2004	Wiesmeth	D26/37
6,811,280 B1 *	11/2004	Sharrah	F21L 4/005 362/202
D499,499 S *	12/2004	Cetera	D26/37
D504,531 S *	4/2005	Bhavnani	D26/38
6,874,908 B2 *	4/2005	Sharrah	F21L 4/027 362/119
D507,364 S *	7/2005	Lo	D26/37
D508,748 S *	8/2005	Man	D26/37

(Continued)

Primary Examiner — Lakiya Rogers

Assistant Examiner — Carissa C Fitts

(74) *Attorney, Agent, or Firm* — Schwabe Williamson & Wyatt, P.C.

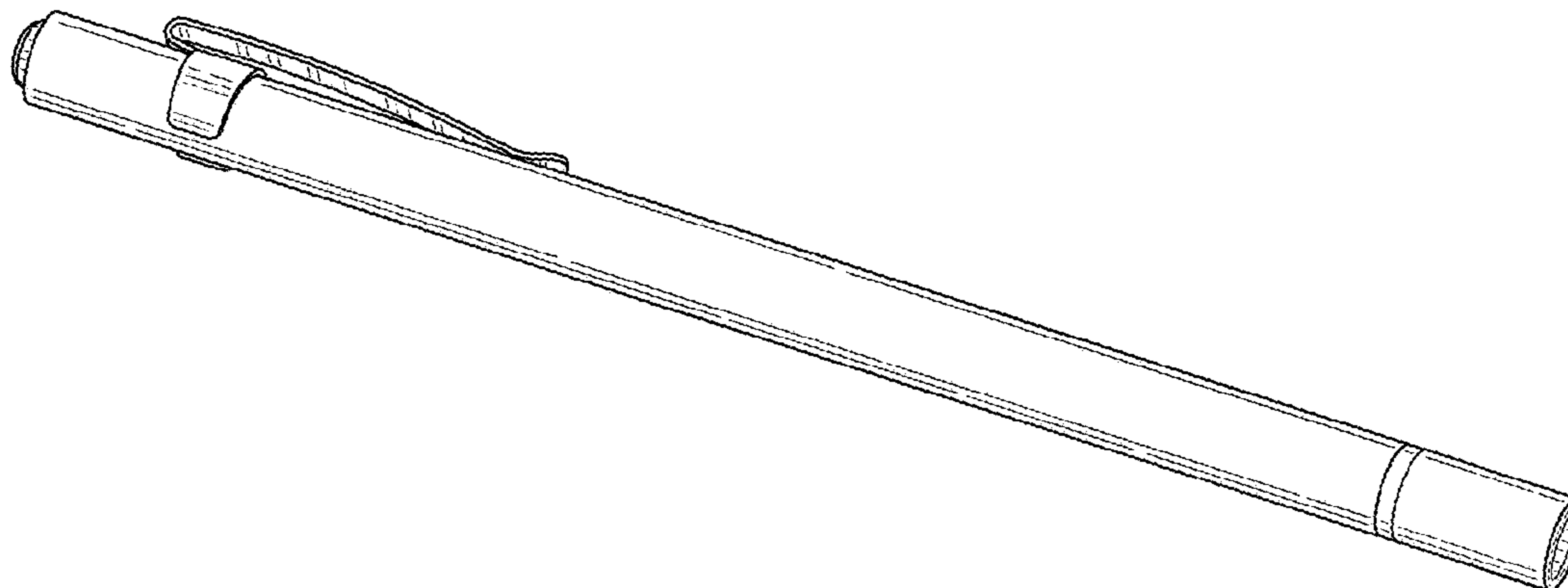
(57) **CLAIM**

The ornamental design for a pen light, as shown and described.

DESCRIPTION

FIG. 1 is a perspective view of a pen light showing my new design;
 FIG. 2 is a second perspective view of the pen light illustrated in FIG. 1;
 FIG. 3 is a top view of the pen light illustrated in FIG. 1;
 FIG. 4 is a bottom view of the pen light illustrated in FIG. 1;
 FIG. 5 is a right side view of the pen light illustrated in FIG. 1;
 FIG. 6 is a left side view of the pen light illustrated in FIG. 1;
 FIG. 7 is an enlarged front view of the pen light illustrated in FIG. 1; and,
 FIG. 8 is an enlarged rear view of the pen light illustrated in FIG. 1.
 The broken line showing is for environmental purposes only and forms no part of the claimed design.

1 Claim, 5 Drawing Sheets



(56)

References Cited

U.S. PATENT DOCUMENTS

D518,906	S	*	4/2006	Stoddard	D26/37
D521,164	S	*	5/2006	Sharrah	D26/37
D530,030	S	*	10/2006	Chou	D26/37
D548,837	S	*	8/2007	Oikawa	D24/158
D548,863	S	*	8/2007	Shiu	D26/37
D562,481	S	*	2/2008	Yick	D26/49
D572,656	S	*	7/2008	Schein	D13/108
D575,890	S	*	8/2008	Montalbano	D26/62
D578,236	S	*	10/2008	Dalton	D26/49
D582,915	S	*	12/2008	Leung	D14/480.3
D590,881	S	*	4/2009	Slemp	D19/171
D603,541	S	*	11/2009	Shiu	D26/38
D612,968	S	*	3/2010	Ma	D26/49
D622,428	S	*	8/2010	Crawford	D26/37
D658,322	S	*	4/2012	Wu	D26/37
D676,170	S	*	2/2013	Feng	D26/38
D691,185	S	*	10/2013	Yip	D16/132
D699,379	S	*	2/2014	Wu	D26/38
D715,983	S	*	10/2014	Jeong	D26/46
D724,245	S	*	3/2015	Clifford	D26/37
D725,810	S	*	3/2015	Jeong	D26/38
D729,963	S	*	5/2015	Windom	D26/38
D743,075	S	*	11/2015	Keaton	D22/108

* cited by examiner

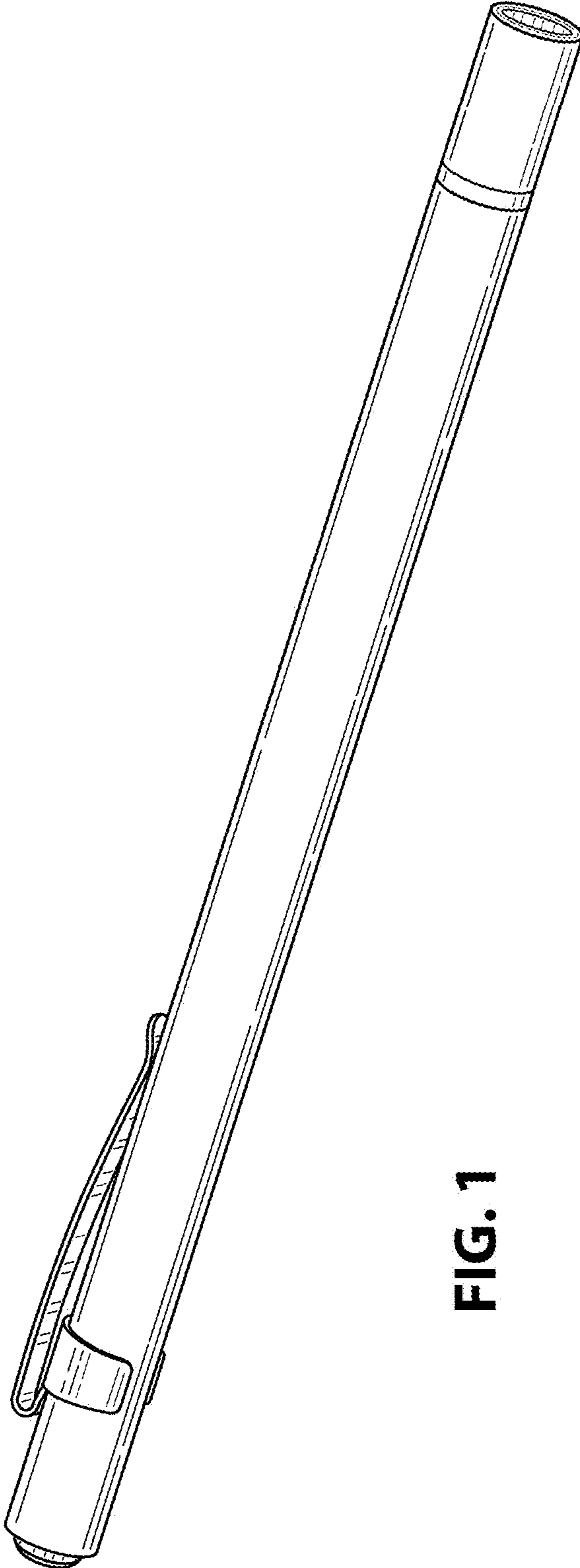


FIG. 1

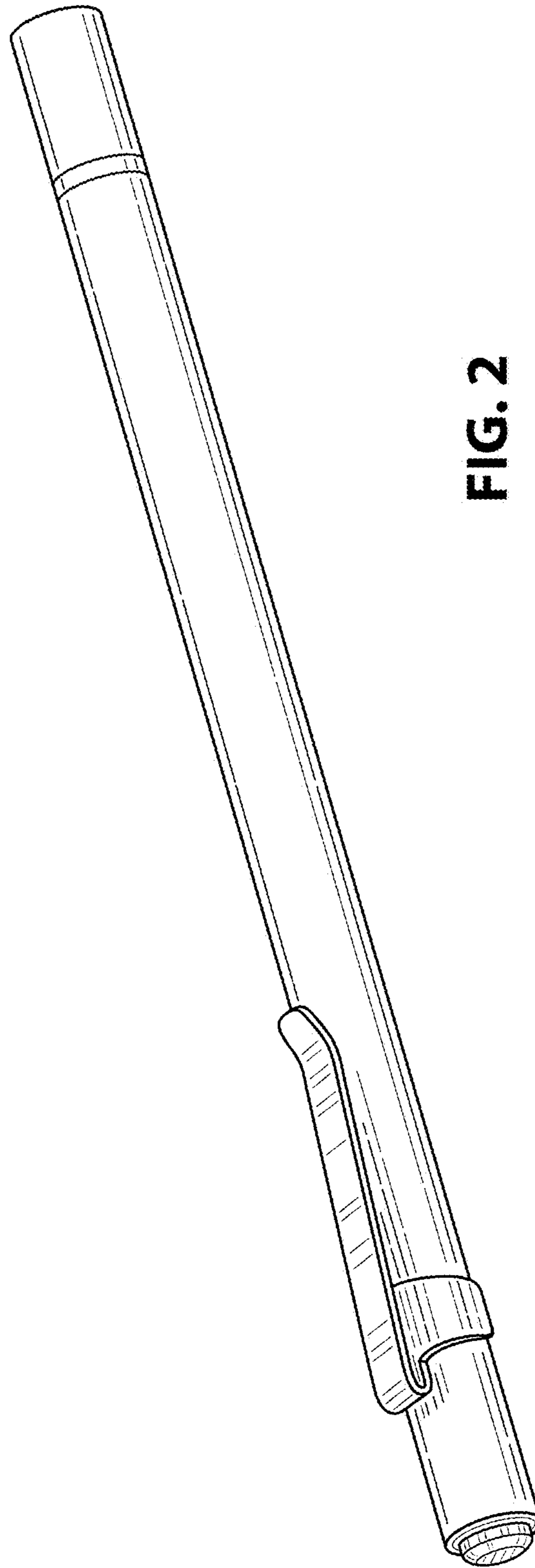


FIG. 2

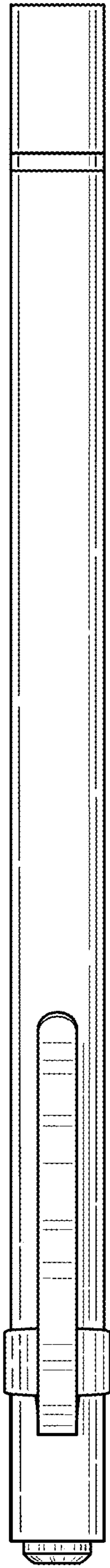


FIG. 3

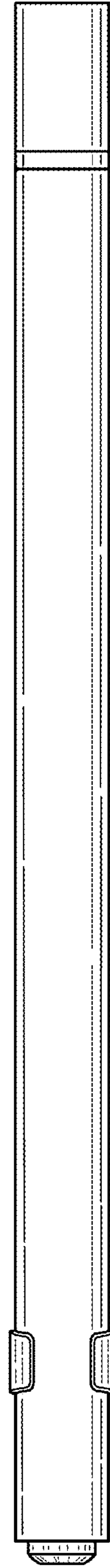


FIG. 4

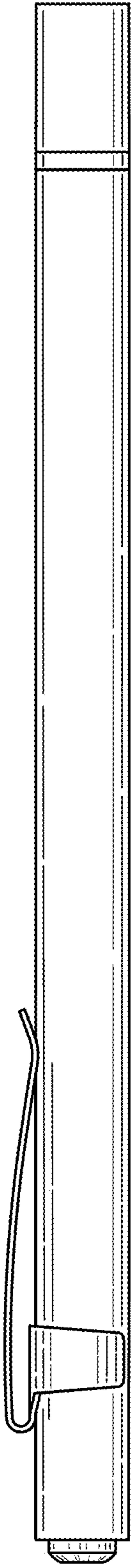


FIG. 5

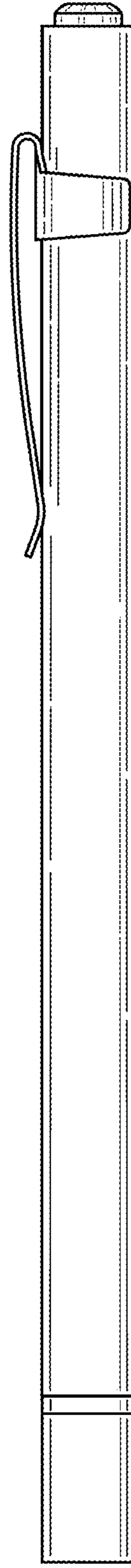


FIG. 6

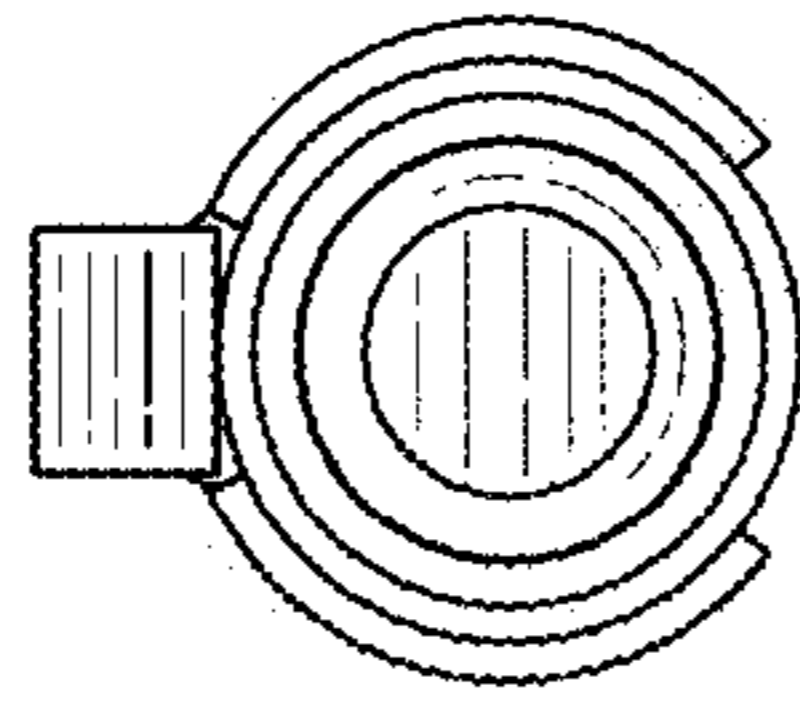


FIG. 8

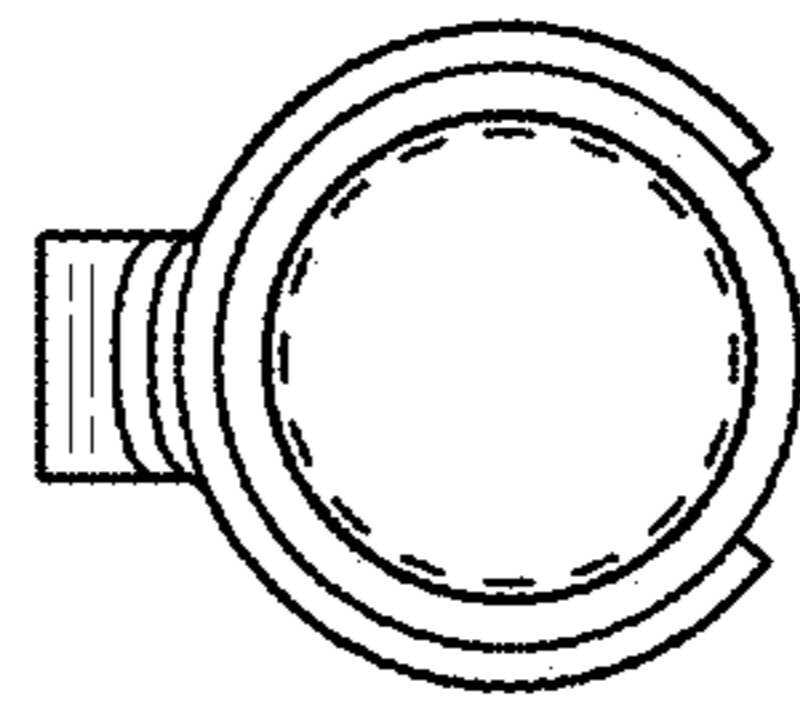


FIG. 7