



US00D822863S

(12) **United States Design Patent**
Kiska

(10) **Patent No.:** **US D822,863 S**

(45) **Date of Patent:** **** Jul. 10, 2018**

(54) **MOTORCYCLE LIGHT**

(71) Applicant: **KTM AG**, Mattighofen (AT)

(72) Inventor: **Gerald Kiska**, Anif-Salzburg (AT)

(73) Assignee: **KTM AG**, Mattighofen (AT)

(**) Term: **15 Years**

(21) Appl. No.: **29/602,822**

(22) Filed: **May 3, 2017**

(51) **LOC (11) Cl.** **26-06**

(52) **U.S. Cl.**
USPC **D26/28**

(58) **Field of Classification Search**
USPC D26/28-36; 362/80-83, 267-269,
362/459-468, 475-478, 485-487
CPC F21S 48/00; F21S 48/10; F21S 48/115;
F21S 48/1233; F21S 48/1266; F21S
48/1388; F21S 48/2268; F21V 21/04;
B60Q 9/13; B60Q 9/135; B60Q 9/1375
See application file for complete search history.

(56) **References Cited**

U.S. PATENT DOCUMENTS

D596,767 S * 7/2009 Idei D26/28
D617,020 S * 6/2010 Ishiguri D26/28

D713,072 S * 9/2014 Phutrakool D26/28
D713,573 S * 9/2014 Futamata D26/28
D721,194 S * 1/2015 Ito D26/28
D732,214 S * 6/2015 Ishiguri D26/28
D742,566 S * 11/2015 Kuriki D26/28
D780,354 S * 2/2017 Futamata D26/28

* cited by examiner

Primary Examiner — Marcus Jackson

(74) *Attorney, Agent, or Firm* — Lewis Roca Rothgerber
Christie LLP

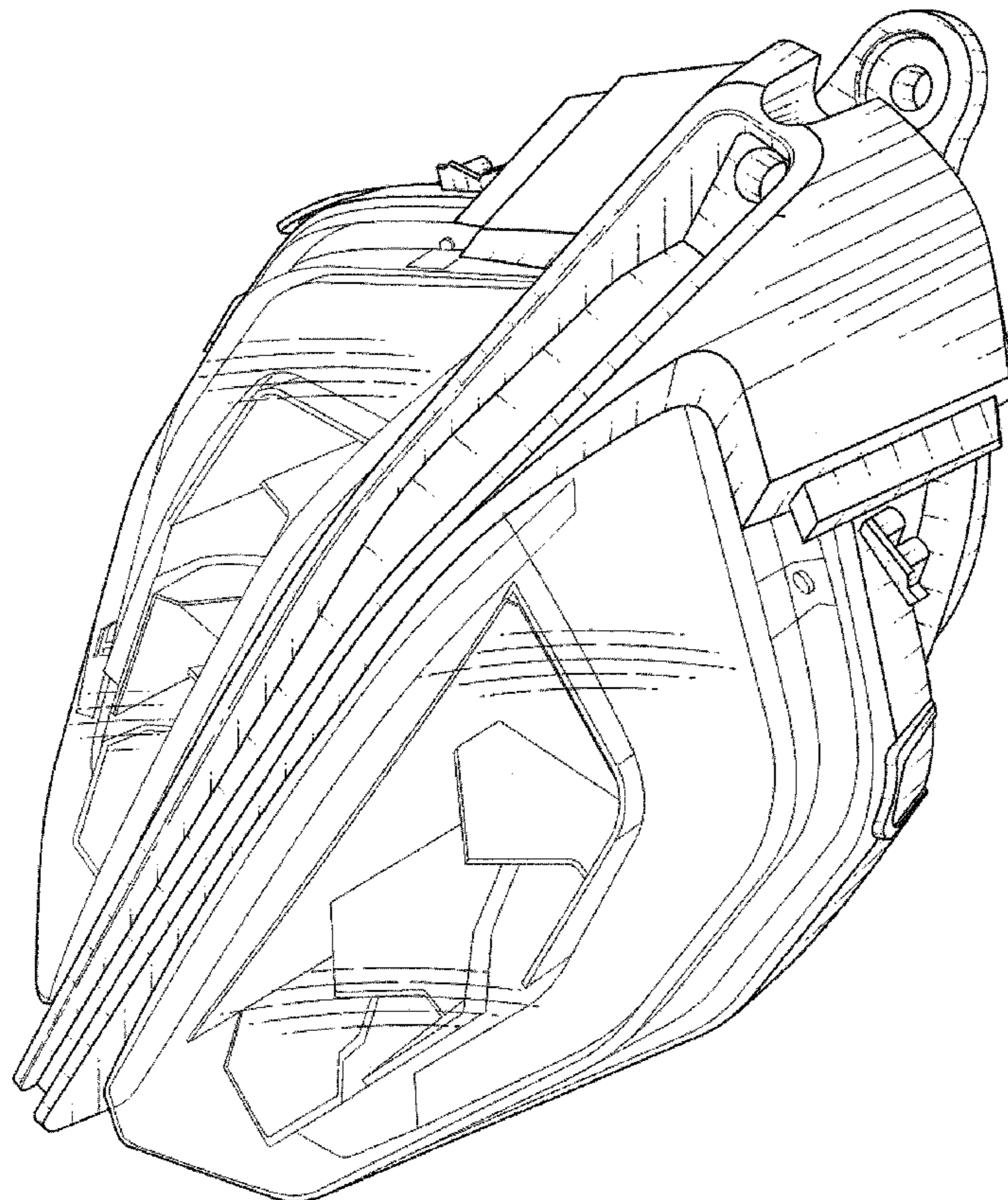
(57) **CLAIM**

The ornamental design for motorcycle light, as shown and
described.

DESCRIPTION

FIG. 1 is a front-left perspective view of the motorcycle
light;
FIG. 2 is a front view thereof;
FIG. 3 is a back view thereof;
FIG. 4 is a right side view thereof;
FIG. 5 is a left side view thereof;
FIG. 6 is a top view thereof; and,
FIG. 7 is a bottom view thereof.

1 Claim, 7 Drawing Sheets



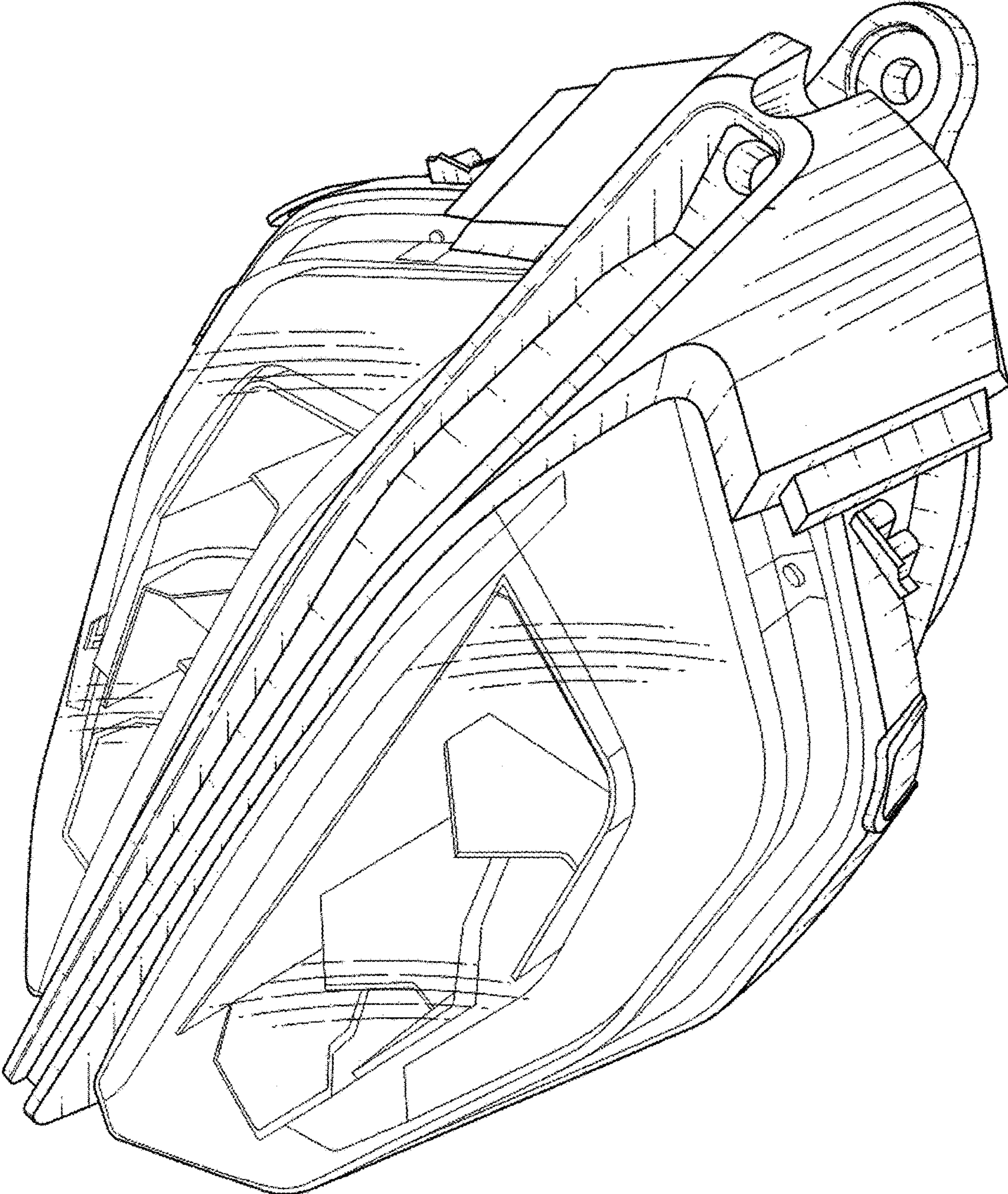


FIG. 1

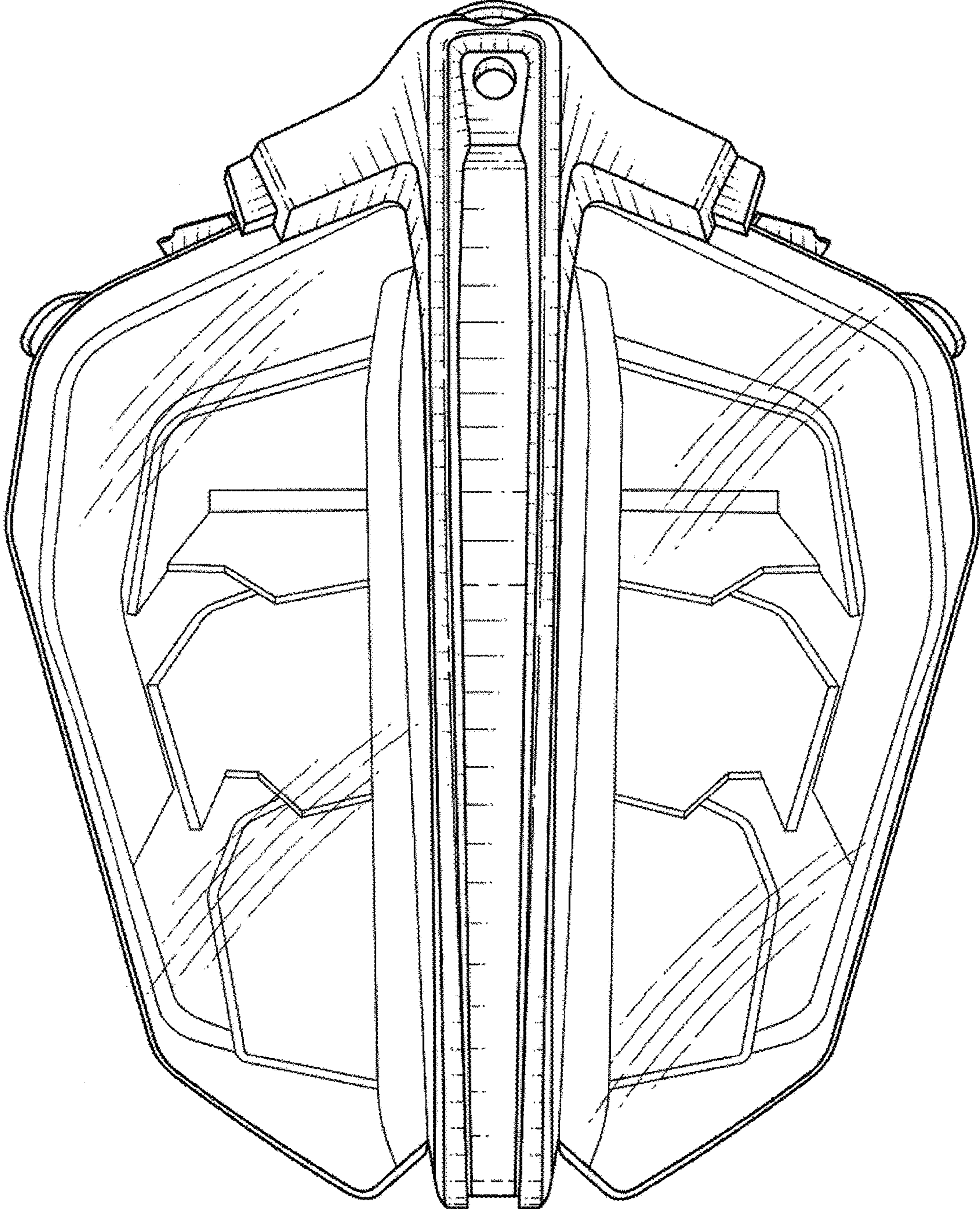


FIG. 2

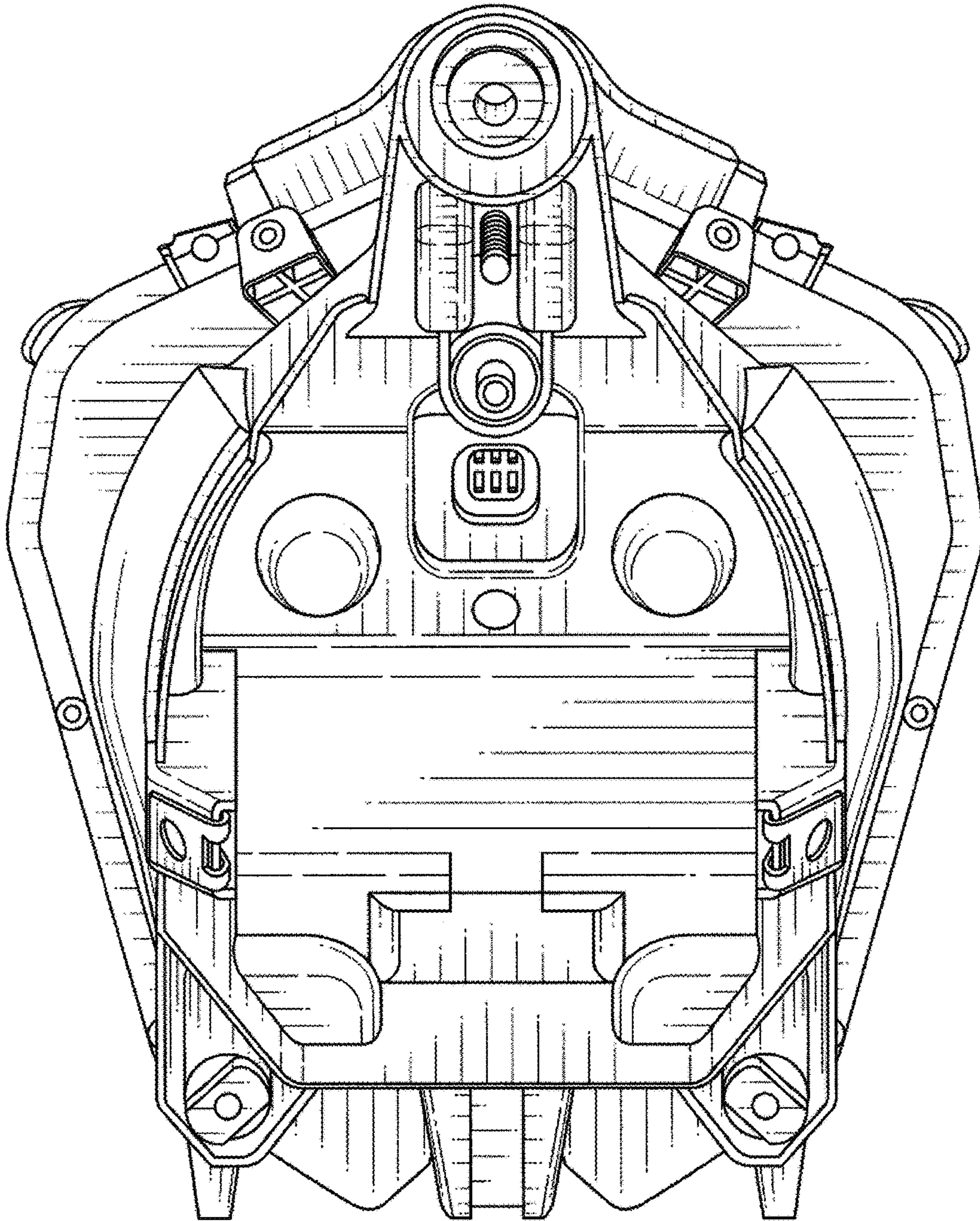


FIG. 3

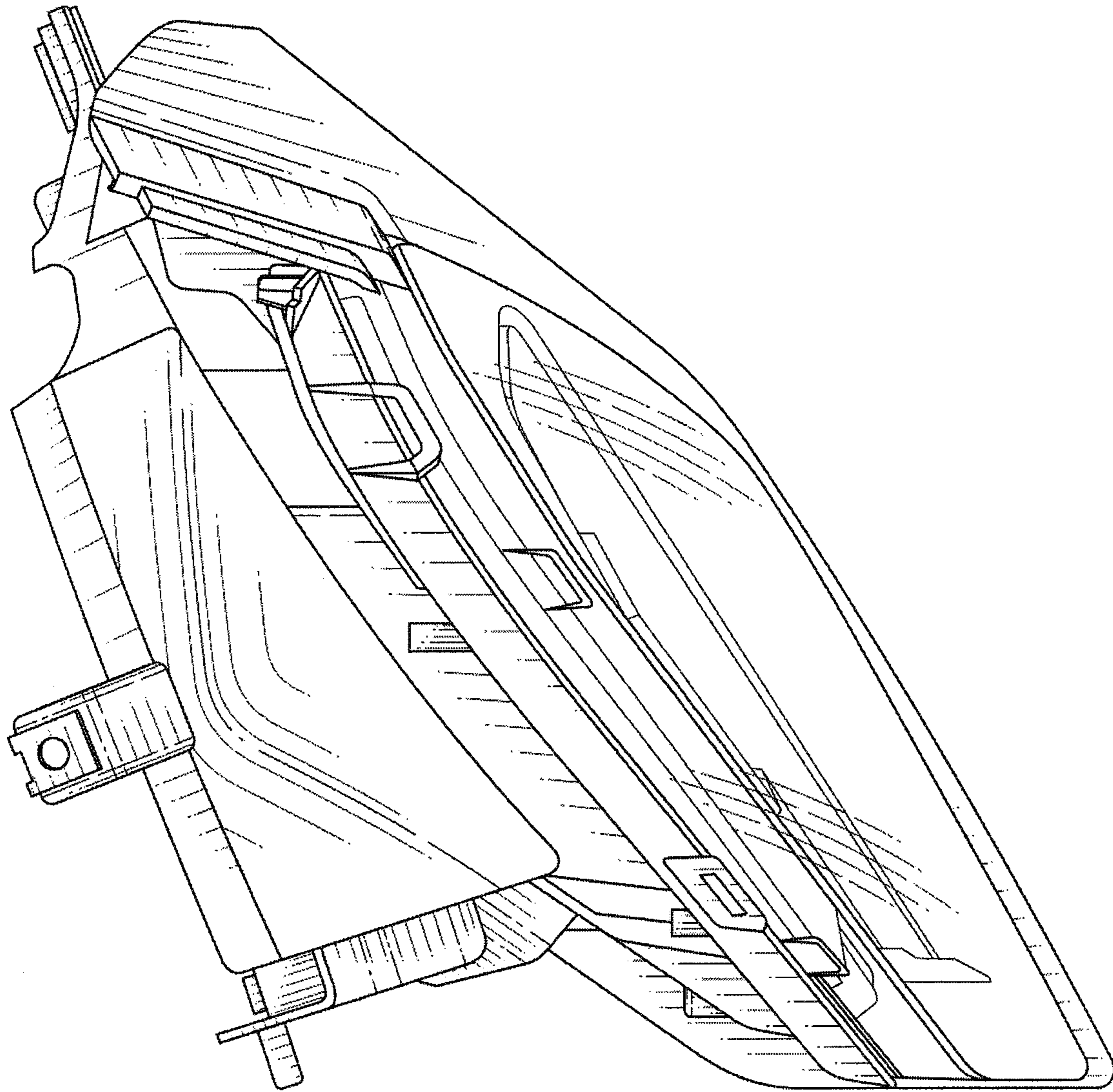


FIG. 4

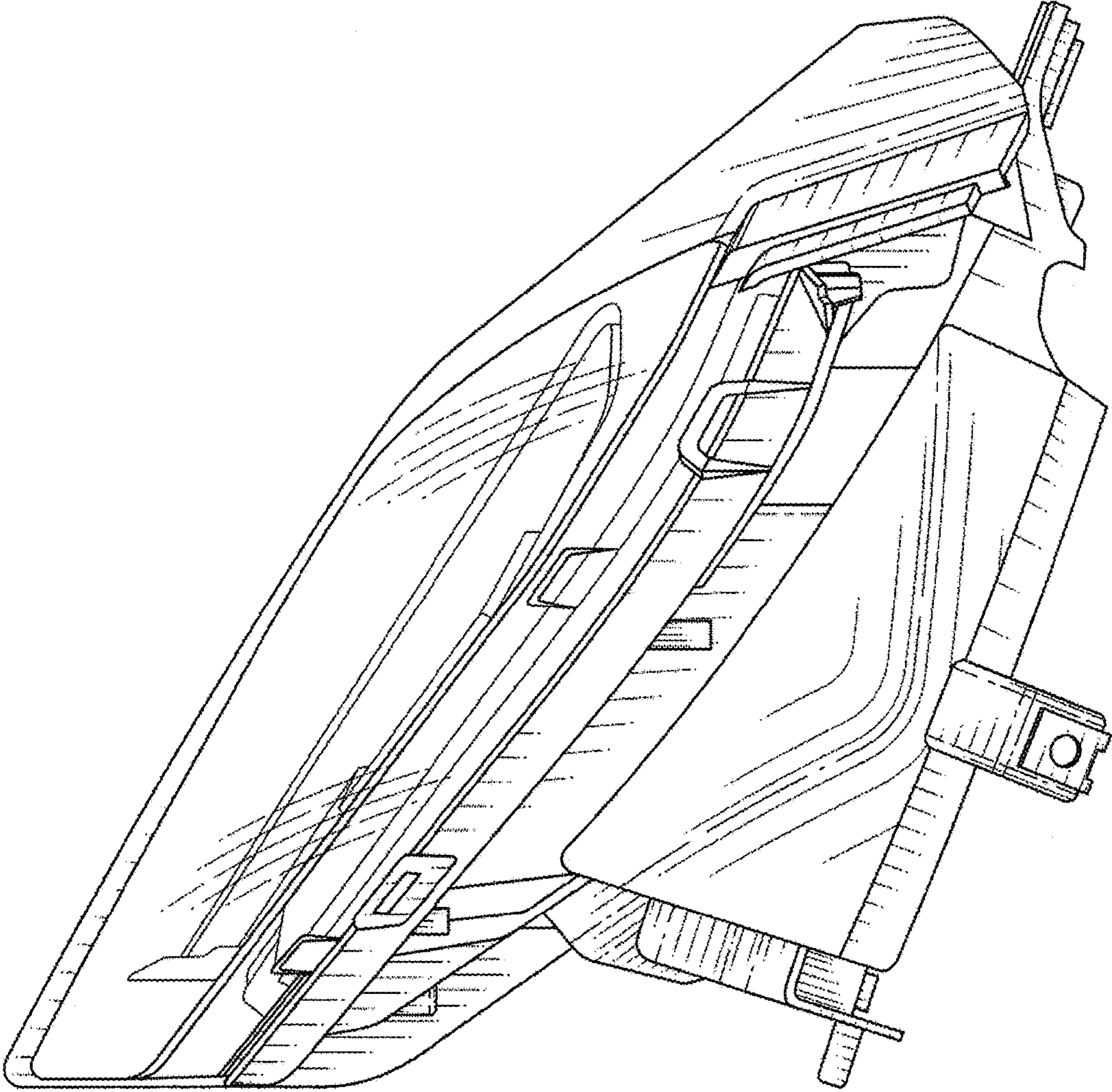


FIG. 5

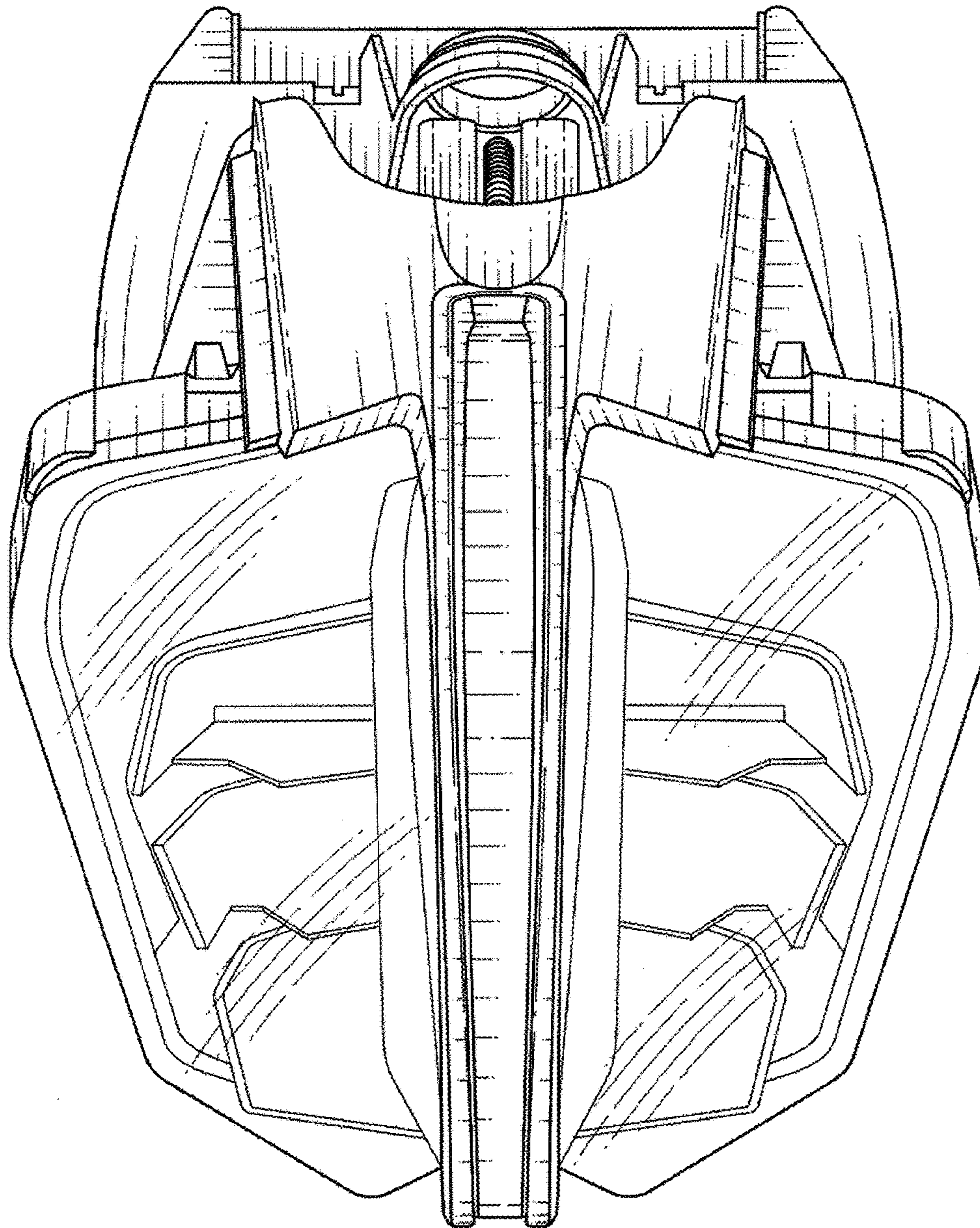


FIG. 6

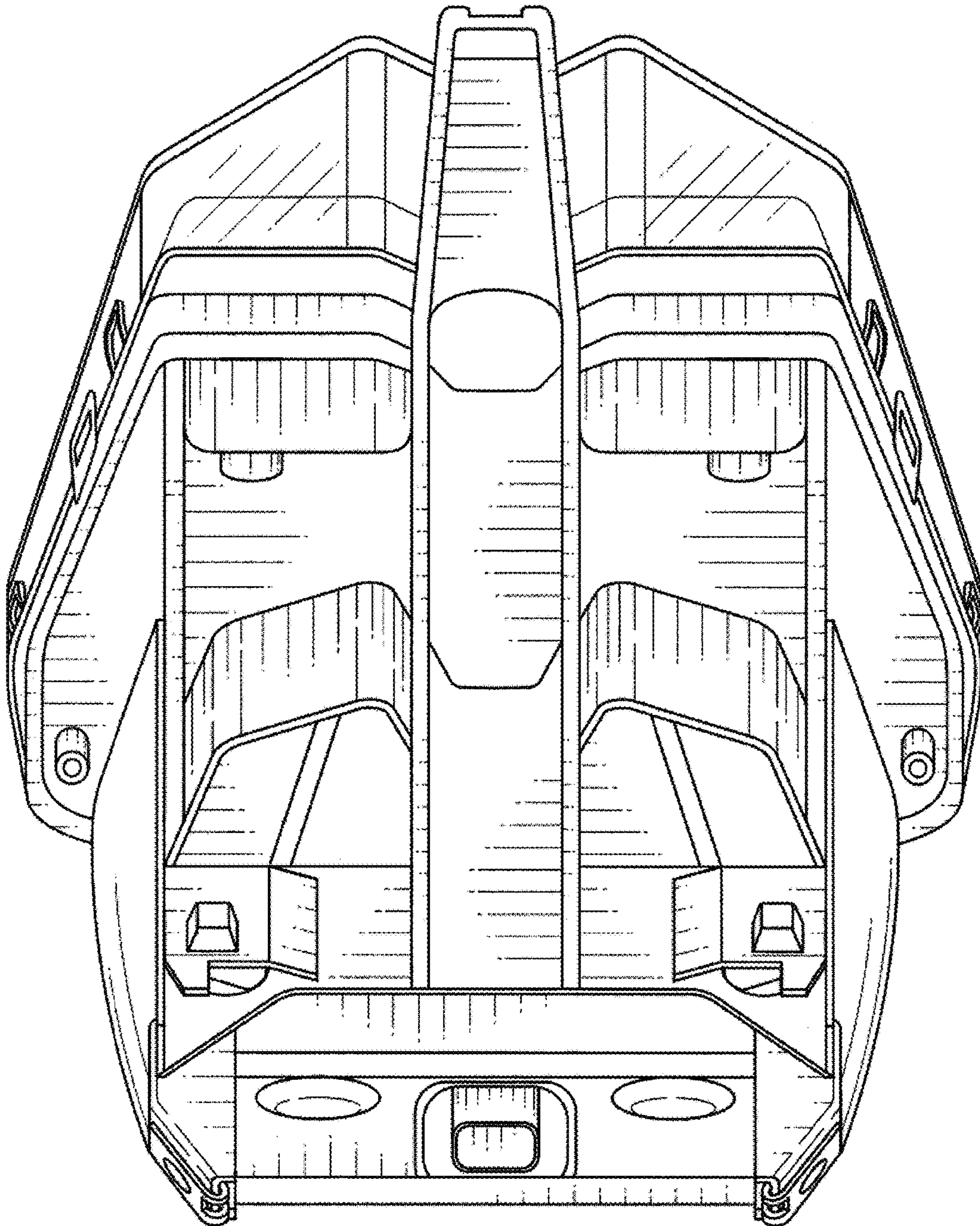


FIG. 7