

US00D822859S

(12) **United States Design Patent**
Wang et al.

(10) **Patent No.:** **US D822,859 S**
(45) **Date of Patent:** **** Jul. 10, 2018**

(54) **LED BULB**
(71) Applicant: **PHILIPS LIGHTING HOLDING B.V., Eindhoven (NL)**
(72) Inventors: **Sherry Wang, Shanghai (CN); Yong Jun Yj Hwang, Shanghai (CN)**
(73) Assignee: **PHILIPS LIGHTING HOLDING B.V., Eindhoven (NL)**
(**) Term: **15 Years**
(21) Appl. No.: **35/502,351**
(22) Filed: **Jan. 9, 2017**
(80) **Hague Agreement Data**
Int. Filing Date: **Jan. 9, 2017**
Int. Reg. No.: **DM/094284**
Int. Reg. Date: **Jan. 9, 2017**
Int. Reg. Pub. Date: **Jan. 27, 2017**

7,607,802 B2 * 10/2009 Kang F21S 8/086
362/294
7,708,452 B2 * 5/2010 Maxik H05K 1/189
174/254
D621,973 S * 8/2010 Grajcar D26/2
D621,974 S * 8/2010 Grajcar D26/2
D628,720 S * 12/2010 Wang D26/2
D629,929 S * 12/2010 Chen D26/2
D642,703 S * 8/2011 Li D26/2
D645,996 S * 9/2011 Wey D26/2
D650,495 S * 12/2011 Foo D26/2
D663,051 S * 7/2012 Xu D26/2
D673,698 S * 1/2013 Taylor D26/2
D683,866 S * 6/2013 Zeng D26/2
D701,980 S * 4/2014 Ke D26/2
D728,834 S * 5/2015 Taylor D26/2
D733,332 S * 6/2015 Lee D26/2
D741,517 S * 10/2015 Hwang D26/2
D742,557 S * 11/2015 Yoshizawa D26/2
D744,123 S * 11/2015 Ooshima D26/2
D755,414 S * 5/2016 Taylor D26/2
D755,415 S * 5/2016 Taylor D26/2
D768,316 S * 10/2016 Fleming D26/2
2011/0101861 A1 * 5/2011 Yoo F21V 3/02
315/35

(Continued)

(30) **Foreign Application Priority Data**
Jul. 14, 2016 (EM) 003305820-0001
(51) **LOC (11) Cl.** **26-04**
(52) **U.S. Cl.**
USPC **D26/2**
(58) **Field of Classification Search**
USPC D26/1-4
CPC H01R 5/00; H01R 13/46; H01R 13/514;
H01R 31/048; H01R 31/02; H01J 5/00;
H01J 5/16; H01J 15/00; H01J 5/48; H01J
5/50; H01J 19/54; F21V 5/00
See application file for complete search history.

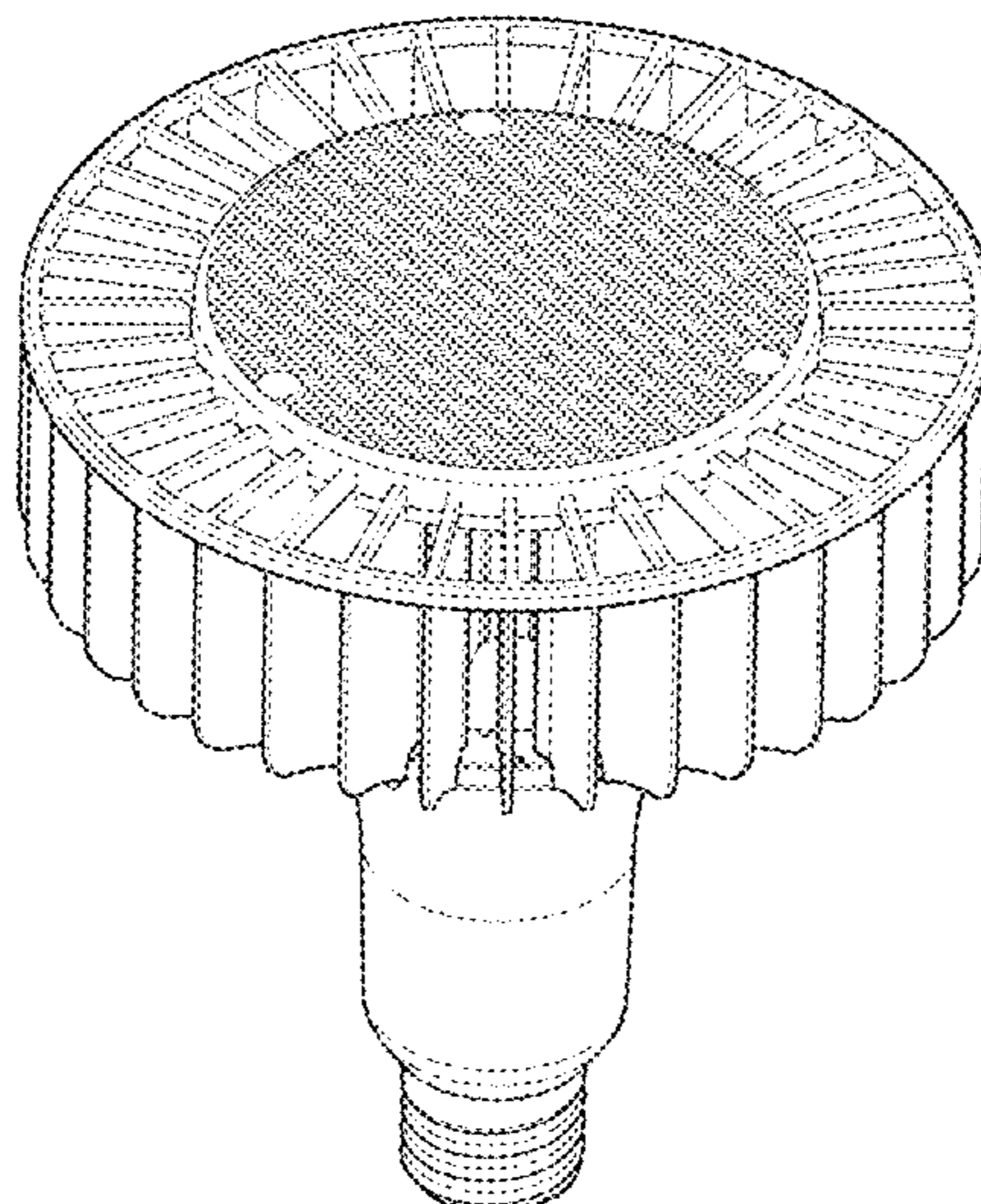
(56) **References Cited**
U.S. PATENT DOCUMENTS
D546,980 S * 7/2007 Lo D26/2
D566,300 S * 4/2008 Lo D26/2

Primary Examiner — Darlington Ly

(57) **CLAIM**
The ornamental design for an LED bulb, as shown and described.

DESCRIPTION
1. LED bulb
1.1 is a top and front perspective view of an LED bulb showing our new design;
1.2 is a front elevation view thereof;
1.3 is a rear elevation view thereof;
1.4 is a right side elevation view thereof;
1.5 is a left side elevation view thereof;
1.6 is a top plan view thereof; and
1.7 is a bottom plan view thereof.

1 Claim, 7 Drawing Sheets



(56)

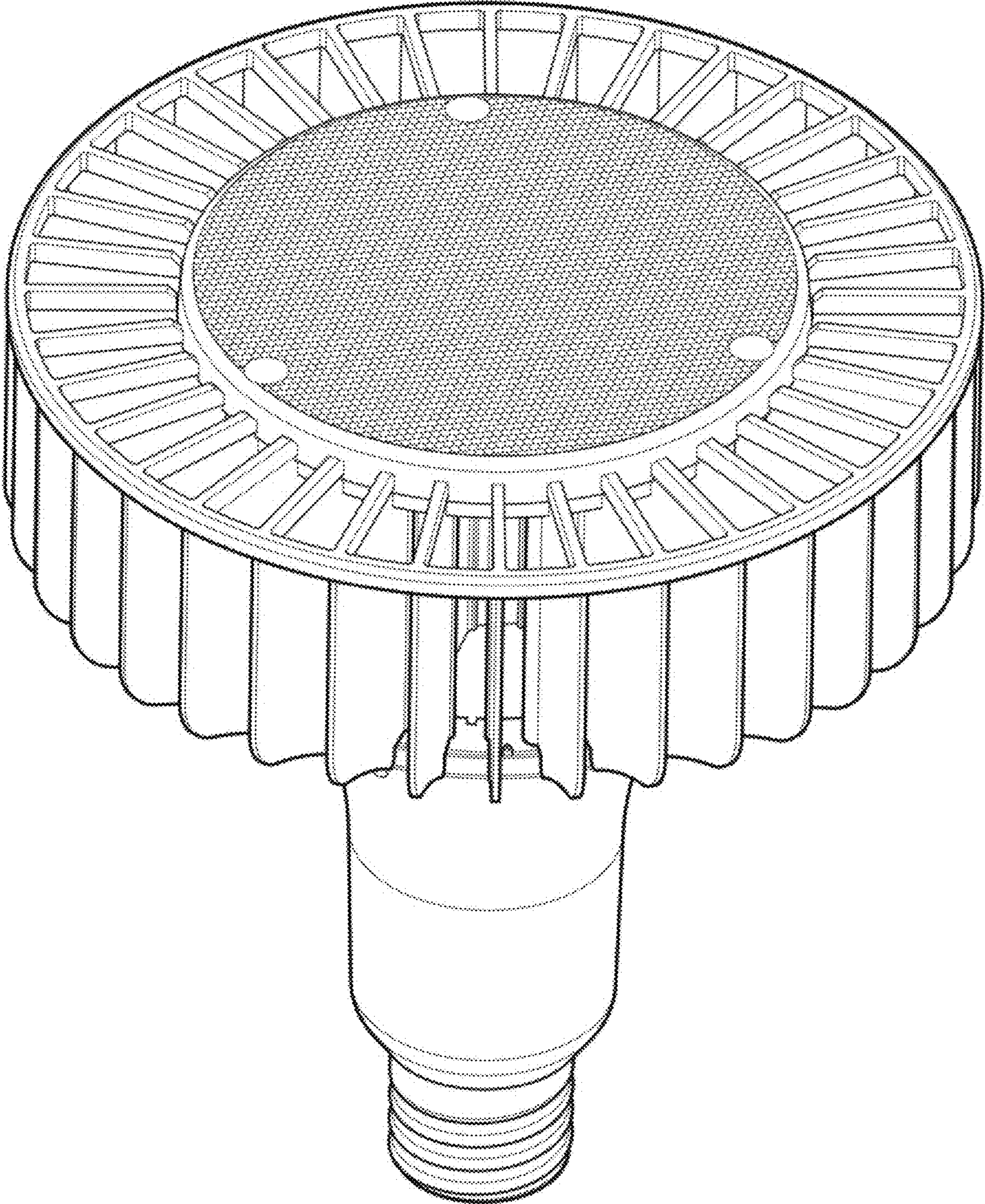
References Cited

U.S. PATENT DOCUMENTS

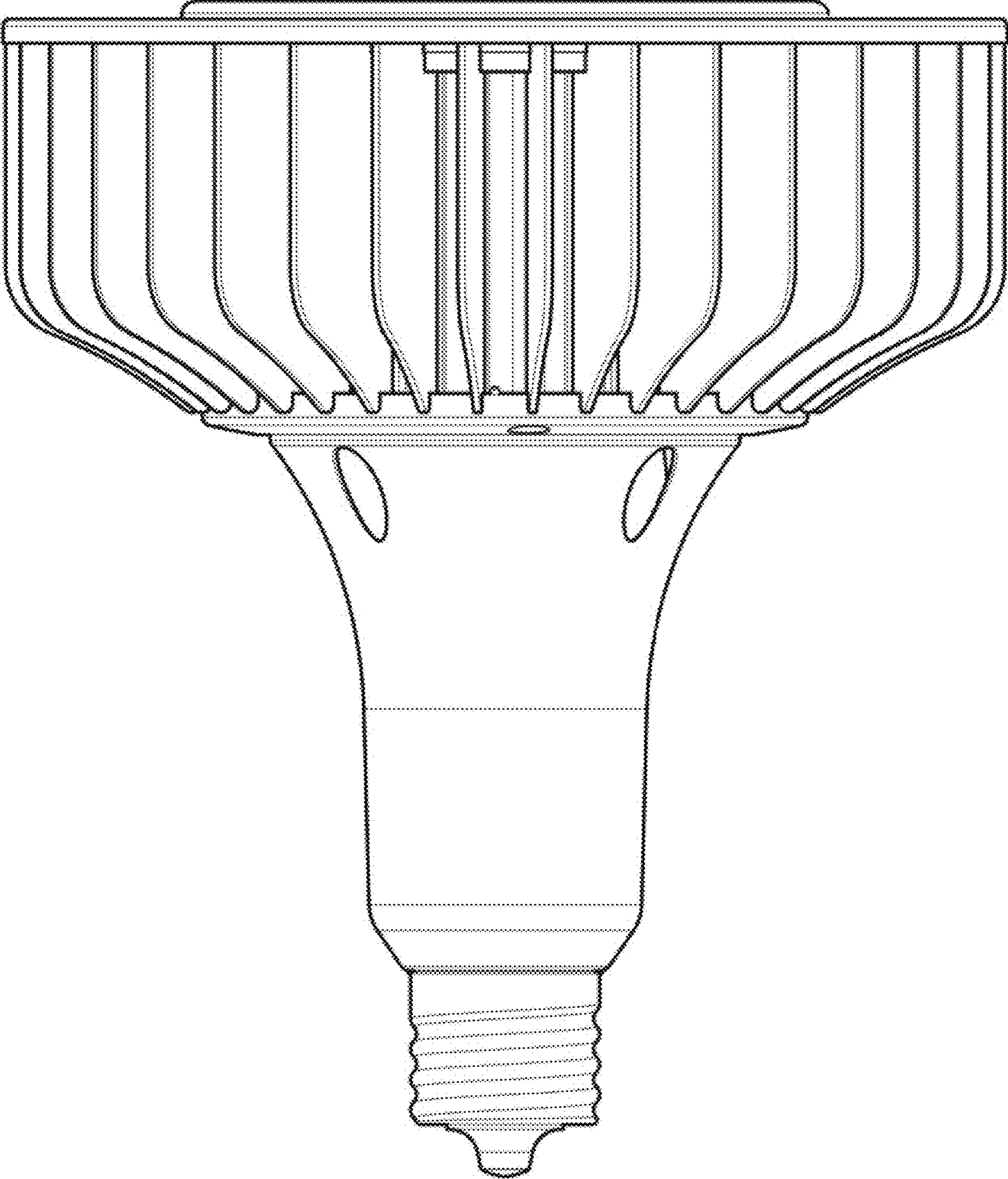
2011/0298371 A1* 12/2011 Brandes F21V 23/005
315/32
2012/0106153 A1* 5/2012 Huang F21K 9/232
362/249.02

* cited by examiner

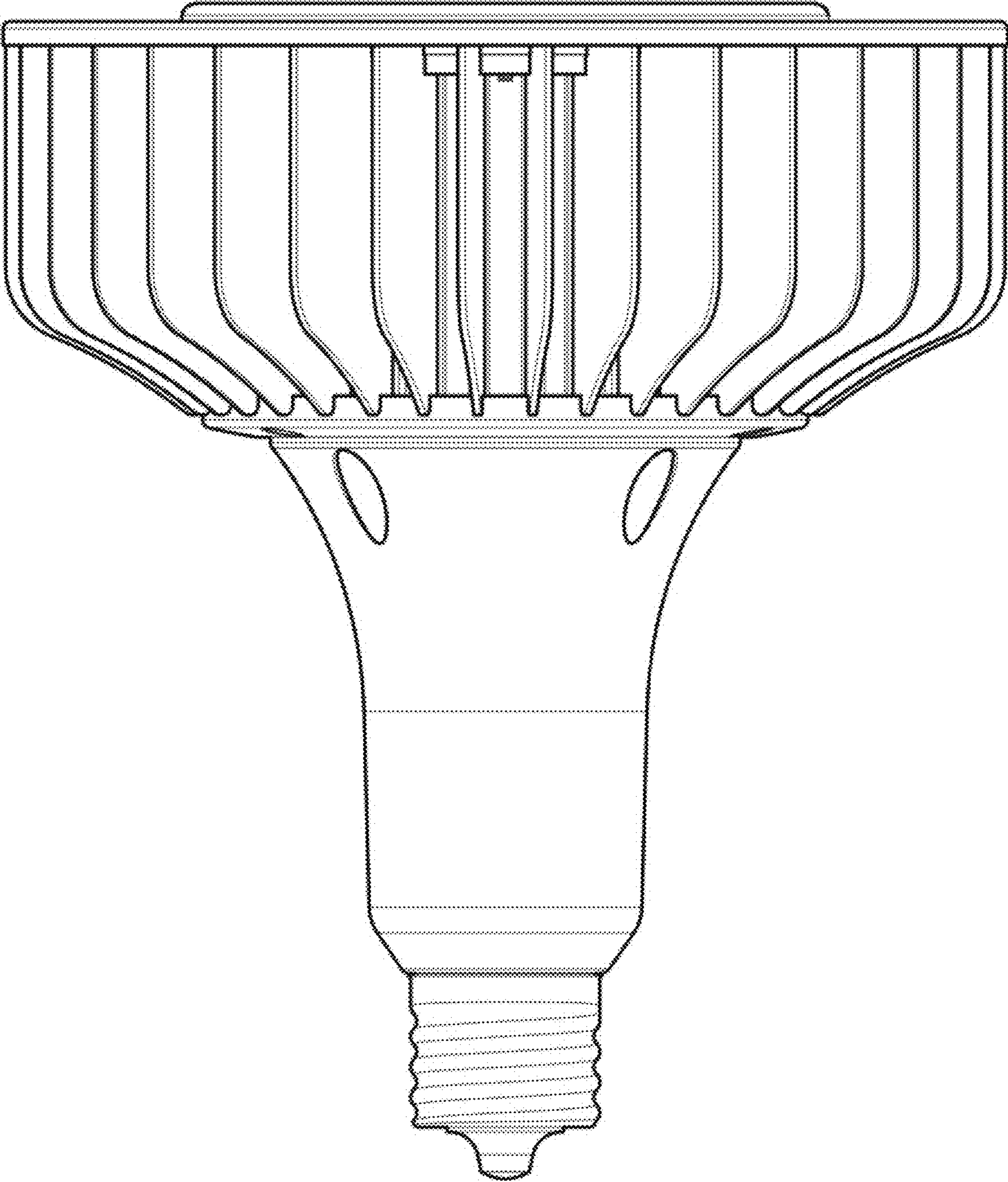
1.1



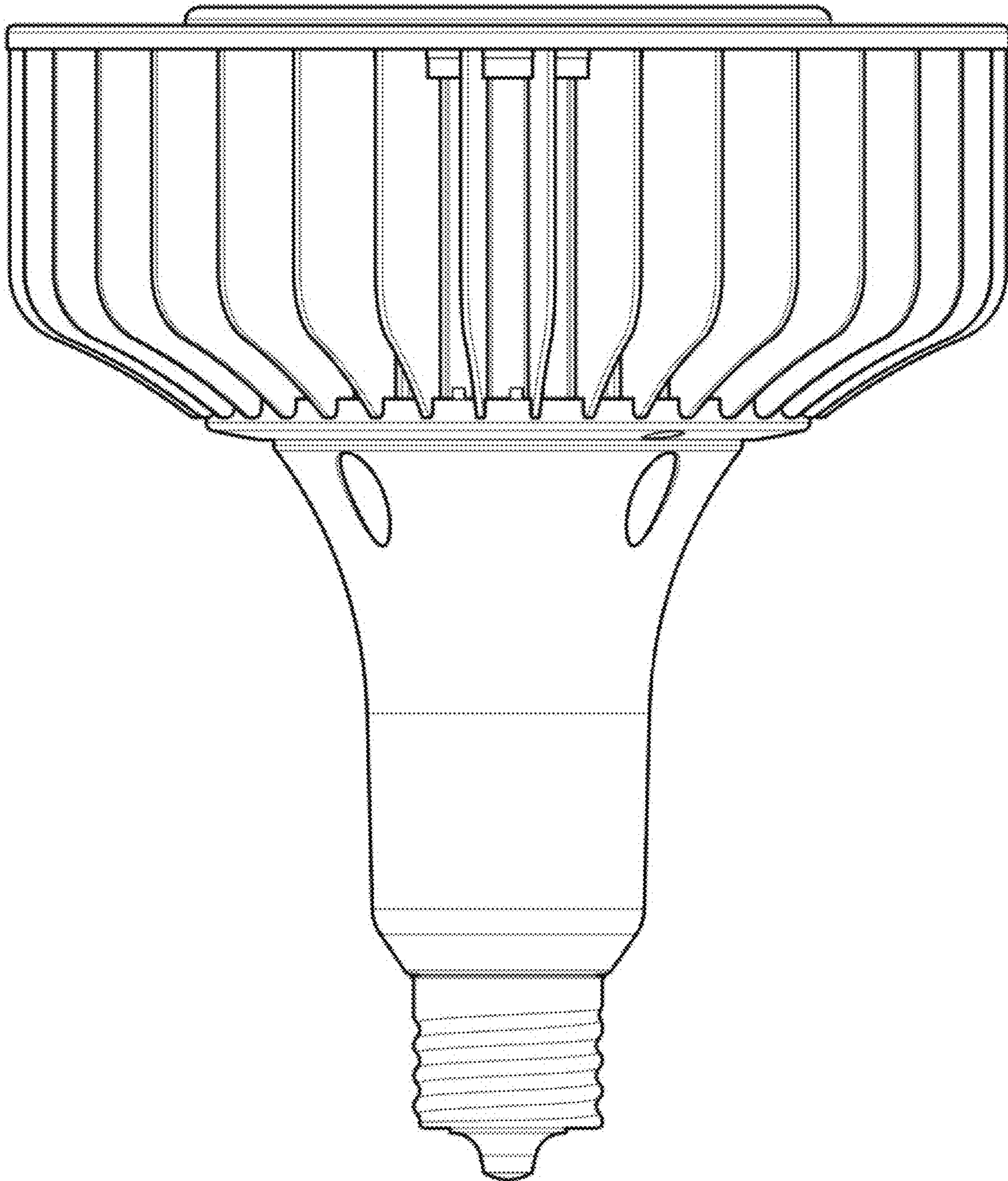
1.2



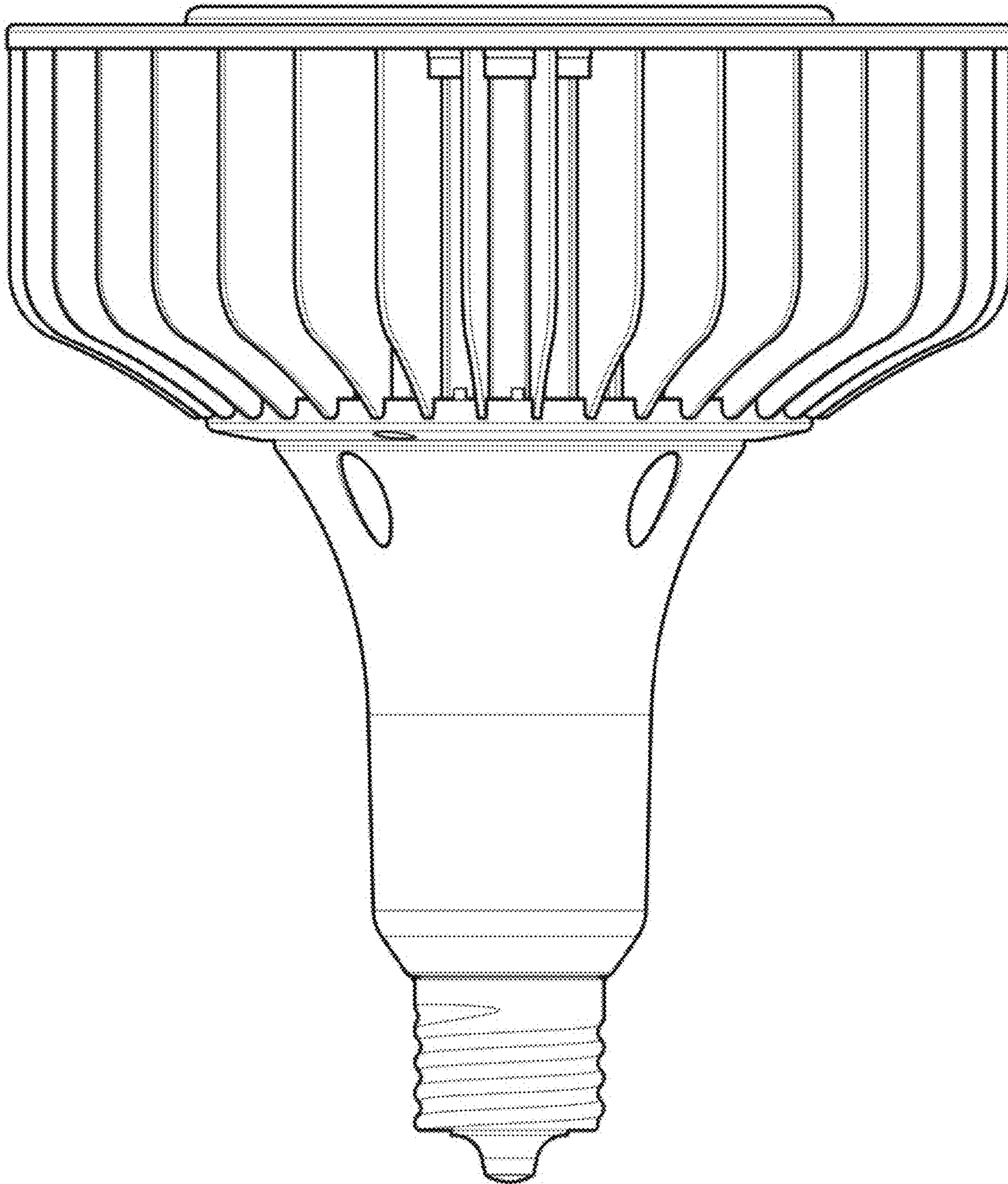
1.3



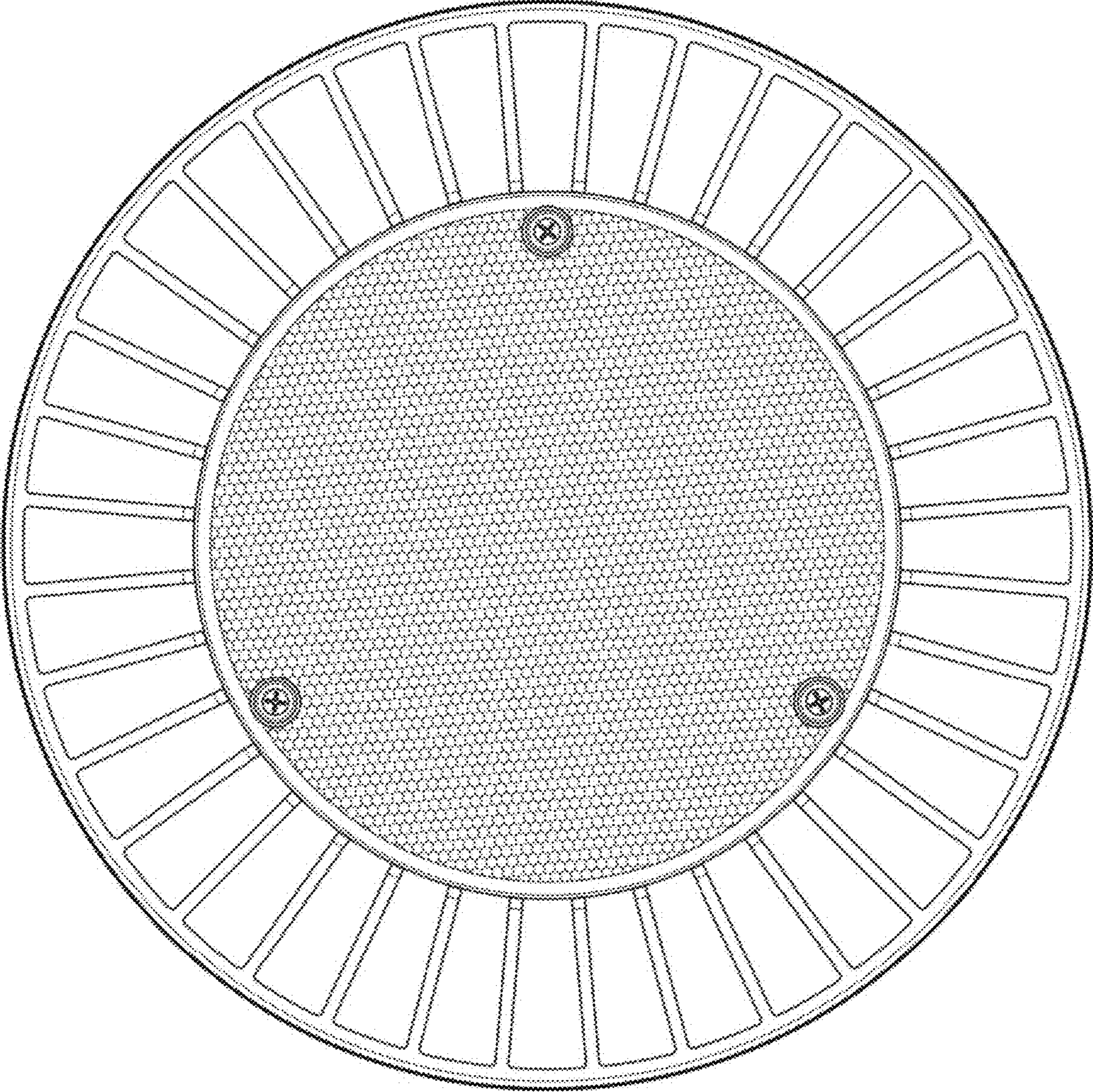
1.4



1.5



1.6



1.7

