



US00D822858S

(12) **United States Design Patent**  
**Zhou et al.**

(10) **Patent No.:** **US D822,858 S**  
(45) **Date of Patent:** **\*\* Jul. 10, 2018**

(54) **LIGHT BULB**

(71) Applicant: **MAINHOUSE (XIAMEN) ELECTRONICS CO., LTD.**, Xiamen (CN)

(72) Inventors: **Nanqing Zhou**, Xiamen (CN);  
**Rongkui Wu**, Xiamen (CN)

(73) Assignee: **MAINHOUSE (XIAMEN) ELECTRONICS CO., LTD.**, Xiamen, Fujian (CN)

(\*\*) Term: **15 Years**

(21) Appl. No.: **29/605,287**

(22) Filed: **May 25, 2017**

(51) **LOC (11) Cl.** ..... **26-04**

(52) **U.S. Cl.**  
USPC ..... **D26/2**

(58) **Field of Classification Search**  
USPC ..... D26/1-4; 313/313, 314, 315, 316, 317, 313/318, 493; 315/52, 53, 56, 57, 58  
CPC ..... H01R 5/00; H01R 13/46; H01R 13/514; H01R 31/048; H01R 31/02; H01J 5/00; H01J 5/16; H01J 15/00; H01J 5/48; H01J 5/50; H01J 19/54; F21V 5/00

See application file for complete search history.

(56) **References Cited**

U.S. PATENT DOCUMENTS

D627,085 S	*	11/2010	Duan	.....	D26/2
D629,929 S	*	12/2010	Chen	.....	D26/2
D633,226 S	*	2/2011	Katsaros	.....	D26/2
D634,451 S	*	3/2011	de Visser	.....	D26/2
D642,704 S	*	8/2011	Hagens	.....	D26/2
D692,596 S	*	10/2013	Webb	.....	D26/2

\* cited by examiner

*Primary Examiner* — Marcus Jackson

(74) *Attorney, Agent, or Firm* — Leong C. Lei

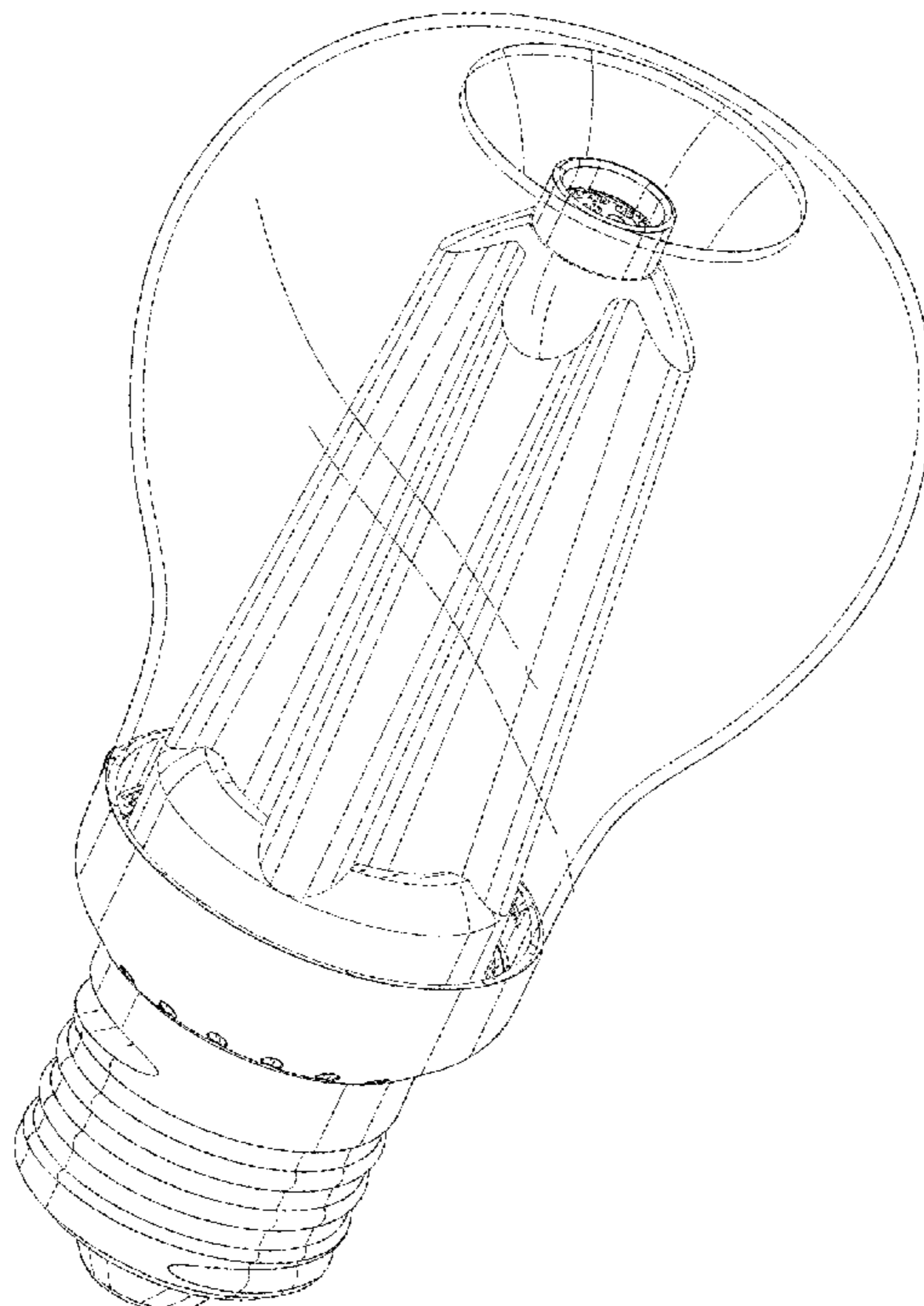
(57) **CLAIM**

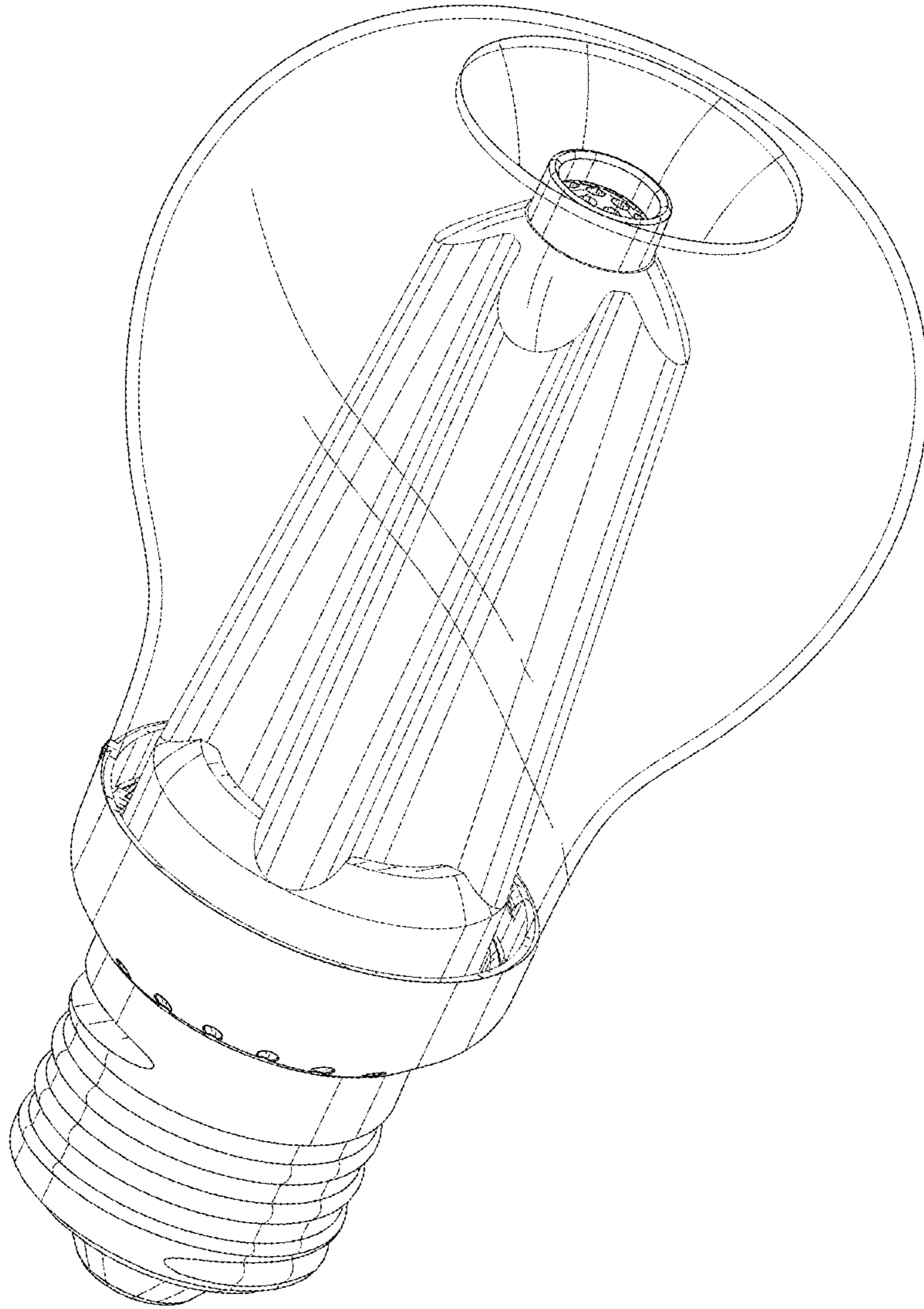
The ornamental design for a light bulb, as shown and described.

**DESCRIPTION**

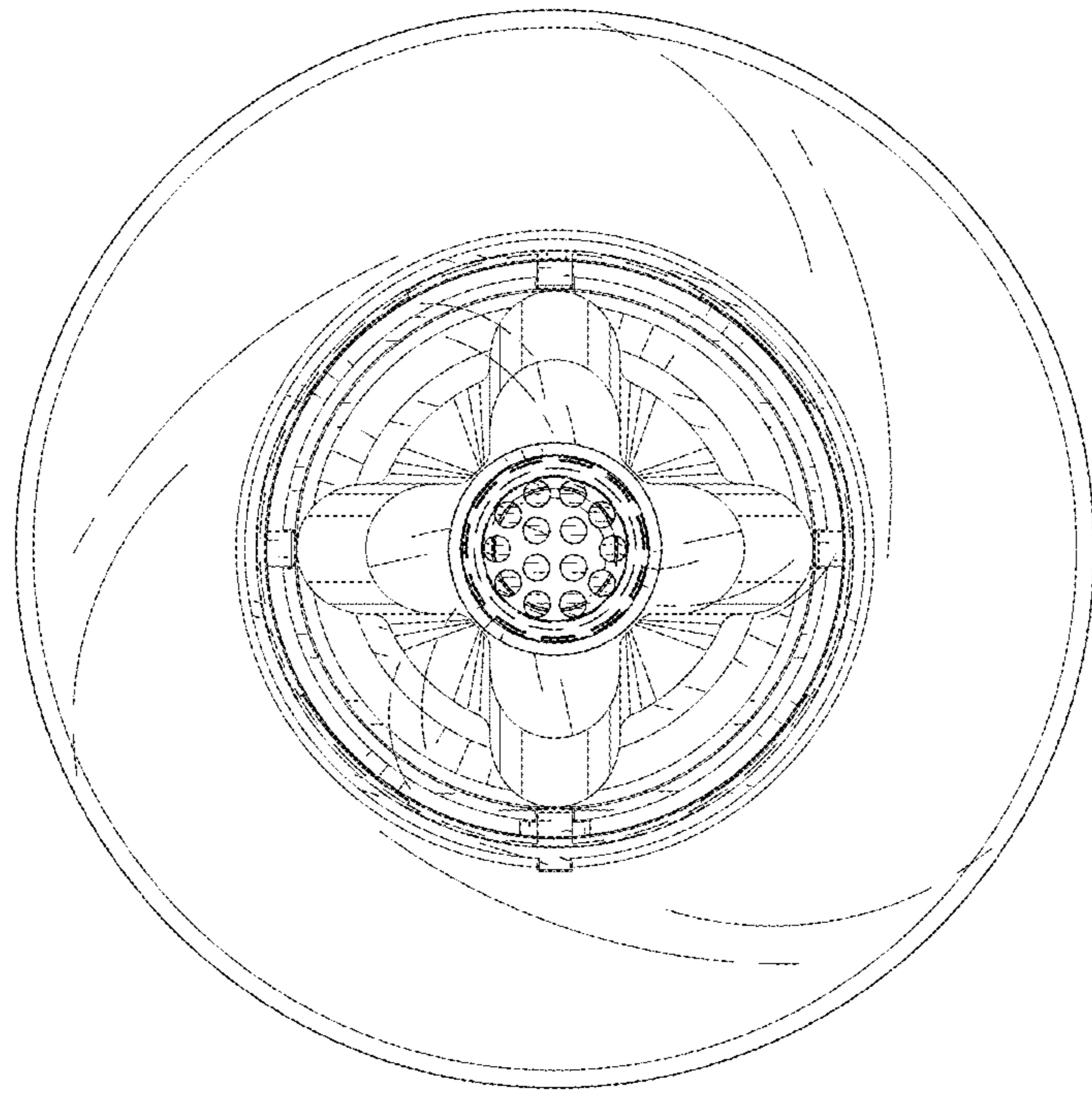
FIG. 1 is a perspective view of light bulb showing my present design;  
FIG. 2 is a front view thereof;  
FIG. 3 is a rear view thereof;  
FIG. 4 is a left side view thereof;  
FIG. 5 is a right side view thereof;  
FIG. 6 is a top view thereof;  
FIG. 7 is a bottom view thereof; and,  
FIG. 8 is a rear perspective view of a light bulb, showing my present design in an upside down position.

**1 Claim, 8 Drawing Sheets**

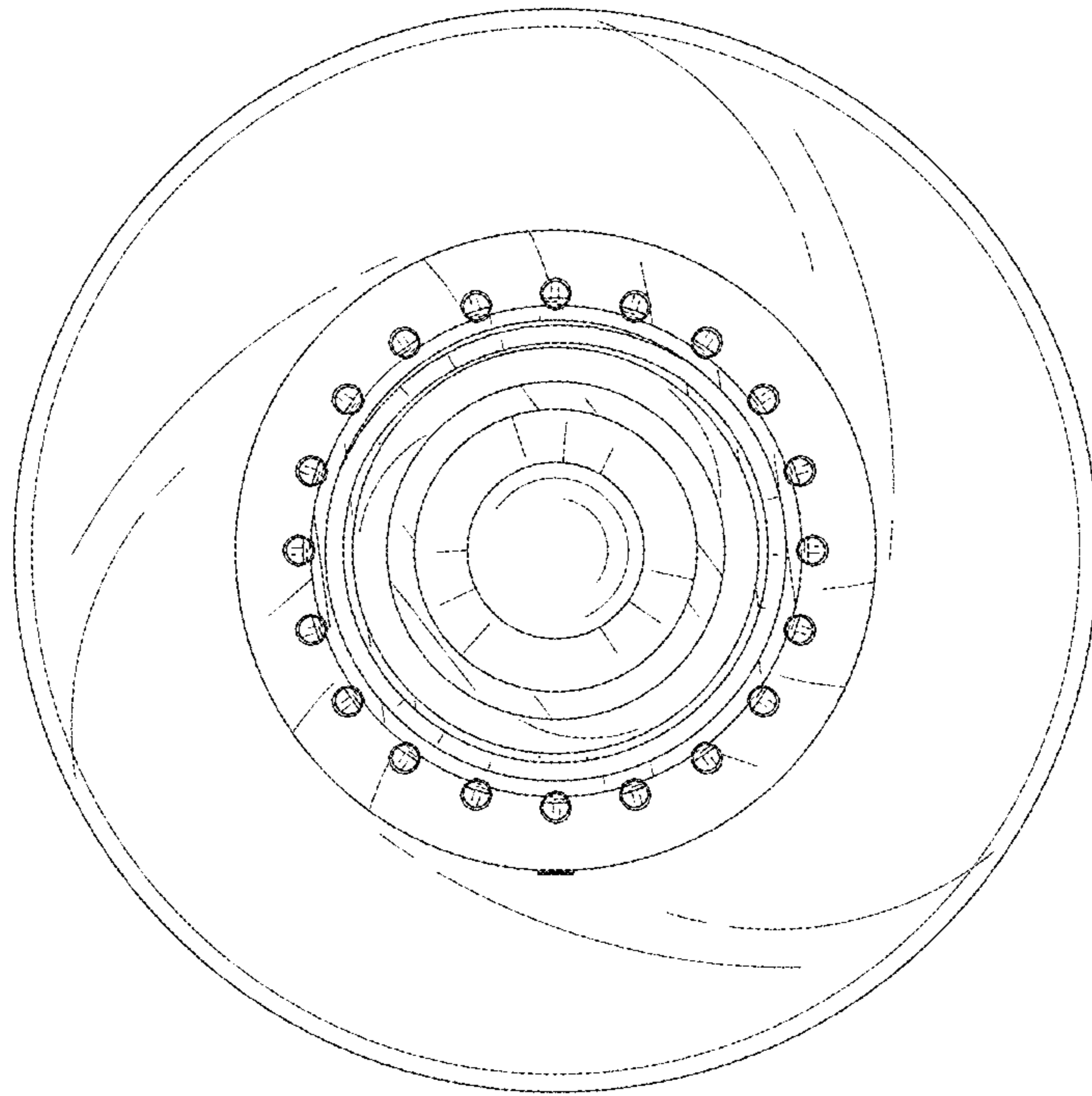




**FIG. 1**



**FIG. 2**



**FIG. 3**

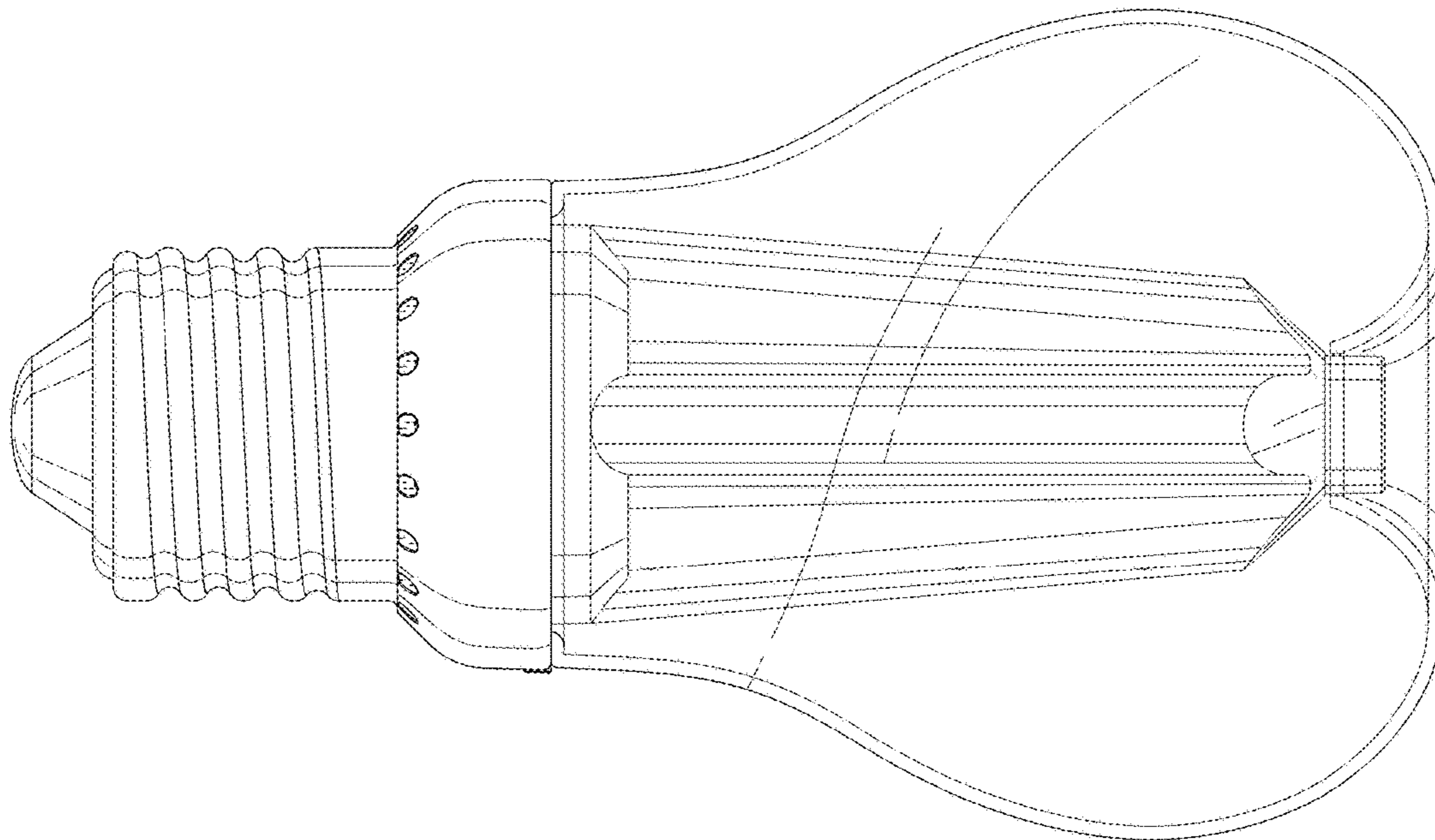


FIG. 4

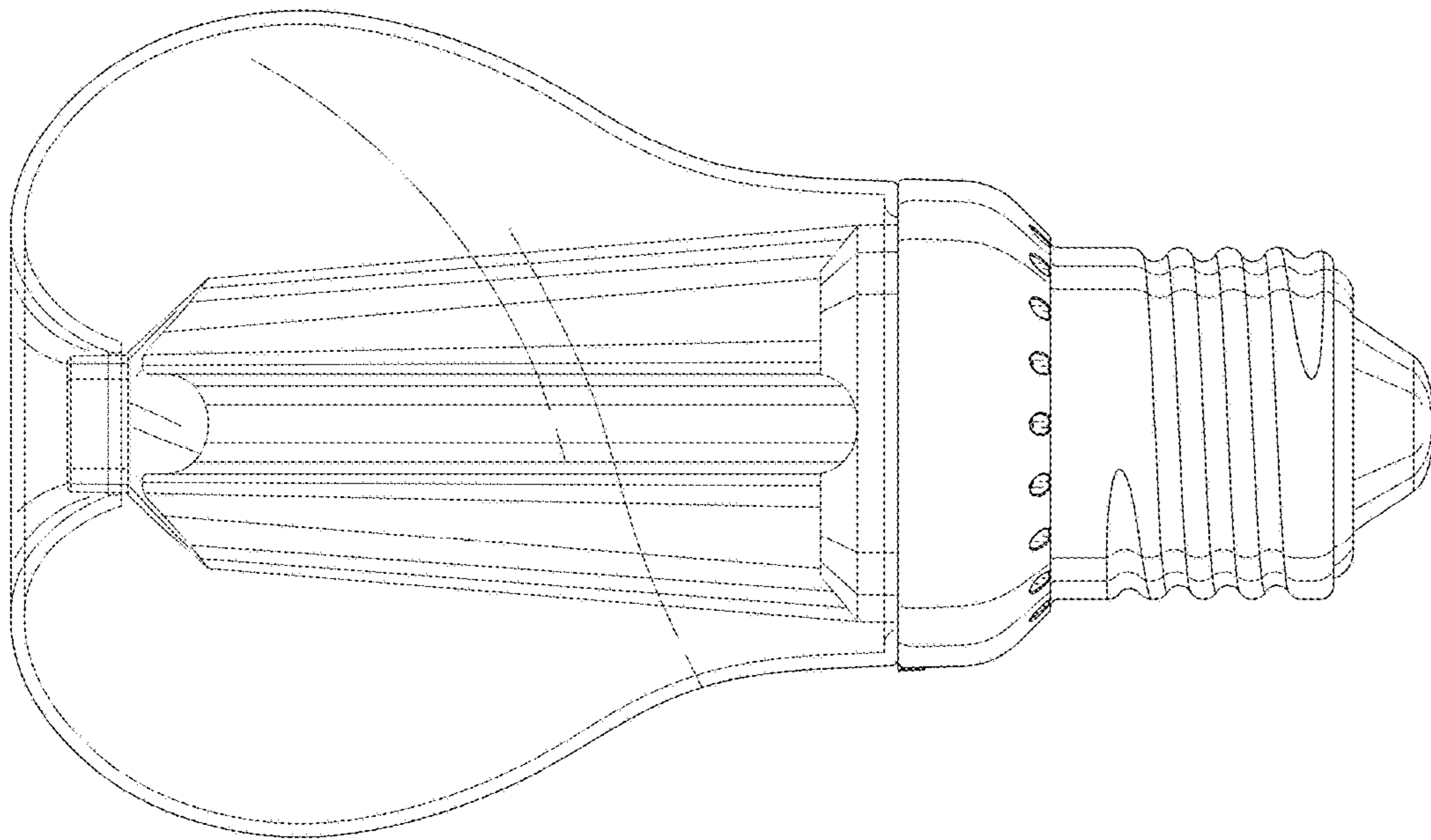
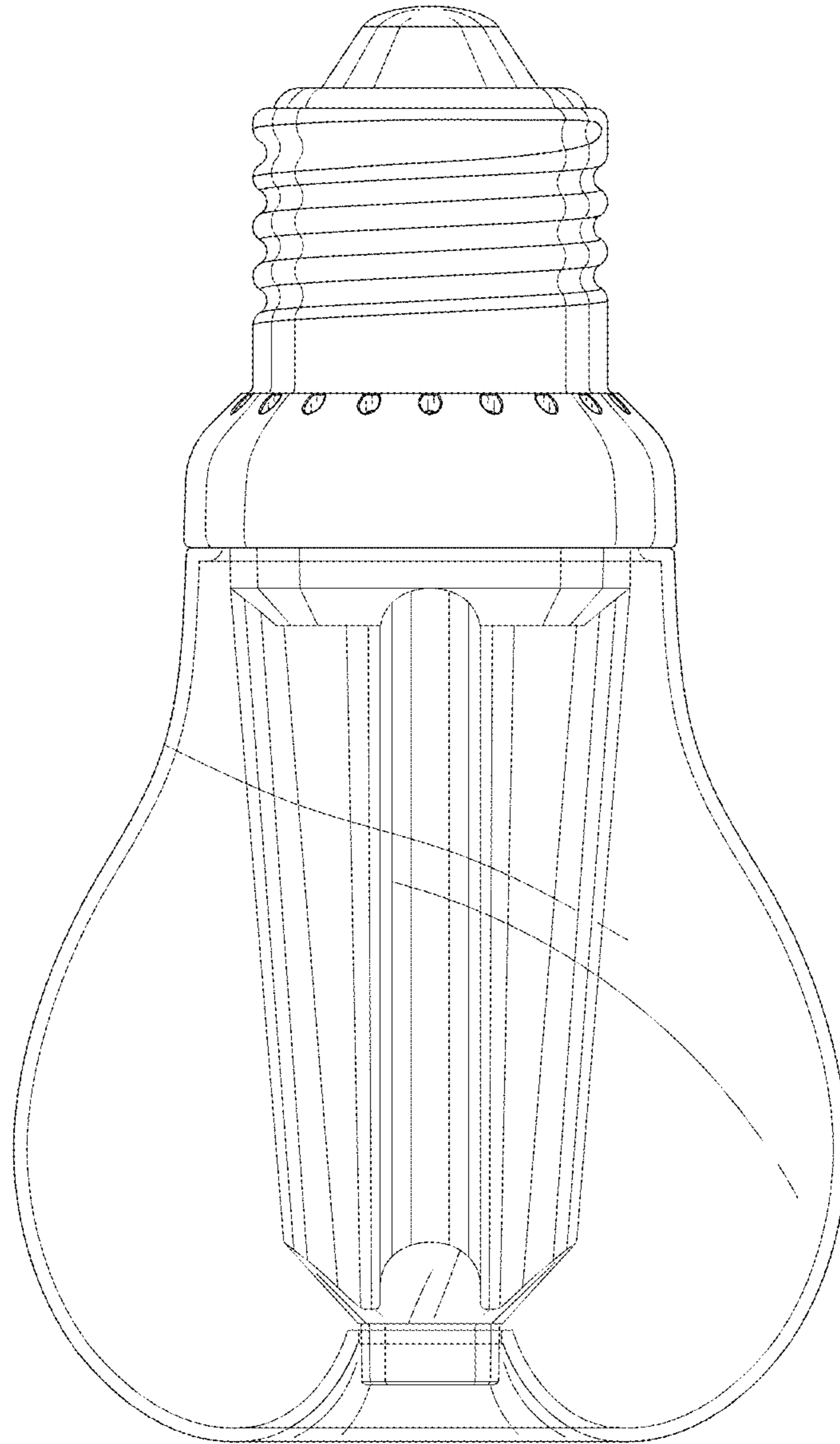


FIG. 5



**FIG. 6**

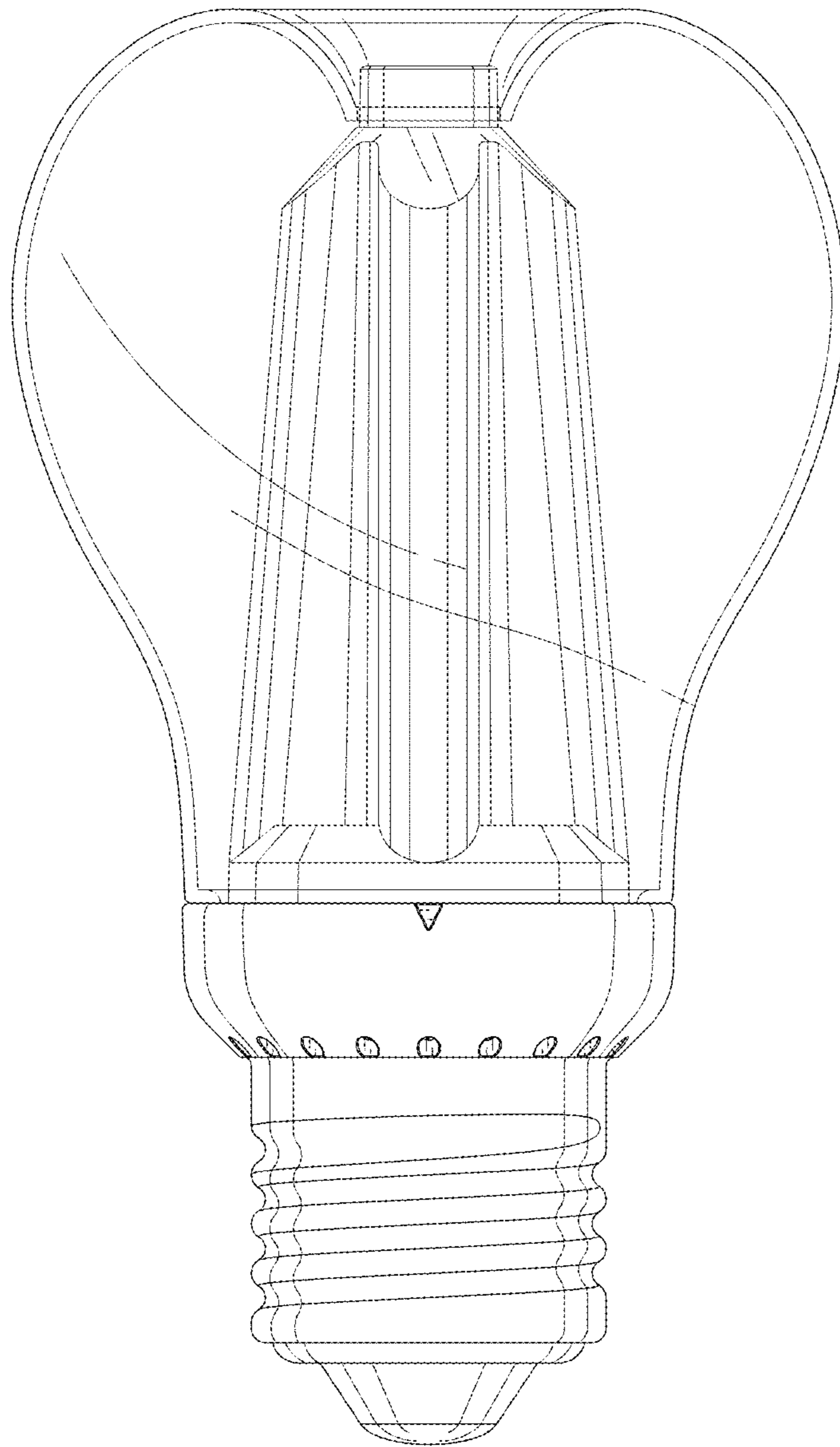
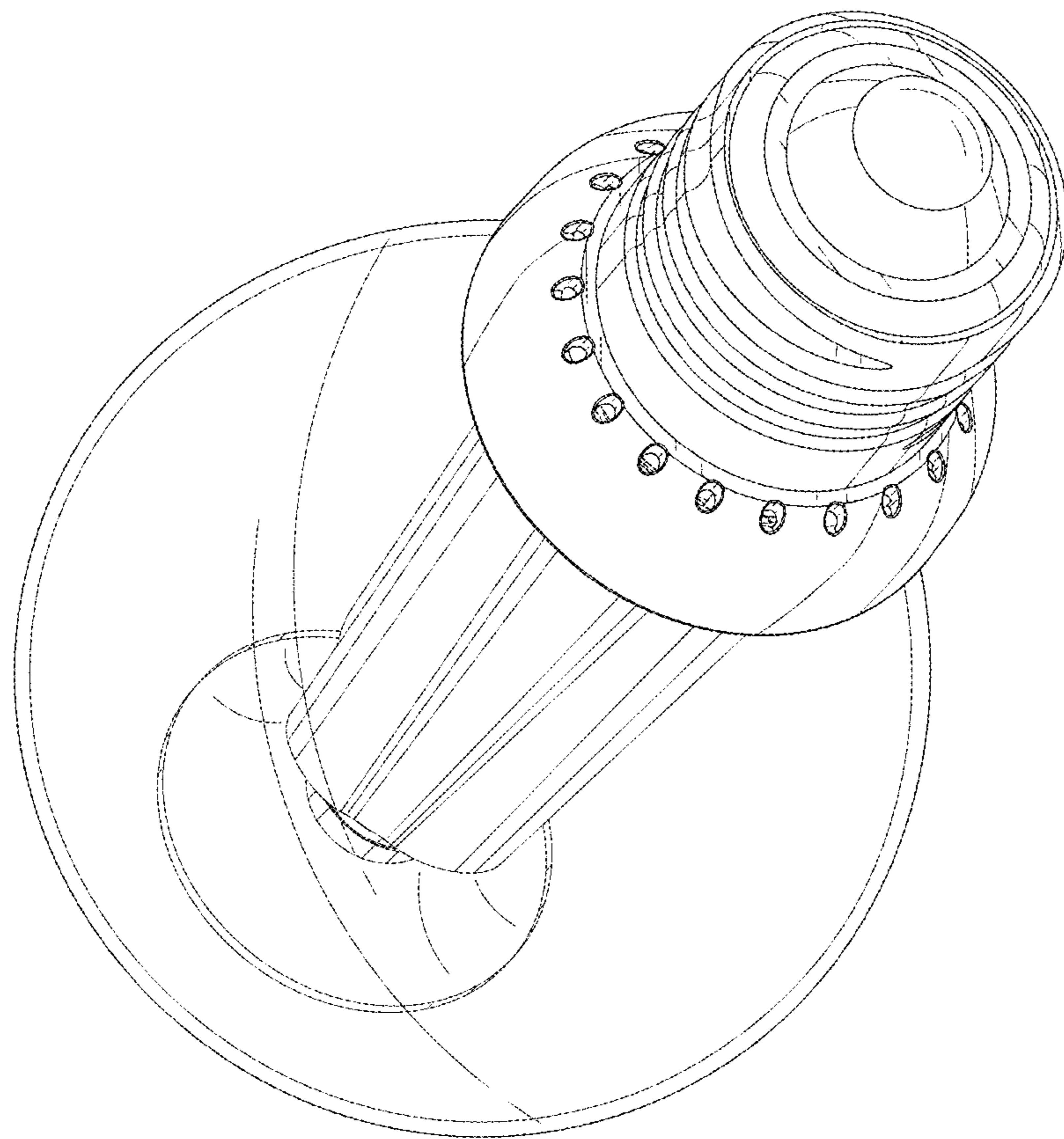


FIG. 7





**FIG. 8**