



US00D822856S

(12) **United States Design Patent**  
**Liao et al.**

(10) **Patent No.:** **US D822,856 S**  
(45) **Date of Patent:** **\*\* Jul. 10, 2018**

(54) **INTELLIGENT LAMP HOLDER**

(71) Applicant: **Shenzhen Tomtop Technology Co., Ltd.**, Shenzhen, Guangdong (CN)

(72) Inventors: **Xin Hui Liao**, Guangdong (CN); **Liu Gui Chen**, Guangdong (CN)

(73) Assignee: **SHENZHEN TOMTOP TECHNOLOGY CO., LTD.**, Shenzhen (CN)

(\*\*) Term: **15 Years**

(21) Appl. No.: **29/600,975**

(22) Filed: **Apr. 18, 2017**

(51) **LOC (11) Cl.** ..... **26-04**

(52) **U.S. Cl.**  
USPC ..... **D26/2**

(58) **Field of Classification Search**  
USPC ..... D26/1-4; 313/313, 315, 316, 317, 318, 313/493; 315/52, 53, 56, 57, 58  
CPC ..... H01R 5/00; H01R 13/46; H01R 31/048; H01R 31/02; H01J 5/00; H01J 5/16; H01J 15/00; H01J 5/48; H01J 5/50; H01J 19/54; F21V 5/00

See application file for complete search history.

(56) **References Cited**

U.S. PATENT DOCUMENTS

D542,943 S *	5/2007	Wang	.....	D26/2
D546,980 S *	7/2007	Lo	.....	D26/2
D549,854 S *	8/2007	Takahashi	.....	D26/2
D566,300 S *	4/2008	Lo	.....	D26/2
D582,578 S *	12/2008	Tsai	.....	D26/2
D594,995 S *	6/2009	Komar	.....	D26/2

\* cited by examiner

*Primary Examiner* — Marcus Jackson  
(74) *Attorney, Agent, or Firm* — Chieh-Mei Wang

(57) **CLAIM**

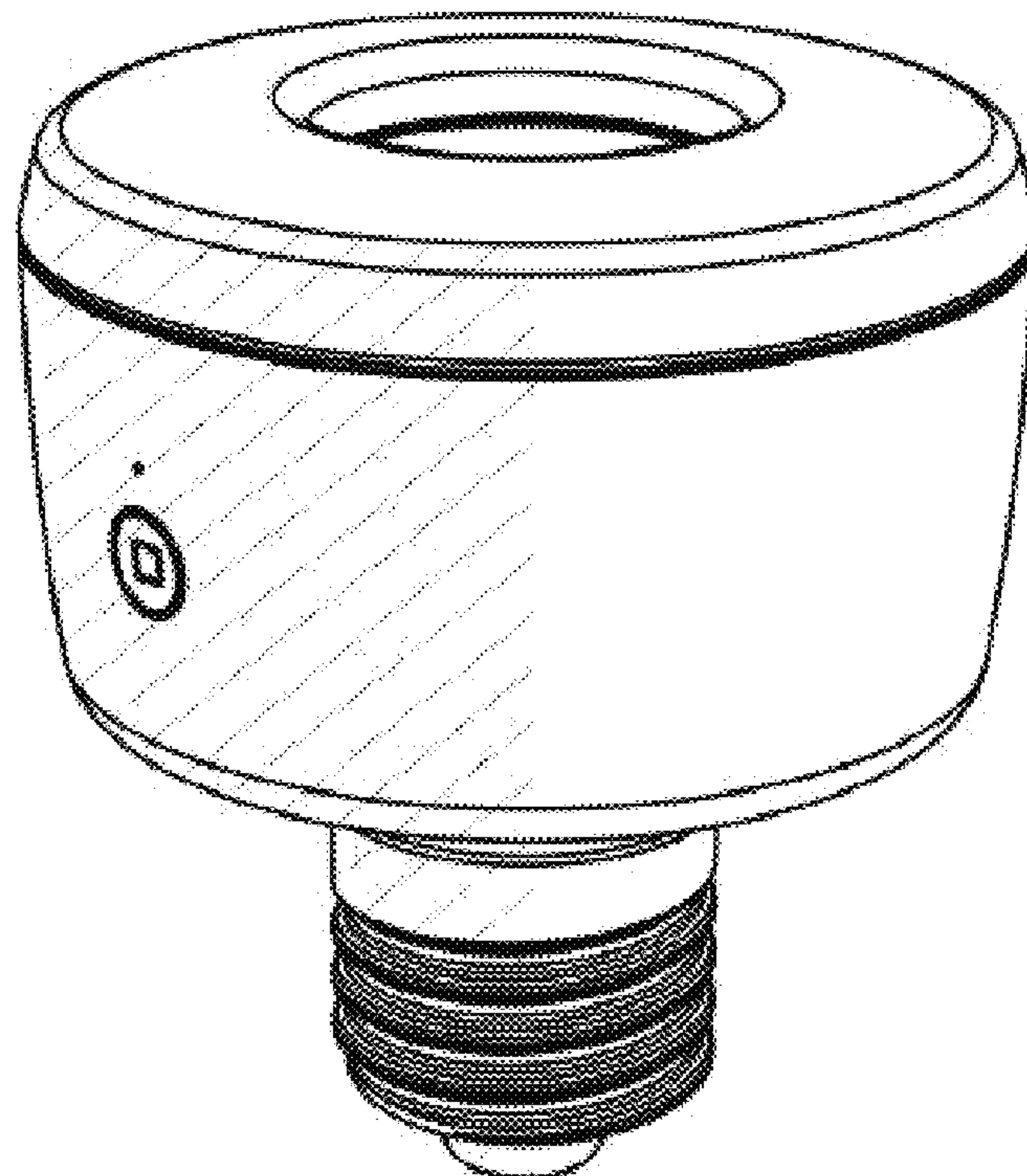
The ornamental design for an intelligent lamp holder, as shown and described.

**DESCRIPTION**

FIG. 1 is a perspective view of an intelligent lamp holder, showing our new design;  
FIG. 2 is a front view thereof;  
FIG. 3 is a rear view thereof;  
FIG. 4 is a left side view thereof;  
FIG. 5 is a right side view thereof;  
FIG. 6 is a bottom view thereof; and,  
FIG. 7 is a top view thereof.

The broken line portions are included to show unclaimed subject matter only and form no part of the claimed design.

**1 Claim, 7 Drawing Sheets**



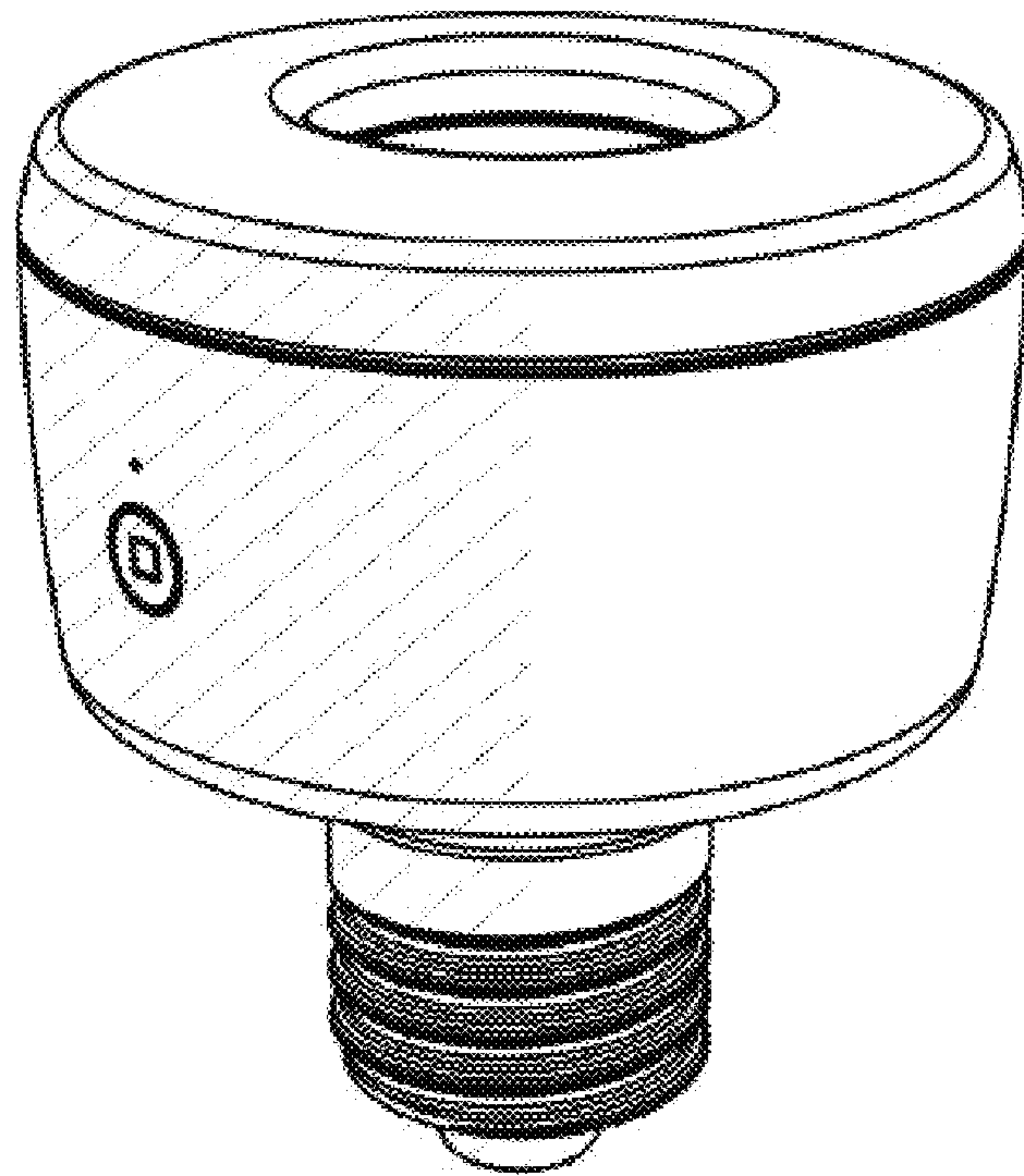


FIG. 1

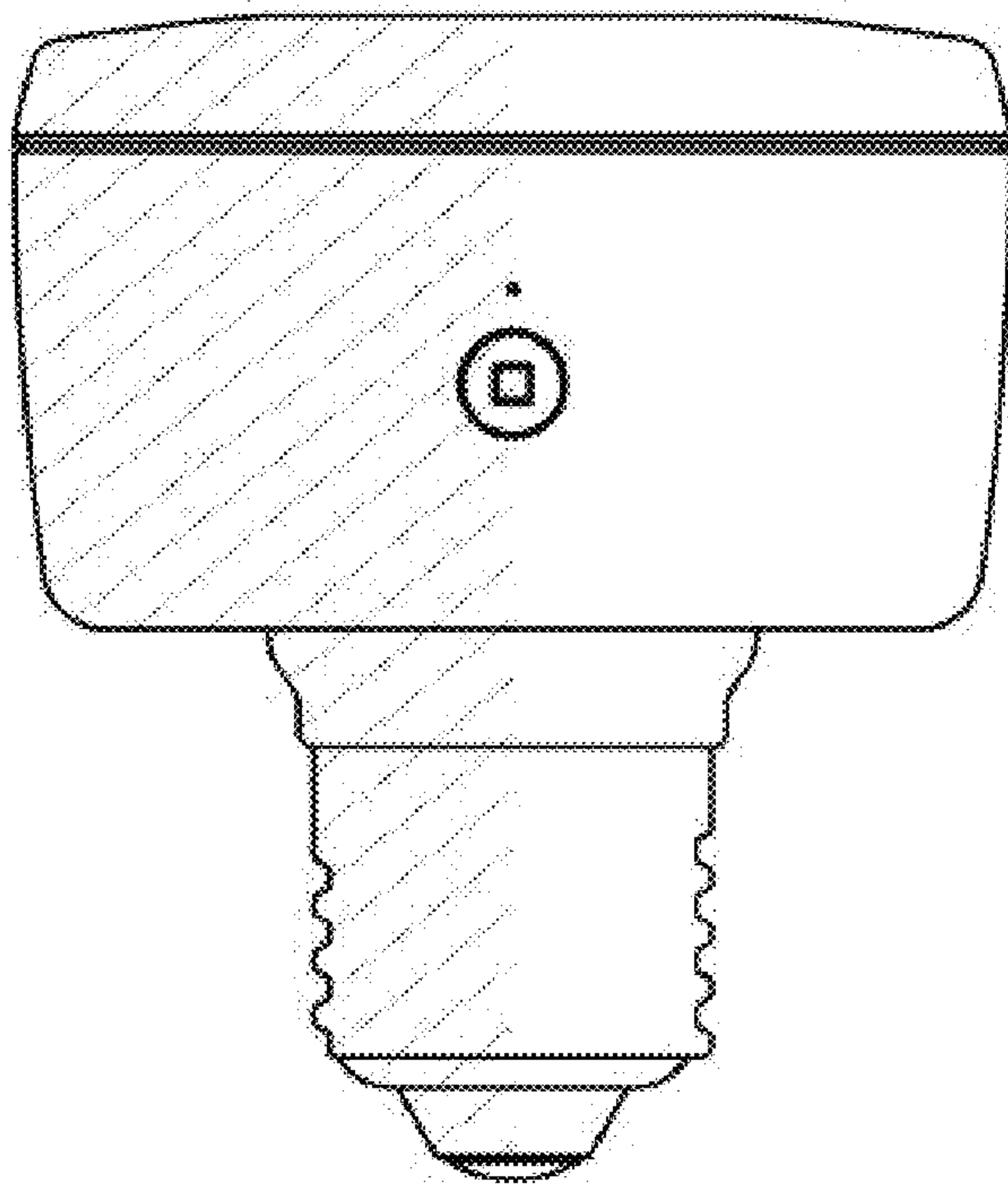


FIG. 2

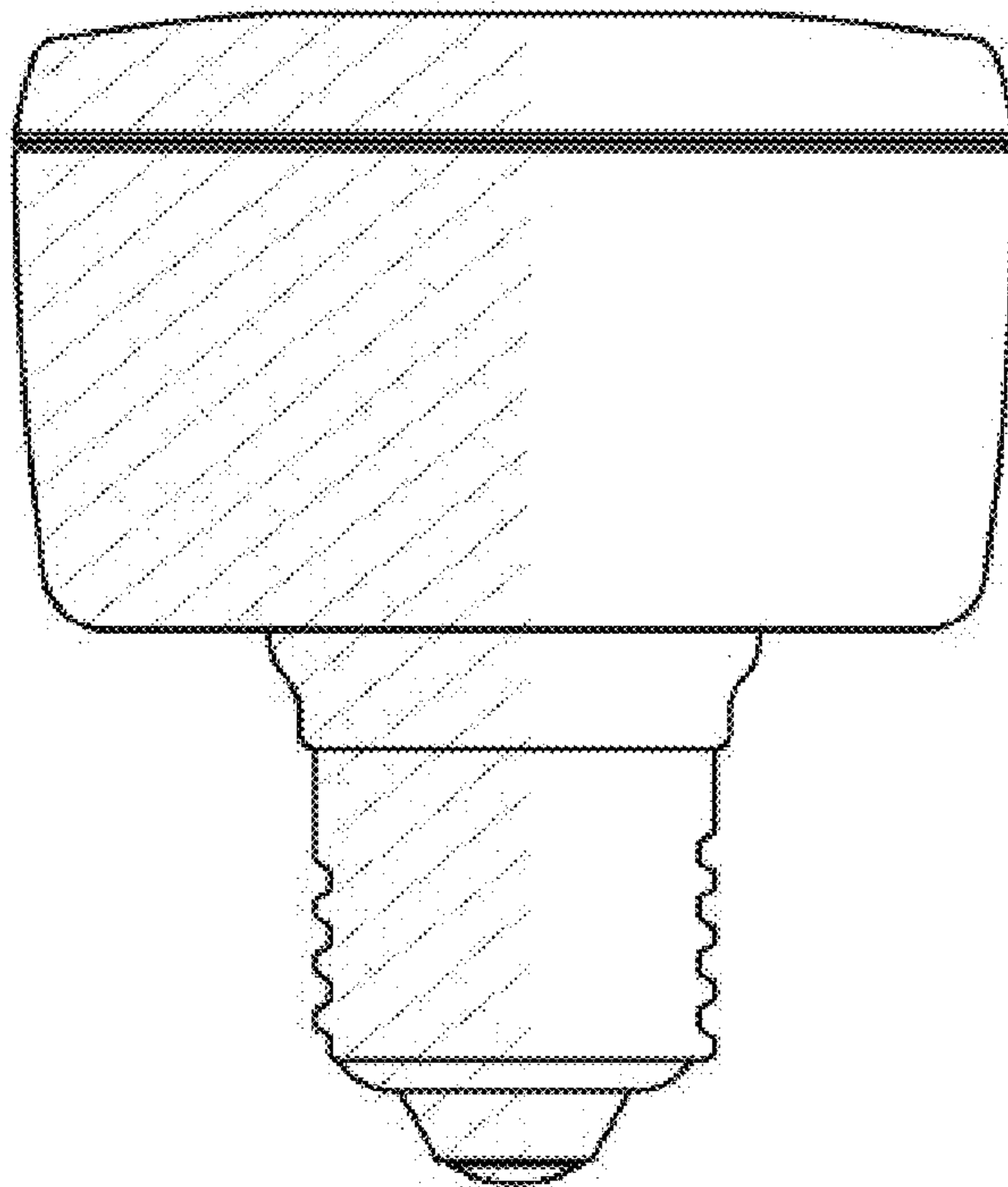


FIG. 3

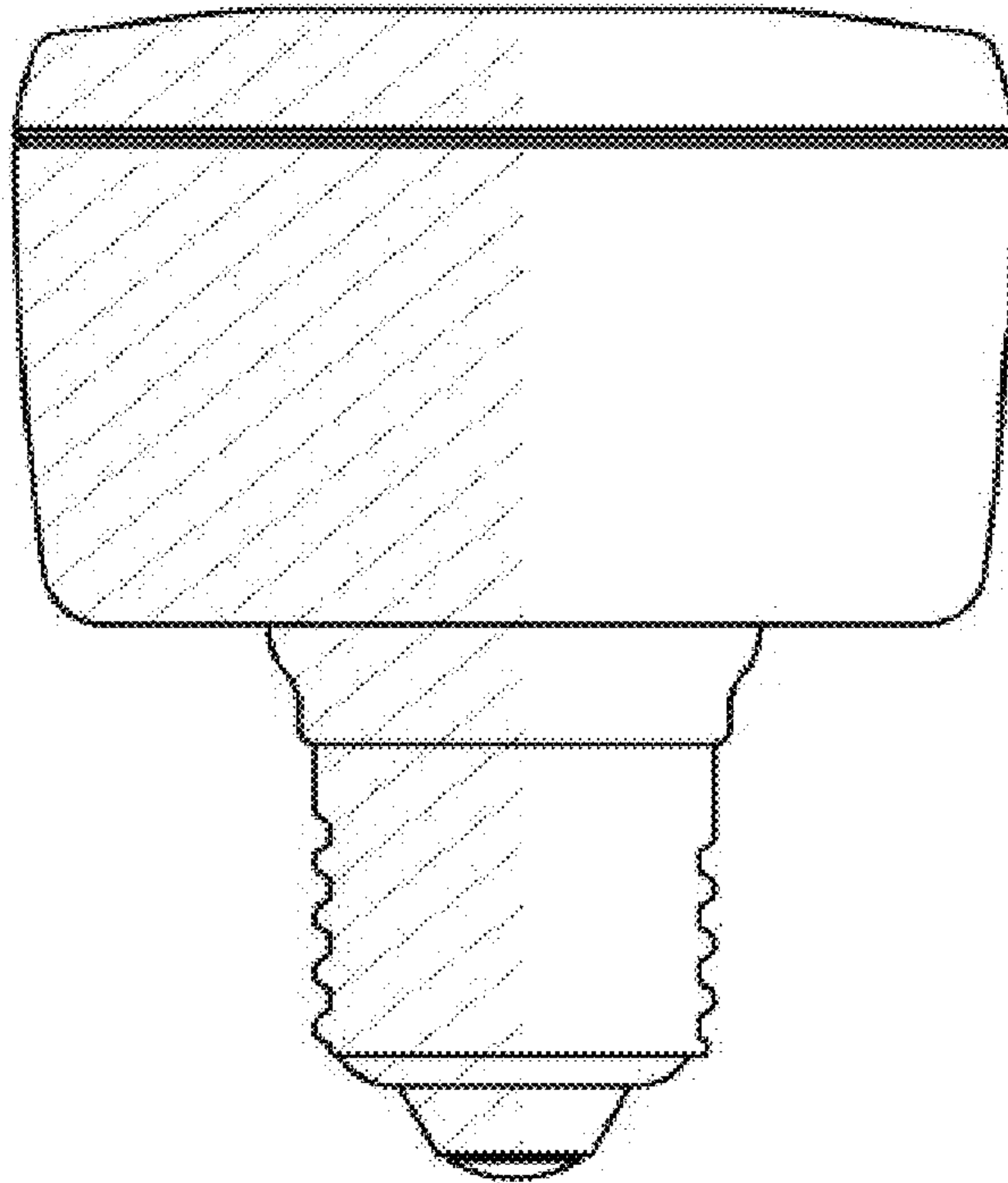


FIG. 4

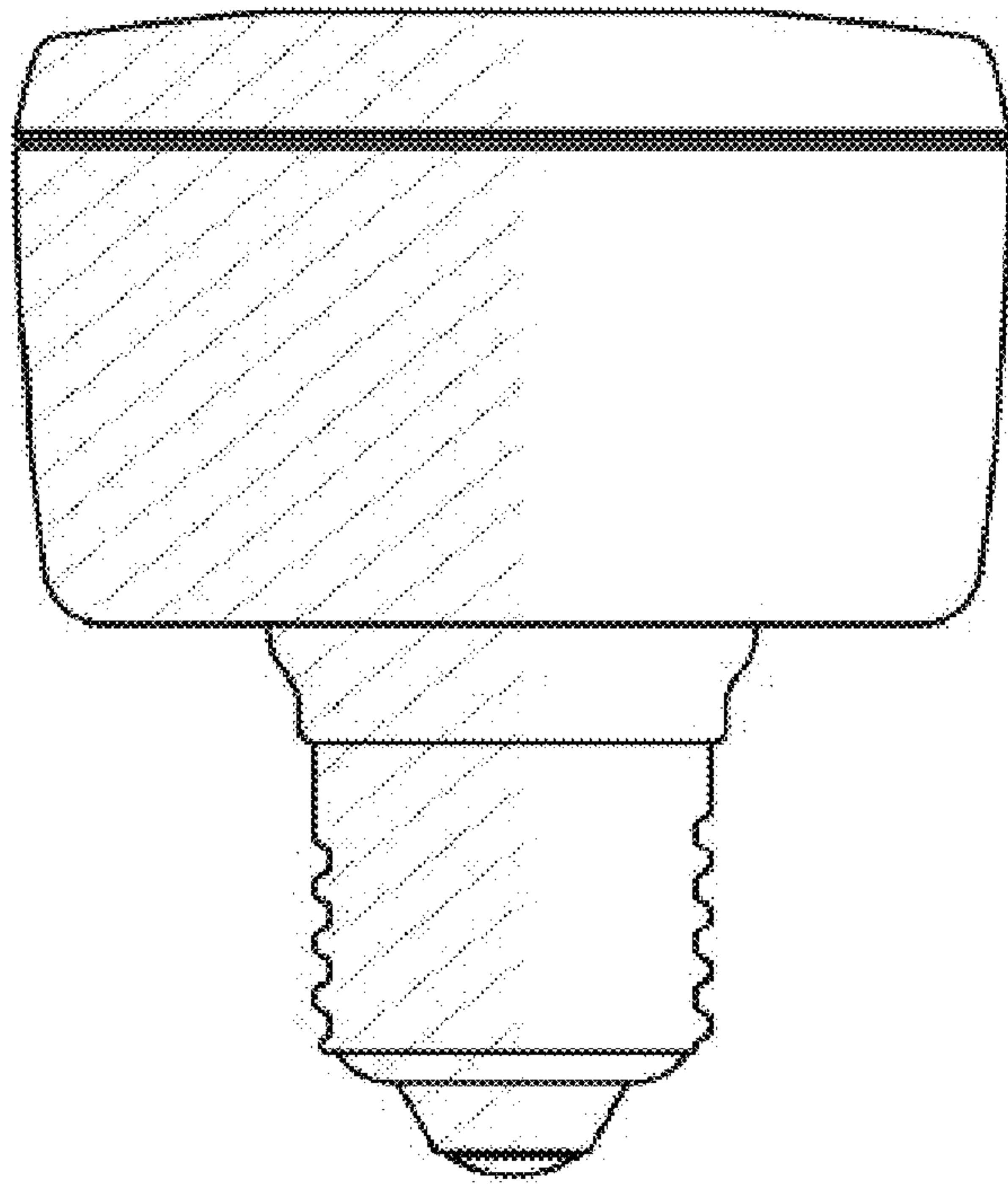


FIG. 5



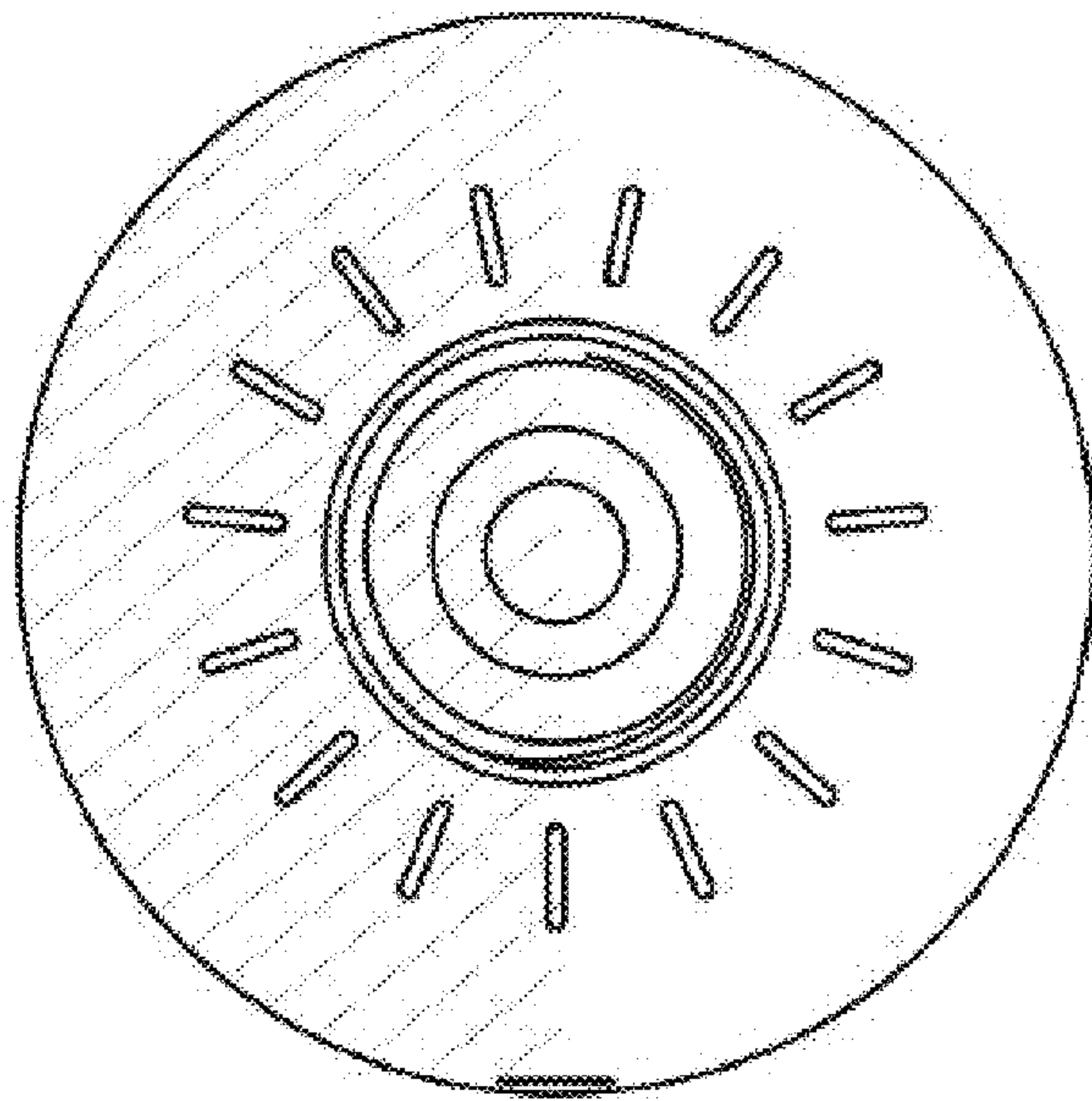


FIG. 6

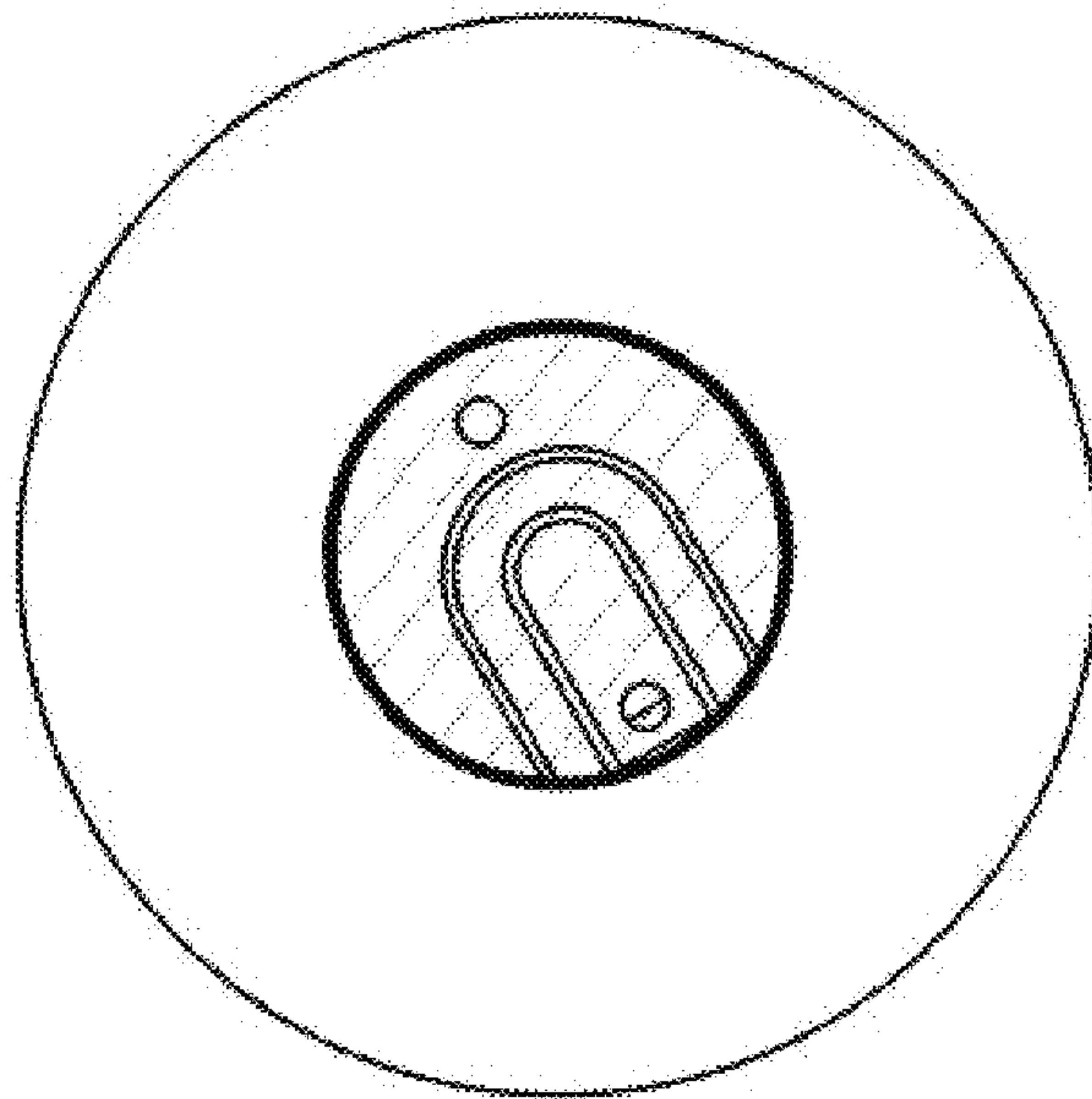


FIG. 7