



US00D822853S

(12) **United States Design Patent**
Honein

(10) **Patent No.:** **US D822,853 S**
(45) **Date of Patent:** **** Jul. 10, 2018**

(54) **CONE HANDRAIL SUPPORT**

(71) Applicant: **Jad Honein**, Seattle, WA (US)

(72) Inventor: **Jad Honein**, Seattle, WA (US)

(**) Term: **15 Years**

(21) Appl. No.: **29/546,324**

(22) Filed: **Nov. 20, 2015**

(51) **LOC (11) Cl.** **25-01**

(52) **U.S. Cl.**
USPC **D25/133**

(58) **Field of Classification Search**

USPC D6/550, 524, 328; D8/349, 354, 363,
D8/373, 382, 374-381, 300, 306, 321,
D8/355; D14/451, 447; D16/242, 214;
D21/501-505; D25/43, 125-135, 199;
248/217; 256/63-64, 65.01, 65.03, 65.05,
256/65.06, 65.07; 52/689; D12/415;
D3/10, 17; D7/393; D19/96; D20/43;
D26/44, 445
CPC E04H 17/1421; E04H 17/20; E04H 17/00;
E04F 11/1834; E04F 2011/4821; E04F
2011/1889; E04F 11/1804; E04F 11/1836;
E04F 19/00; E04F 15/02005; E04F
2011/1821; G03B 17/561; A45C 11/00;
A45C 200/00; E06B 11/00; E04G 5/001;
E04G 21/3223; E04G 21/3242; F16M
11/04

See application file for complete search history.

(56) **References Cited**

U.S. PATENT DOCUMENTS

3,430,407 A * 3/1969 Berry E04C 5/20
52/689
D272,473 S * 1/1984 Larsson D25/133
D316,430 S * 4/1991 Andersen D21/505
D359,997 S * 7/1995 Knudsen D21/505

D429,998 S * 8/2000 Snell D6/550
D444,865 S * 7/2001 Gottwald D23/304
D458,390 S * 6/2002 Ohanesian D25/135

(Continued)

FOREIGN PATENT DOCUMENTS

EP 3196380 A1 * 7/2017 B22F 3/105
WO WO-2016067259 A1 * 5/2016 E04F 11/1817
WO WO-2016081973 A1 * 6/2016 E04F 11/1817

OTHER PUBLICATIONS

<https://www.amazon.com/Stainless-Steel-Handrail-Bracket-Round/dp/B011ALF3UE>, Jul. 9, 2015.*

(Continued)

Primary Examiner — Jennifer A Rivard
Assistant Examiner — Catherine Suzanne Posthauer
(74) *Attorney, Agent, or Firm* — Caesar Rivise, PC

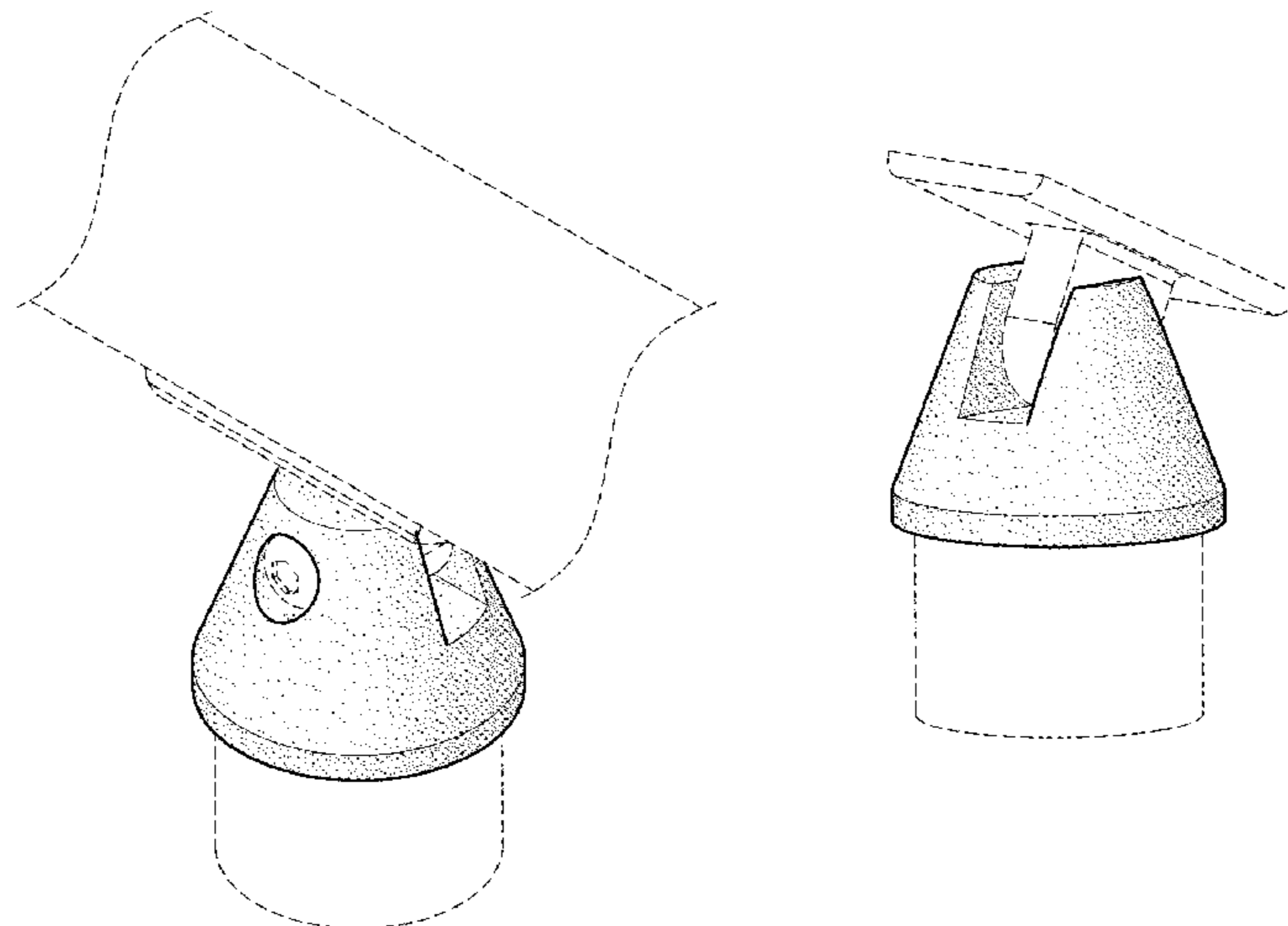
(57) **CLAIM**

The ornamental design for a cone handrail support, substantially as shown and described.

DESCRIPTION

FIG. 1 is a top isometric view of a cone handrail support, showing my new design, in a position of use with an exemplary adapter plate.
FIG. 2 is a bottom isometric view thereof.
FIG. 3 is a front elevational view thereof.
FIG. 4 is a back elevational view thereof.
FIG. 5 is a left elevational view thereof.
FIG. 6 is a right elevational view thereof.
FIG. 7 is a top plan view thereof.
FIG. 8 is a bottom plan view thereof; and,
FIG. 9 is a top isometric view thereof, shown in an alternate position of use with another exemplary adapter plate.
The broken lines are shown for the purpose of illustrating environmental subject matter of adapter plates, and parts of the article, none of which form part of the claim.

1 Claim, 3 Drawing Sheets



(56)

References Cited

U.S. PATENT DOCUMENTS

D493,588 S * 7/2004 DeFelice D32/35
D518,948 S * 4/2006 Calkins D3/10
D534,792 S * 1/2007 Cooper D25/133
D536,180 S * 2/2007 Wu D6/328
D536,181 S * 2/2007 Wu D6/328
D547,872 S * 7/2007 Davis D24/188
D552,361 S * 10/2007 Goldman D6/328
D552,454 S * 10/2007 Fynn D8/363
D560,483 S * 1/2008 Mercier D6/550
D570,094 S * 6/2008 Wainwright D3/17
D586,075 S * 2/2009 Wiley D34/38
D587,003 S * 2/2009 Shinohara D3/17
D587,894 S * 3/2009 Wainwright D3/10
D610,624 S * 2/2010 Makhija G09F 7/18
D633,374 S * 3/2011 Diener D8/382
D668,933 S * 10/2012 Bucci D8/354
D670,157 S * 11/2012 Mo D8/363
D692,677 S * 11/2013 Dotson D6/328
D701,451 S * 3/2014 Momiyama D8/382
D702,104 S * 4/2014 Butler D8/349
D714,797 S * 10/2014 Fujioka D14/447

D755,880 S * 5/2016 Luo D16/214
D761,100 S * 7/2016 Divers D8/396
D772,971 S * 11/2016 Hojo D16/242
D773,287 S * 12/2016 Lida D8/363
D778,713 S * 2/2017 McSweyn D12/415
D785,210 S * 4/2017 Honein D25/133
D787,923 S * 5/2017 Honein D8/382
2002/0172545 A1 * 11/2002 Greaves E04F 11/1834
403/67
2015/0204105 A1 * 7/2015 Honein E04F 11/1834
256/65.07
2015/0247342 A1 * 9/2015 Honein E04F 11/1834
256/65.03
2017/0269460 A1 * 9/2017 Fagerkvist F16C 11/06

OTHER PUBLICATIONS

Stainless Steel Handrail Bracket Round: Announced Jul. 9, 2015 [online]. Site Visited Mar. 2, 2018. Available from URL: https://www.amazon.com/Stainless-Steel-Handrail-Bracket-Round/dp/B011ALF3UE/ref=sr_1_1?ie=UTF8&qid=1519940541&sr=8-1&keywords=Stainless+Steel+Cone+Handrail+for+Round+Post.*

* cited by examiner

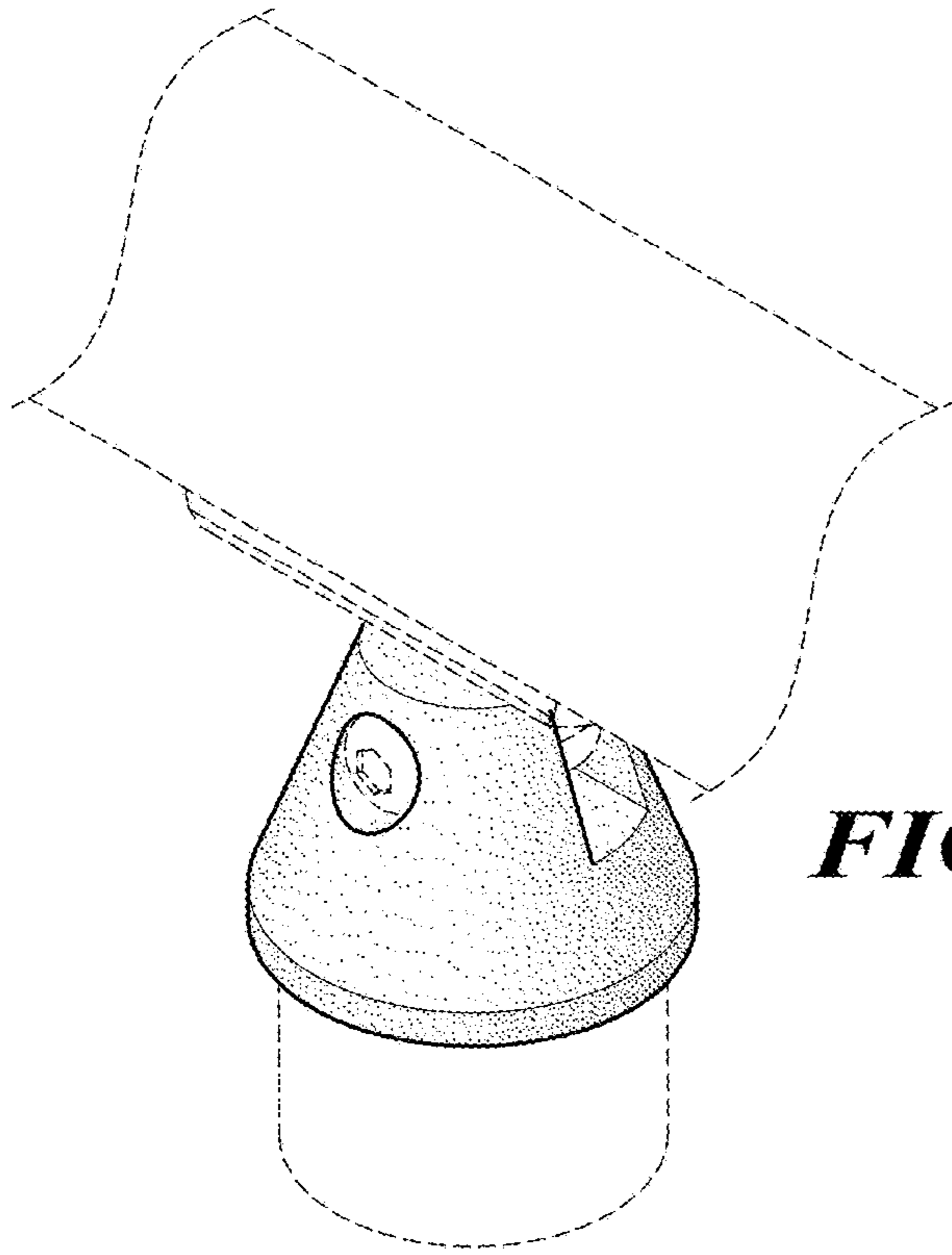
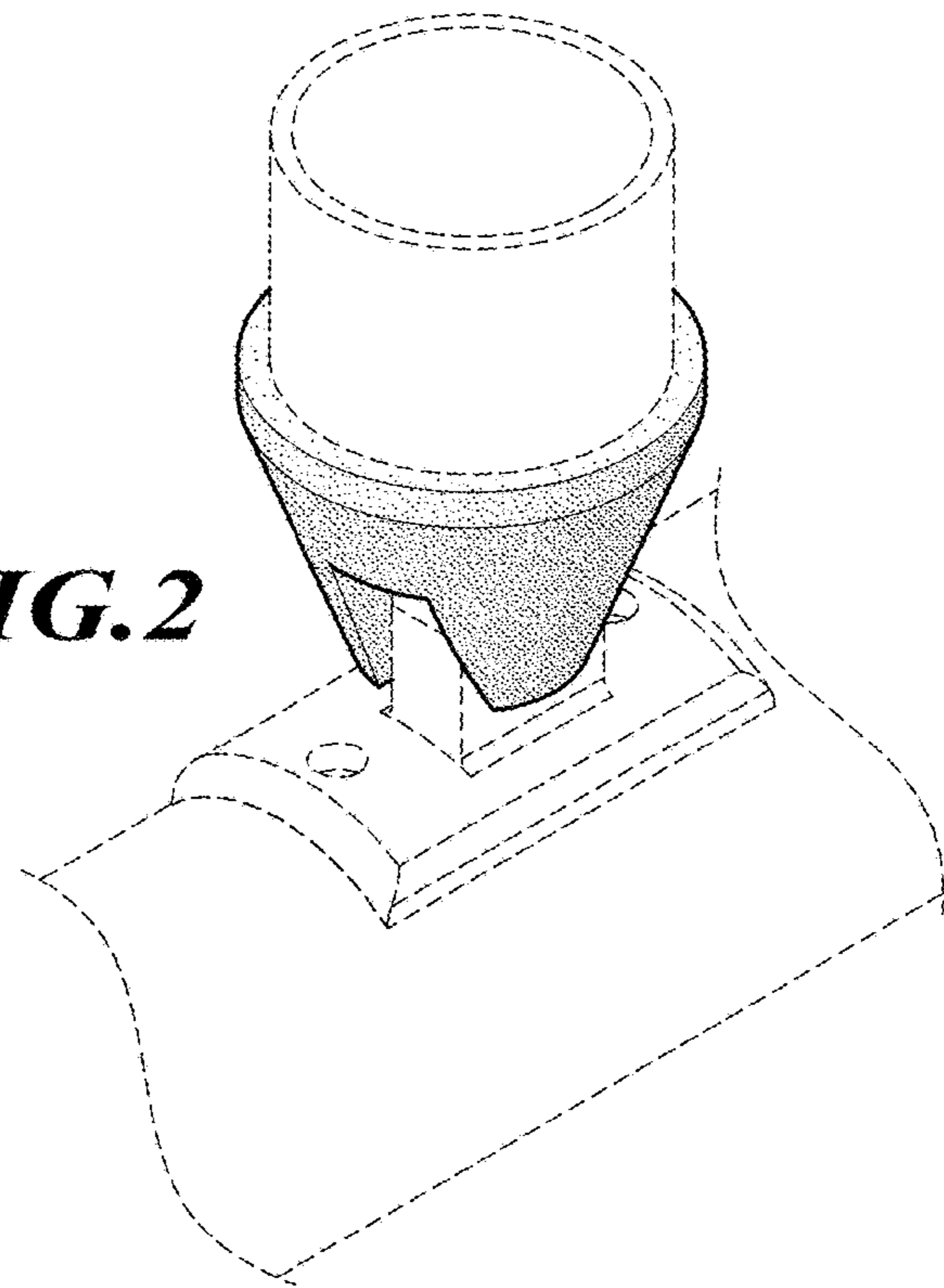


FIG. 1

FIG. 2



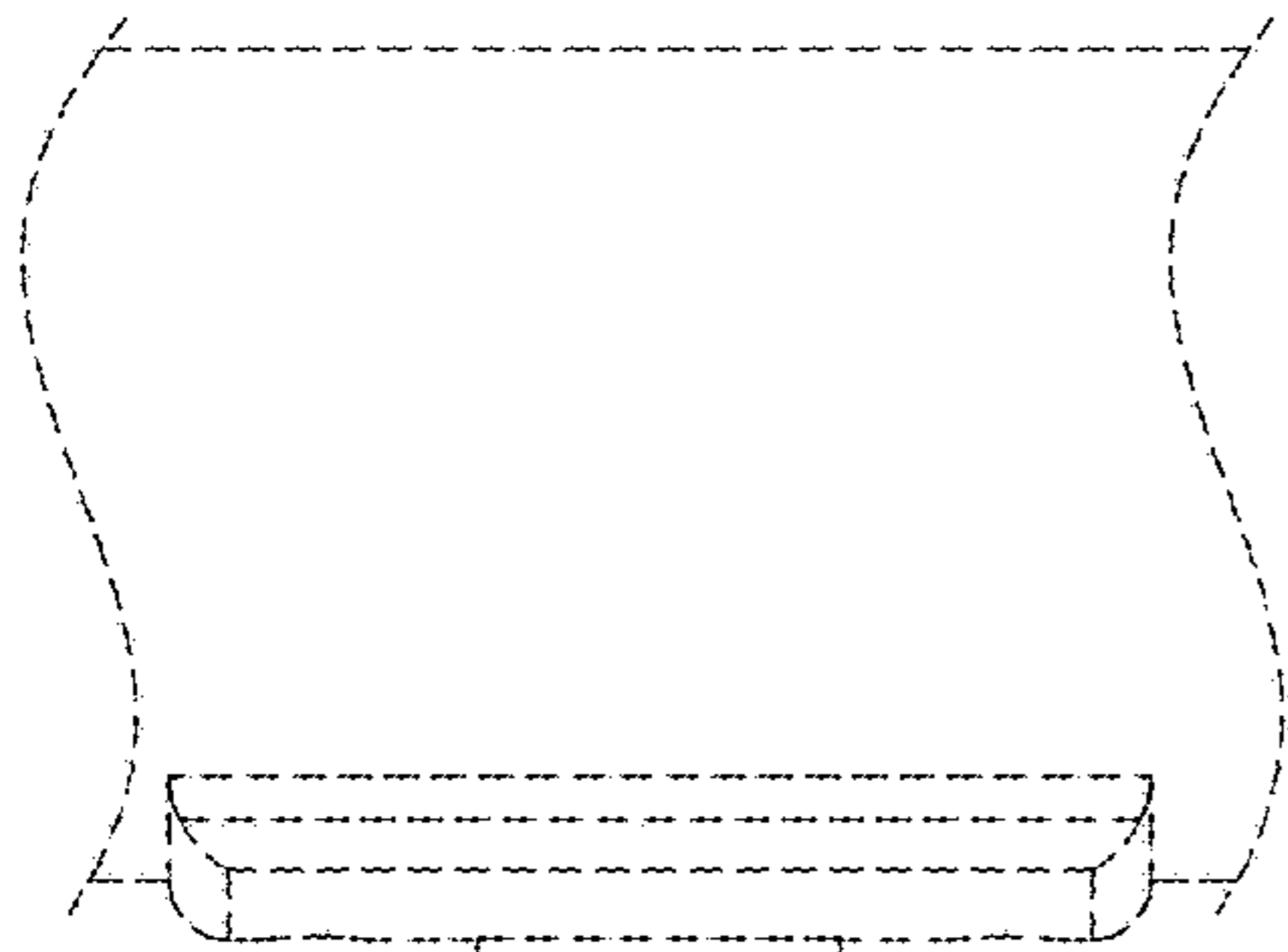


FIG. 3

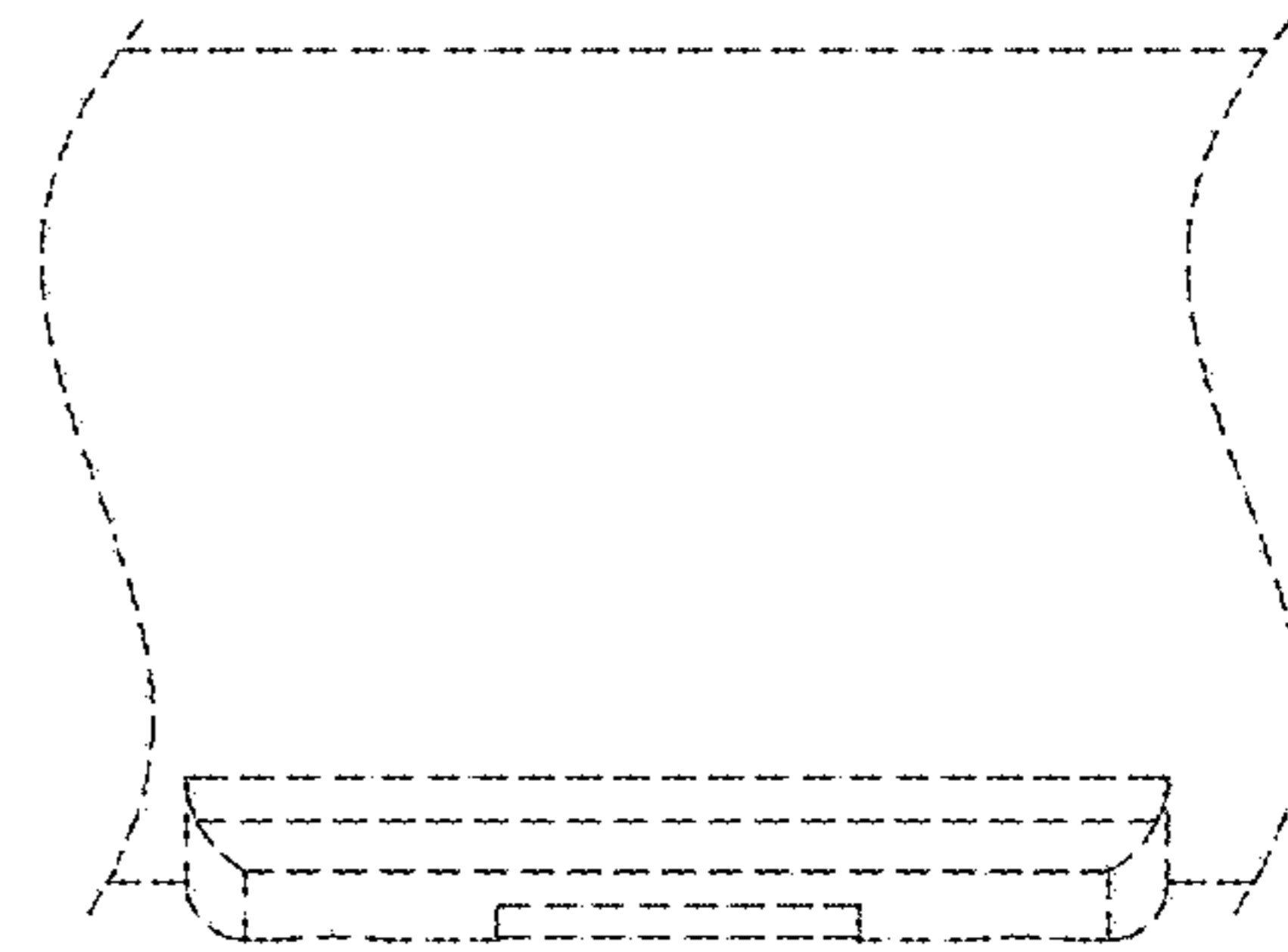


FIG. 4

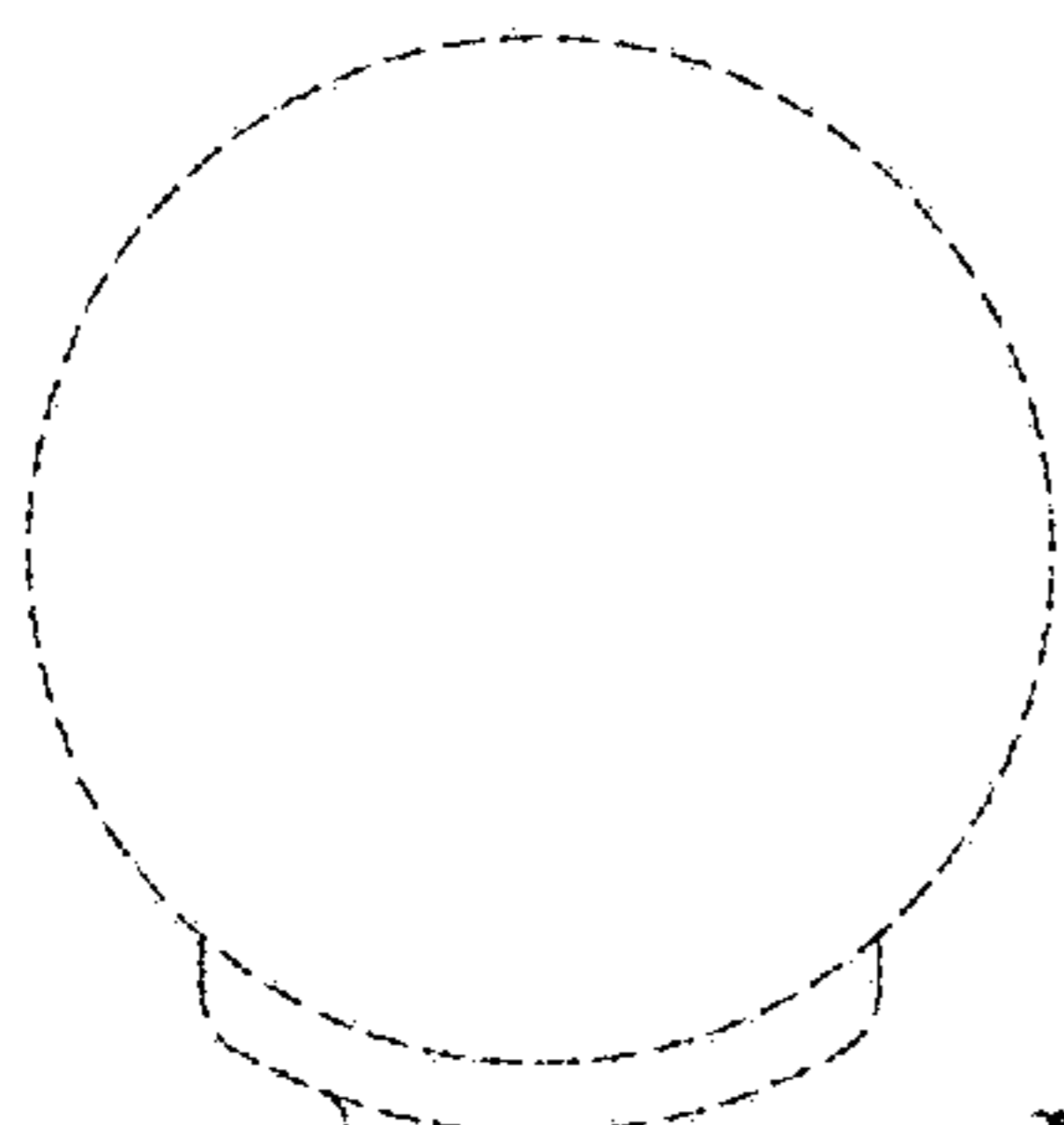


FIG. 5

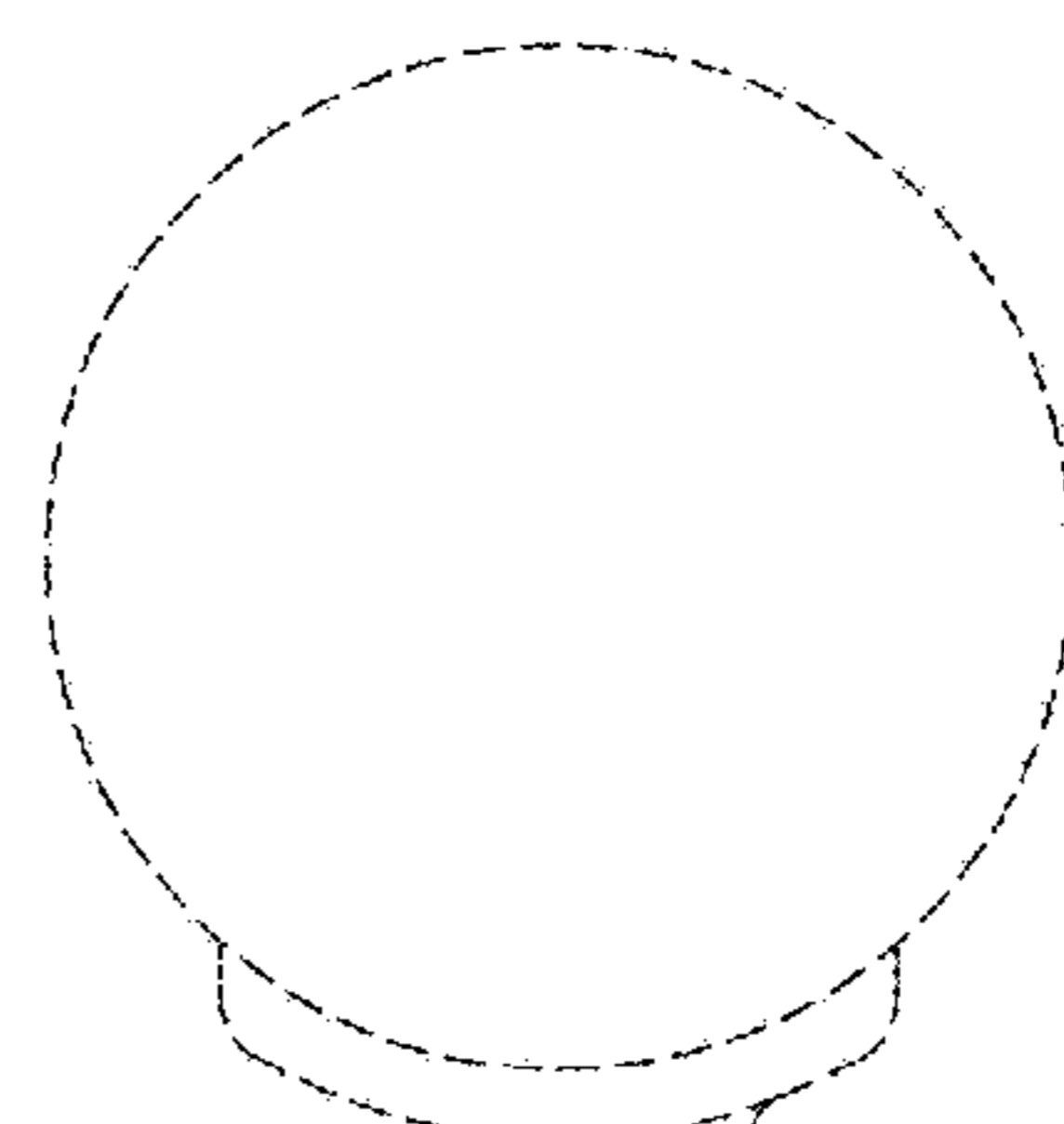


FIG. 6

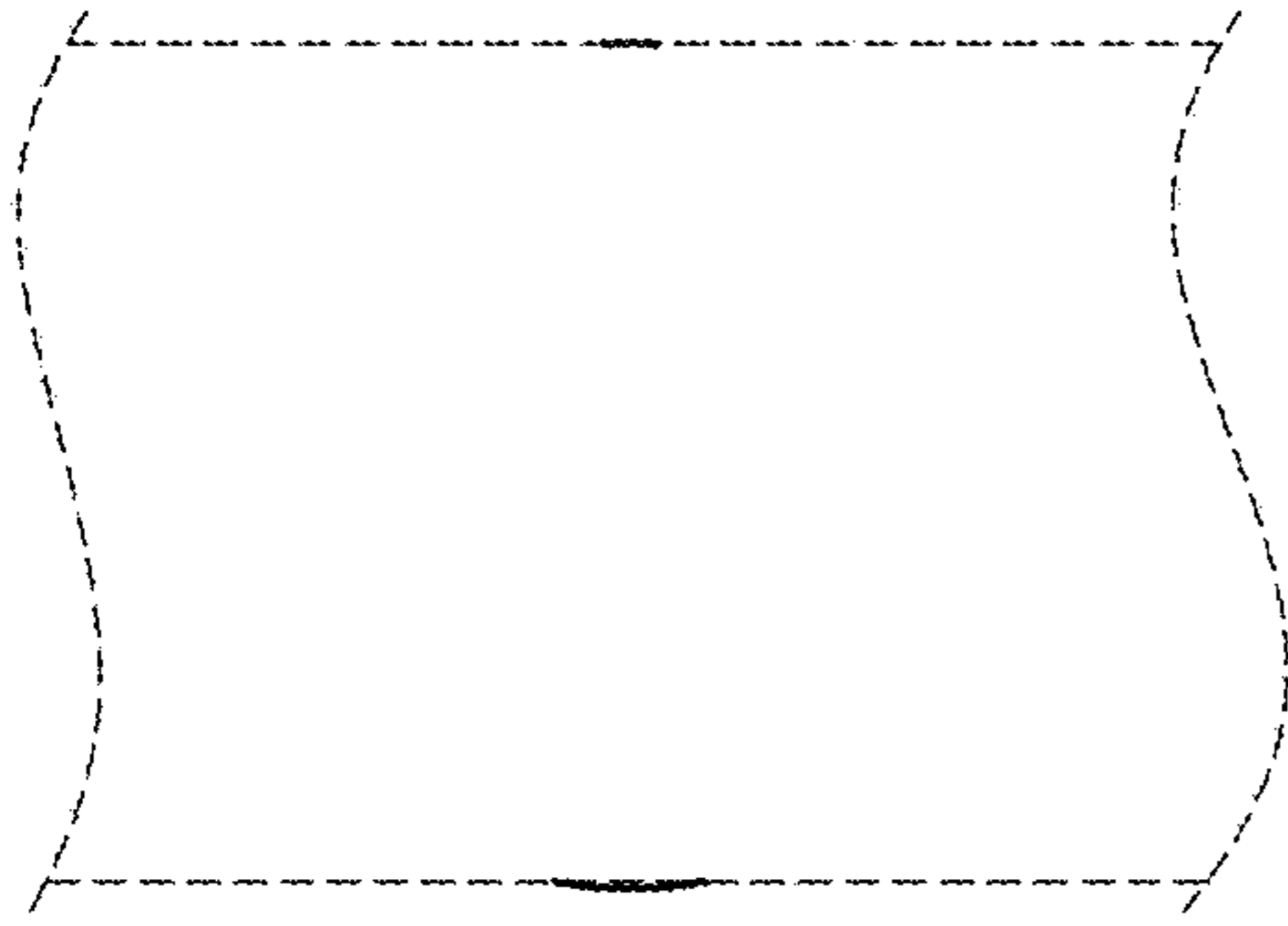


FIG. 7

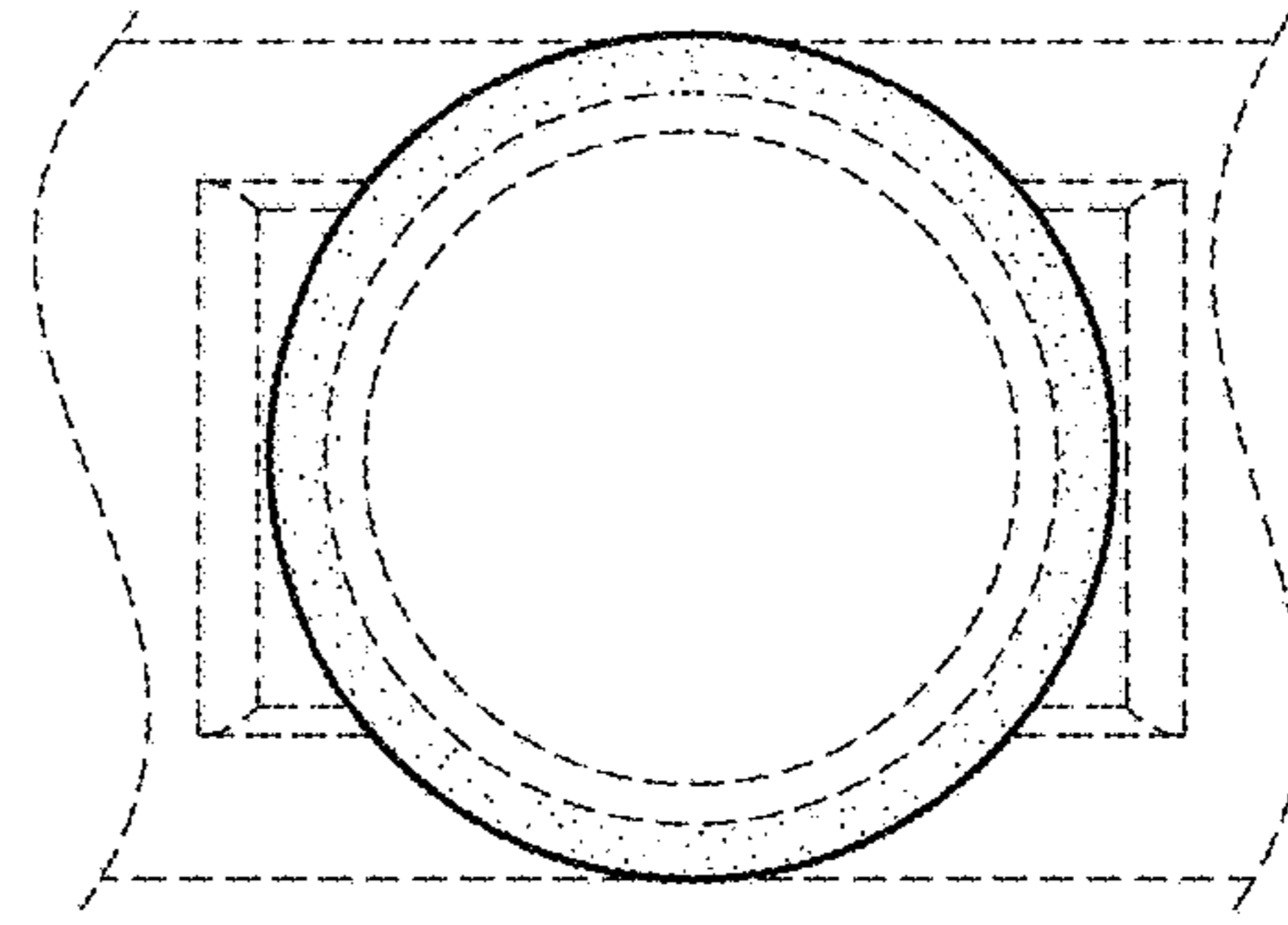


FIG. 8

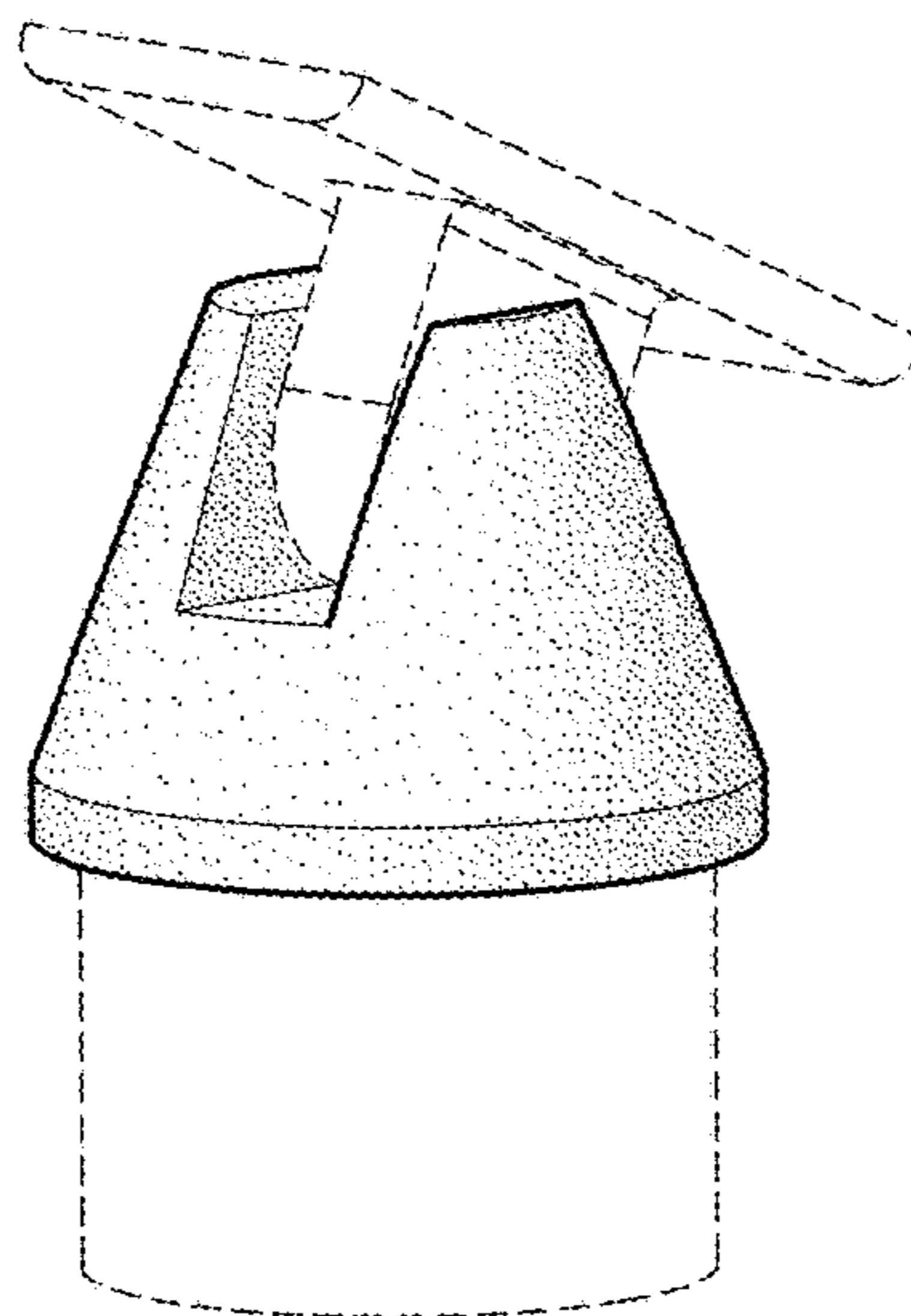


FIG. 9