



US00D822852S

(12) **United States Design Patent** (10) **Patent No.:** **US D822,852 S**  
**Jackson et al.** (45) **Date of Patent:** **\*\* Jul. 10, 2018**

(54) **CHANNEL TRIM**

1/702; E06B 1/705; E06B 1/707; E04D  
13/0459; E04D 13/0477; E04D

(71) Applicant: **R. H. Tamlyn & Sons, LP**, Stafford,  
TX (US)

(Continued)

(72) Inventors: **Terrance Jackson**, Missouri City, TX  
(US); **Wayne Harold Braun**, Houston,  
TX (US)

(56)

**References Cited**

U.S. PATENT DOCUMENTS

D194,585 S \* 2/1963 Waring ..... D25/121  
D194,586 S \* 2/1963 Waring ..... D25/121

(Continued)

(73) Assignee: **R. H. Tamlyn & Sons, LP**, Stafford,  
TX (US)

(\*\*) Term: **15 Years**

OTHER PUBLICATIONS

“Canadian Application Serial No. 174,723, Office Action dated Nov.  
9, 2017”, 3 pgs.

(Continued)

(21) Appl. No.: **29/583,885**

(22) Filed: **Nov. 9, 2016**

(51) **LOC (11) Cl.** ..... **25-01**

(52) **U.S. Cl.**

USPC ..... **D25/119**

(58) **Field of Classification Search**

USPC ..... D25/119–126, 131–137, 164, 199, 48.1,  
D25/48.3, 60; D8/349, 354, 376, 377,  
D8/378, 380, 381, 382; D6/579, 580,  
D6/702, 703.1, 705.6, 709.2, 719

CPC ... E04C 3/00; E04C 3/005; E04C 3/02; E04C  
3/04; E04C 3/12; E04C 3/20; E04C 3/28;  
E04C 3/30; E04F 19/02; E04F 19/022;  
E04F 19/026; E04F 19/028; E04F 19/04;  
E04F 19/0436; E04F 19/0481; E04F  
19/0486; E04F 19/06; E04F 19/061; E04F  
13/06; E04F 13/068; E04F 2019/0404;  
E04F 2019/0413; E04F 2019/0422; E04F  
2019/0454; E06B 1/00; E06B 1/006;  
E06B 1/02; E06B 1/04; E06B 1/045;  
E06B 1/12; E06B 1/16; E06B 1/34; E06B  
1/342; E06B 1/345; E06B 1/347; E06B  
1/36; E06B 1/363; E06B 1/366; E06B  
1/38; E06B 1/40; E06B 1/52; E06B  
1/522; E06B 1/524; E06B 1/526; E06B  
1/528; E06B 1/56; E06B 1/60; E06B  
1/6092; E06B 1/62; E06B 1/70; E06B

*Primary Examiner* — Cynthia Ramirez

*Assistant Examiner* — L. Martinez-Rivera

(74) *Attorney, Agent, or Firm* — Schwegman Lundberg &  
Woessner, P.A.

(57)

**CLAIM**

The ornamental design for a channel trim, as shown and  
described.

**DESCRIPTION**

FIG. 1 is a first perspective view of the channel trim,  
showing the new design.

FIG. 2 is a front view of the channel trim of FIG. 1.

FIG. 3 is a back view of the channel trim of FIG. 1.

FIG. 4 is a first side view of the channel trim of FIG. 1.

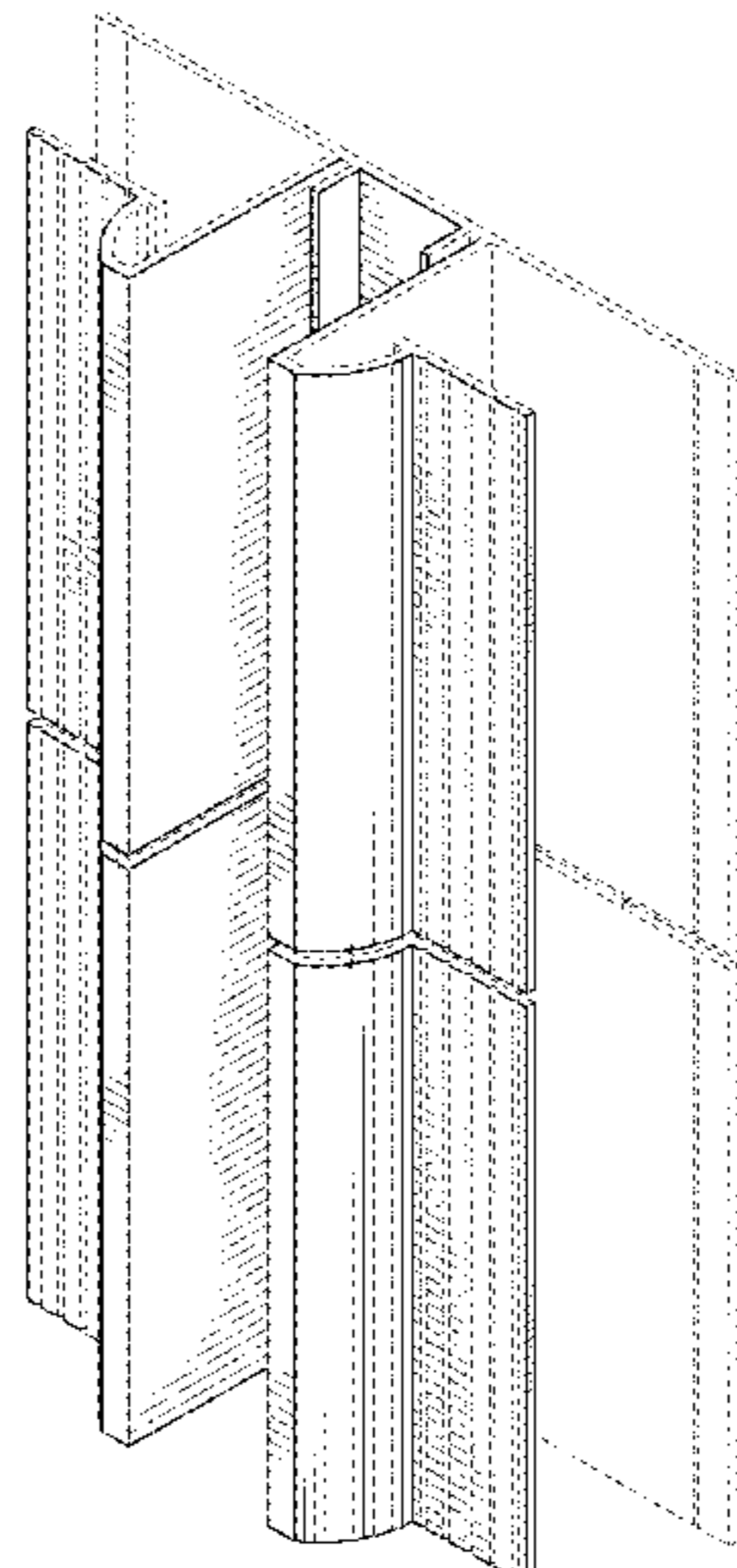
FIG. 5 is a second side view of the channel trim of FIG. 1.

FIG. 6 is a top view of the channel trim of FIG. 1; and,

FIG. 7 is a bottom view of the channel trim of FIG. 1.

The channel trim is shown with symbolic breaks in its  
length. The appearance of any portion of the channel trim  
between the break lines forms no part of the claimed design.  
The broken lines in the drawings depict portions of the  
channel trim that form no part of the claimed design.

**1 Claim, 5 Drawing Sheets**



(58) **Field of Classification Search**

CPC ..... 13/0481; E04D 13/15; E04D 2013/0463;  
 E04D 2013/0468; E04D 2013/0472;  
 E04D 2013/0486; E04D 2013/049; E04B  
 2/00; E04B 2/74; E04B 2/76; E04B  
 2/761; E04B 2/762; E04B 2/763; E04B  
 2/764; E04B 2/765; E04B 2/7854; E04B  
 2/7863; E04B 2/7872; E04B 2/7881;  
 E04B 2/789

See application file for complete search history.

(56) **References Cited**

U.S. PATENT DOCUMENTS

3,078,971 A \* 2/1963 Wallerstein, Jr. .... E04B 1/98  
 D25/126  
 3,228,160 A \* 1/1966 O'Brien ..... E04B 2/825  
 52/242  
 D217,713 S \* 6/1970 Miller ..... D25/121  
 D270,479 S \* 9/1983 Braswell ..... D25/121  
 5,090,174 A \* 2/1992 Fragale ..... E04F 19/064  
 52/276  
 D360,038 S \* 7/1995 Bancroft ..... D25/119  
 D363,132 S \* 10/1995 Simon ..... D25/119  
 5,537,791 A \* 7/1996 Champagne ..... E04F 13/0864  
 52/489.1  
 5,711,117 A \* 1/1998 Zaccagni ..... E04D 13/158  
 52/518  
 5,829,206 A \* 11/1998 Bachman ..... E04F 19/064  
 52/287.1  
 D427,327 S \* 6/2000 Bevan ..... D25/121

D427,694 S \* 7/2000 Bevan ..... D25/121  
 D452,335 S \* 12/2001 Brown ..... D25/199  
 D452,744 S \* 1/2002 Brown ..... D25/199  
 D460,197 S \* 7/2002 Stringer ..... D25/48.8  
 D486,247 S \* 2/2004 Eichner ..... D25/119  
 D486,921 S \* 2/2004 Zyburd ..... D25/119  
 7,200,970 B2 \* 4/2007 Koenig, Jr. .... E04F 19/02  
 52/255  
 D573,267 S \* 7/2008 Brinton ..... D25/119  
 D573,268 S \* 7/2008 Lundsgaard ..... D25/119  
 D616,566 S \* 5/2010 Desrosiers ..... D25/122  
 D620,622 S \* 7/2010 Steel ..... D25/164  
 D624,212 S \* 9/2010 Sawyer ..... D25/136  
 8,104,234 B1 \* 1/2012 Sawyer ..... E04F 19/064  
 52/309.8  
 D653,771 S \* 2/2012 Olmsted ..... D25/138  
 D656,603 S \* 3/2012 Egan ..... D25/136  
 D662,405 S \* 6/2012 Zhang ..... D8/380  
 D679,419 S \* 4/2013 Gori ..... D25/119  
 D679,420 S \* 4/2013 Nolan ..... D25/125  
 D689,199 S \* 9/2013 Elizarraras ..... D25/136  
 D745,189 S \* 12/2015 Stoesser ..... D25/125  
 D774,874 S \* 12/2016 Wentzel ..... D8/349  
 D797,956 S \* 9/2017 Shaw ..... D25/136  
 2013/0205696 A1 \* 8/2013 Little ..... E04F 13/06  
 52/255  
 2017/0306618 A1 \* 10/2017 Braun ..... E04B 2/02

OTHER PUBLICATIONS

“Canadian Application Serial No. 174,723, Response filed Feb. 9, 2018 to Office Action dated Nov. 9, 2017”, 10 pgs.

\* cited by examiner

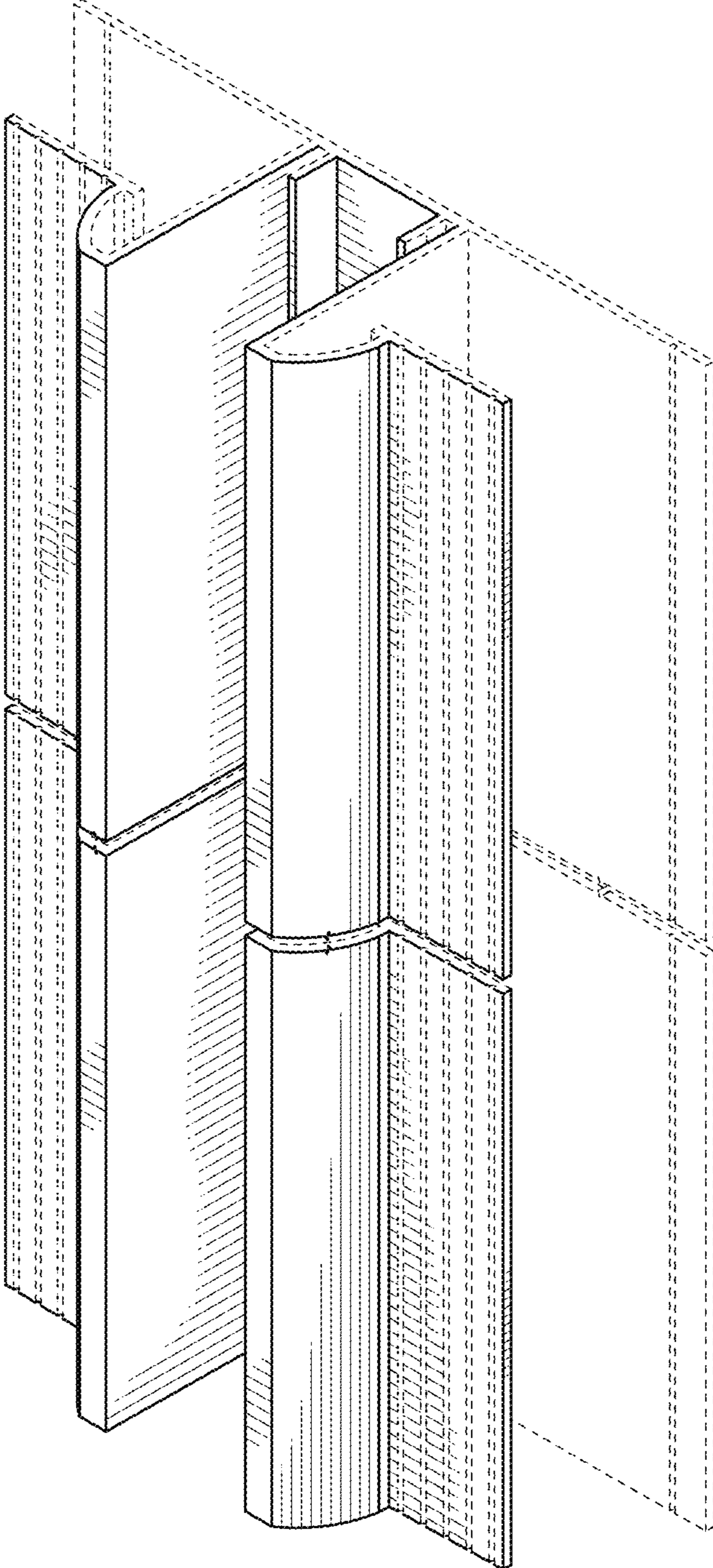


FIG. 1

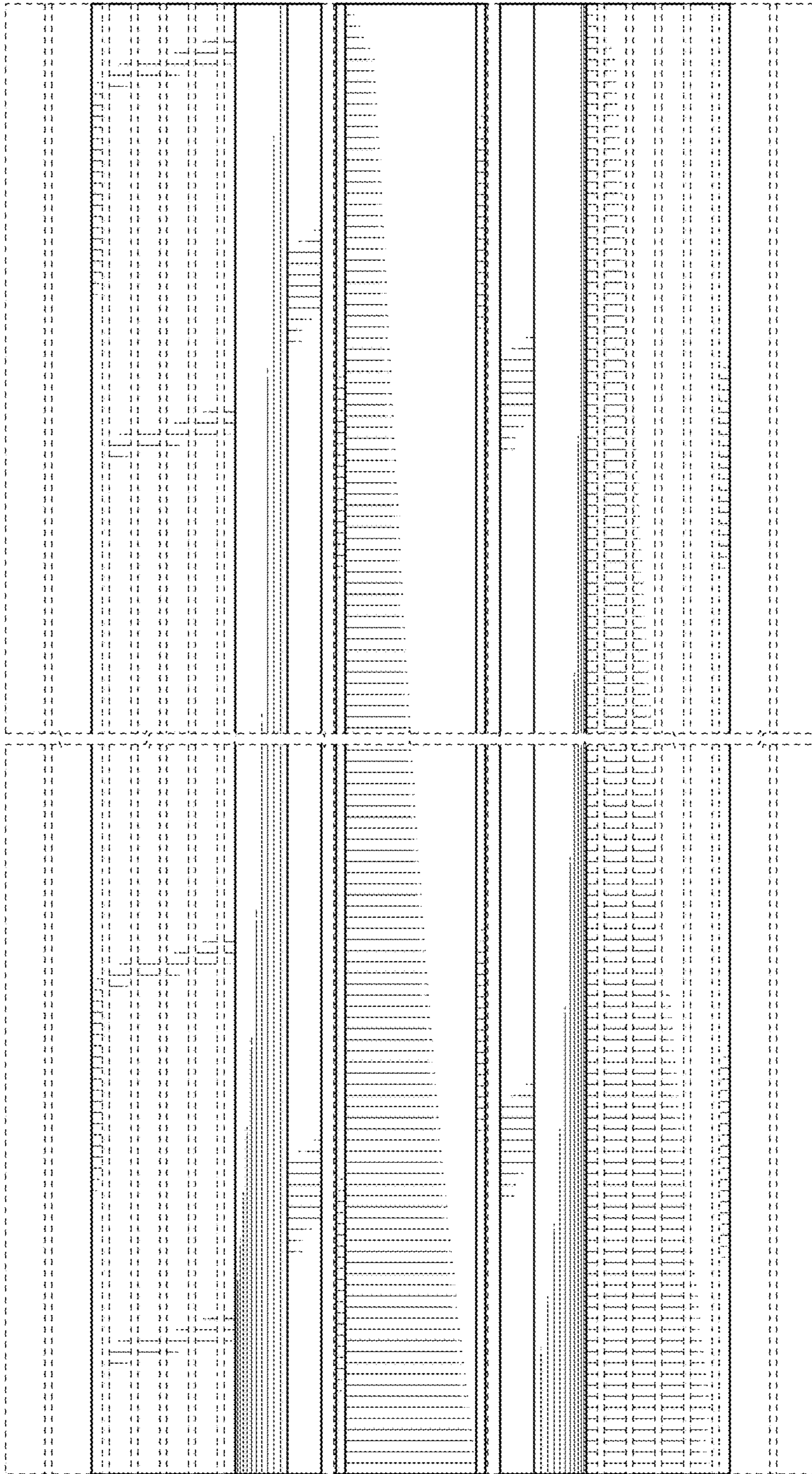


FIG. 2

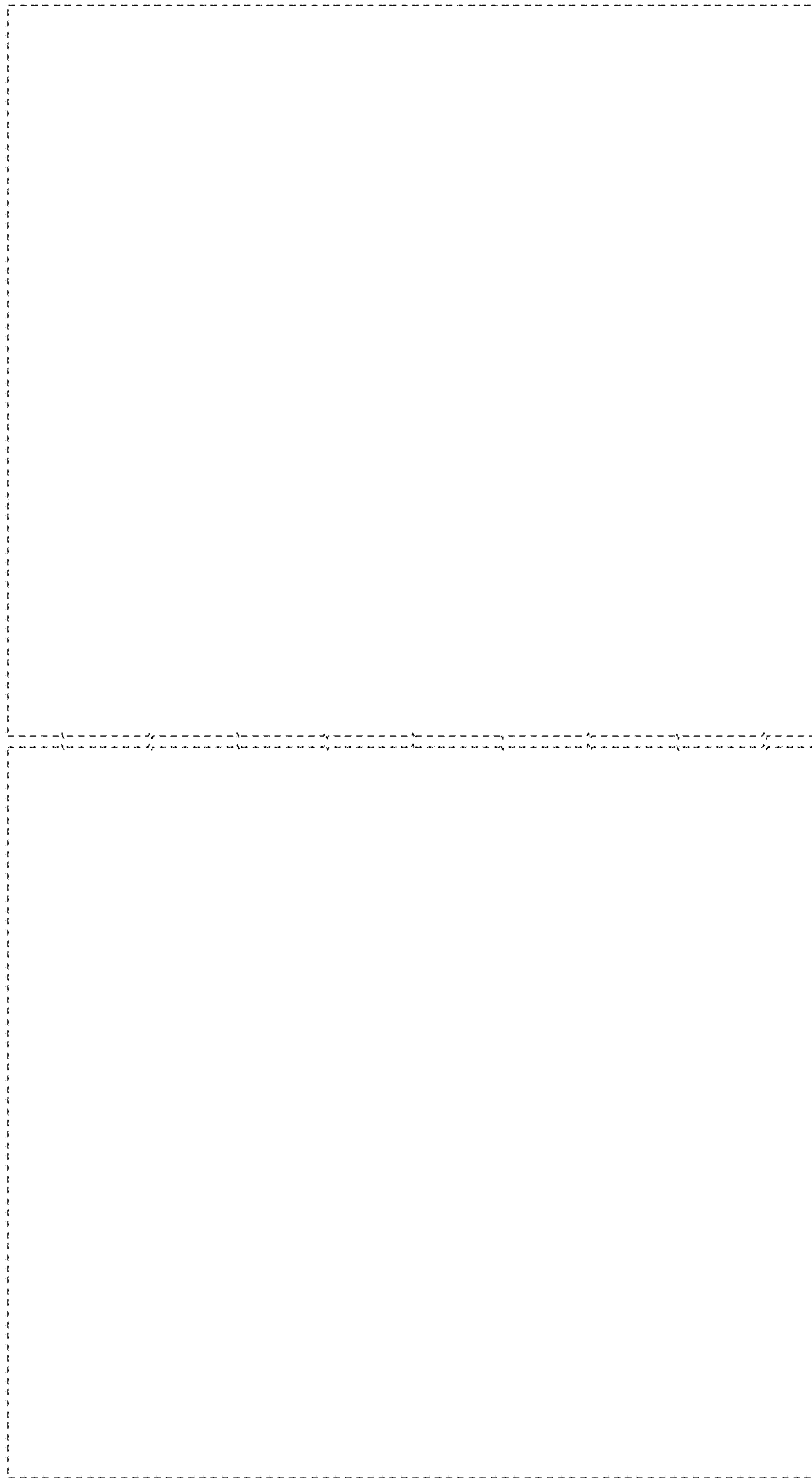


FIG. 3

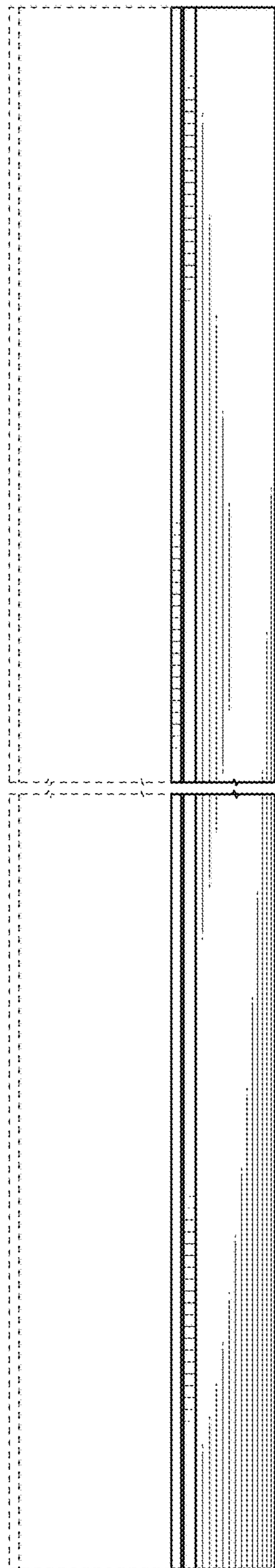


FIG. 4

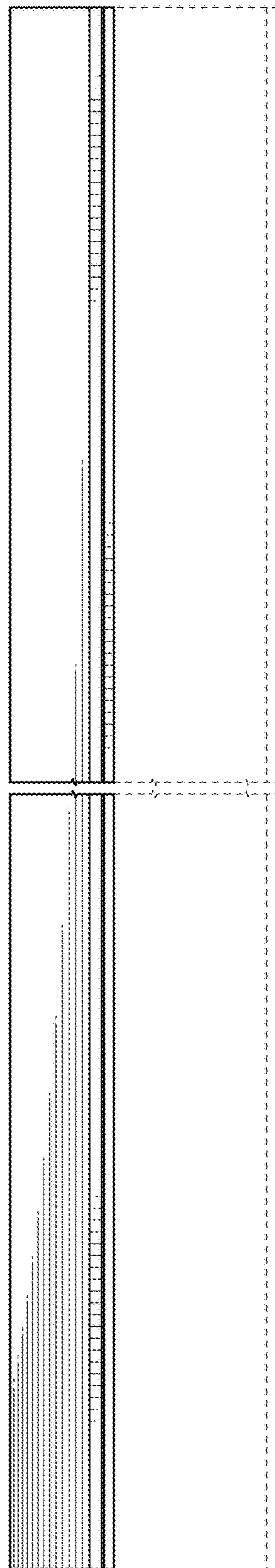


FIG. 5

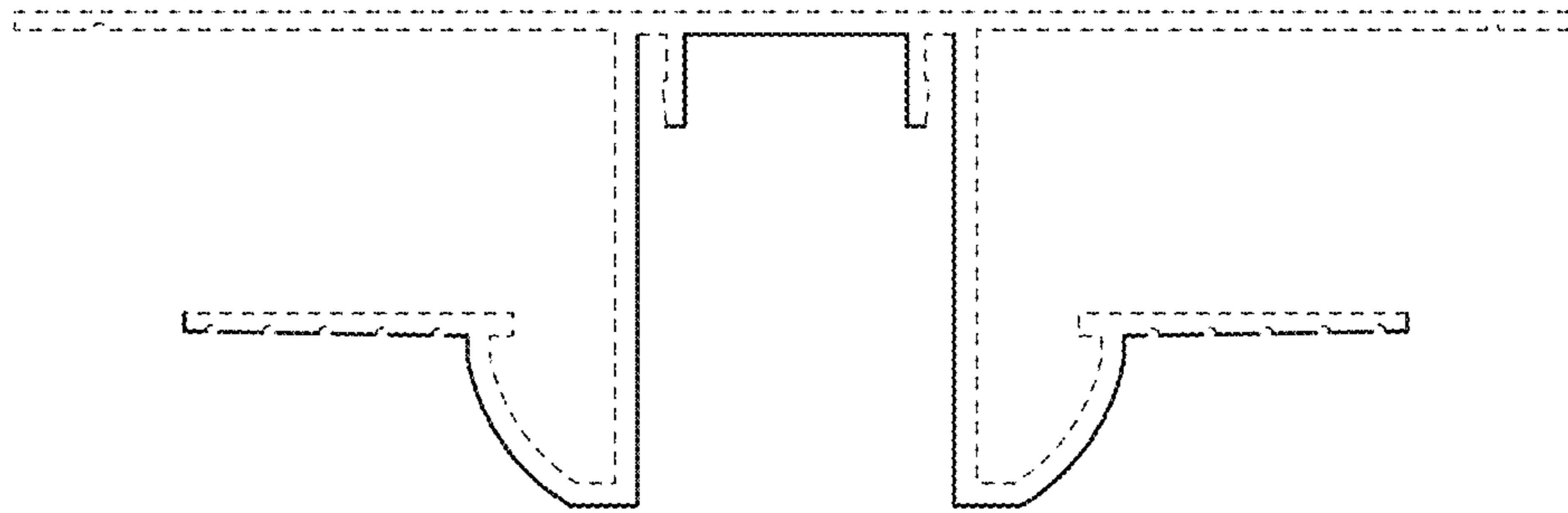


FIG. 6

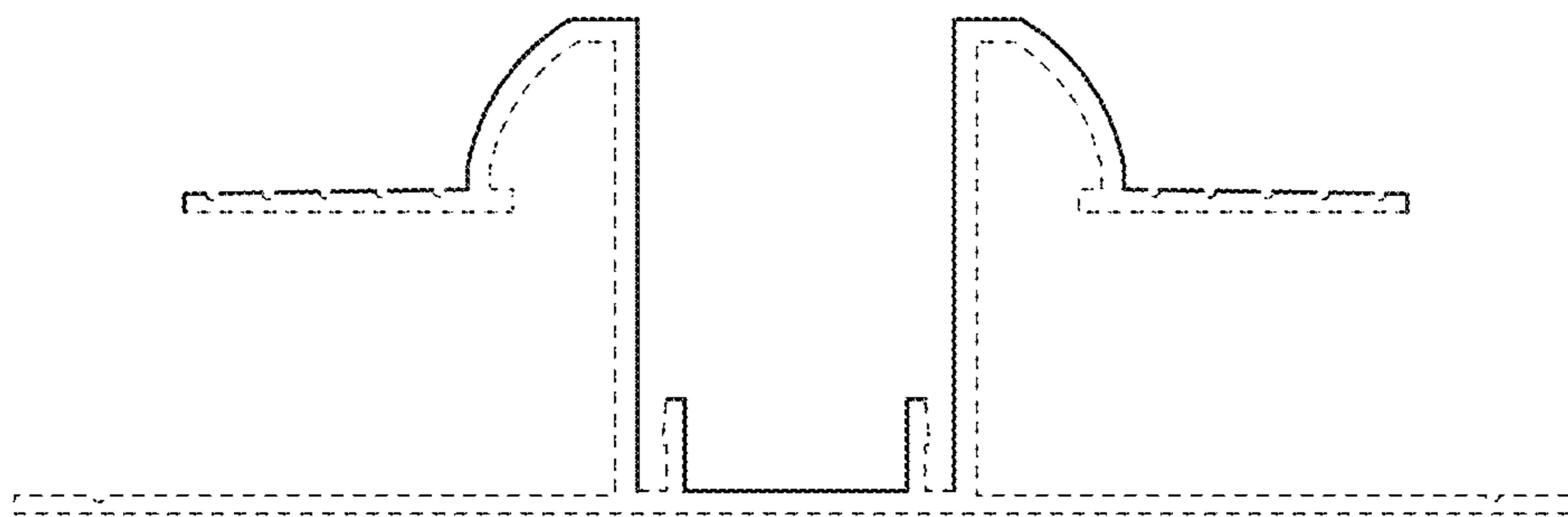


FIG. 7