



US00D822851S

(12) **United States Design Patent** (10) **Patent No.:** **US D822,851 S**
Conner (45) **Date of Patent:** **** Jul. 10, 2018**

(54) **LADDER**

D759,841 S * 6/2016 Badillo D25/64
D788,327 S * 5/2017 Click D25/64
2004/0069566 A1* 4/2004 Bareket B60R 3/00
182/97

(71) Applicant: **FURION FABRICATION, LLC,**
Beaverton, OR (US)

* cited by examiner

(72) Inventor: **Jeffrey R. Conner,** Beaverton, OR
(US)

Primary Examiner — Cynthia Ramirez

Assistant Examiner — Gino Colan

(73) Assignee: **FURION FABRICATION, LLC,**
Beaverton, OR (US)

(74) *Attorney, Agent, or Firm* — Schwabe, Williamson &
Wyatt, P.C.

(**) Term: **15 Years**

(57) **CLAIM**

(21) Appl. No.: **29/604,266**

I claim the ornamental design for a ladder, as shown and
described.

(22) Filed: **May 16, 2017**

DESCRIPTION

(51) **LOC (11) Cl.** **25-04**

(52) **U.S. Cl.**
USPC **D25/64**

(58) **Field of Classification Search**
USPC D25/62-65, 68, 69; 182/127, 194, 93,
182/206, 33, 180.1, 222; D12/400
CPC . E06C 1/393; E06C 1/387; E06C 1/39; E06C
1/383; E06C 1/14
See application file for complete search history.

FIG. 1 is a perspective view of a ladder, showing my new
design;
FIG. 2 is a front view thereof;
FIG. 3 is a back view thereof;
FIG. 4 is a left side view thereof;
FIG. 5 is a right side view thereof;
FIG. 6 is a top view thereof;
FIG. 7 is a bottom view thereof; and,
FIG. 8 is an in-use image of the ladder on a van.

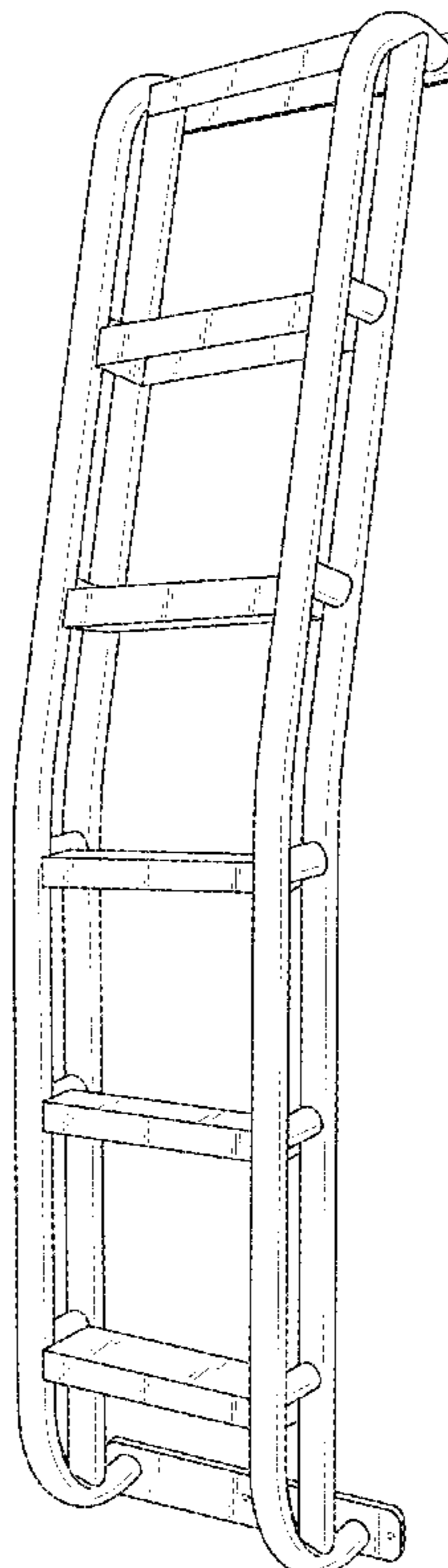
The broken lines shown in the figures are for the purpose of
illustrating a portion of the ladder that forms no part of the
claimed design. The broken lines showing a portion of a van
in FIG. 8 are for the purpose of illustrating environment and
form no part of the claimed design.

(56) **References Cited**

U.S. PATENT DOCUMENTS

D442,289 S * 5/2001 Ziaylek, Jr. D25/64
D512,783 S * 12/2005 Badillo D25/64
D723,715 S * 3/2015 Lafontaine D25/64
D746,485 S * 12/2015 Wirtz D25/63

1 Claim, 8 Drawing Sheets



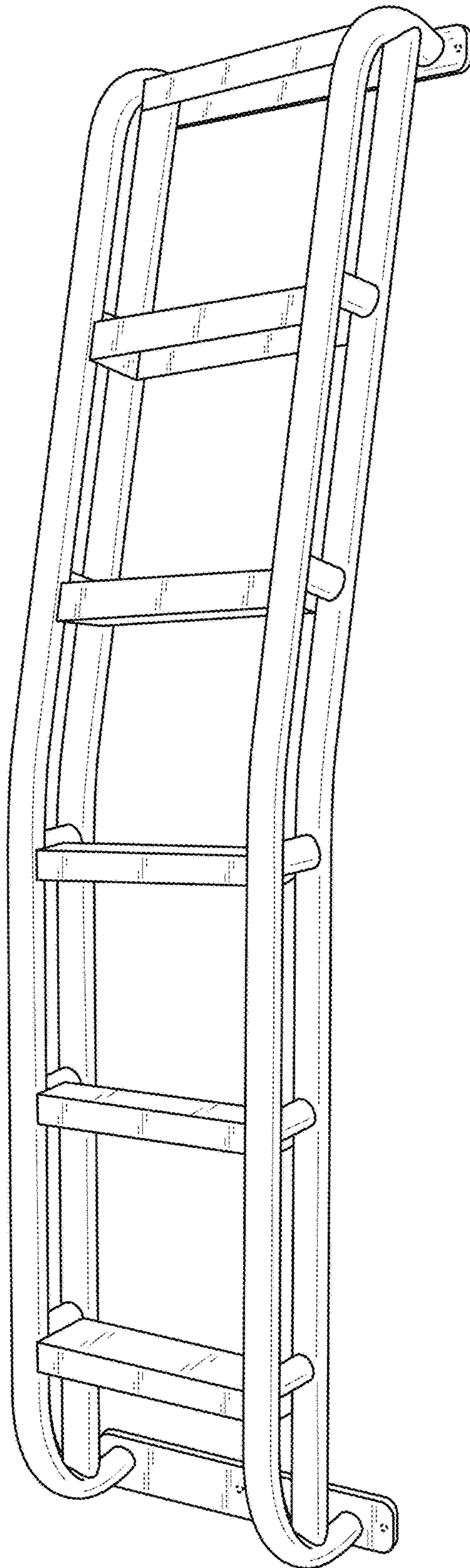


FIG. 1

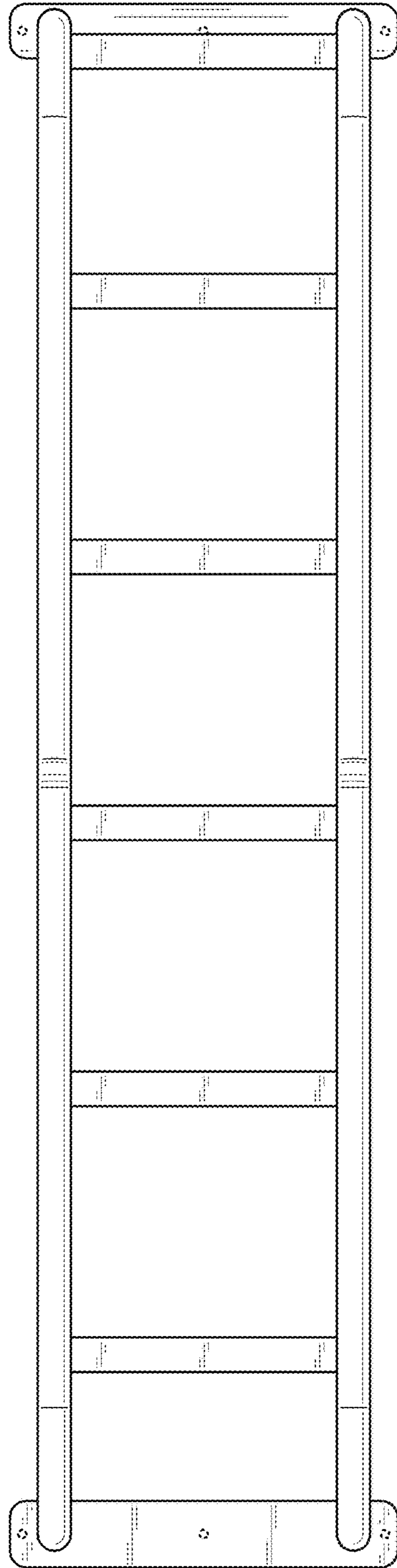


FIG. 2

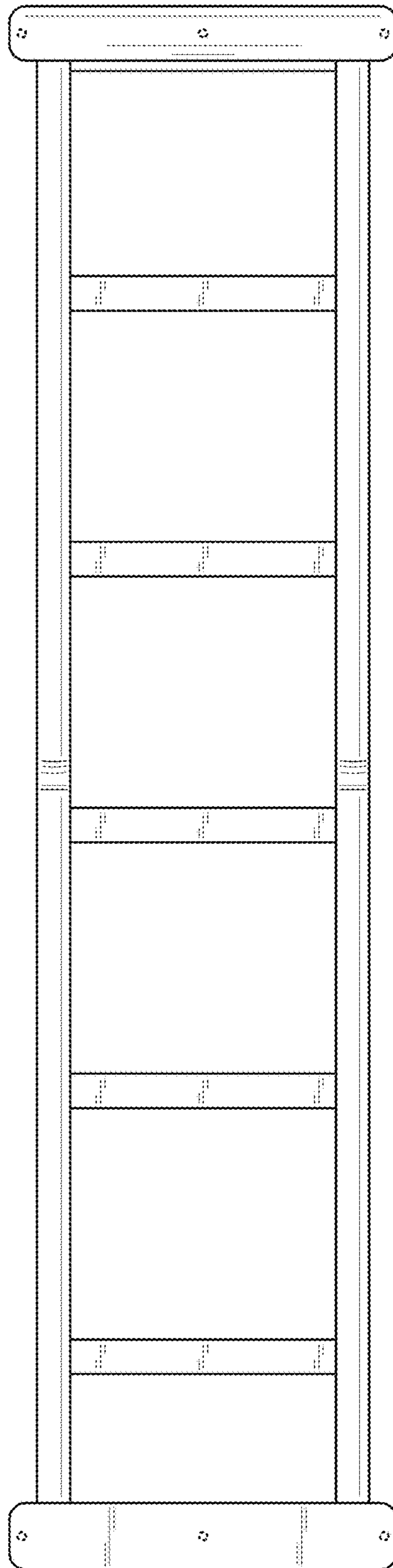


FIG. 3

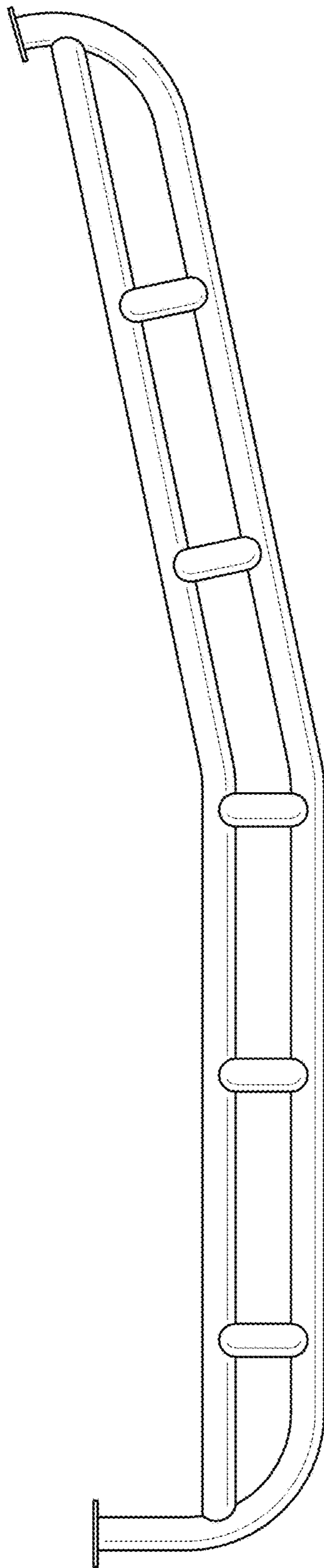


FIG. 4

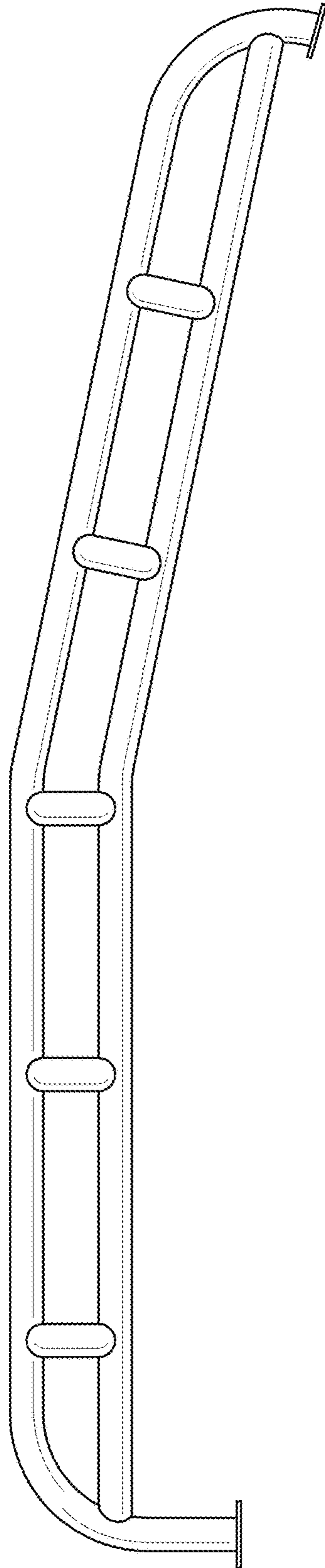


FIG. 5

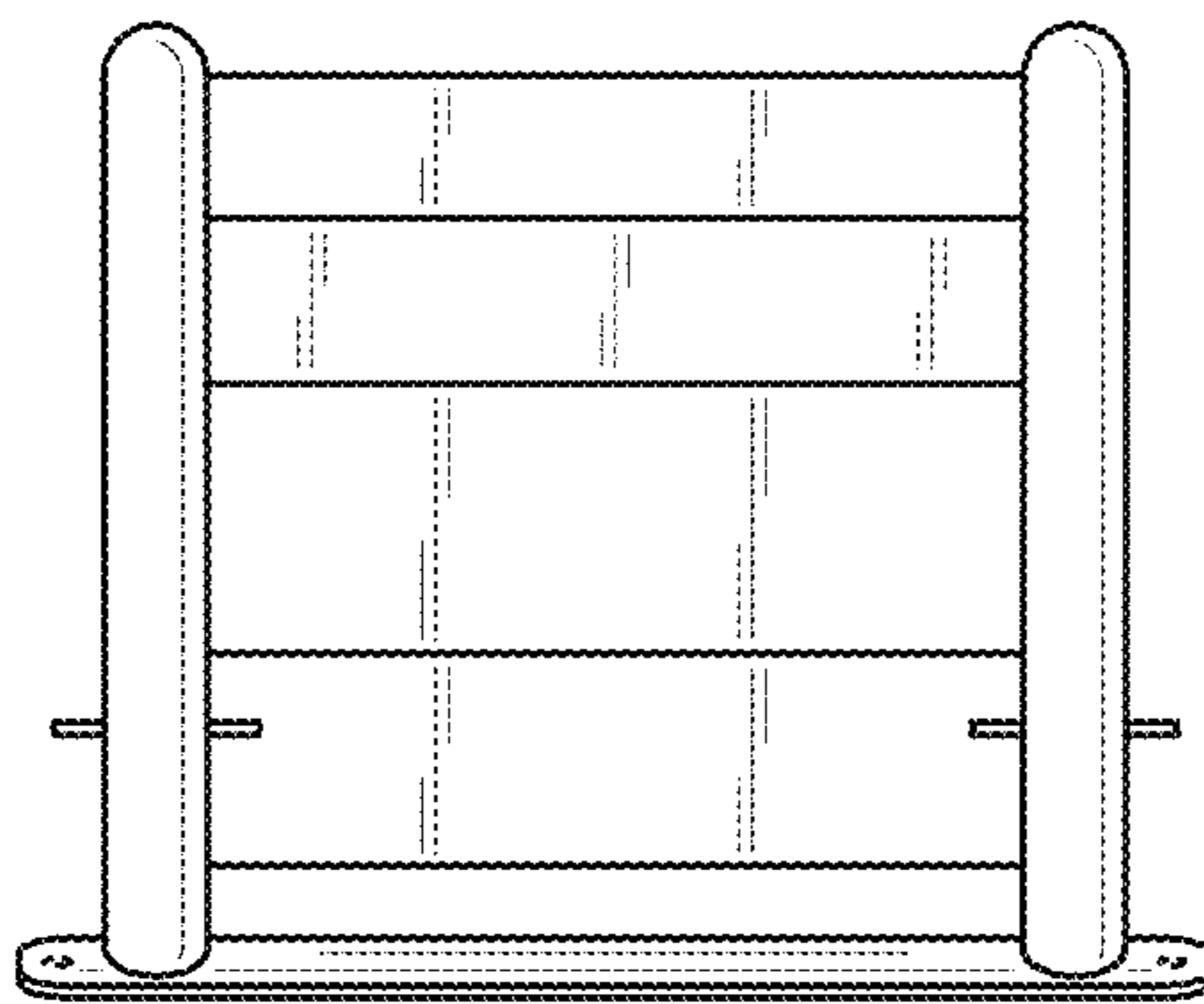


FIG. 6

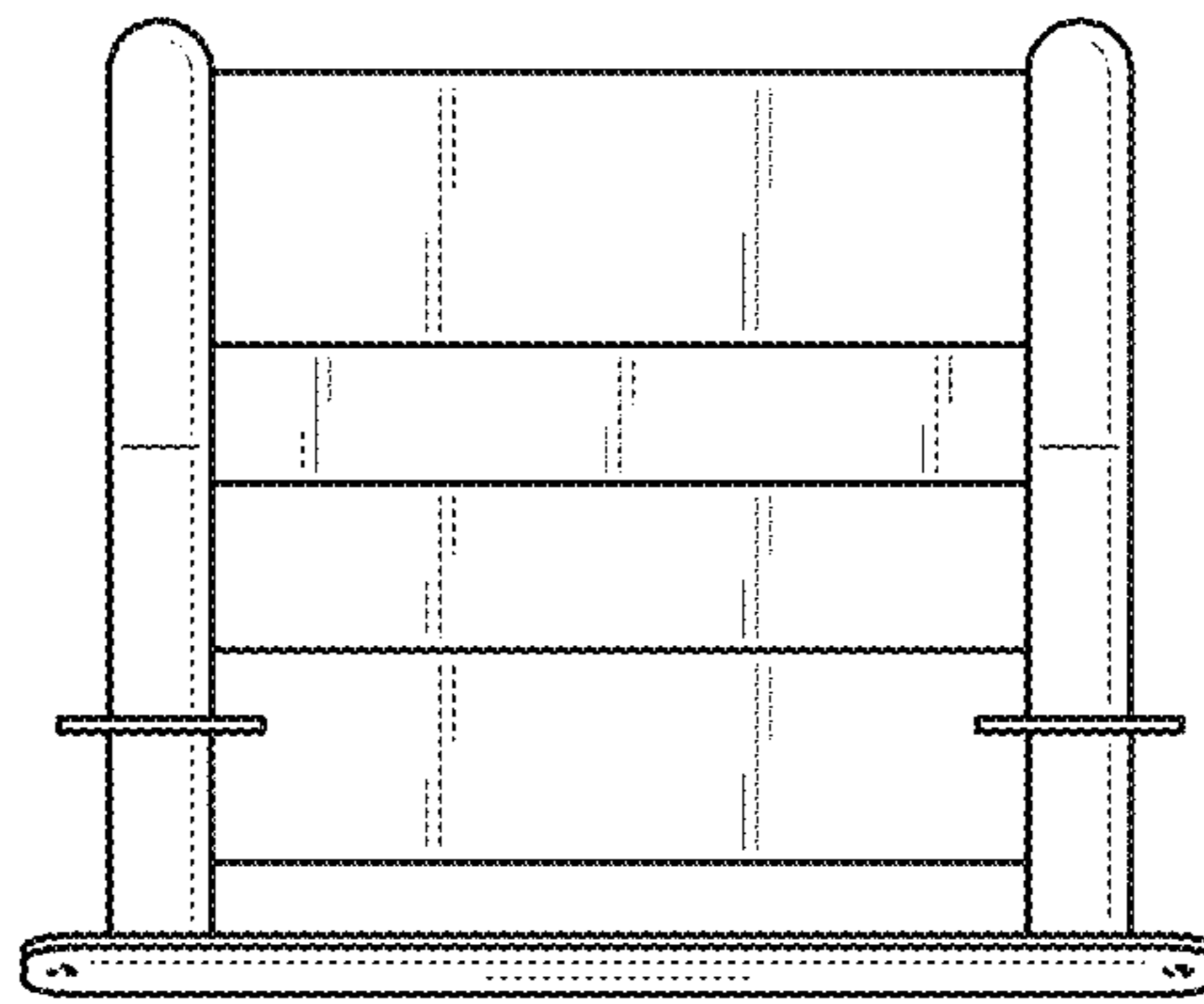


FIG. 7

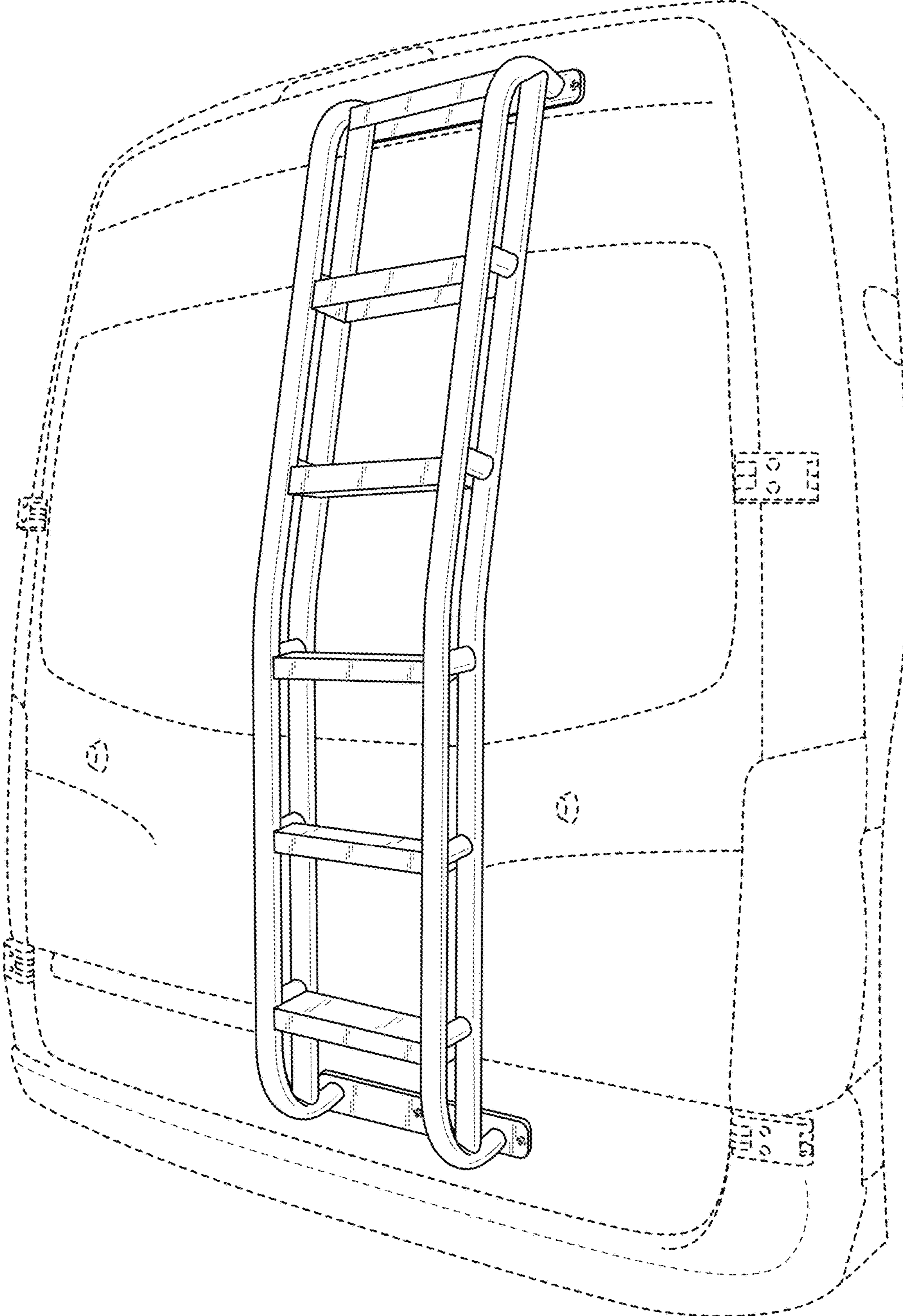


FIG. 8