



US00D822848S

(12) **United States Design Patent** (10) **Patent No.:** **US D822,848 S**
Lemke et al. (45) **Date of Patent:** **** Jul. 10, 2018**

(54) **CHROMATOGRAPH**

(71) Applicant: **Agilent Technologies, Inc.**, Santa Clara, CA (US)

(72) Inventors: **Gilbert Lemke**, Los Gatos, CA (US); **Thomas E. Price**, St. Georges, DE (US); **Jonathan Michael Frentzel**, Wilmington, DE (US); **Rafael Mulero**, Wilmington, DE (US)

(73) Assignee: **Agilent Technologies, Inc.**, Santa Clara, CA (US)

D637,931 S 5/2011 Kimura et al.
D646,398 S 10/2011 Oonuma et al.
D681,228 S * 4/2013 Oonuma D24/216
D692,157 S * 10/2013 Matoba D24/216
D693,713 S * 11/2013 Noda D10/81
D712,066 S 8/2014 Noda et al.
D724,753 S * 3/2015 Gutmann D24/216
D734,484 S 7/2015 Nishikawa et al.
D750,989 S 3/2016 Shimizu
2013/0288355 A1 10/2013 DeWitte et al.
2015/0040648 A1 2/2015 Matsubara

* cited by examiner

Primary Examiner — Anhdao Doan

(**) Term: **15 Years**

(57) **CLAIM**

(21) Appl. No.: **29/595,586**

We claim the ornamental design for a chromatograph, as shown and described.

(22) Filed: **Feb. 28, 2017**

DESCRIPTION

Related U.S. Application Data

(62) Division of application No. 29/533,485, filed on Jul. 17, 2015, now Pat. No. Des. 785,198.

(51) **LOC (11) Cl.** **24-01**

(52) **U.S. Cl.**
USPC **D24/232**

(58) **Field of Classification Search**
USPC D24/216–219, 231, 232, 233, 107, 169, D24/186; D10/81
CPC G01N 2035/00306; G01N 2035/00326; G01N 2035/00336; G01N 30/027; G01N 2030/8804; G01N 2030/8809; G01N 2030/8813; G01N 2030/8881
See application file for complete search history.

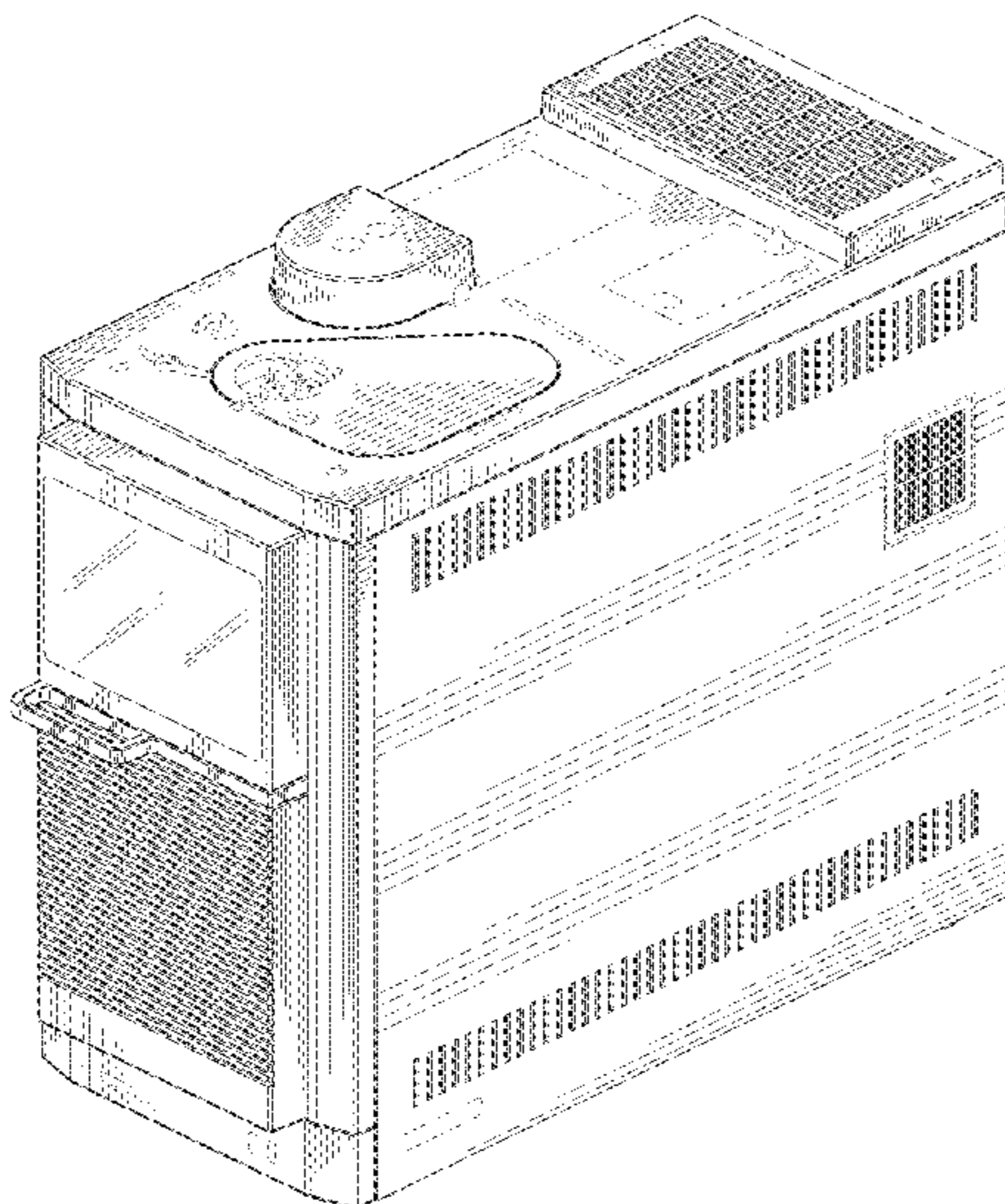
FIG. 1 is a front perspective view of a chromatograph according to one embodiment.
FIG. 2 is another front perspective view of the chromatograph illustrated in FIG. 1.
FIG. 3 is a front elevation view of the chromatograph illustrated in FIG. 1.
FIG. 4 is a rear elevation view of the chromatograph illustrated in FIG. 1.
FIG. 5 is a top plan view of the chromatograph illustrated in FIG. 1.
FIG. 6 is a bottom plan view of the chromatograph illustrated in FIG. 1.
FIG. 7 is a right side view of the chromatograph illustrated in FIG. 1; and,
FIG. 8 is a left side view of the chromatograph illustrated in FIG. 1.
In the drawings, the broken lines illustrate portions of the chromatograph that form no part of the claimed design.

(56) **References Cited**

U.S. PATENT DOCUMENTS

D364,576 S * 11/1995 Glaser D10/81
D422,925 S 4/2000 Glaser et al.

1 Claim, 8 Drawing Sheets



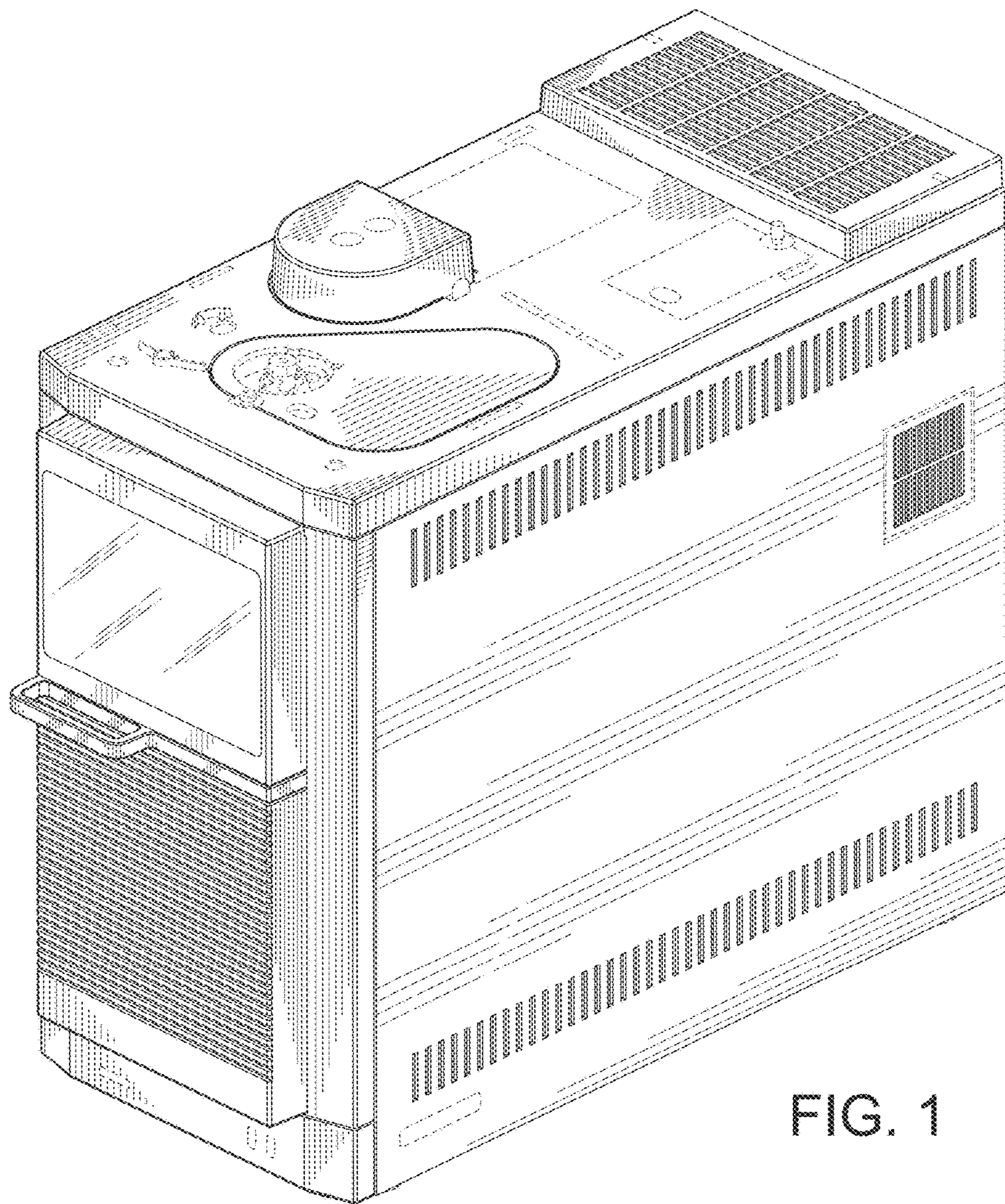


FIG. 1

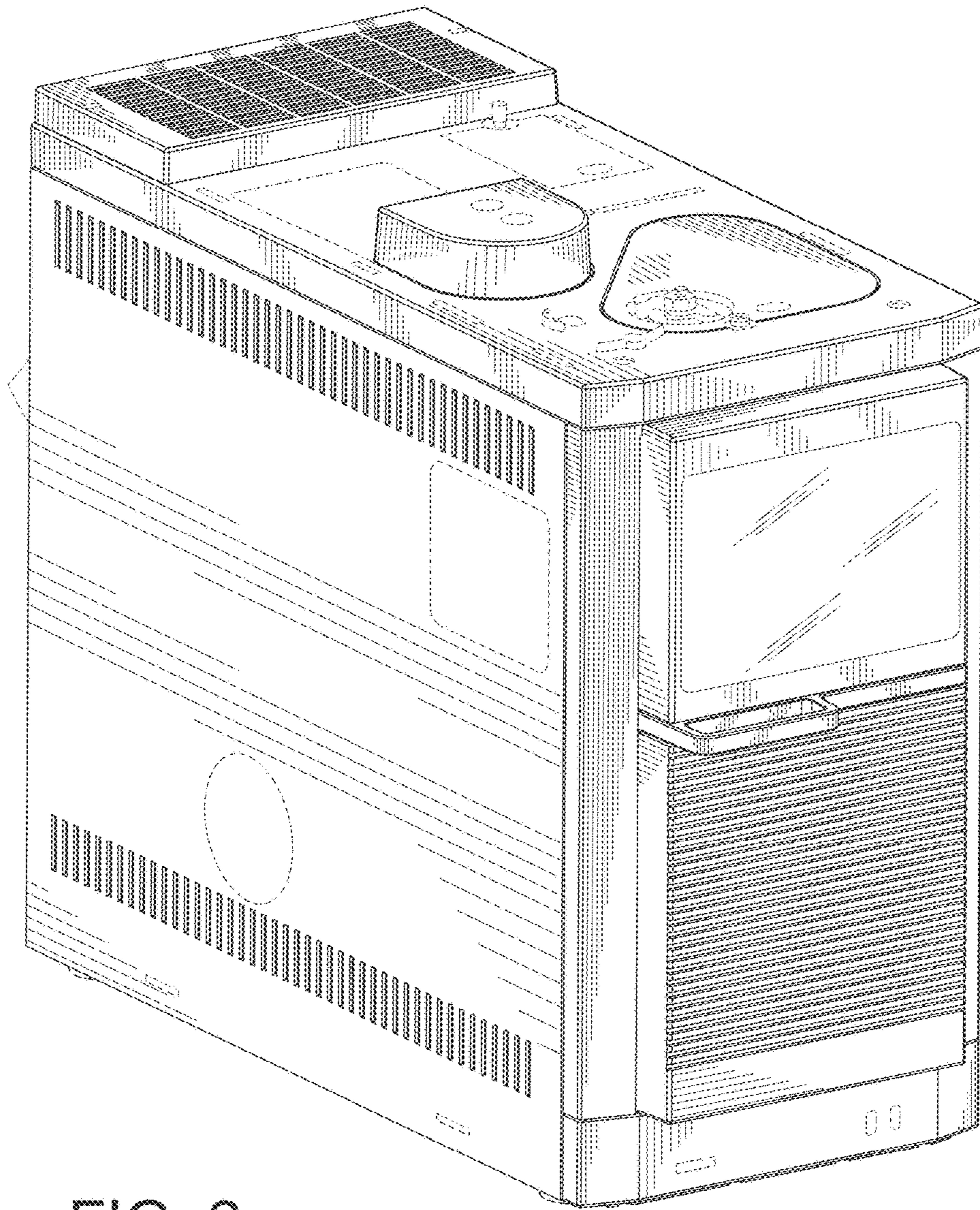


FIG. 2

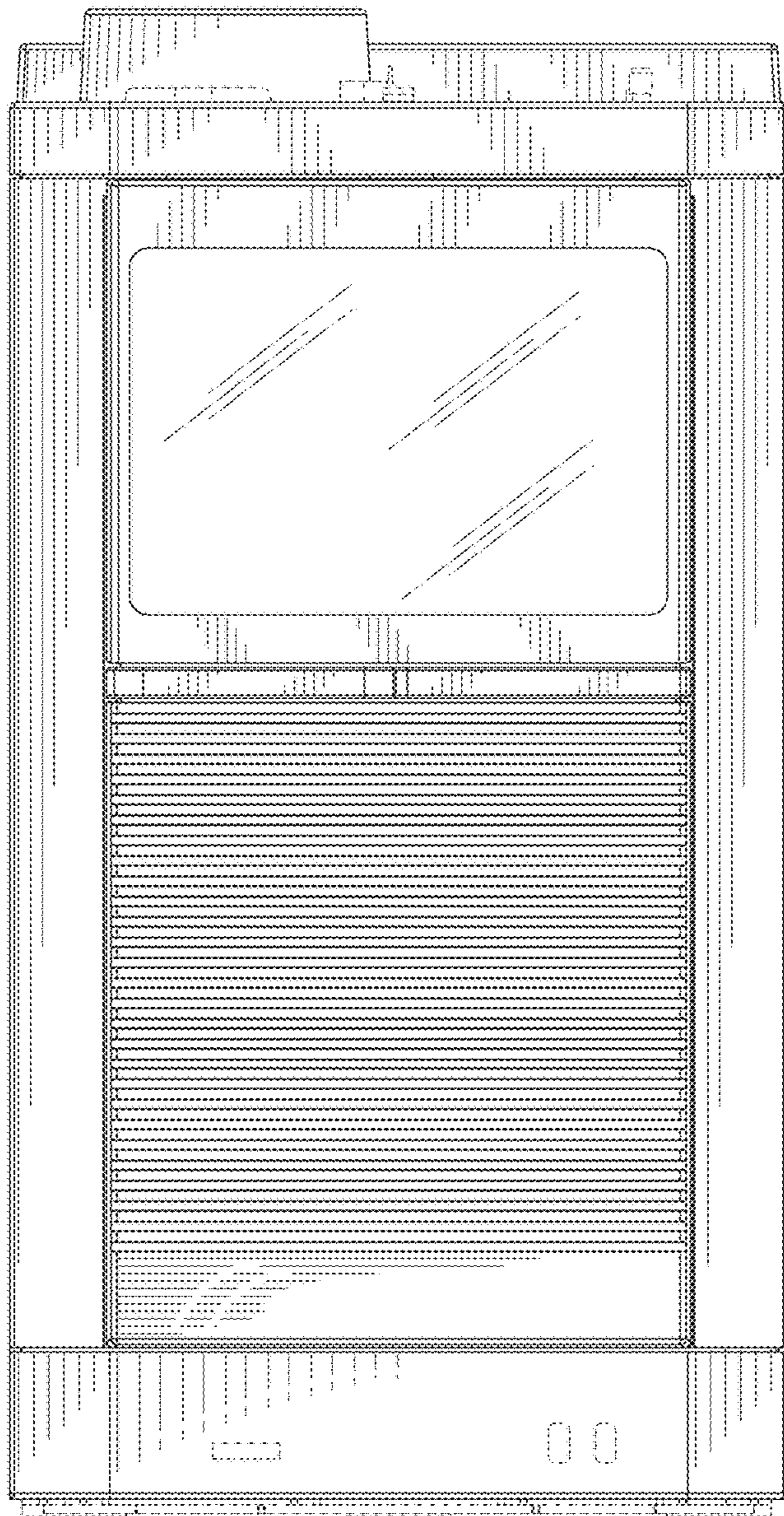


FIG. 3

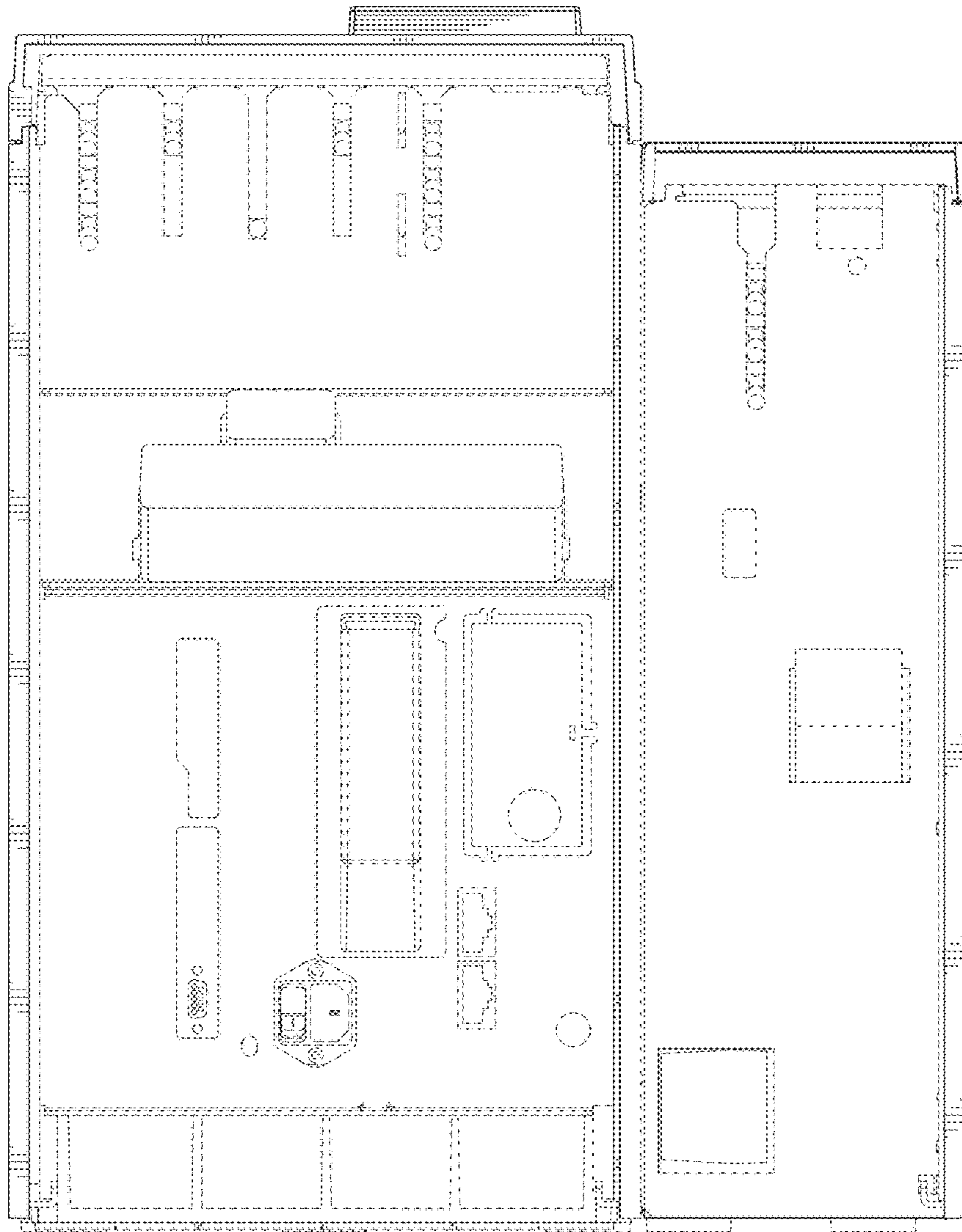


FIG. 4

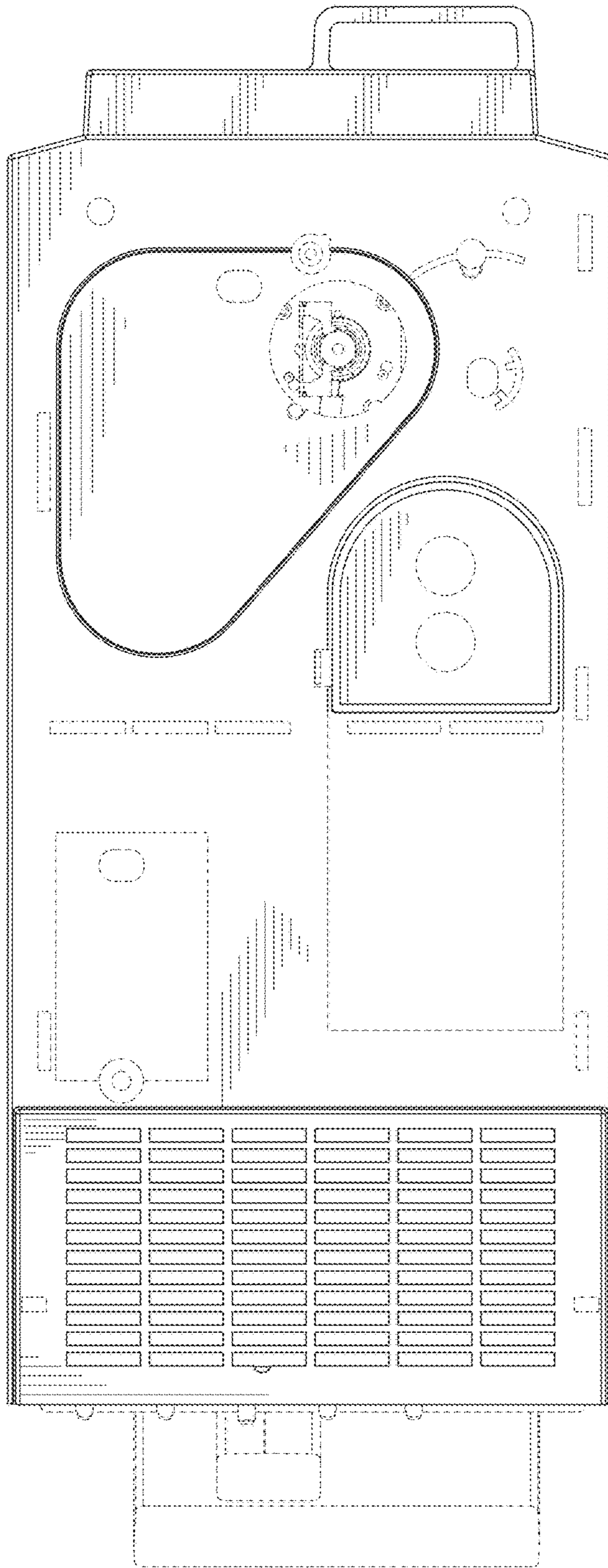


FIG. 5

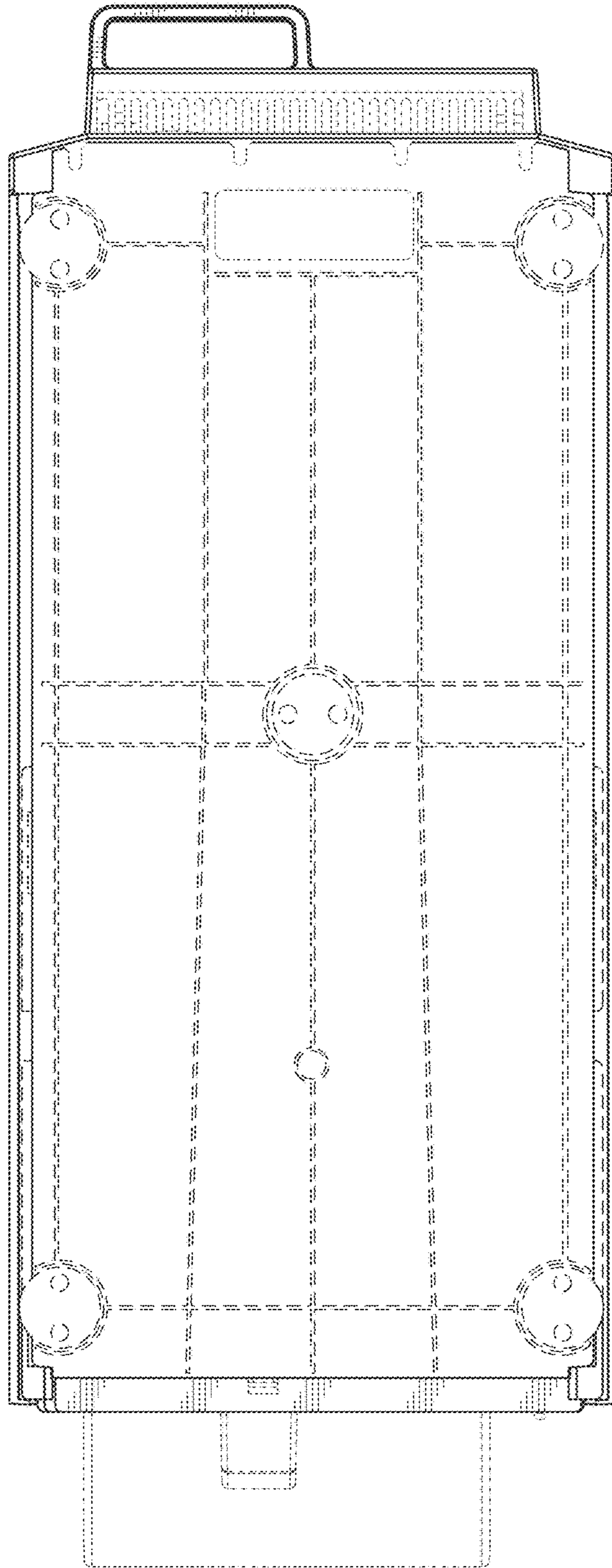


FIG. 6

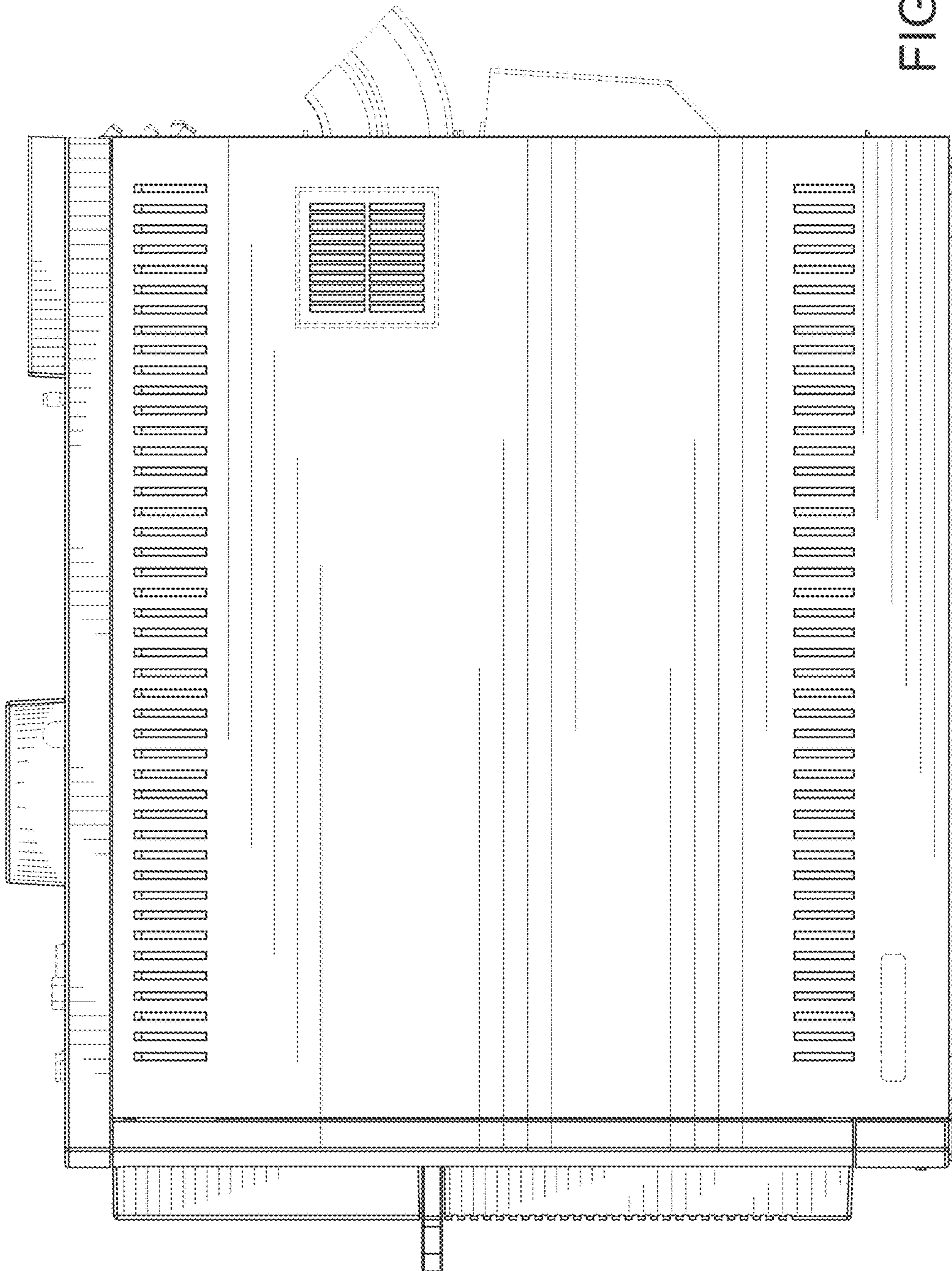


FIG. 7

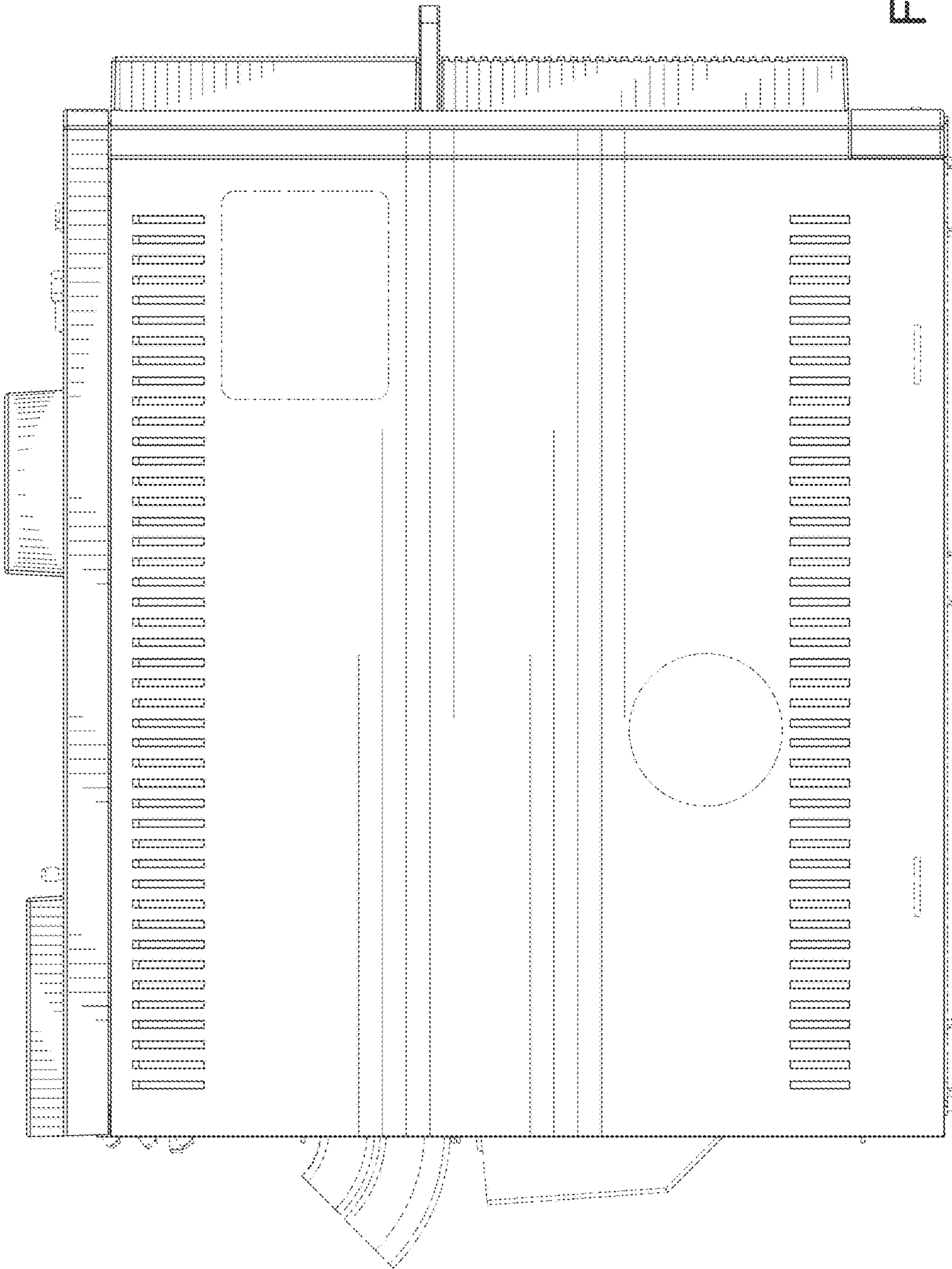


FIG. 8